



US00D518725S

(12) **United States Design Patent**
Eble

(10) **Patent No.:** **US D518,725 S**
(45) **Date of Patent:** **** Apr. 11, 2006**

(54) **CONTAINER**

(75) Inventor: **Raymond C. Eble**, Sugarloaf, PA (US)

(73) Assignee: **Harbison Corporation**, St. Louis, MO (US)

(**) Term: **14 Years**

(21) Appl. No.: **29/202,277**

(22) Filed: **Mar. 29, 2004**

(51) **LOC (8) Cl.** **09-01**

(52) **U.S. Cl.** **D9/502; D9/520**

(58) **Field of Classification Search** D9/500,
D9/501-504, 516, 529, 536-539, 549-550,
D9/557-558, 723-729; D7/597, 619.1, 608;
215/381-385, 379; 220/660, 666, 669, 675
See application file for complete search history.

(56) **References Cited**

U.S. PATENT DOCUMENTS

- D105,274 S * 7/1937 Fuerst
- D199,869 S * 12/1964 Trombley et al. D9/557
- D242,599 S * 12/1976 Plummer
- D243,816 S * 3/1977 Achenbach
- 4,247,012 A * 1/1981 Alberghini 215/373
- D269,500 S * 6/1983 Bit
- D272,889 S * 3/1984 Walton
- 4,497,855 A * 2/1985 Agrawal et al.
- D292,378 S * 10/1987 Brandt et al. D9/557
- D306,262 S * 2/1990 Bit
- 4,936,482 A * 6/1990 Gallagher et al. 220/669
- D322,936 S * 1/1992 Maginnis, Jr. D9/538
- D348,837 S * 7/1994 Feen
- D380,685 S * 7/1997 Steih D9/549
- 5,971,184 A * 10/1999 Krishnakumar et al. D9/520
- D427,910 S * 7/2000 Barnes et al.
- D428,814 S * 8/2000 Silvers et al. D9/502

- D432,423 S * 10/2000 Rashid
- 6,230,912 B1 * 5/2001 Rashid
- D445,689 S * 7/2001 McCutchan D9/503
- 6,273,282 B1 * 8/2001 Ogg et al. 215/381
- 6,296,131 B1 * 10/2001 Rashid
- D450,244 S * 11/2001 Rashid
- D453,003 S * 1/2002 Rashid D9/502
- D457,435 S * 5/2002 Rashid D9/502
- D467,503 S * 12/2002 Silvers et al.
- D477,232 S * 7/2003 Podlucky D9/557
- D495,602 S * 9/2004 Daly et al. D9/516
- 2002/0008077 A1 * 1/2002 Lane et al. 215/381

FOREIGN PATENT DOCUMENTS

- GB 2081888 * 7/1999
- WO DM/062219 * 9/2002

* cited by examiner

Primary Examiner—Carol Rademaker

Assistant Examiner—Dana Sipos

(74) *Attorney, Agent, or Firm*—McNees Wallace & Nurick LLC

(57) **CLAIM**

The ornamental design for a container, as shown and described.

DESCRIPTION

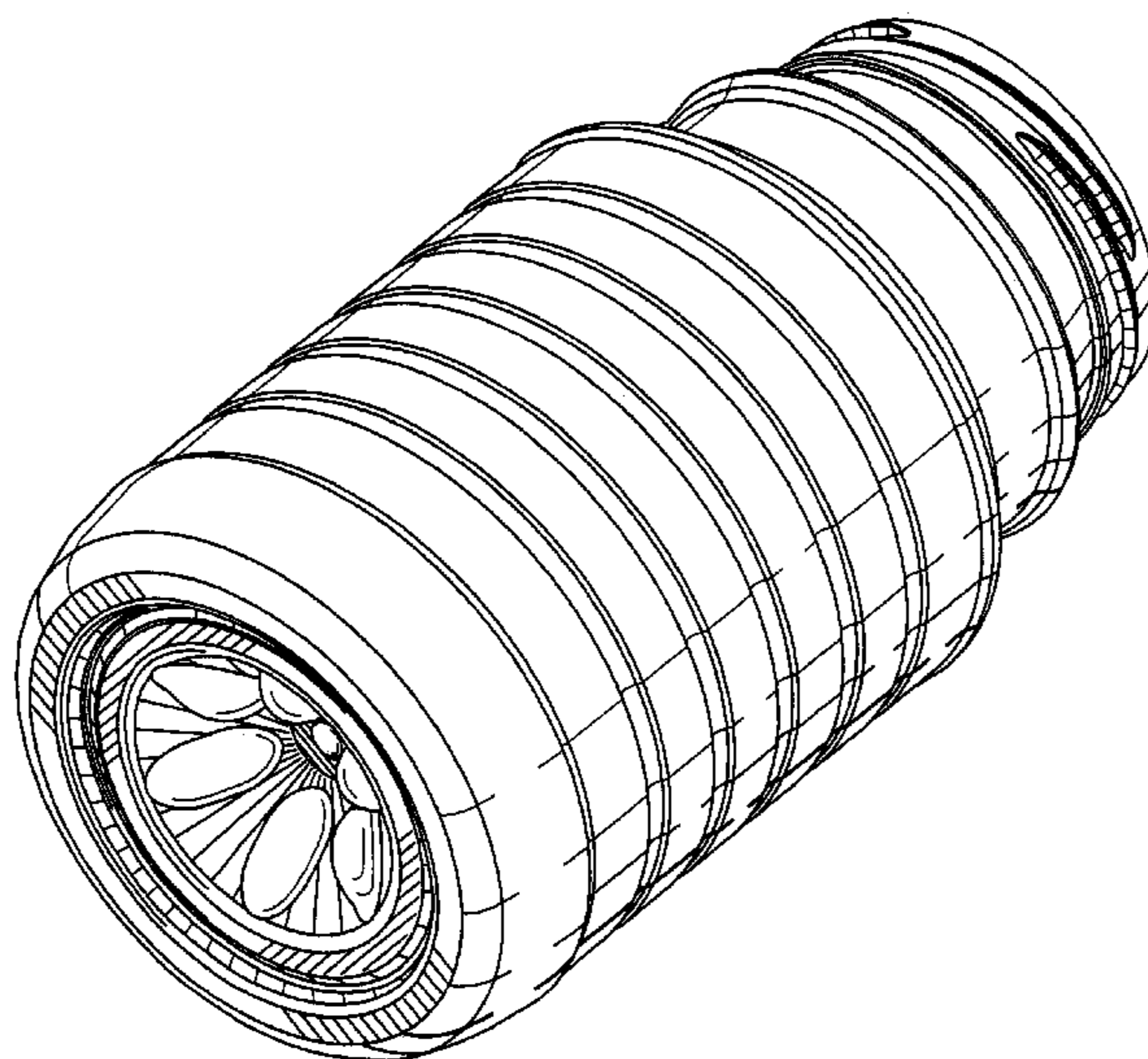
FIG. 1 is a front perspective view of a container showing my new design

FIG. 2 is a front elevational view thereof, shown at an enlarged scale, the rear, left side and right side elevational views being identical;

FIG. 3 is a bottom view thereof, shown at an enlarged scale; and,

FIG. 4 is a top view thereof.

1 Claim, 4 Drawing Sheets



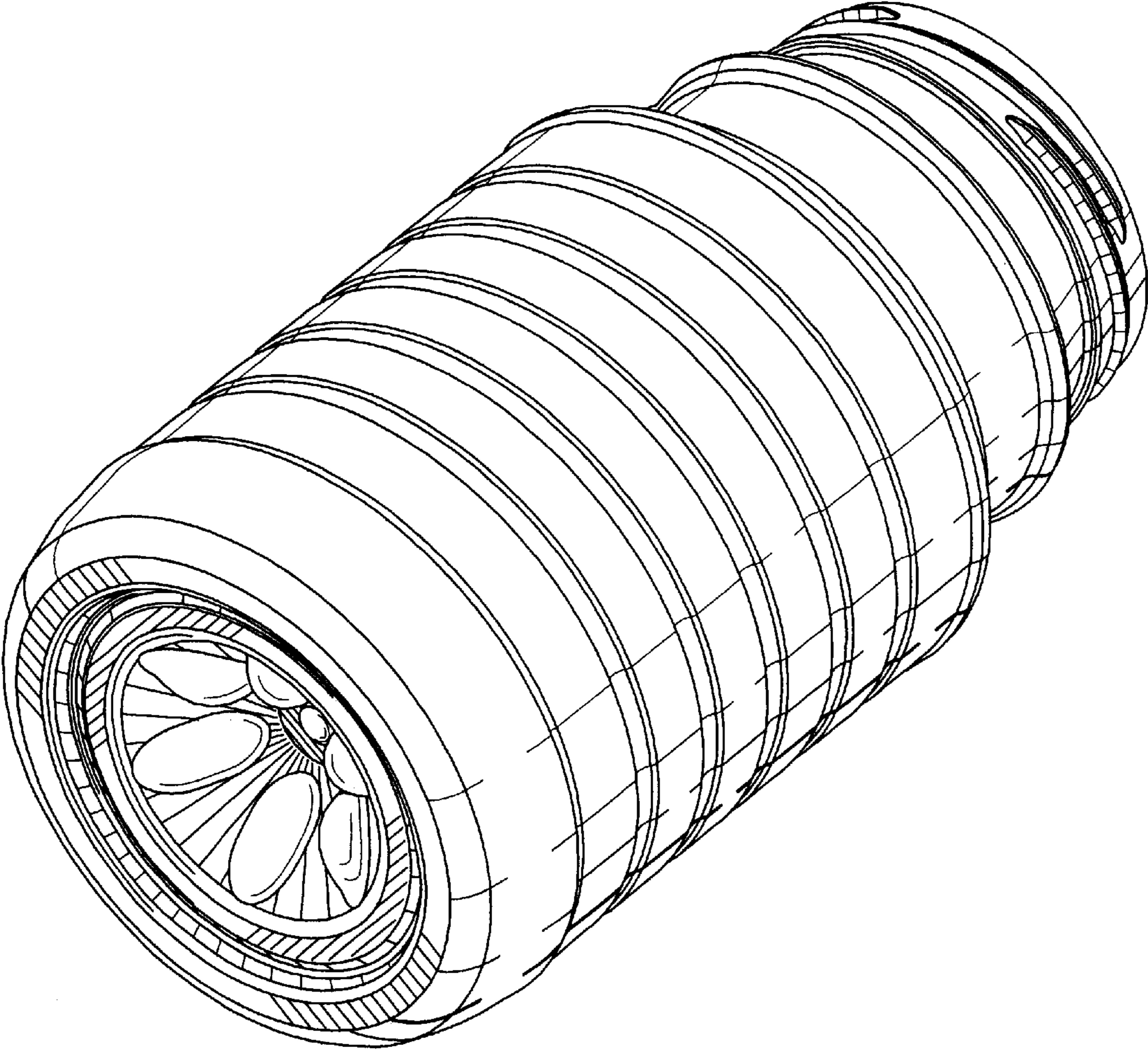


FIG. 1

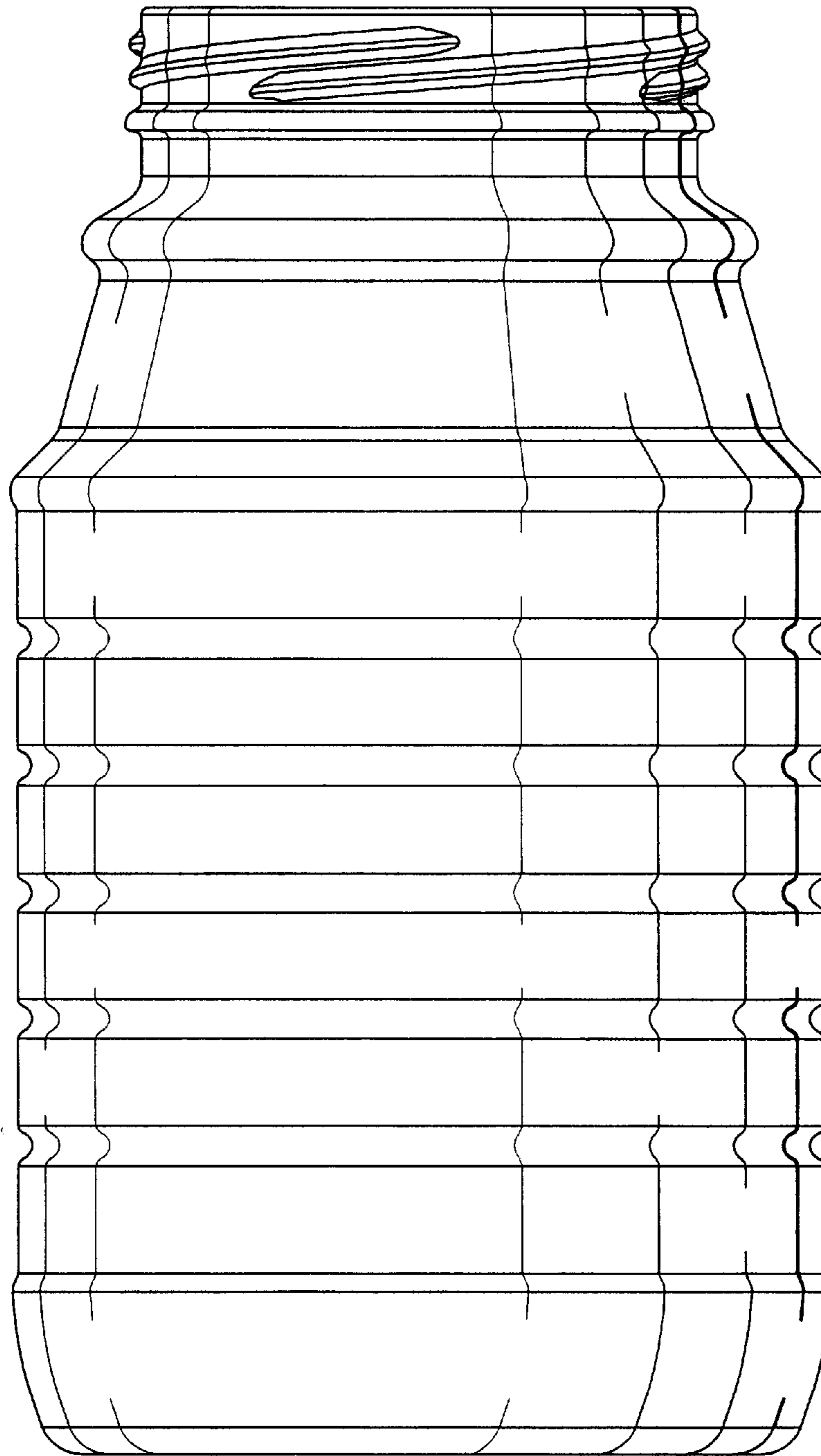


FIG. 2

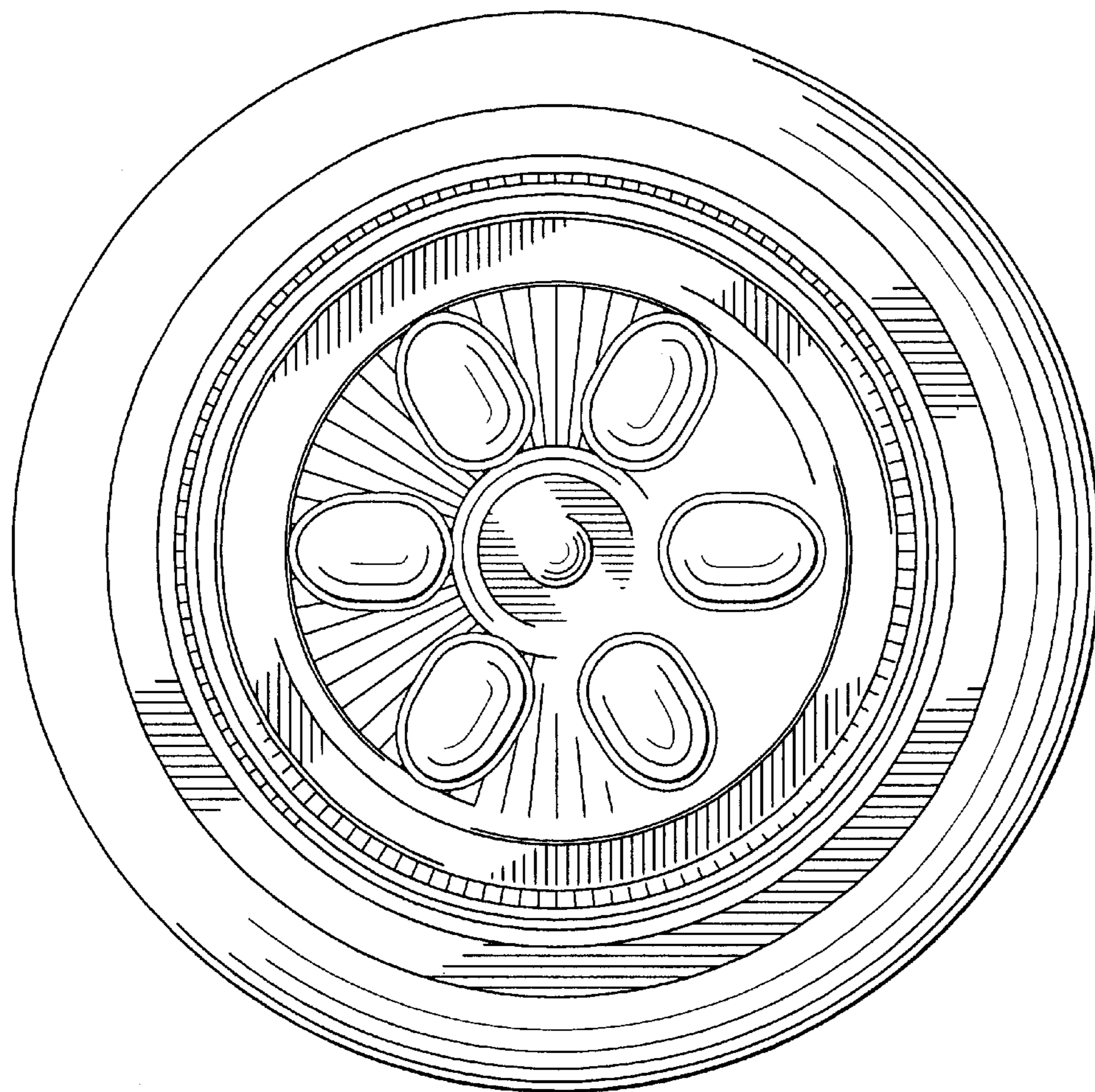


FIG. 3

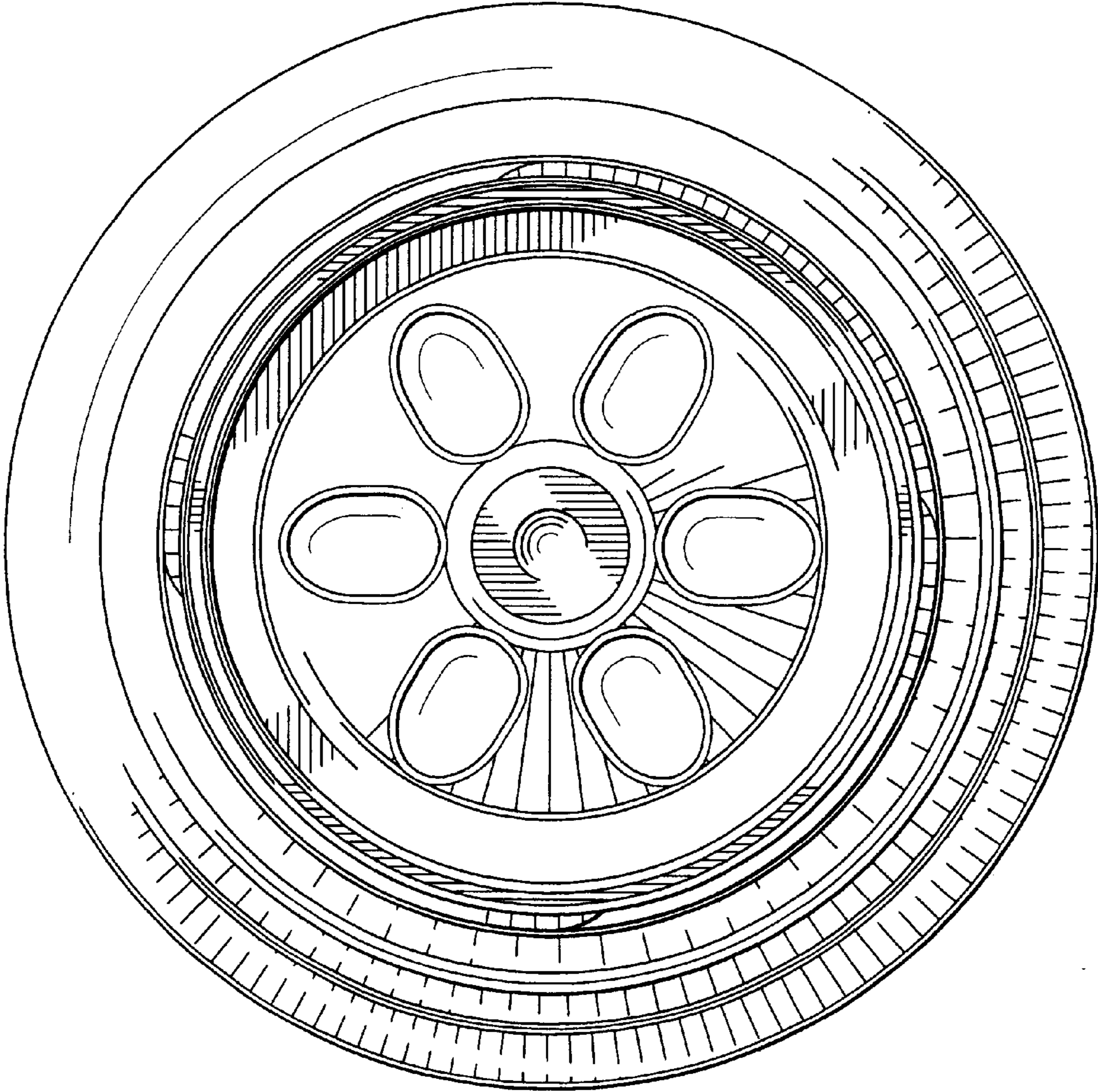


FIG. 4