



US00D518724S

(12) **United States Design Patent**
Arih

(10) **Patent No.:** **US D518,724 S**

(45) **Date of Patent:** **** Apr. 11, 2006**

(54) **BOTTLE**

(75) Inventor: **Igor Arih**, Ljubljana (SI)

(73) Assignee: **Fructal Zivilska Industrija d.d.**,
Ajdovscina (SI)

(**) Term: **14 Years**

(21) Appl. No.: **29/195,725**

(22) Filed: **Dec. 17, 2003**

(30) **Foreign Application Priority Data**

Jun. 18, 2003 (WO) DM/063 896

(51) **LOC (8) Cl.** **09-01**

(52) **U.S. Cl.** **D9/502; D9/550**

(58) **Field of Classification Search** D7/300.1,
D7/602, 619.1, 622; D9/500, 502-505, 516,
D9/518, 537-539, 549, 550, 556-558, 688-691;
D24/197; 220/660, 662, 666, 669, 671, 675
See application file for complete search history.

(56) **References Cited**

U.S. PATENT DOCUMENTS

D218,288 S * 8/1970 Hilliard D9/500
D242,527 S * 11/1976 Plummer D9/500
D252,798 S * 9/1979 Vosti et al. D9/500
D261,985 S * 11/1981 Fowles et al. D9/549
D270,520 S * 9/1983 Strand D9/500
D284,550 S * 7/1986 Parrack D9/538
4,950,514 A * 8/1990 Strassheimer 215/382
D345,503 S * 3/1994 Murphy D9/500
D390,468 S * 2/1998 Ito D9/503
D409,091 S * 5/1999 Beaver et al. D9/538
D412,281 S * 7/1999 Lindsay et al. D9/500

D420,594 S * 2/2000 Weinstein et al. D9/520
D422,915 S * 4/2000 Hestehave et al. D9/500
D467,179 S * 12/2002 Nelson et al. D9/503
D469,697 S * 2/2003 Herrin et al. D9/539
D479,999 S * 9/2003 Moore D9/500

FOREIGN PATENT DOCUMENTS

GB 1009114 * 4/1983
GB 2090490 * 4/2000
WO DM/053559 * 8/2000

OTHER PUBLICATIONS

BevNet: Honest Tea Launches Organic Tea in Plastic Bottle,
retrieved from internet Aug. 29, 2005 <<http://www.bevnet.com/news/2004/06-27-2004-honest_tea_pet_bottles_organic.asp>> Posted Jun. 27, 2004, © 2005 BevNET.com, Inc.*

* cited by examiner

Primary Examiner—Carol Rademaker

Assistant Examiner—Dana Sipos

(74) *Attorney, Agent, or Firm*—Jacobson Holman PLLC

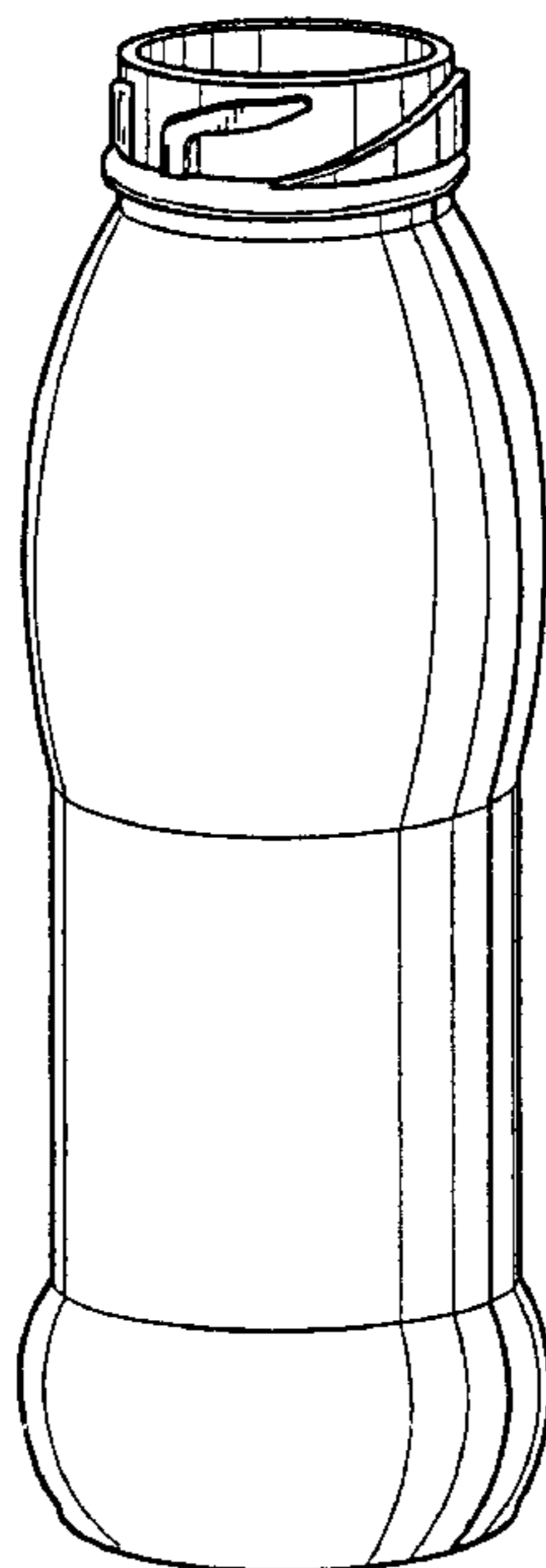
(57) **CLAIM**

The ornamental design for a bottle, as shown and described.

DESCRIPTION

FIG. 1 is a front perspective view showing my new design for a bottle;
FIG. 2 is a front view thereof, the rear view being identical;
FIG. 3 is a right, side view thereof, the left side being identical; and,
FIG. 4 is a top plan thereof.

1 Claim, 2 Drawing Sheets



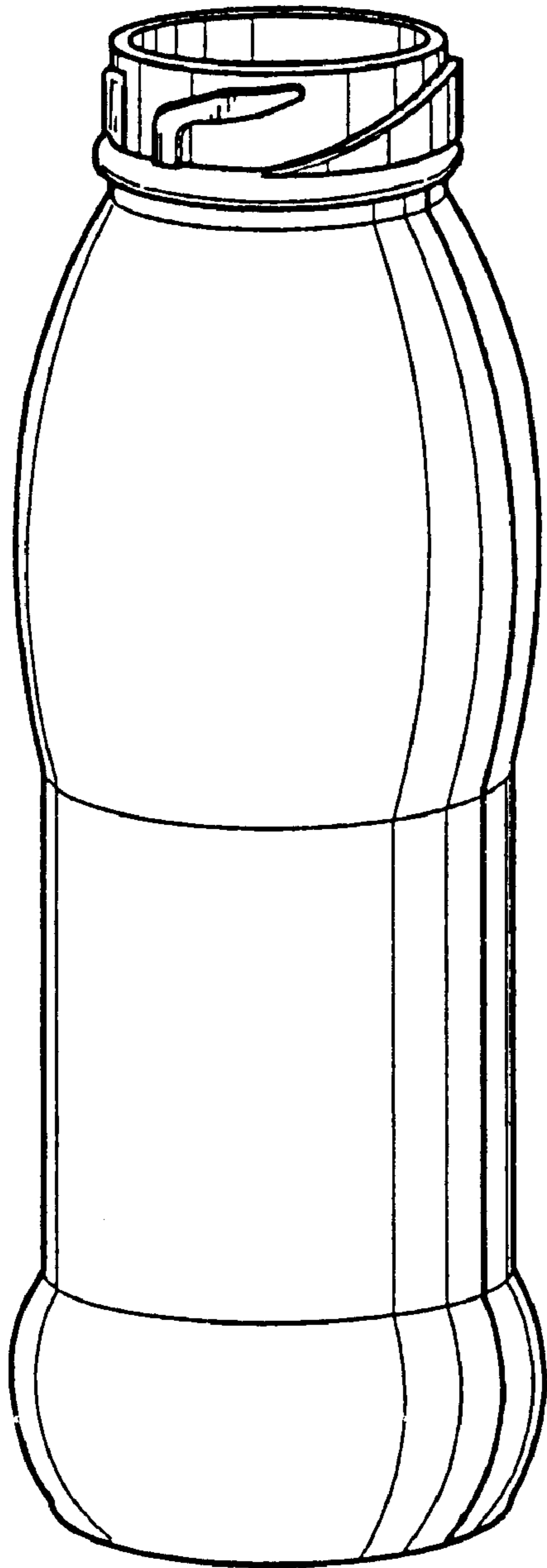


Fig.1

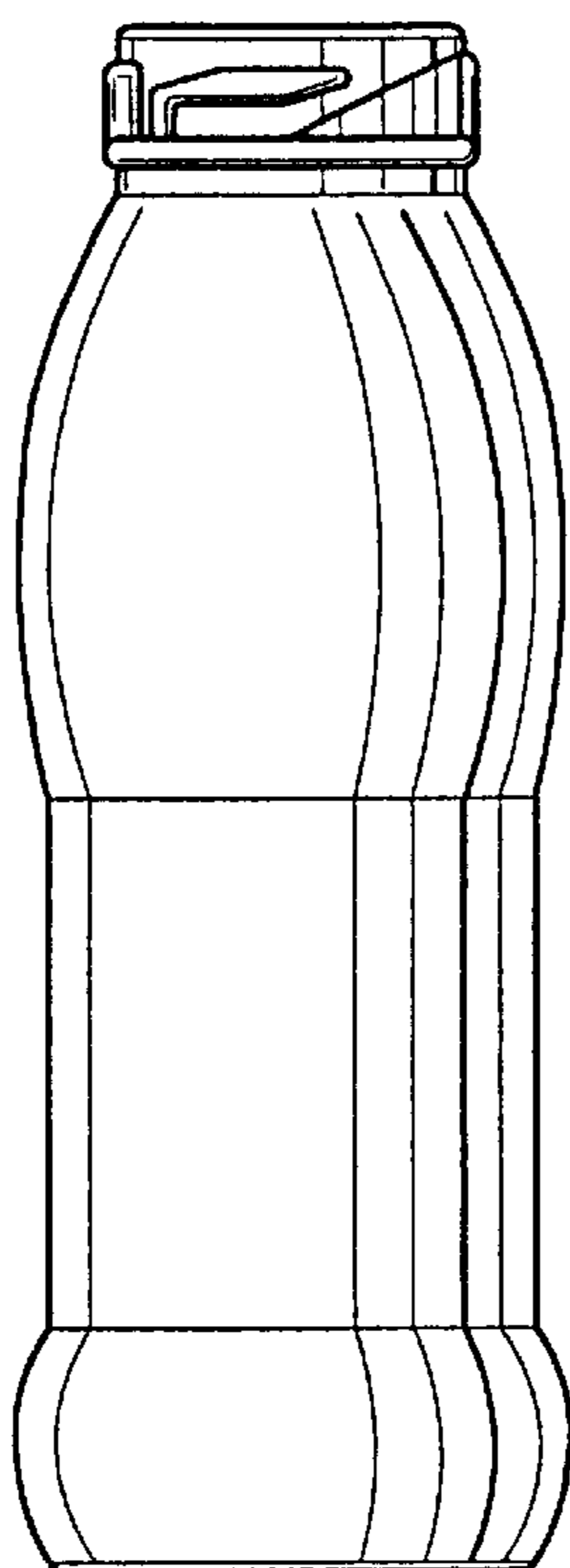


Fig.2

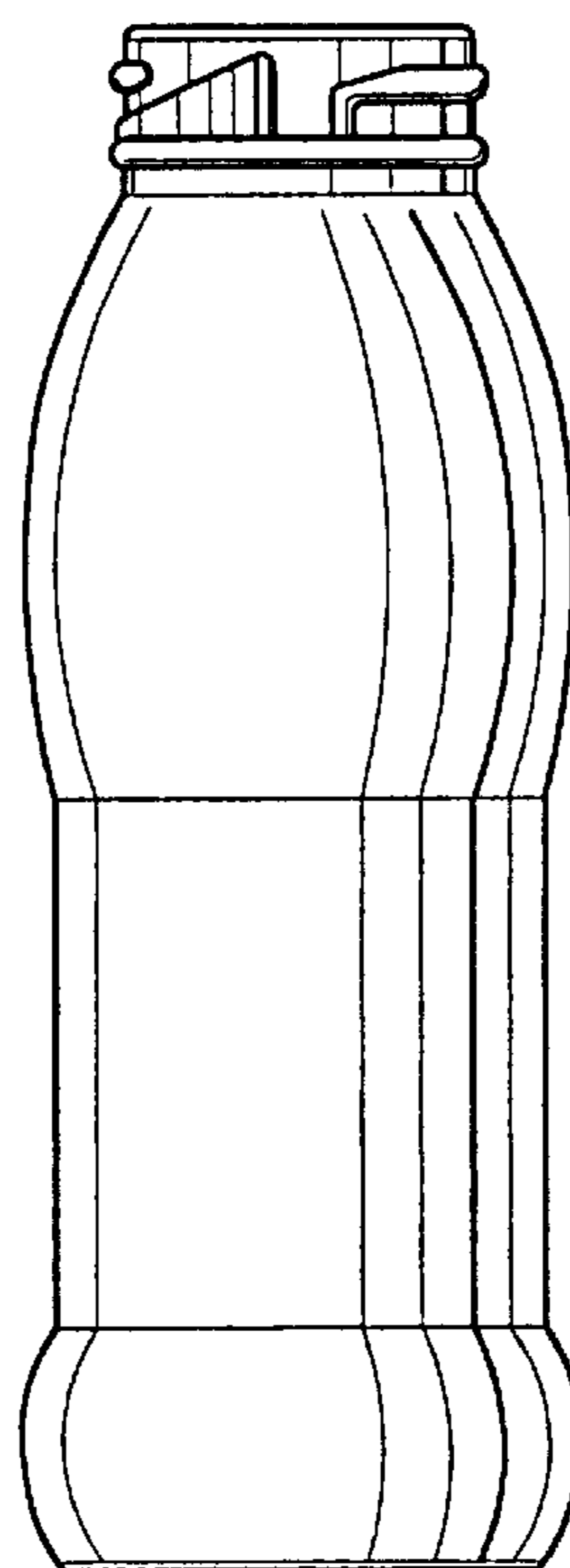


Fig.3

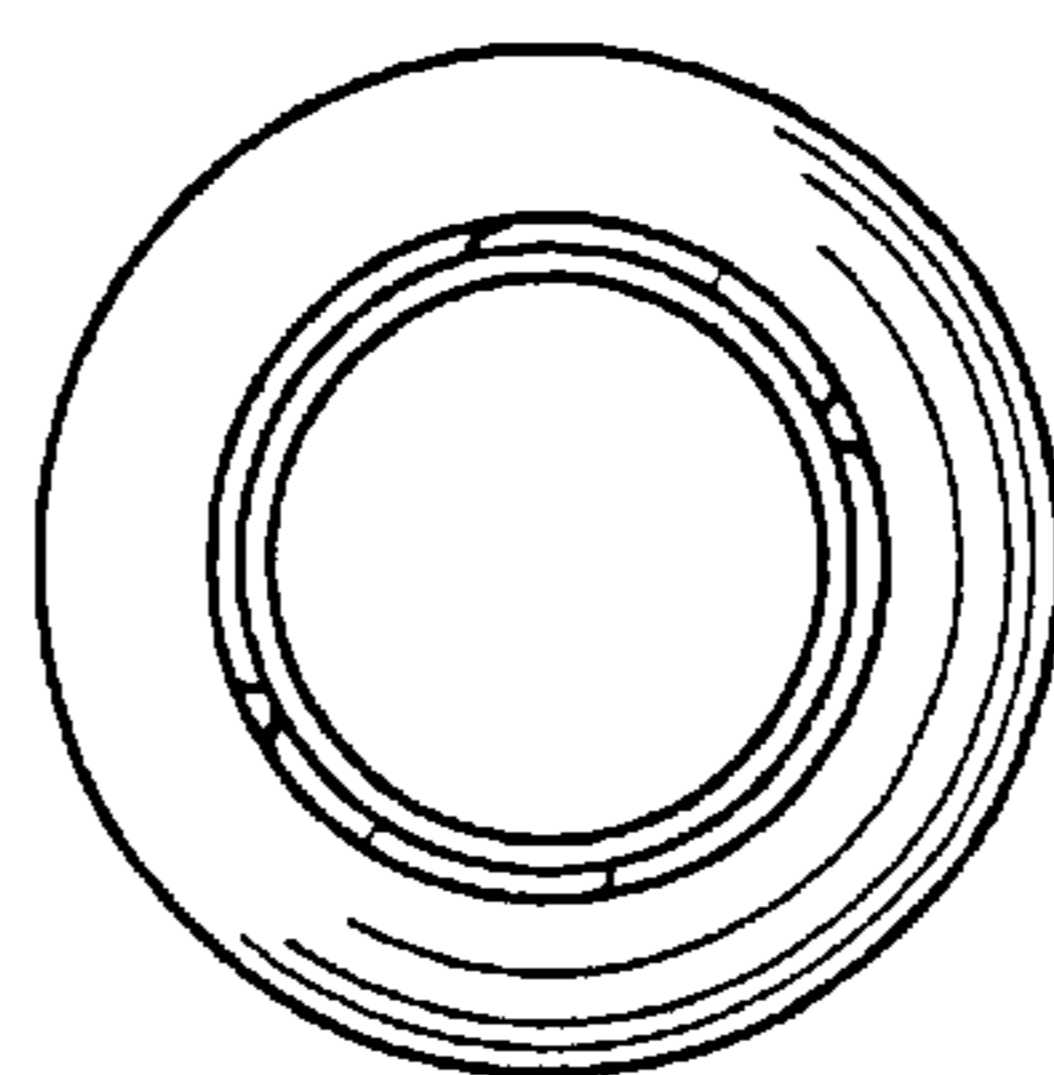


Fig.4