



US00D518722S

(12) **United States Design Patent** (10) **Patent No.:** **US D518,722 S**  
**Corbett et al.** (45) **Date of Patent:** **\*\* Apr. 11, 2006**

(54) **BOTTLE**

FOREIGN PATENT DOCUMENTS

(75) Inventors: **John Corbett**, Little River, SC (US);  
**Denise Lefebvre**, Southbury, CT (US);  
**Grant Thomas Briggs**, Mesa, AZ (US);  
**Lori Evans Bartman**, Sylvania, OH  
(US); **Edouard Didier John Irvine**  
**Ball**, Sydney (AU); **Ian Webb**, London  
(GB); **Mark Armstrong**, Gwynedd  
(GB); **Edward Adamson**, London (GB)

EP	0 95 7030 A2	11/1999
GB	2068206	* 11/1997
GB	2 358 385 A	7/2001
JP	03-239989	10/1991
JP	2003-155015	5/2003
WO	WO 94/01268	1/1994
WO	WO 01/56896 A1	8/2001
WO	DM/057837	* 11/2001
WO	WO 02/32768 A1	4/2002
WO	WO 02/057146 A2	7/2002
WO	WO 03/024813 A1	3/2003

(73) Assignee: **Cadbury Schweppes plc**, Birmingham  
(GB)

OTHER PUBLICATIONS

(\*\*) Term: **14 Years**

Owens-Illinois—Food Industries 1948—Stock Food Catalog, Owens-Illinois Glass Co., OH, © 1948, Standard Finishes, #1525, Anchor Side Seal—Friction Finish, p. G, middle left side.\*

(21) Appl. No.: **29/210,785**

The Charles Boldt Glass Co., Cincinnati, Ohio, Lettered Capacity—Jam and Preserve Jars, No. 1085—26 oz. 66 MM Anchor, p. 37, second from left.\*

(22) Filed: **Aug. 4, 2004**

(51) **LOC (8) Cl.** ..... **09-01**

(52) **U.S. Cl.** ..... **D9/500**

(58) **Field of Classification Search** ..... D9/500,  
D9/502–505, 509, 513, 515–516, 537–539,  
D9/545, 549, 558, 686, 688–691; D7/300.1,  
D7/510–511, 602; D11/143, 146, 152–154;  
D99/1, 5, 19; 215/381–386, 398, 400  
See application file for complete search history.

Whitney Glass Works Catalog, Honey and Maple Syrup Jars—Green Glass, Small Round Taper Honey Jar & 1 pound Round Honey Jar—Cylinder Mould, p. 67, top right corner.\*

The Charles Boldt Glass Co., Cincinnati, Ohio, Jams and Preserves, No. 763—7 oz. 43 A.M.C., p. 41, second from left.\*

(56) **References Cited**

U.S. PATENT DOCUMENTS

D6,985 S	*	11/1873	Sleeper	.....	D9/500
D18,220 S	*	4/1888	Atterbury	.....	D9/558
D25,943 S	*	8/1896	Jenkins	.....	D9/545
D87,770 S	*	9/1932	Cordy	.....	D9/558
D198,407 S		6/1964	Busch		
D210,867 S	*	4/1968	Kuroda	.....	D9/503
D227,554 S	*	7/1973	Baggulet	.....	D9/503
D227,556 S	*	7/1973	Bagguley	.....	D9/503
D231,729 S	*	6/1974	Hasegaws	.....	D9/503
4,946,053 A		8/1990	Conrad	.....	215/1 C
4,993,566 A		2/1991	Eberle	.....	215/1 C
4,993,567 A		2/1991	Eberle	.....	215/1 C

*Primary Examiner*—Carol Rademaker

*Assistant Examiner*—Dana Sipos

(74) *Attorney, Agent, or Firm*—Robert G. Crouch; Marsh Fischmann & Breyfogle LLP

(57) **CLAIM**

The ornamental design for a bottle, as shown and described.

**DESCRIPTION**

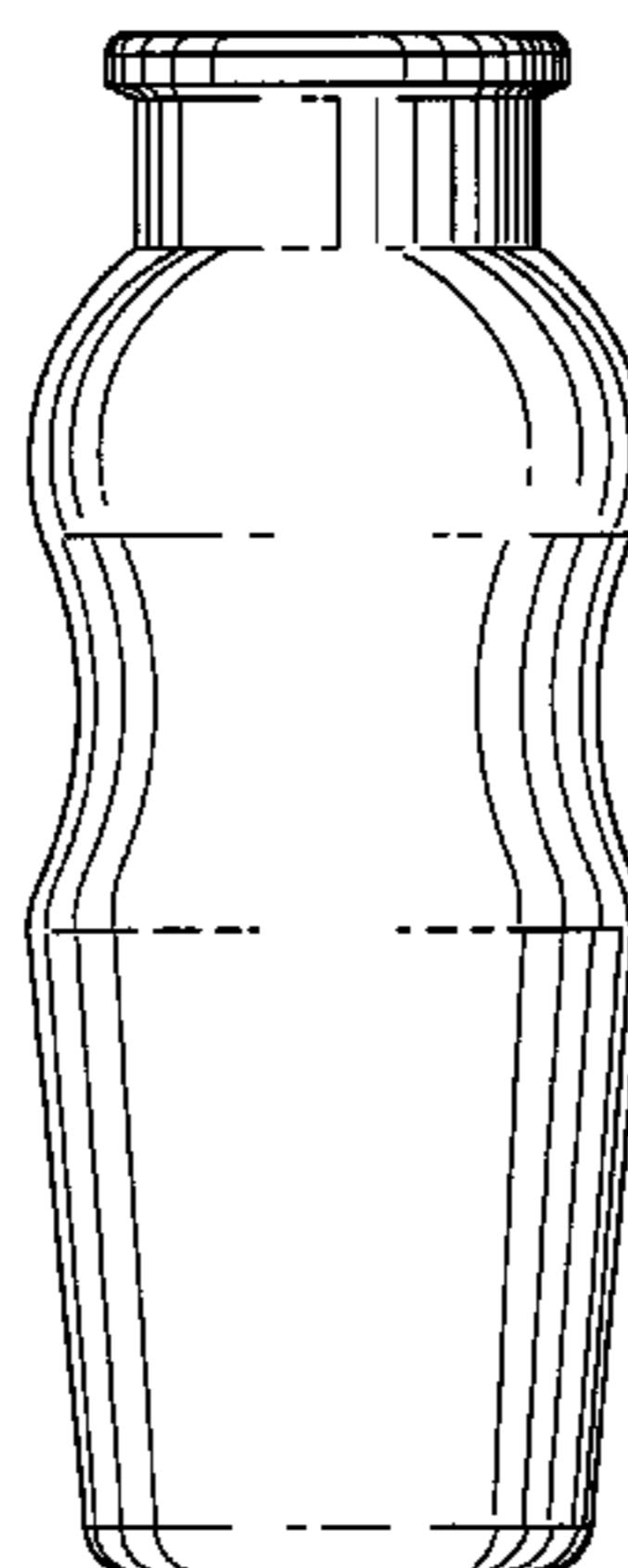
FIG. 1 is a front elevation view of the bottle, the rear elevation, right side elevation and left side elevation views being identical;

FIG. 2 is a top plan view thereof; and,

FIG. 3 is a front, perspective view thereof.

(Continued)

**1 Claim, 1 Drawing Sheet**



# US D518,722 S

Page 2

## U.S. PATENT DOCUMENTS

5,052,567 A	10/1991	Colani .....	215/100 A	D435,453 S	12/2000	Krishnakumar	
5,104,706 A	4/1992	Krishnakumar .....	428/36.92	D436,042 S	1/2001	Krishnakumar	
5,133,468 A	7/1992	Brunson .....	215/1 C	D436,043 S	1/2001	Krishnakumar	
D335,455 S	5/1993	Brown		D437,234 S *	2/2001	Schick .....	D9/558
D335,456 S	5/1993	Brown		D442,492 S	5/2001	Krishnakumar	
5,330,054 A	7/1994	Brown .....	206/459.5	D456,265 S *	4/2002	Spear .....	D9/502
5,492,245 A	2/1996	Kalkanis .....	220/609	D464,849 S *	10/2002	Norris et al. ....	D7/510
D370,415 S	6/1996	Seppala		D470,772 S	2/2003	Egger	
D379,310 S	5/1997	Balz		6,595,380 B1	7/2003	Silvers .....	215/373
D382,807 S	8/1997	Silvers		6,637,613 B1	10/2003	Shimada .....	215/382
D408,689 S *	4/1999	Kato .....	D7/511	D482,933 S *	12/2003	Norris et al. ....	D7/510
5,927,533 A	7/1999	Payne .....	215/384	D482,976 S	12/2003	Melrose .....	D9/537
D415,428 S *	10/1999	Keller et al. ....	D9/503	6,662,960 B1	12/2003	Hong .....	215/381
5,971,184 A	10/1999	Krishnakumar .....	215/384	2002/0008077 A1	1/2002	Lane .....	215/381
D427,909 S *	7/2000	Doritty et al. ....	D9/500	2002/0153343 A1	10/2002	Tobias .....	215/375

\* cited by examiner

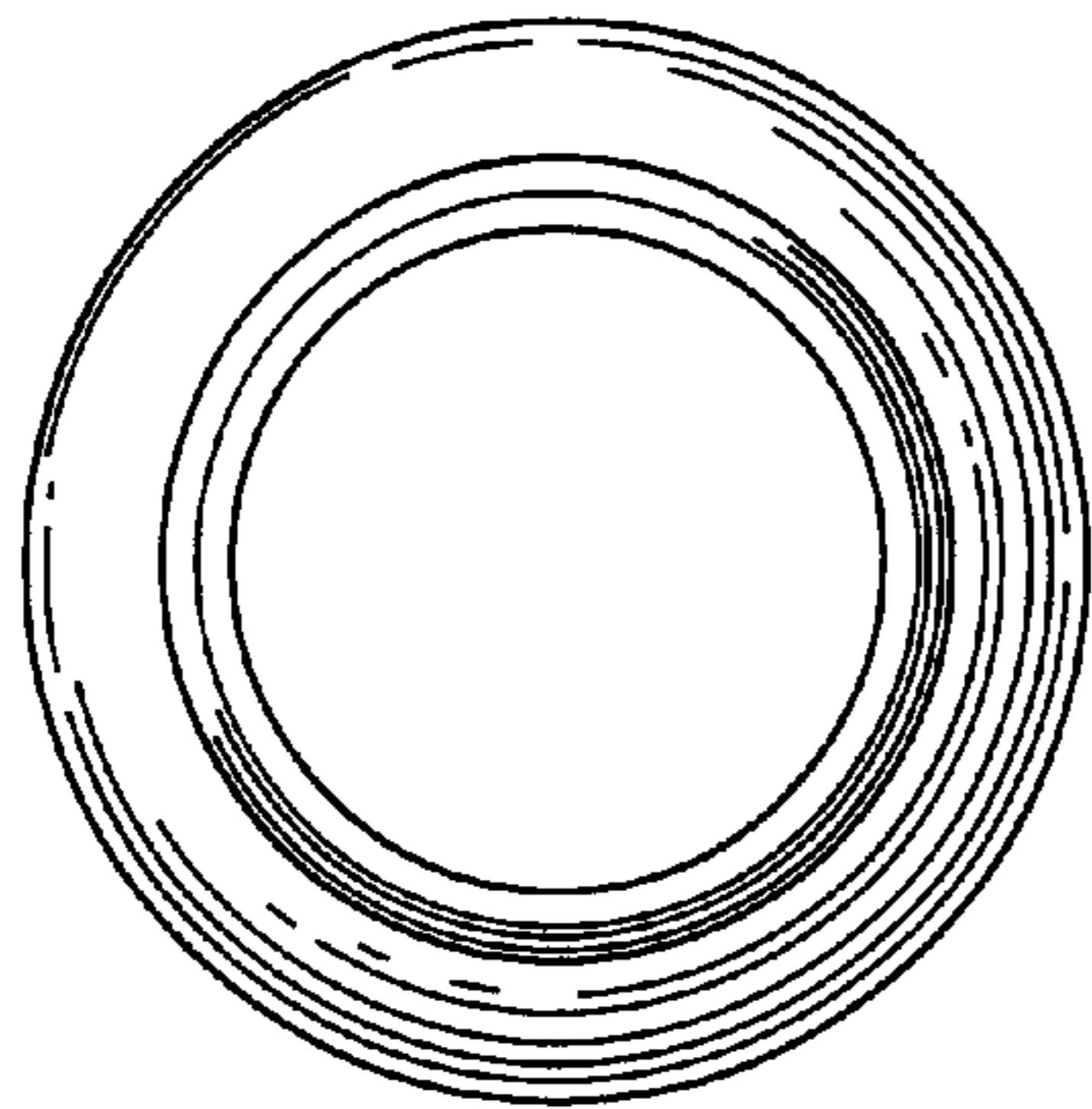


FIG. 2

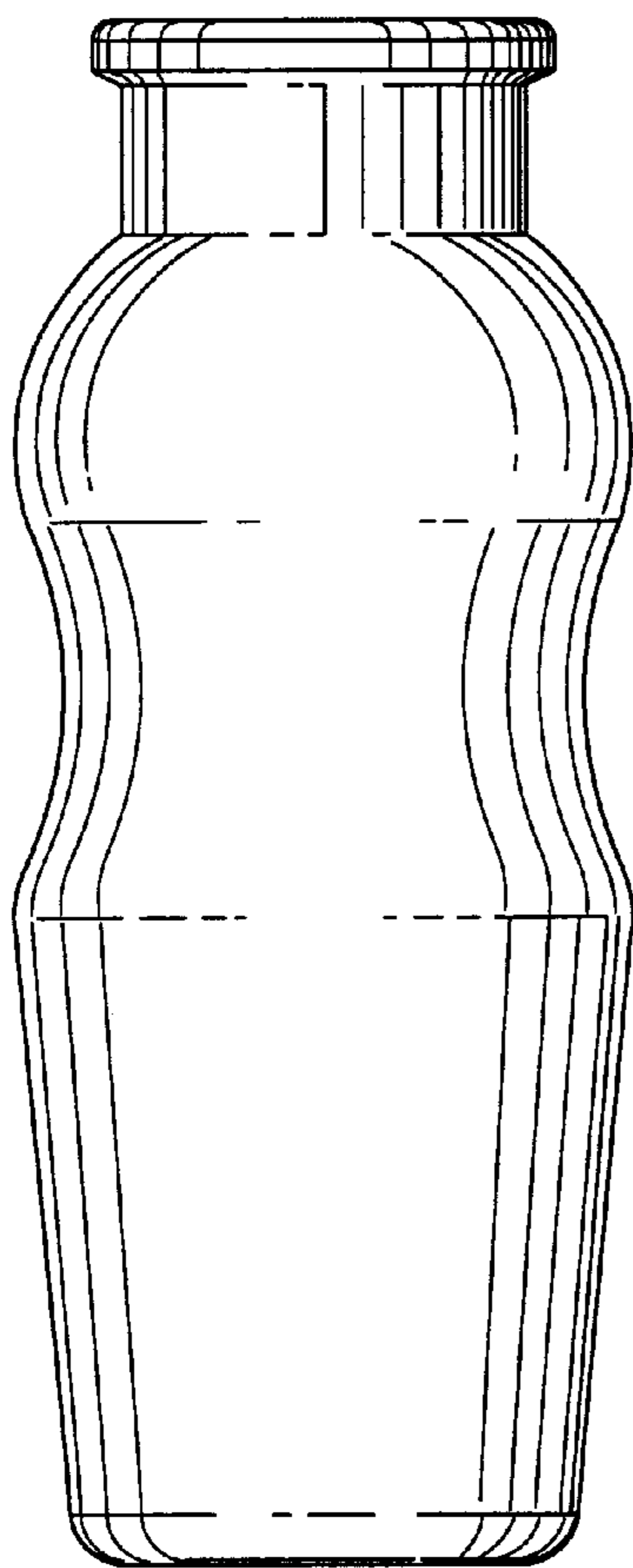


FIG. 1

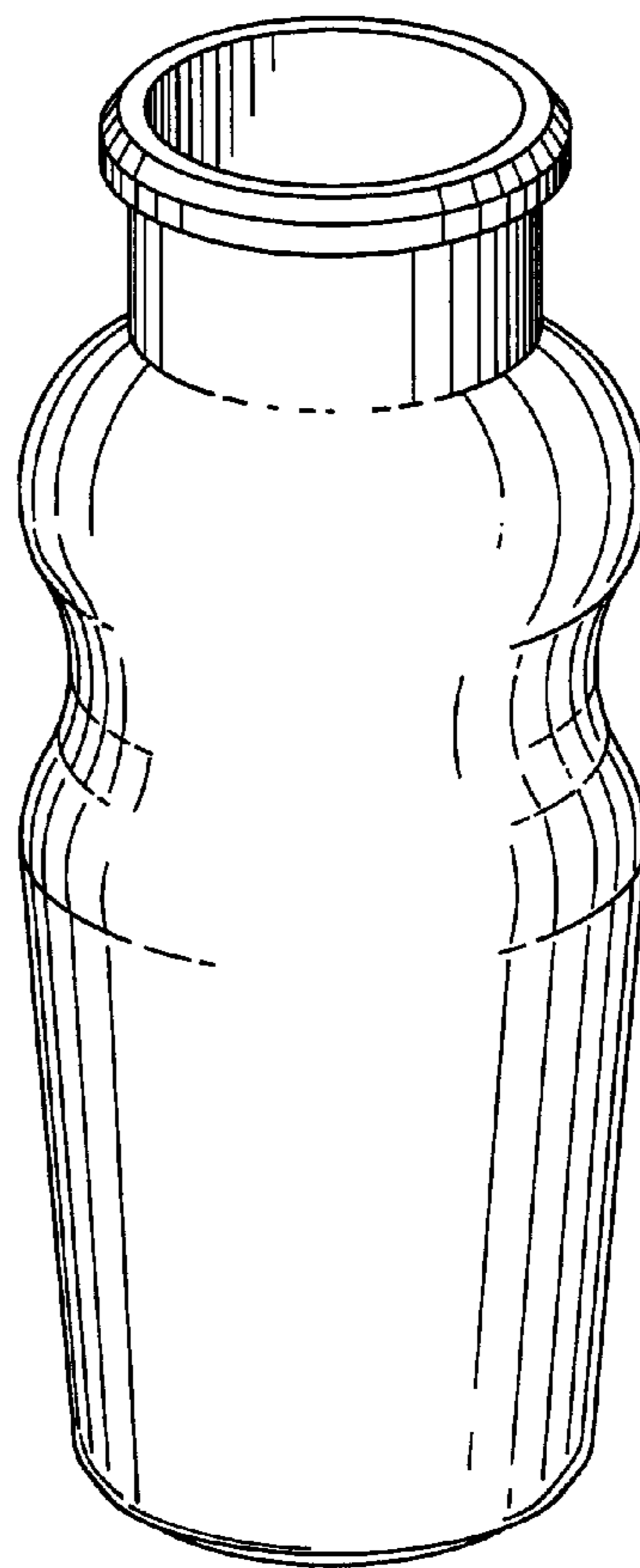


FIG. 3