



US00D518719S

(12) **United States Design Patent**  
**von Spreckelsen et al.**

(10) **Patent No.:** **US D518,719 S**  
(45) **Date of Patent:** **\*\* Apr. 11, 2006**

(54) **TRANSPARENT CAP WITH SPOUT INSERT**

FOREIGN PATENT DOCUMENTS

(75) Inventors: **Henning von Spreckelsen**, St. Johns  
(GB); **Peter Michael McGeough**, Kells  
(IE)

GB 2134893 A 8/1984  
WO WO 03/062061 A1 7/2003

\* cited by examiner

(73) Assignee: **Bapco Closures Research Limited**,  
Surrey (GB)

*Primary Examiner*—Robert M. Spear  
*Assistant Examiner*—Susan Bennett Hattan

(\*\*) Term: **14 Years**

(74) *Attorney, Agent, or Firm*—Kirkpatrick & Lockhart  
Nicholson Graham LLP

(21) Appl. No.: **29/223,578**

(57) **CLAIM**

(22) Filed: **Feb. 16, 2005**

The ornamental design for a transparent cap with spout insert, as shown and described.

(30) **Foreign Application Priority Data**

**DESCRIPTION**

Aug. 16, 2004 (EM) ..... 000216296

(51) **LOC (8) Cl.** ..... **09-07**

(52) **U.S. Cl.** ..... **D9/453**

(58) **Field of Classification Search** ..... D9/453,  
D9/449, 447, 446, 440, 435, 434; D6/542;  
D19/66; D24/130; 222/562, 556; 220/288,  
220/259.3; 215/237, 235, 230

See application file for complete search history.

FIG. 1 is a top perspective view of a transparent cap with spout insert according to the invention;

FIG. 2 is a bottom perspective view thereof;

FIG. 3 is a top plan view thereof;

FIG. 4 is a bottom plan view thereof;

FIG. 5 is a side elevational view thereof;

FIG. 6 is a side elevational view thereof, opposite that shown in FIG. 5;

FIG. 7 is a top perspective view thereof, with respect to a bottle; and,

FIG. 8 is a top perspective view of the cap separated from the spout insert according to the invention, with respect to a bottle.

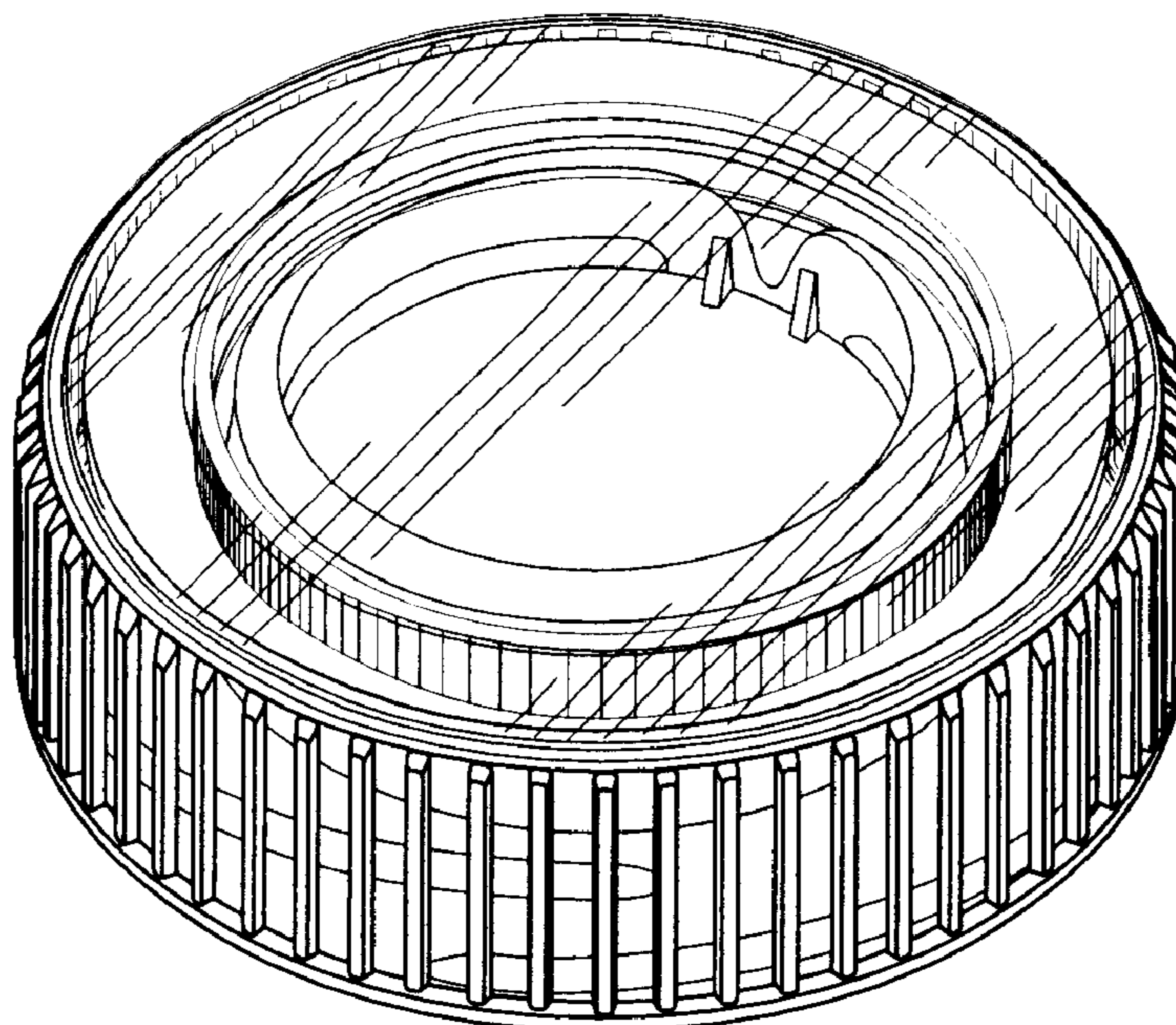
Elements in the figures shown in even broken lines are for illustrative purposes only and form no part of the claimed invention.

(56) **References Cited**

U.S. PATENT DOCUMENTS

4,807,769 A \* 2/1989 Gach ..... 215/235  
D384,886 S \* 10/1997 Plante ..... D9/453  
D437,228 S \* 2/2001 Collins ..... D9/453  
2004/0094551 A1 5/2004 Mavin et al.  
2004/0256391 A1 \* 12/2004 You ..... 220/288

**1 Claim, 5 Drawing Sheets**



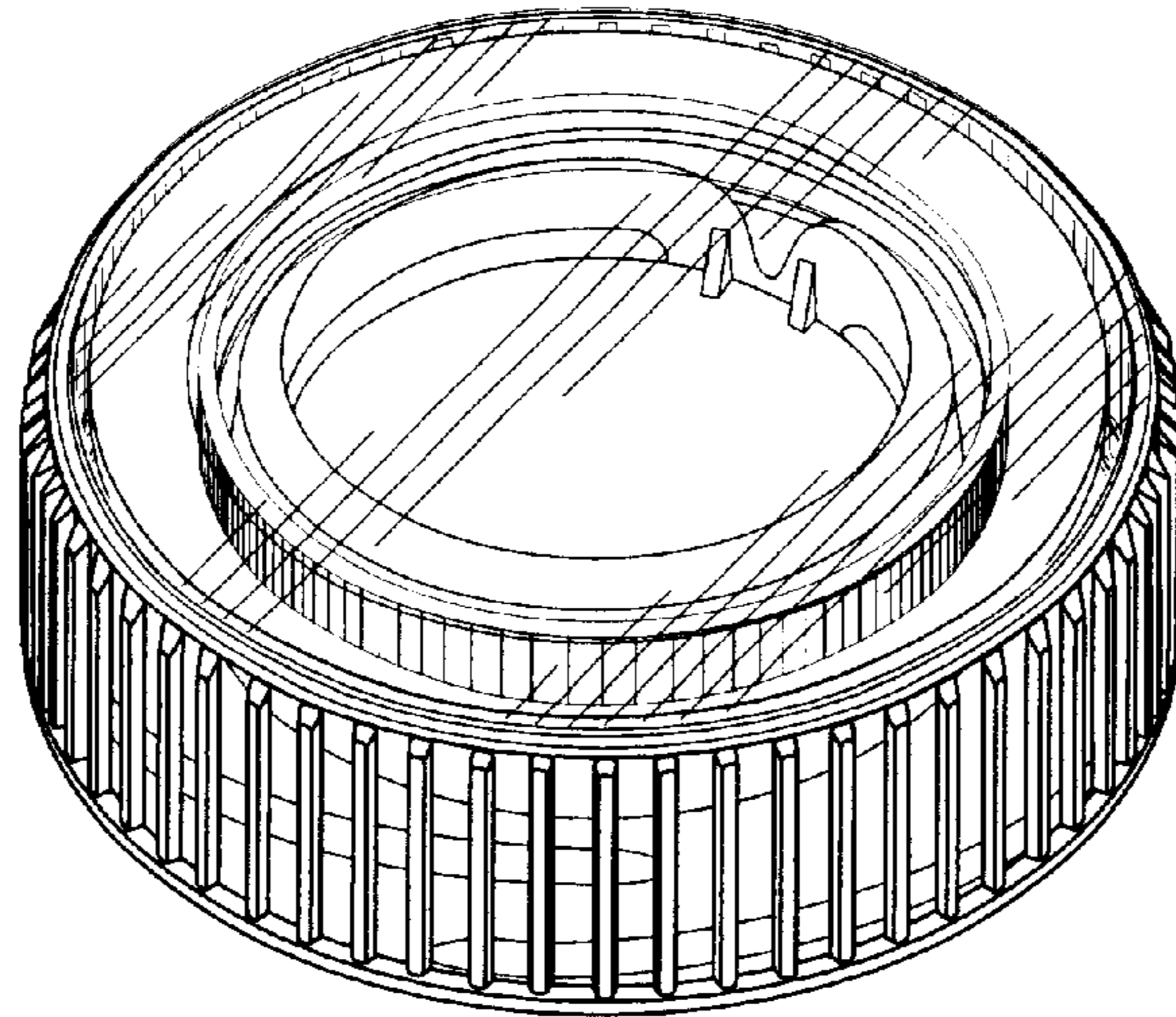


Fig. 1

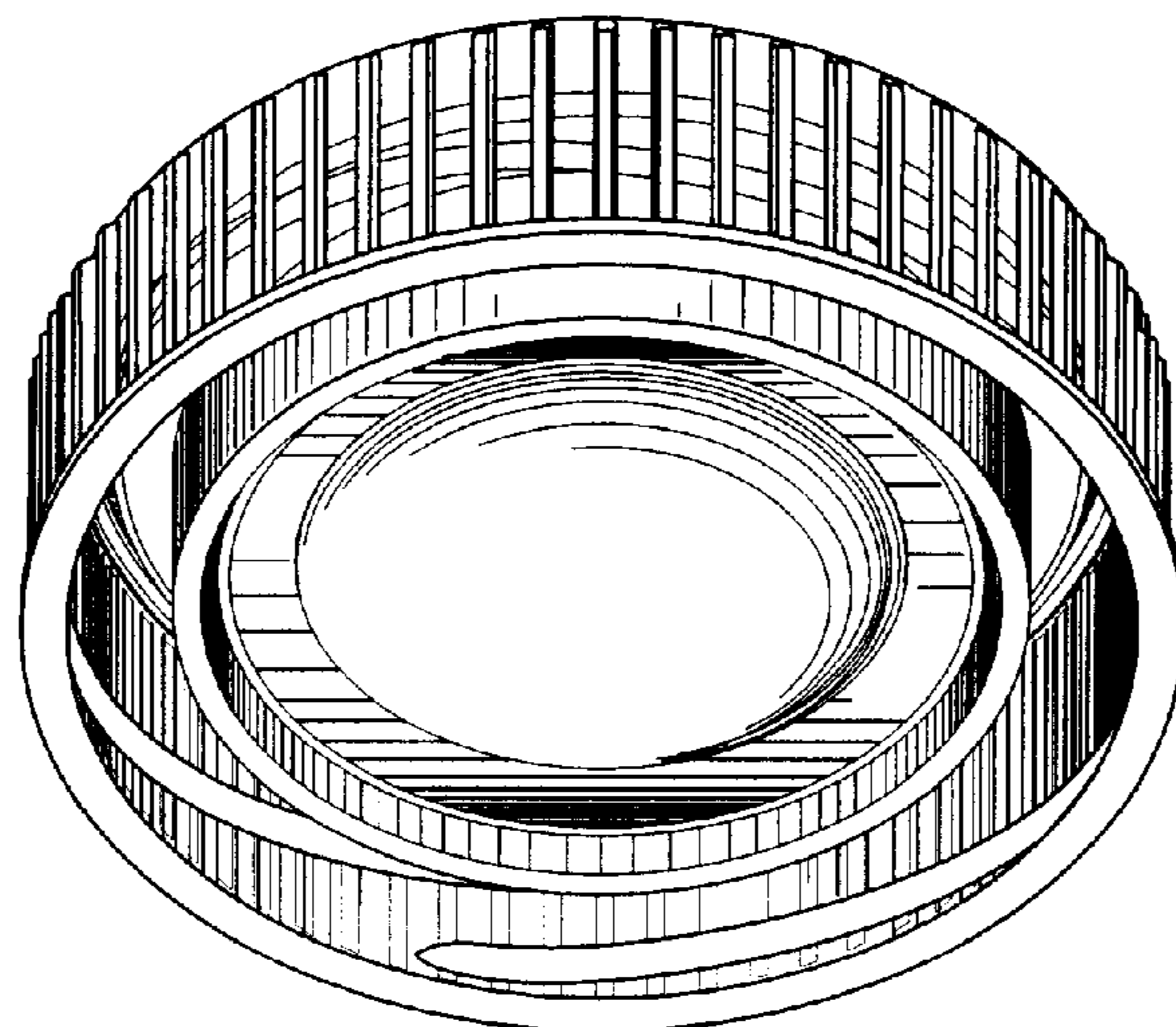


Fig. 2



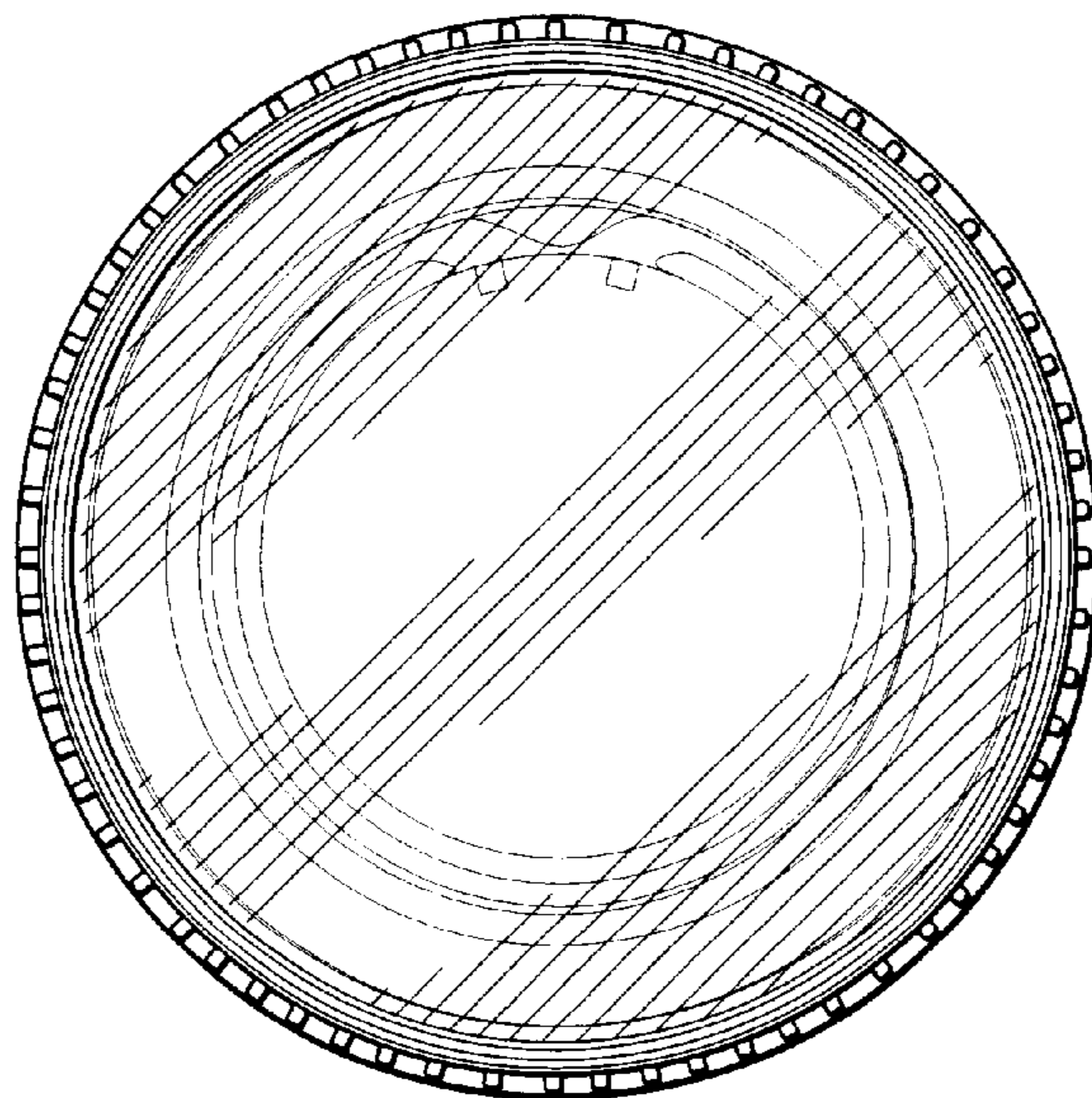


Fig. 3

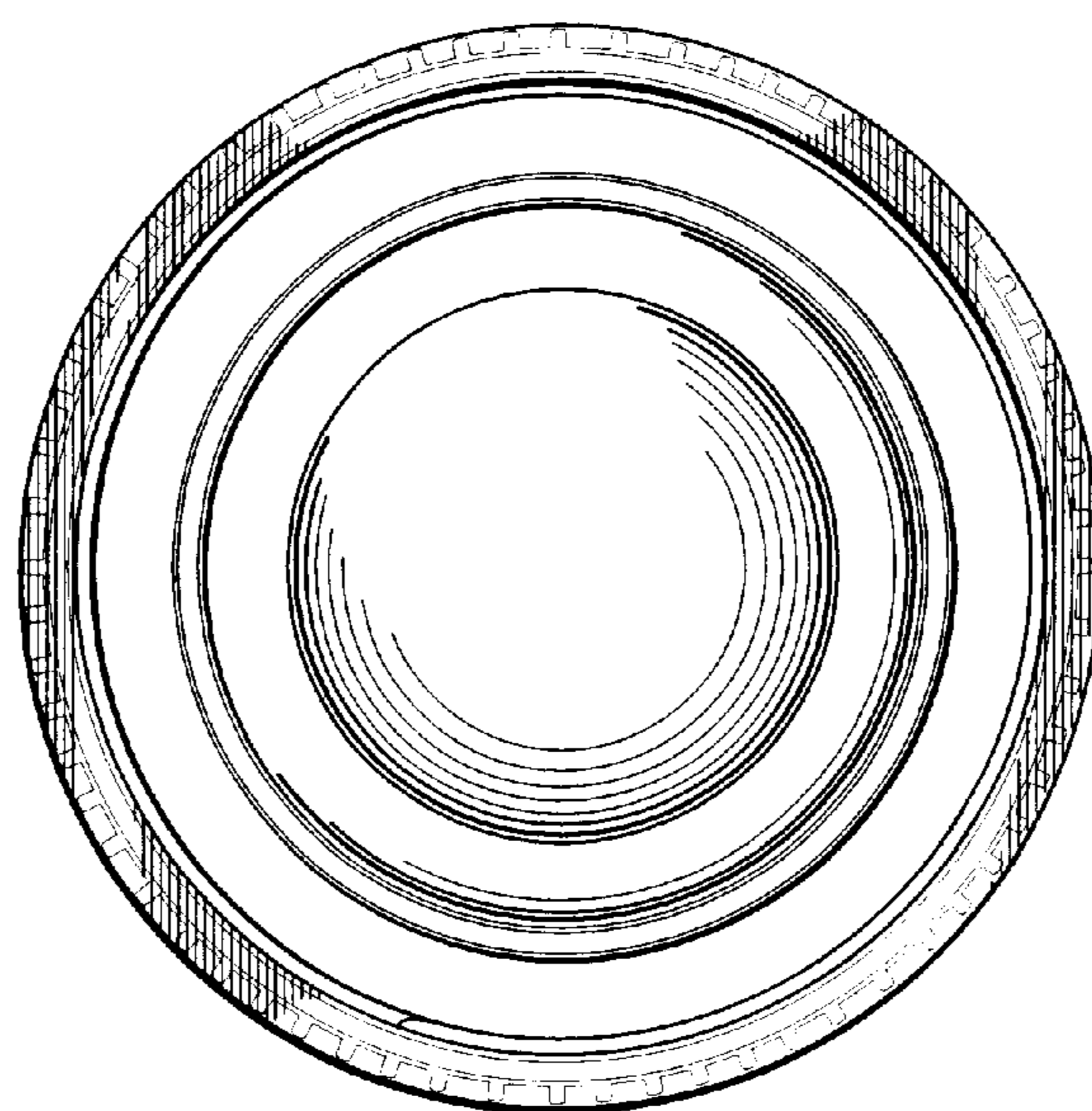


Fig. 4

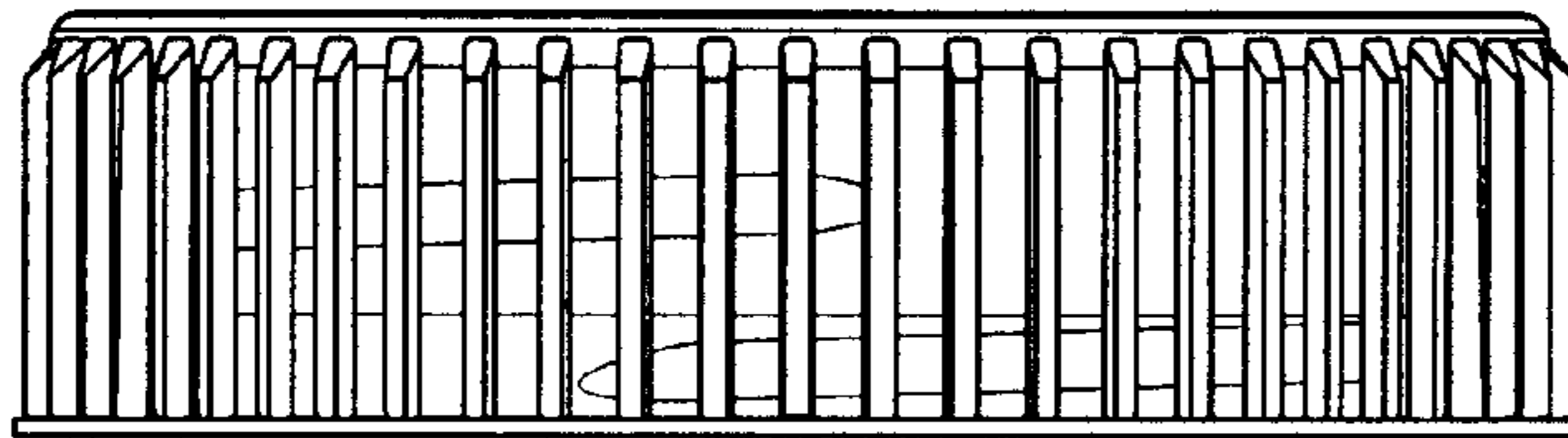


Fig. 5

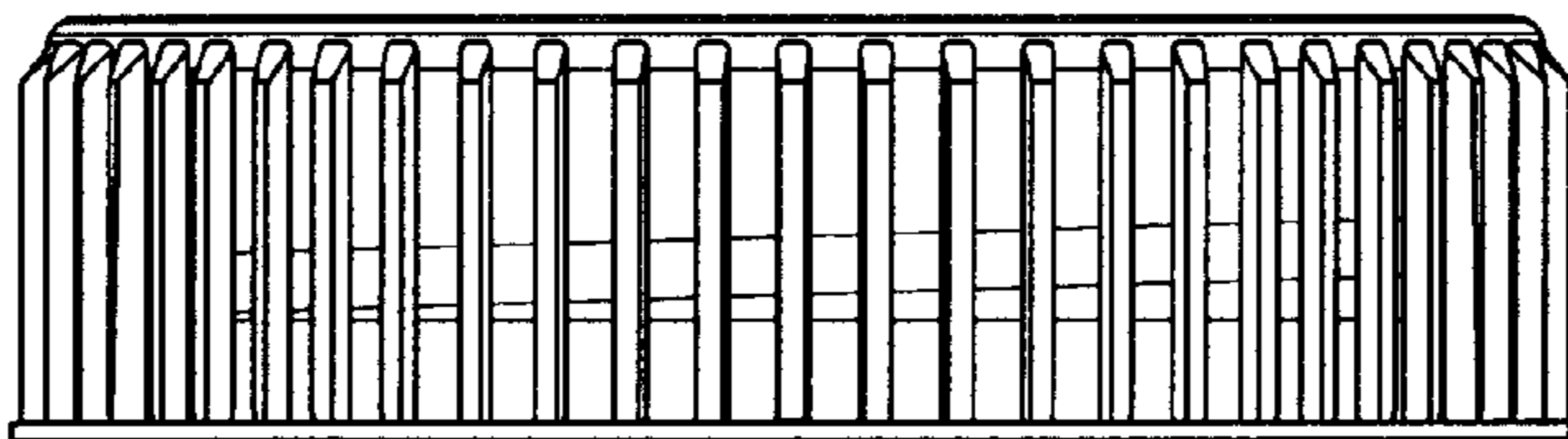


Fig. 6

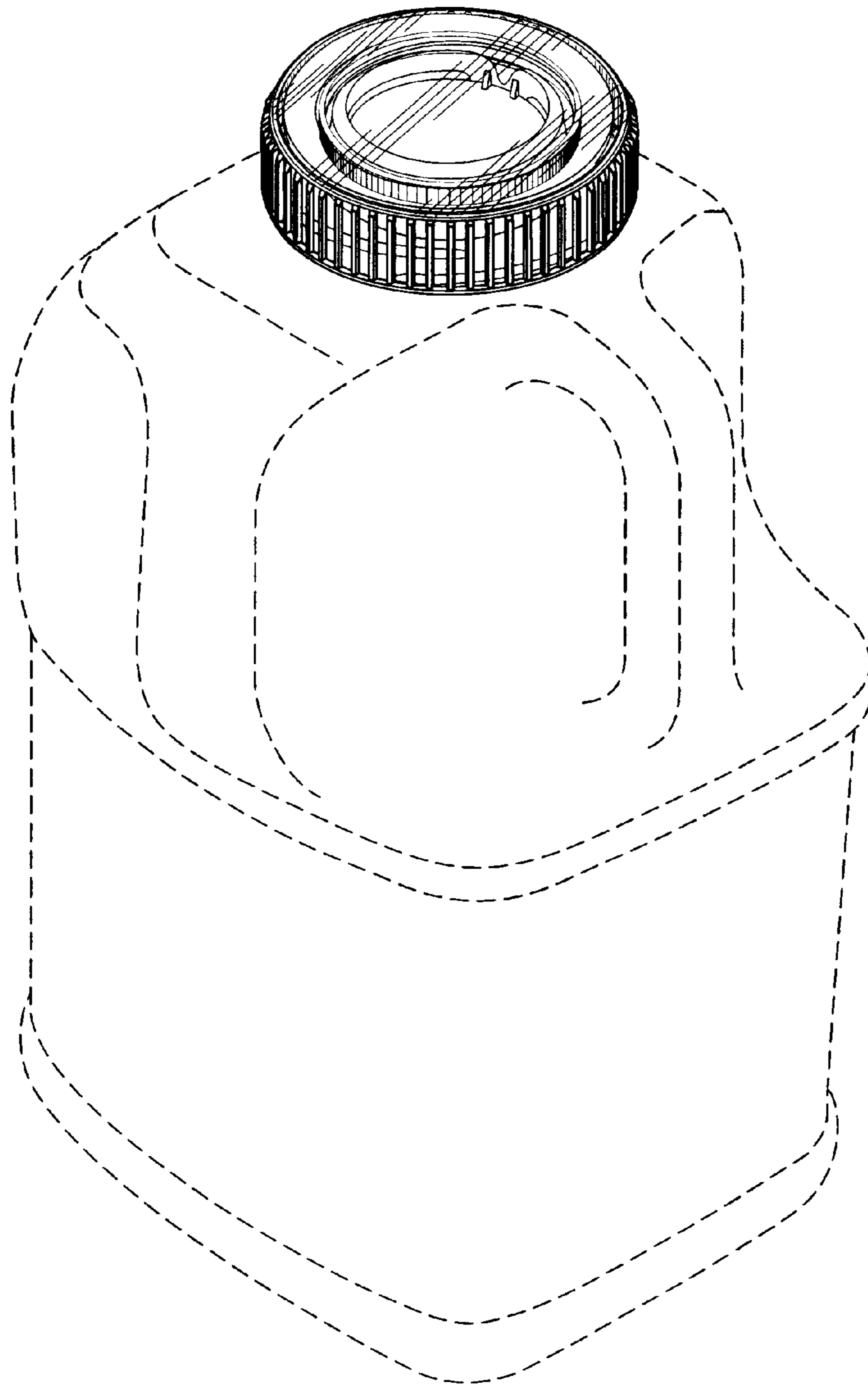


Fig. 7

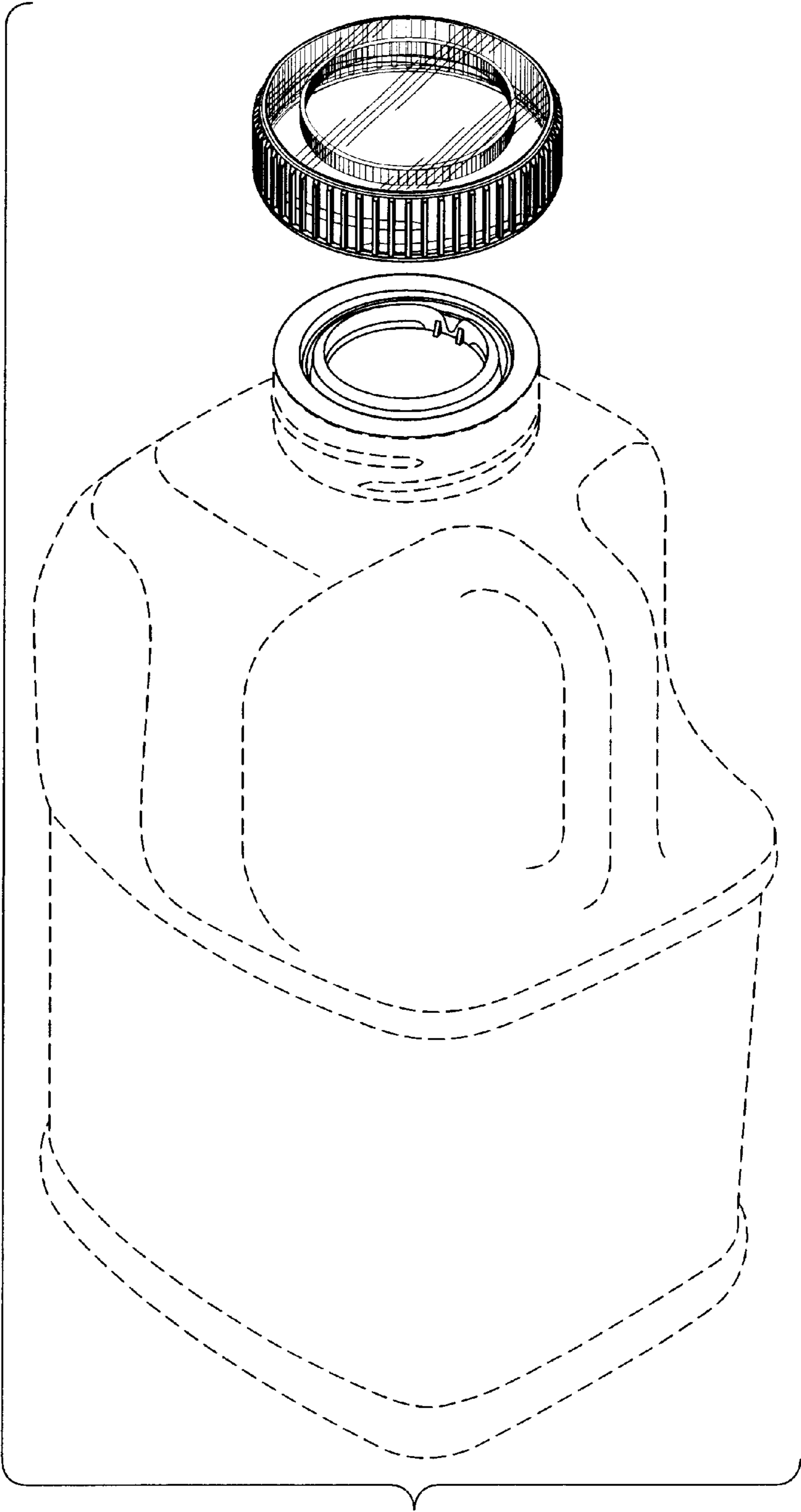


Fig. 8