



US00D518717S

(12) **United States Design Patent** (10) **Patent No.:** **US D518,717 S**
German (45) **Date of Patent:** **** Apr. 11, 2006**

(54) **COMPOSITE CLOSURE HAVING AN INSERT WITH A PERIPHERAL CURL**

(75) Inventor: **Galen German**, Lancaster, OH (US)

(73) Assignee: **Crown Cork & Seal Technologies Corporation**, Alsip, IL (US)

(**) Term: **14 Years**

(21) Appl. No.: **29/189,017**

(22) Filed: **Aug. 27, 2003**

(51) **LOC (8) Cl.** **09-07**

(52) **U.S. Cl.** **D9/453**

(58) **Field of Classification Search** D24/197,
D24/199, 224; D9/569, 556, 537, 529, 454,
D9/453, 452; 220/253; 215/352, 341, 334,
215/329, 252, 250, 219, 217, 216, 214, 208,
215/201; 206/562

See application file for complete search history.

(56) **References Cited**

U.S. PATENT DOCUMENTS

- | | | | |
|---------------|---------|-------------------|---------|
| 4,059,198 A * | 11/1977 | Mumford | 215/222 |
| 4,378,894 A * | 4/1983 | Willis et al. | 215/252 |
| 4,609,115 A * | 9/1986 | Moore et al. | 215/252 |
| 4,679,696 A | 7/1987 | Bonnenfant et al. | 215/252 |
| 4,809,858 A | 3/1989 | Ochs | 215/276 |
| 4,880,127 A | 11/1989 | Doi | 215/252 |
| D305,735 S * | 1/1990 | Zinnbauer | D9/453 |
| D310,781 S * | 9/1990 | Scott, III | D9/556 |
| D315,507 S * | 3/1991 | Ochs | D9/453 |
| 5,009,324 A | 4/1991 | Ochs | 215/276 |
| 5,031,787 A | 7/1991 | Ochs | 215/276 |
| D318,804 S * | 8/1991 | Ochs | D9/453 |
| D359,682 S * | 6/1995 | Miller | D9/453 |
| D359,685 S * | 6/1995 | Luch | D9/453 |
| 5,660,290 A | 8/1997 | Hayes | 215/252 |
| D383,851 S * | 9/1997 | Wong | D24/224 |
| 5,685,443 A | 11/1997 | Taber et al. | 215/252 |
| D389,062 S * | 1/1998 | Ekkert et al. | D9/453 |
| D397,031 S * | 8/1998 | Fricke | D9/452 |
| 5,809,860 A | 9/1998 | Haaser | 83/880 |
| 6,220,466 B1 | 4/2001 | Hayes et al. | 215/276 |
| 6,276,543 B1 | 8/2001 | German et al. | 215/252 |

- | | | | |
|----------------|---------|------------------|---------|
| 6,279,779 B1 * | 8/2001 | Laciacara et al. | 222/83 |
| D460,357 S * | 7/2002 | Kras et al. | D9/453 |
| 6,557,714 B1 * | 5/2003 | Babcock et al. | 215/252 |
| D482,794 S * | 11/2003 | Whitley | D24/224 |
| D490,315 S * | 5/2004 | Kiser | D9/453 |

FOREIGN PATENT DOCUMENTS

- | | | | |
|----|-----------|---|--------|
| FR | DM/063888 | * | 6/2003 |
| GB | 2049034 | * | 7/1995 |
| GB | 3010148 | * | 1/2003 |

* cited by examiner

Primary Examiner—Robert M. Spear

Assistant Examiner—Susan Bennett Hattan

(74) *Attorney, Agent, or Firm*—Woodcock Washburn LLP

(57) **CLAIM**

The ornamental design for a composite closure having an insert with a peripheral curl, as shown and described.

DESCRIPTION

FIG. 1 is a side view of a composite closure having an insert with a peripheral curl according to the preferred embodiment of the design;

FIG. 2 is a top view of the design that is depicted in FIG. 1; FIG. 3 is a bottom view of the design that is depicted in FIGS. 1 and 2;

FIG. 4 is an enlarged cross-sectional view of the design that is depicted in FIGS. 1–3, taken along line 4/7 in FIG. 2, depicting the closure installed on the neck of a container; the broken line showing the neck of the container is for illustrative purposes only and forms no part of the claimed design;

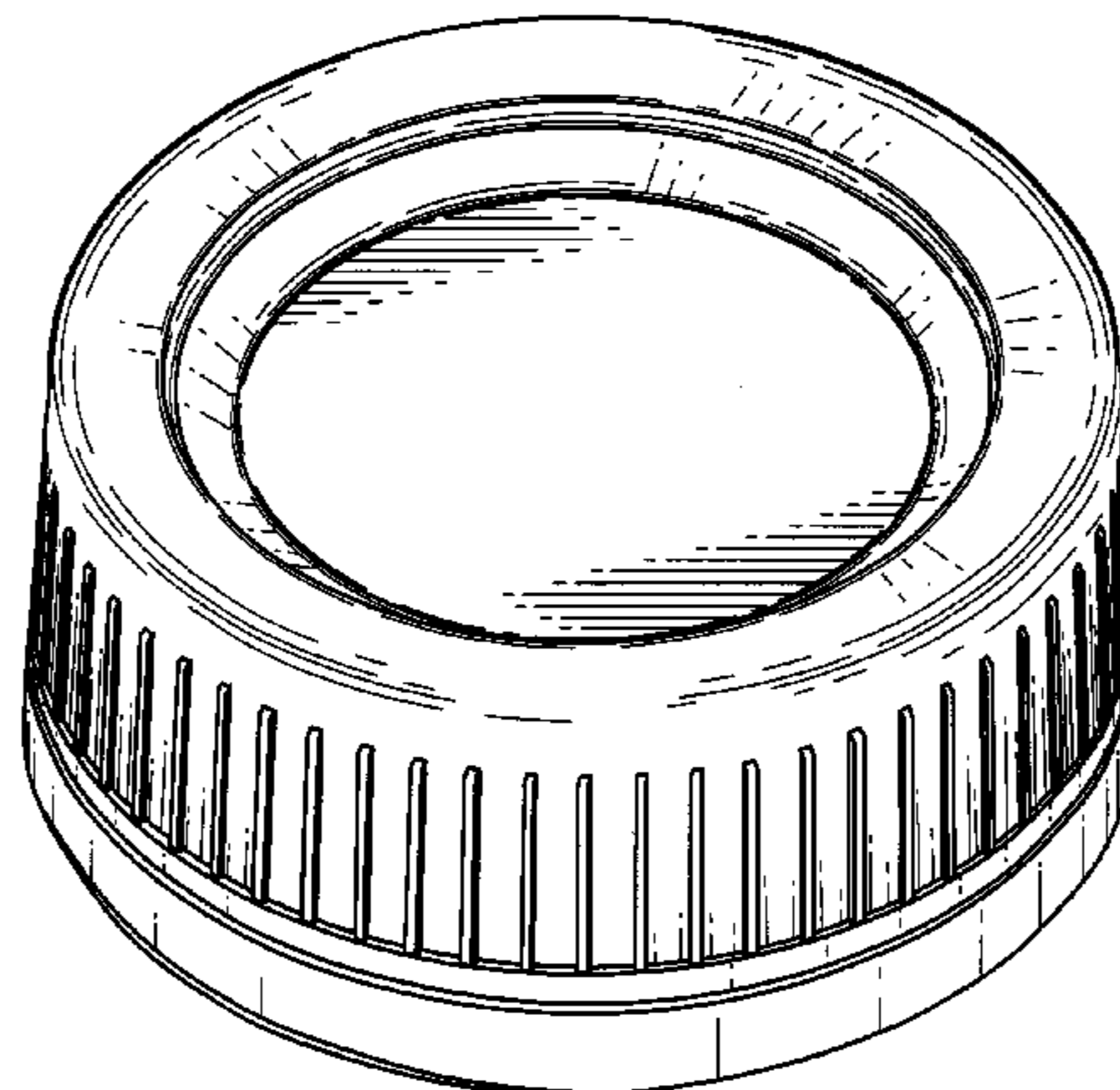
FIG. 5 is a top perspective view of the design that is depicted in FIGS. 1–4;

FIG. 6 is a bottom perspective view of the design that is depicted in FIGS. 1–5;

FIG. 7 is an enlarged cross-sectional perspective view of the design that is depicted in FIGS. 1–6, taken along line 4/7 in FIG. 2; and,

FIG. 8 is an enlarged combination cross-sectional and bottom perspective view of a portion of the closure, shown without the insert for clarity of illustration.

1 Claim, 8 Drawing Sheets



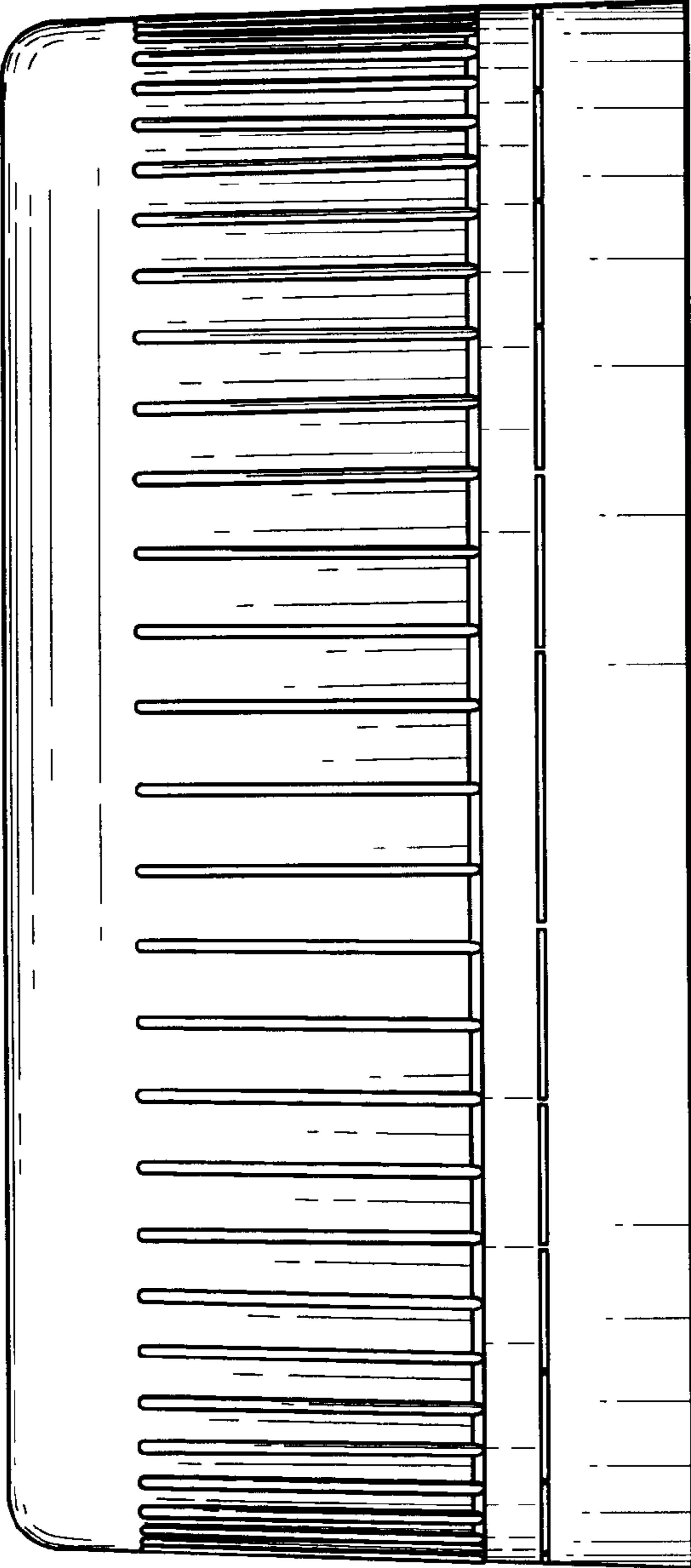


Figure 1

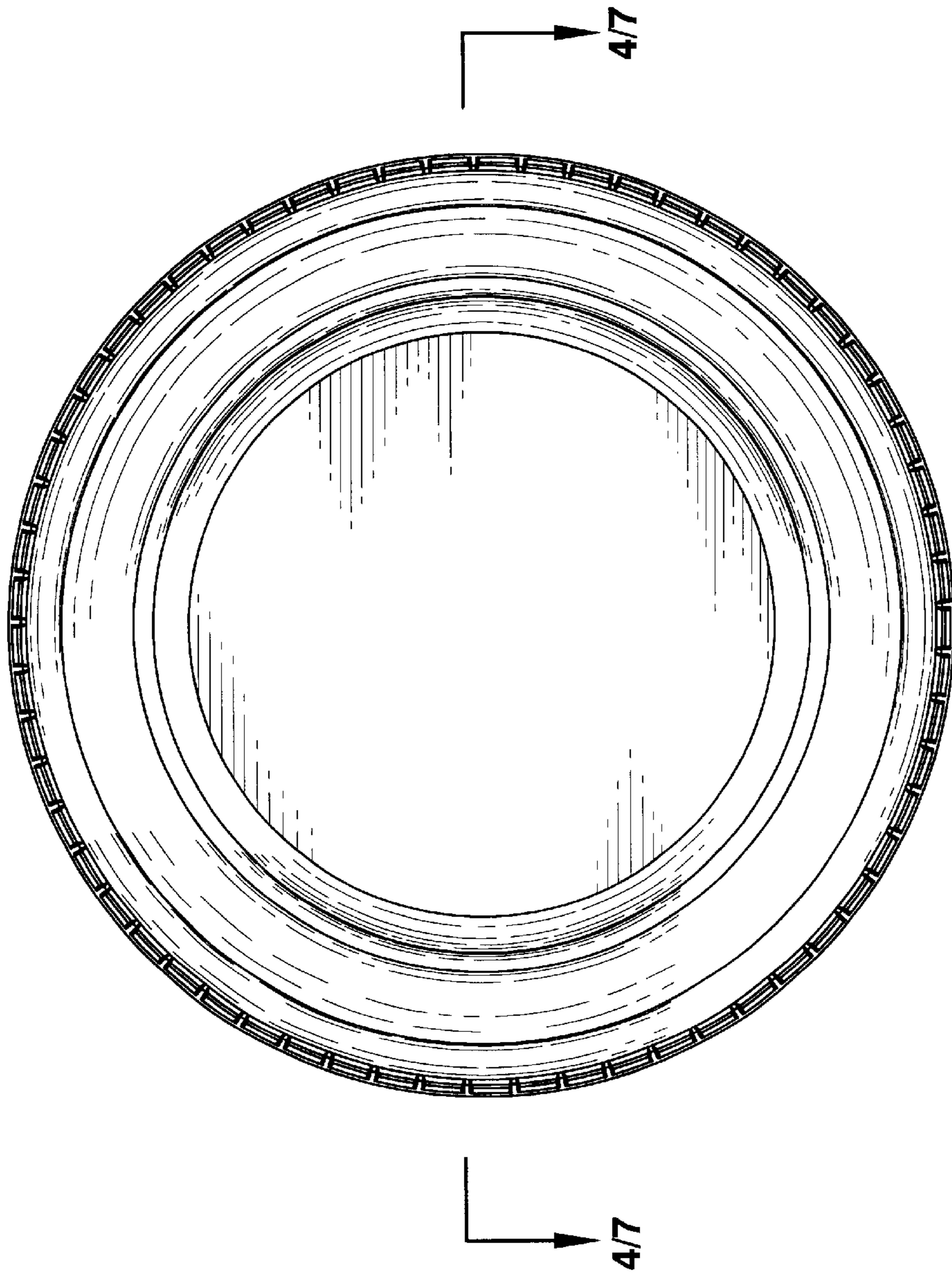


Figure 2

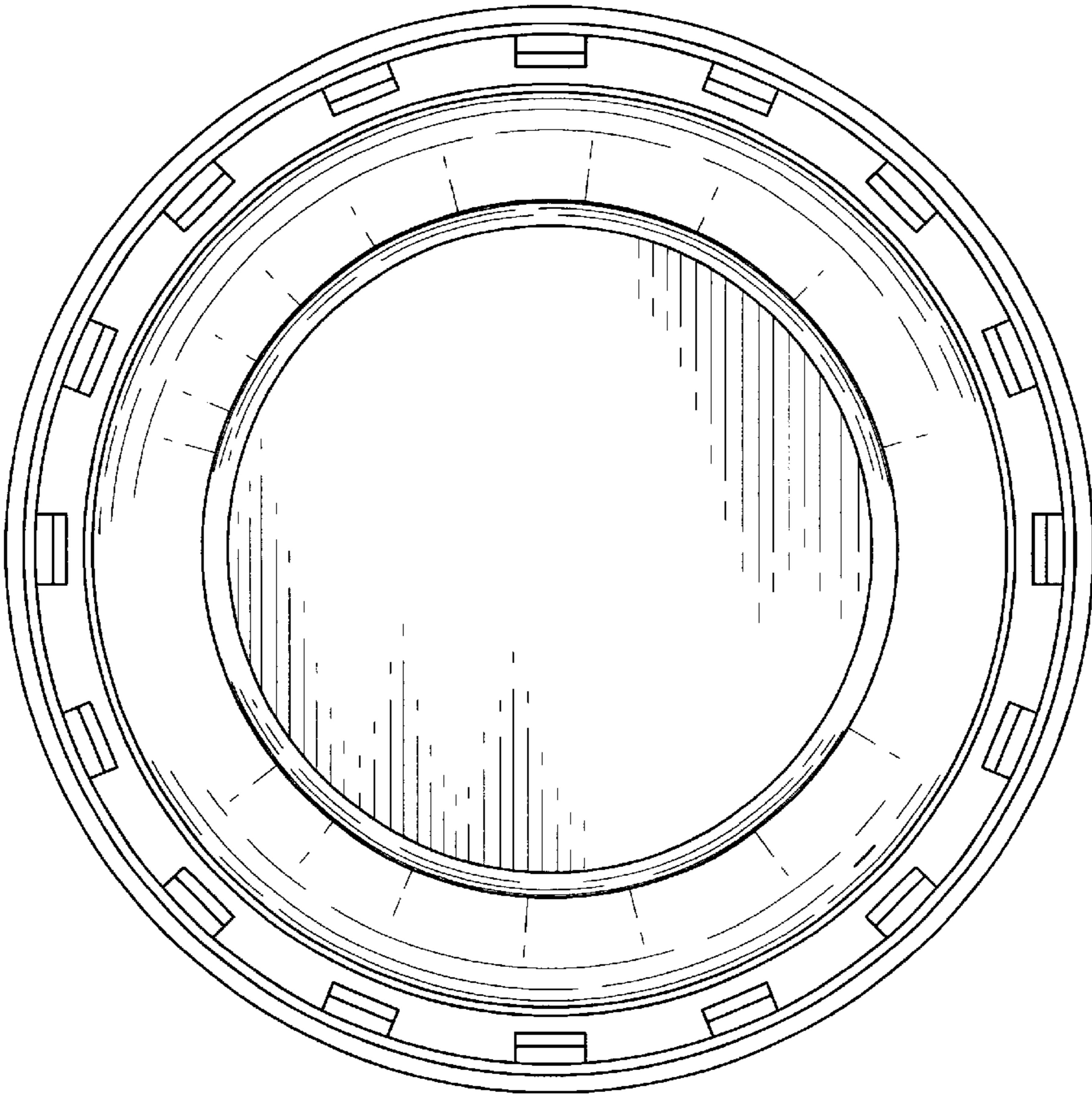


Figure 3

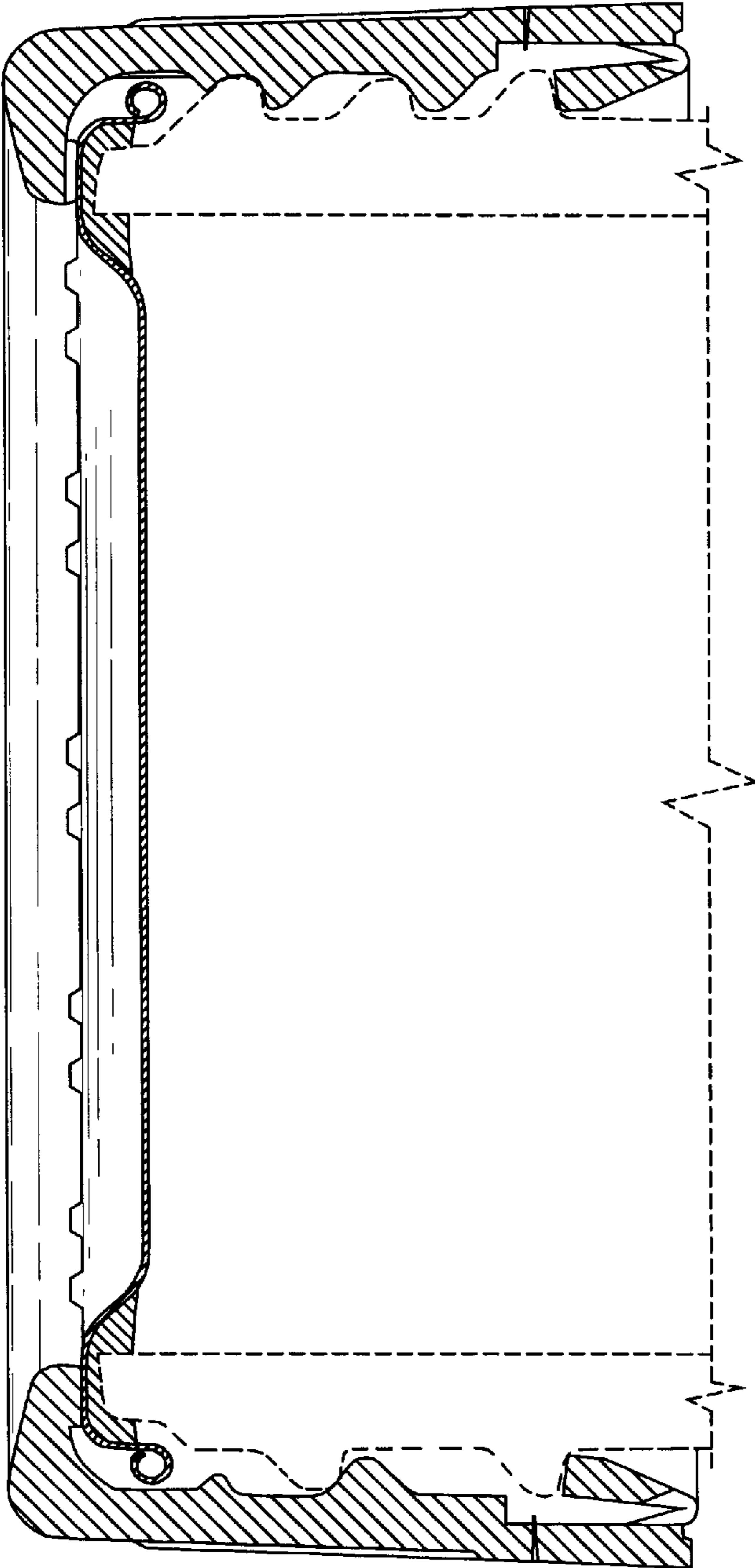


Figure 4

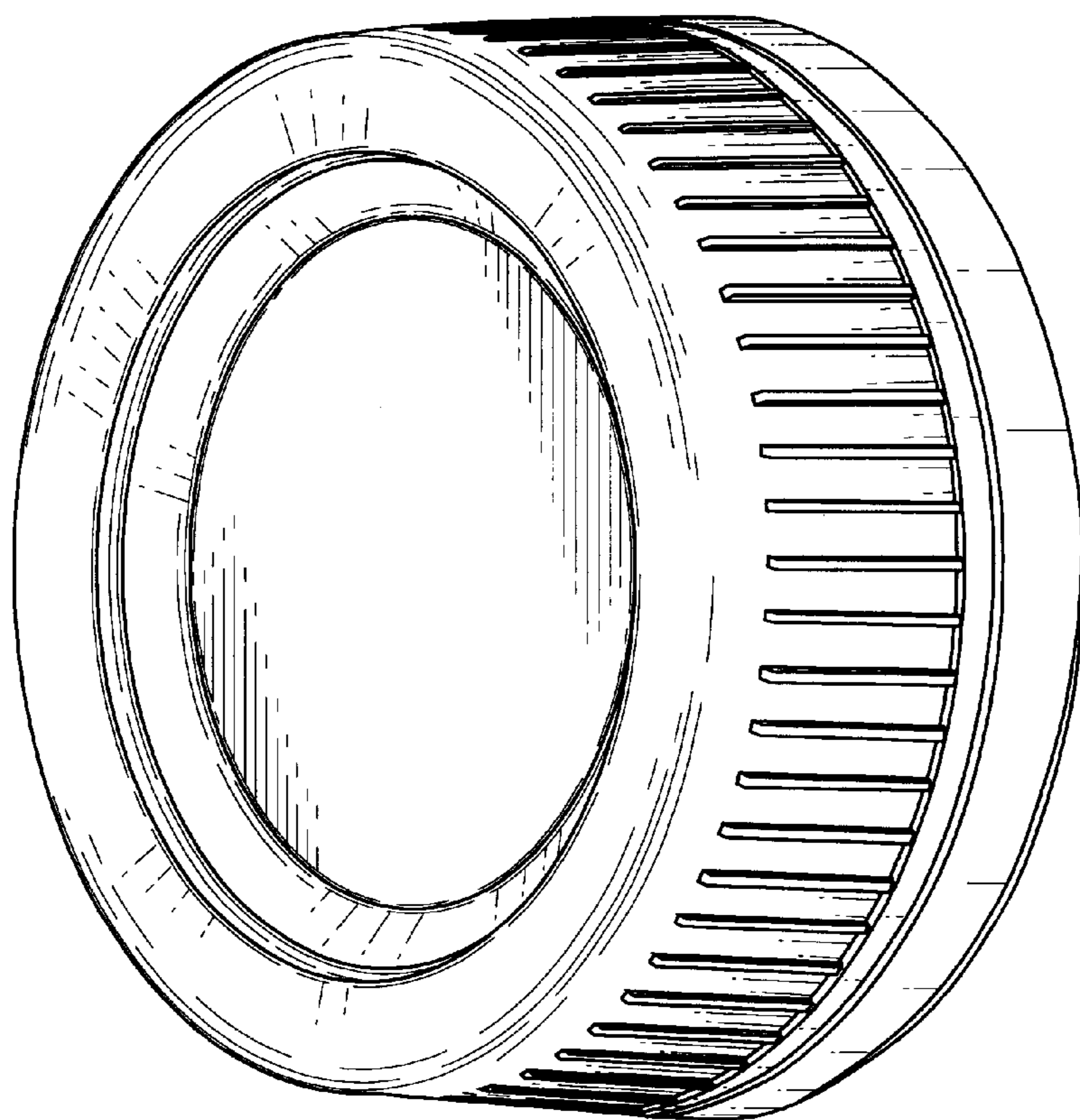


Figure 5

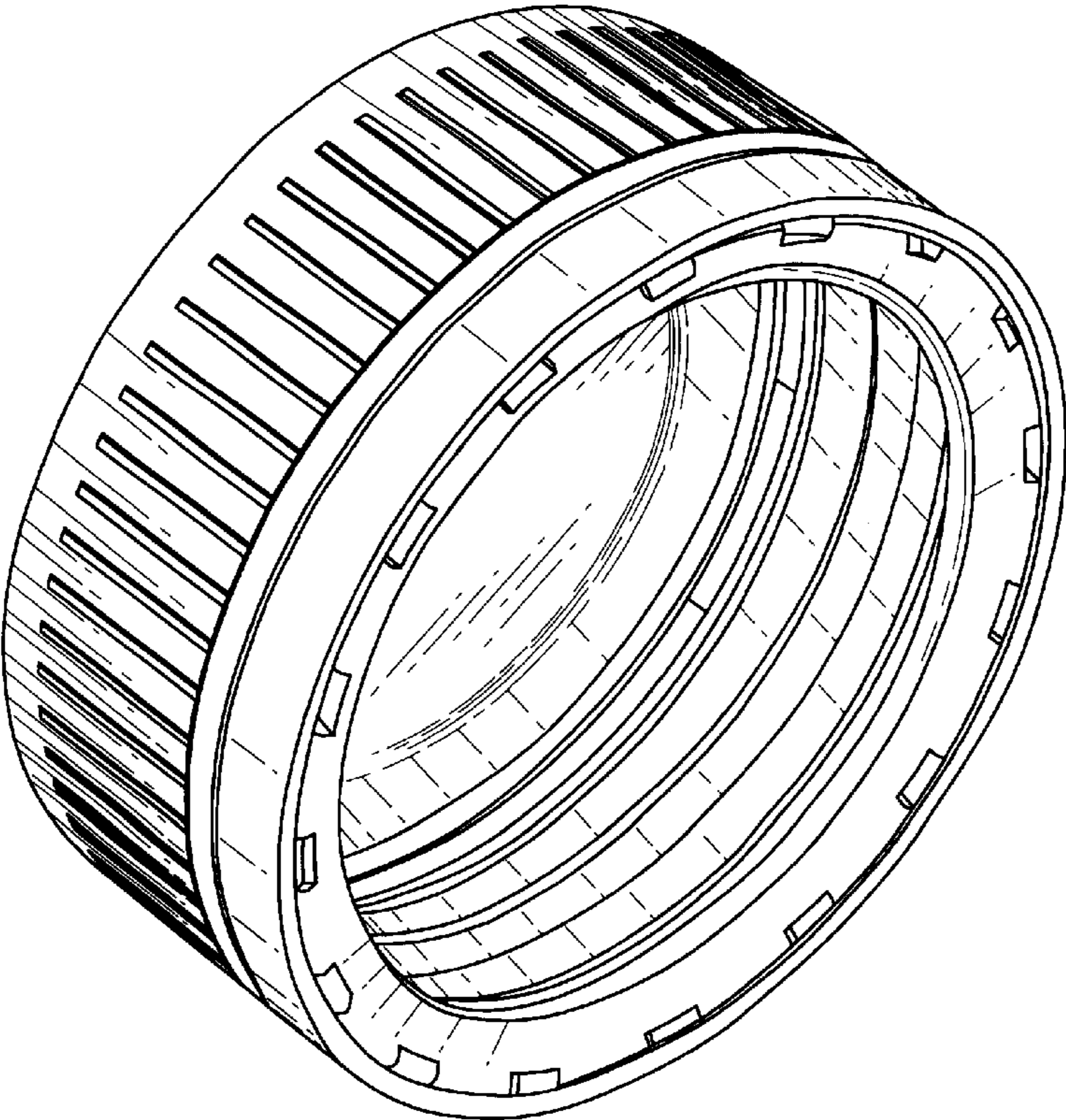


Figure 6

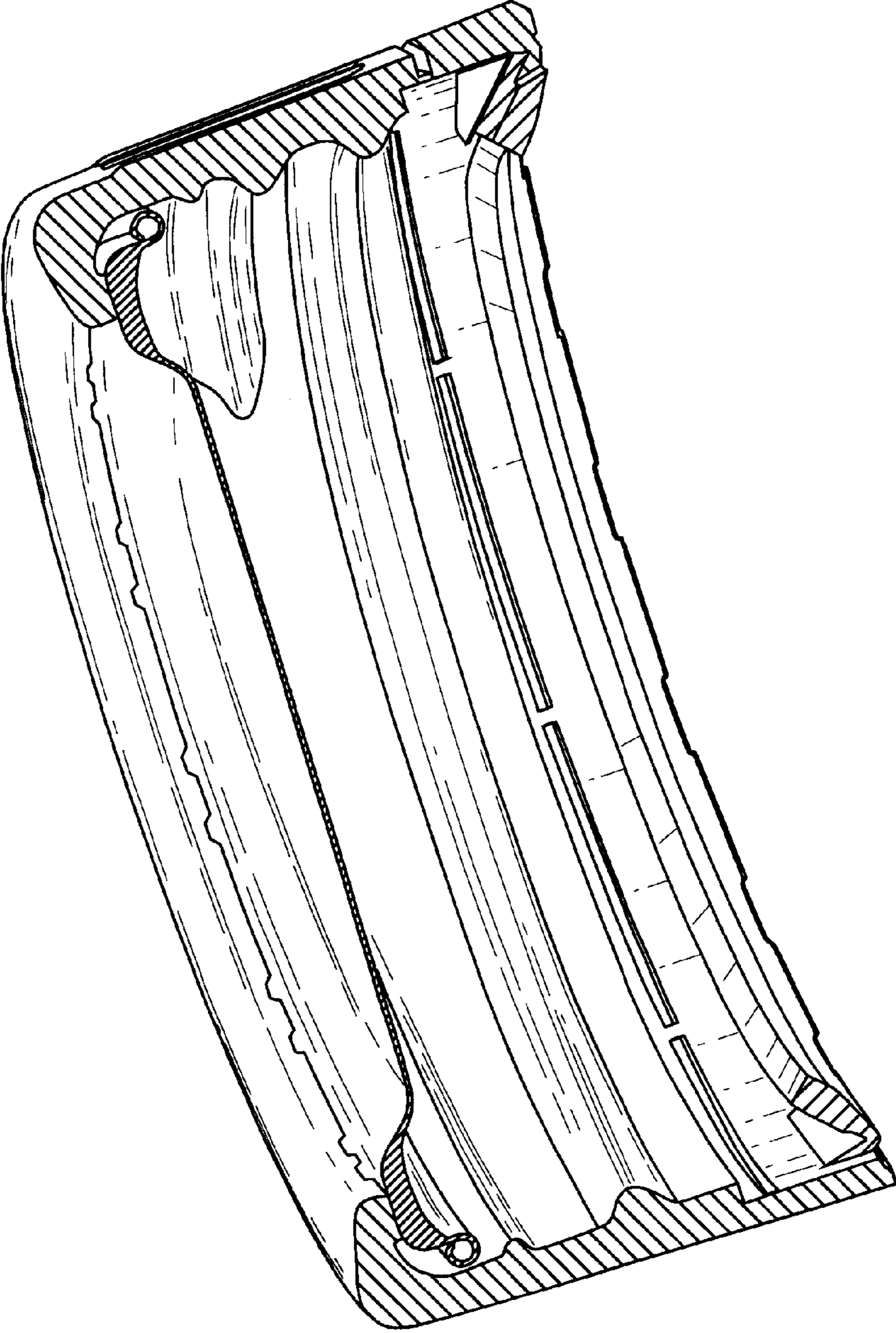


Figure 7

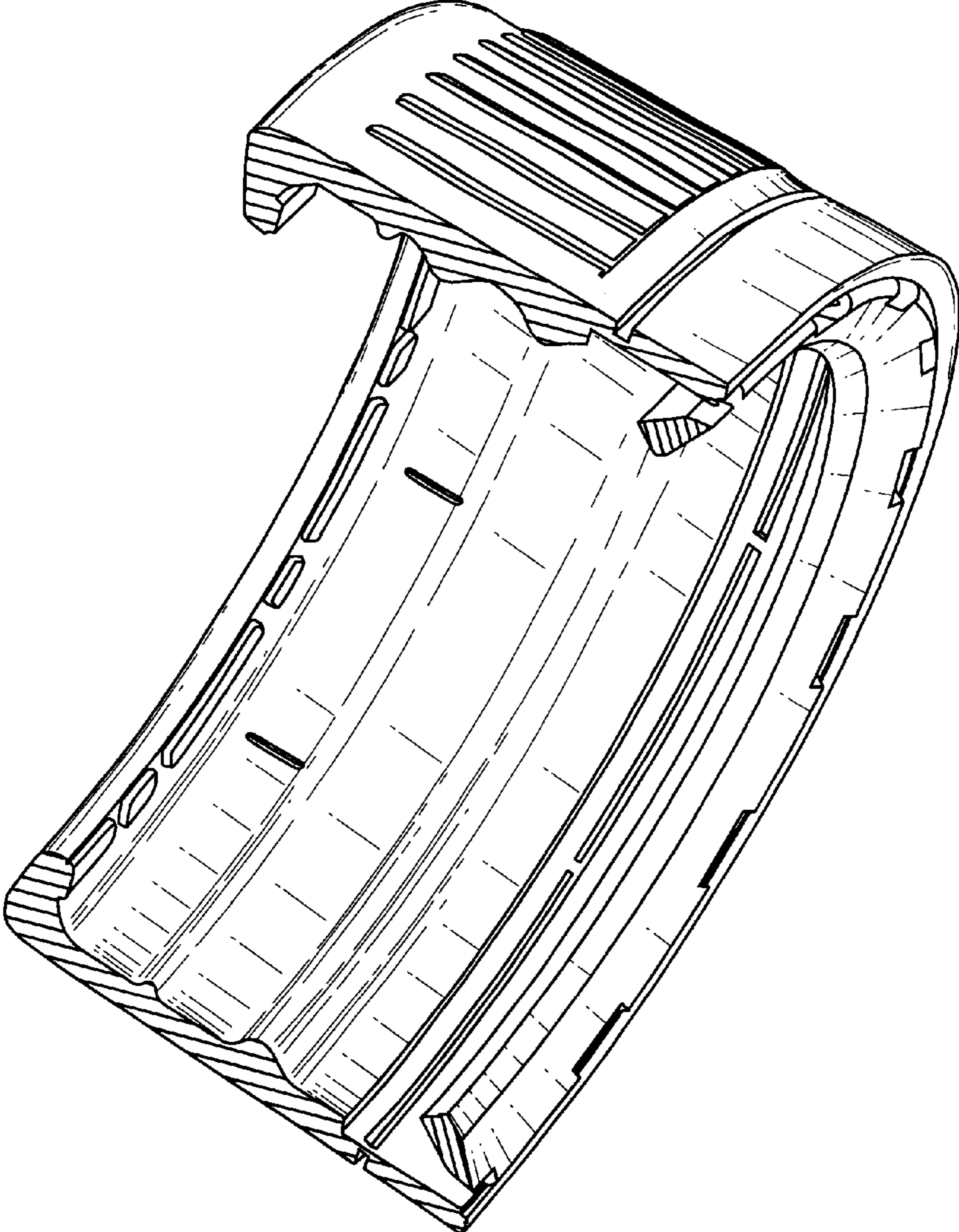


Figure 8