



US00D518714S

(12) **United States Design Patent**
Hierzer et al.

(10) **Patent No.: US D518,714 S**

(45) **Date of Patent: ** *Apr. 11, 2006**

(54) **CLOSURE**

(75) Inventors: **Valentin Hierzer**, Arlington Heights, IL
(US); **Rick Gaiser**, Burlington, WI
(US)

(73) Assignee: **Crown Packaging Technology, Inc.**,
Alsip, IL (US)

(*) Notice: This patent is subject to a terminal disclaimer.

(**) Term: **14 Years**

(21) Appl. No.: **29/208,062**

(22) Filed: **Jun. 23, 2004**

(51) **LOC (8) Cl.** **09-07**

(52) **U.S. Cl.** **D9/447; D9/435**

(58) **Field of Classification Search** D9/759,
D9/751, 741, 739, 737, 515, 499, 454, 453,
D9/434, 446-450, 439-440, 435, 436; D7/398,
D7/392; 383/80; 222/575, 566, 556, 553,
222/544-546, 491; 215/237
See application file for complete search history.

(56) **References Cited**

U.S. PATENT DOCUMENTS

- 3,212,665 A * 10/1965 Duncan D9/447
- 3,255,937 A * 6/1966 Jarrett 222/575
- 4,438,294 A * 3/1984 Meltsch et al. 174/88 R
- D301,690 S * 6/1989 Mobberley D9/454
- D354,224 S * 1/1995 Norton et al. D9/447
- D354,225 S * 1/1995 Norton et al. D9/447

- 5,579,957 A 12/1996 Gentile et al.
- D385,791 S * 11/1997 Forsyth et al. D9/447
- 5,823,387 A * 10/1998 Manadanas et al. 222/575
- 5,943,836 A * 8/1999 Kassardjian 52/301
- 6,164,503 A * 12/2000 Forsyth et al. 222/556
- D490,311 S * 5/2004 Timm D9/434

FOREIGN PATENT DOCUMENTS

WO WO 99/29585 6/1999

* cited by examiner

Primary Examiner—Robert M. Spear

Assistant Examiner—Susan Bennett Hattan

(74) *Attorney, Agent, or Firm*—Knoble Yoshida &
Dunleavy, LLC

(57) **CLAIM**

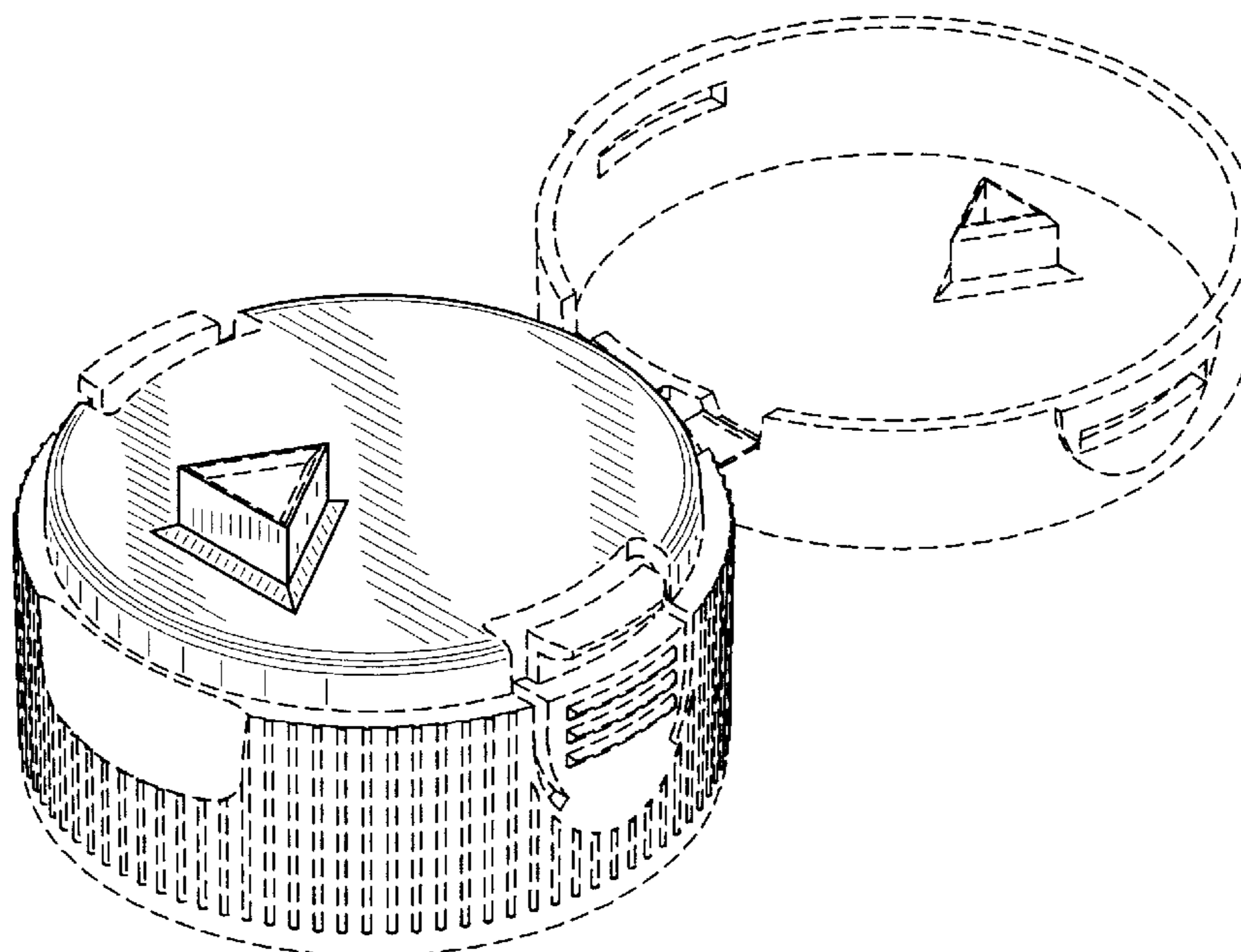
The ornamental design for a “closure,” as shown and described.

DESCRIPTION

FIG. 1 is a perspective view showing our new design;
FIG. 2 is a first side elevational view;
FIG. 3 is a second side elevational view;
FIG. 4 is a top plan view;
FIG. 5 is a bottom plan view;
FIG. 6 is a front elevational view showing a portion of the design; and,
FIG. 7 is a rear elevational view showing a portion of the design.

The broken lines in the drawings depict probable environment only and form no part of the claimed design.

1 Claim, 6 Drawing Sheets



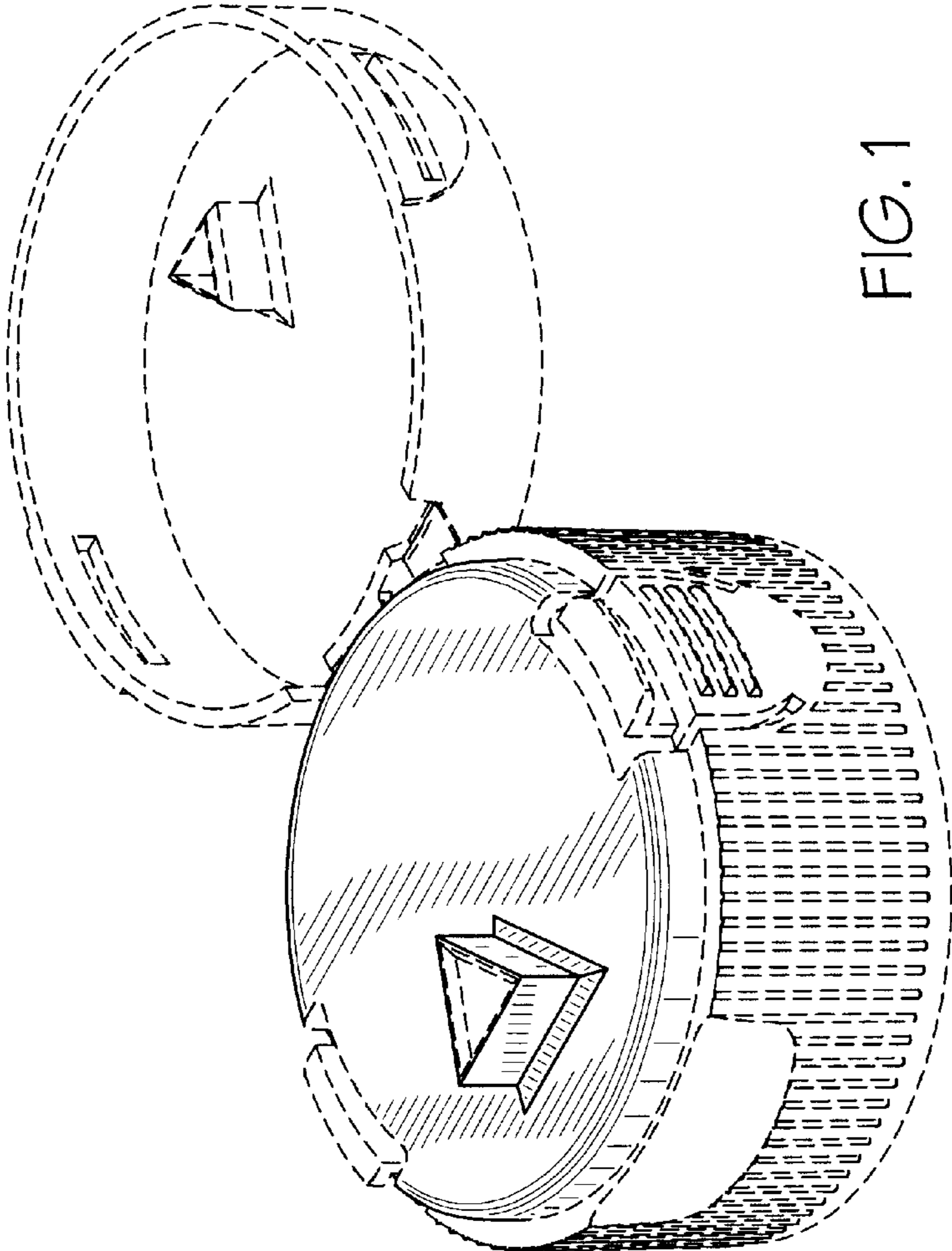


FIG. 1

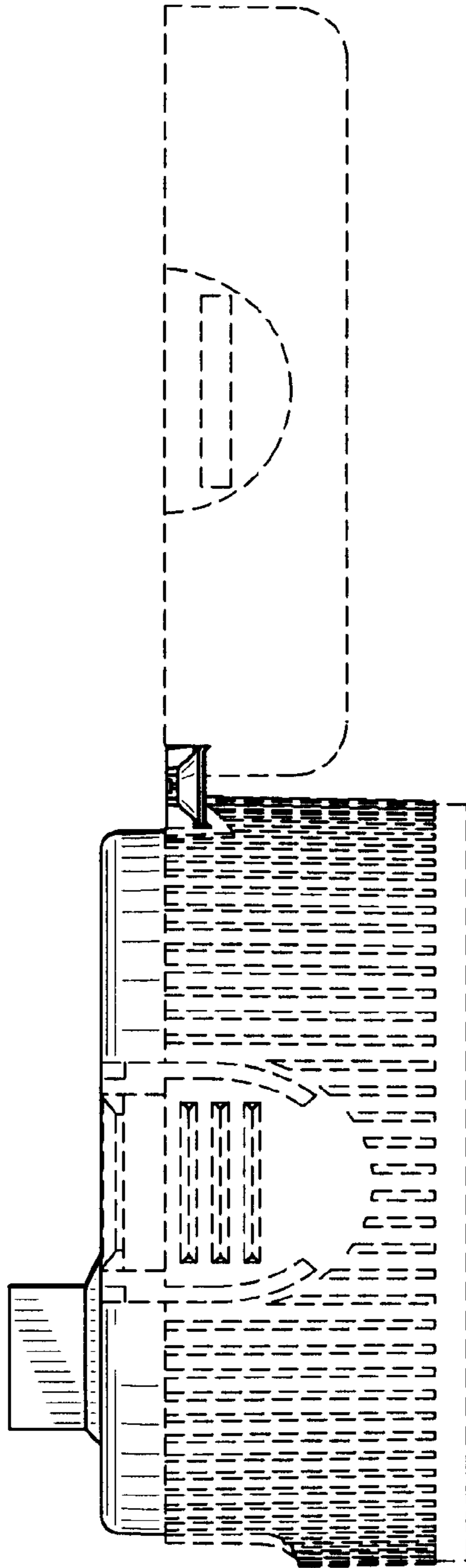


FIG. 2

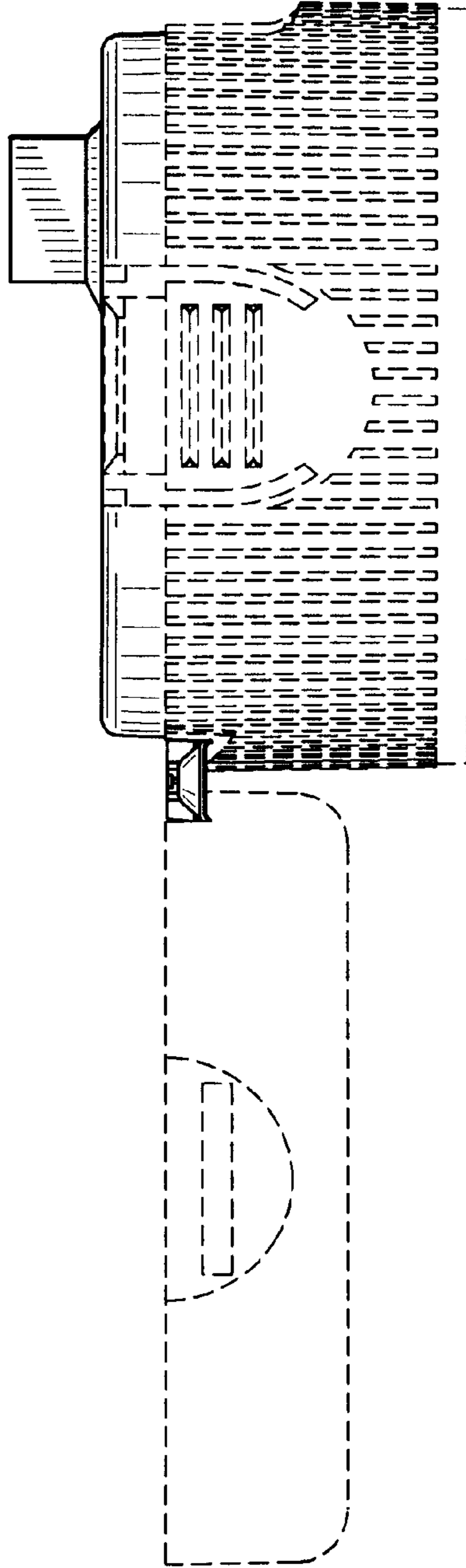


FIG. 3

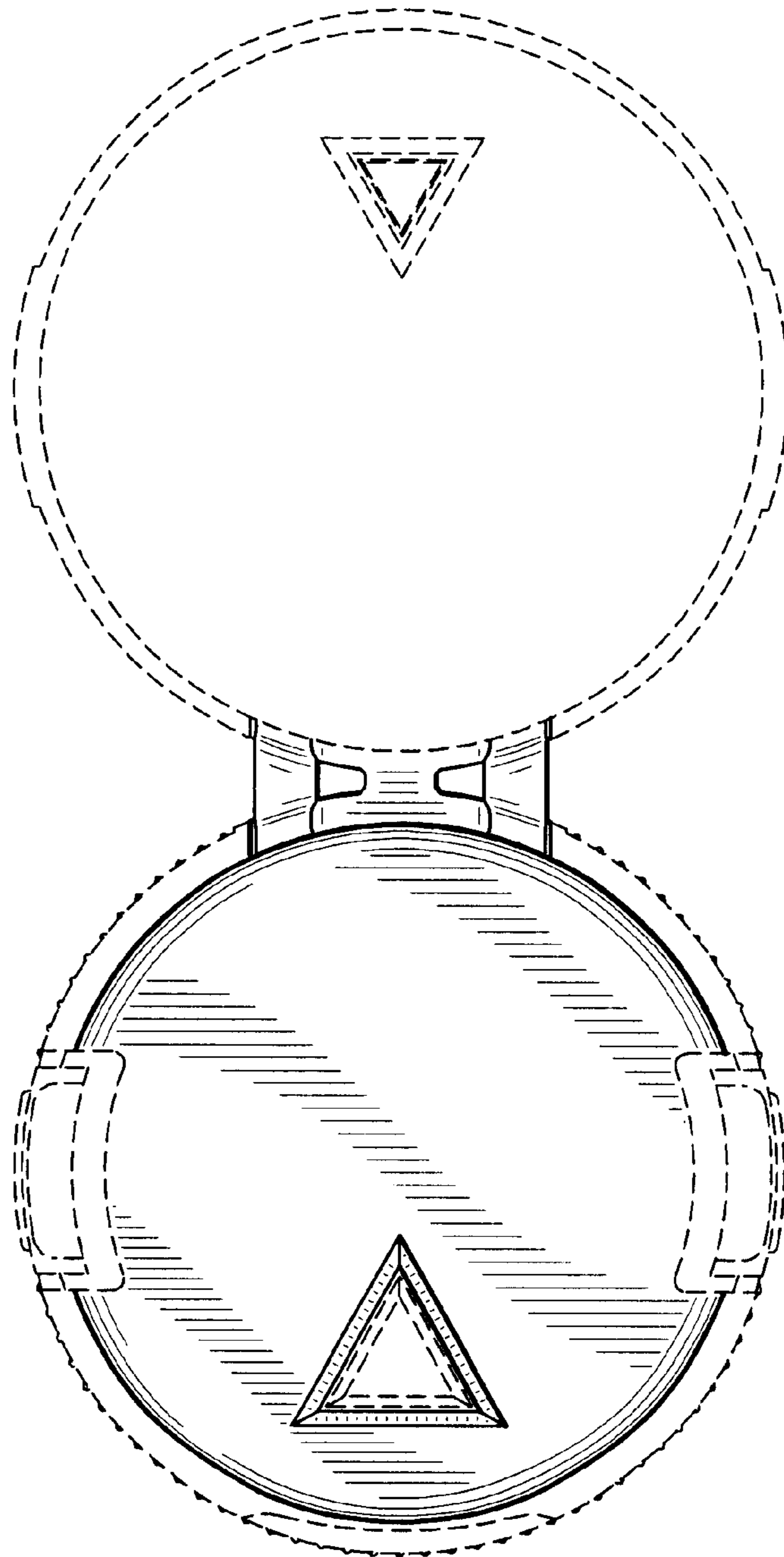


FIG. 4

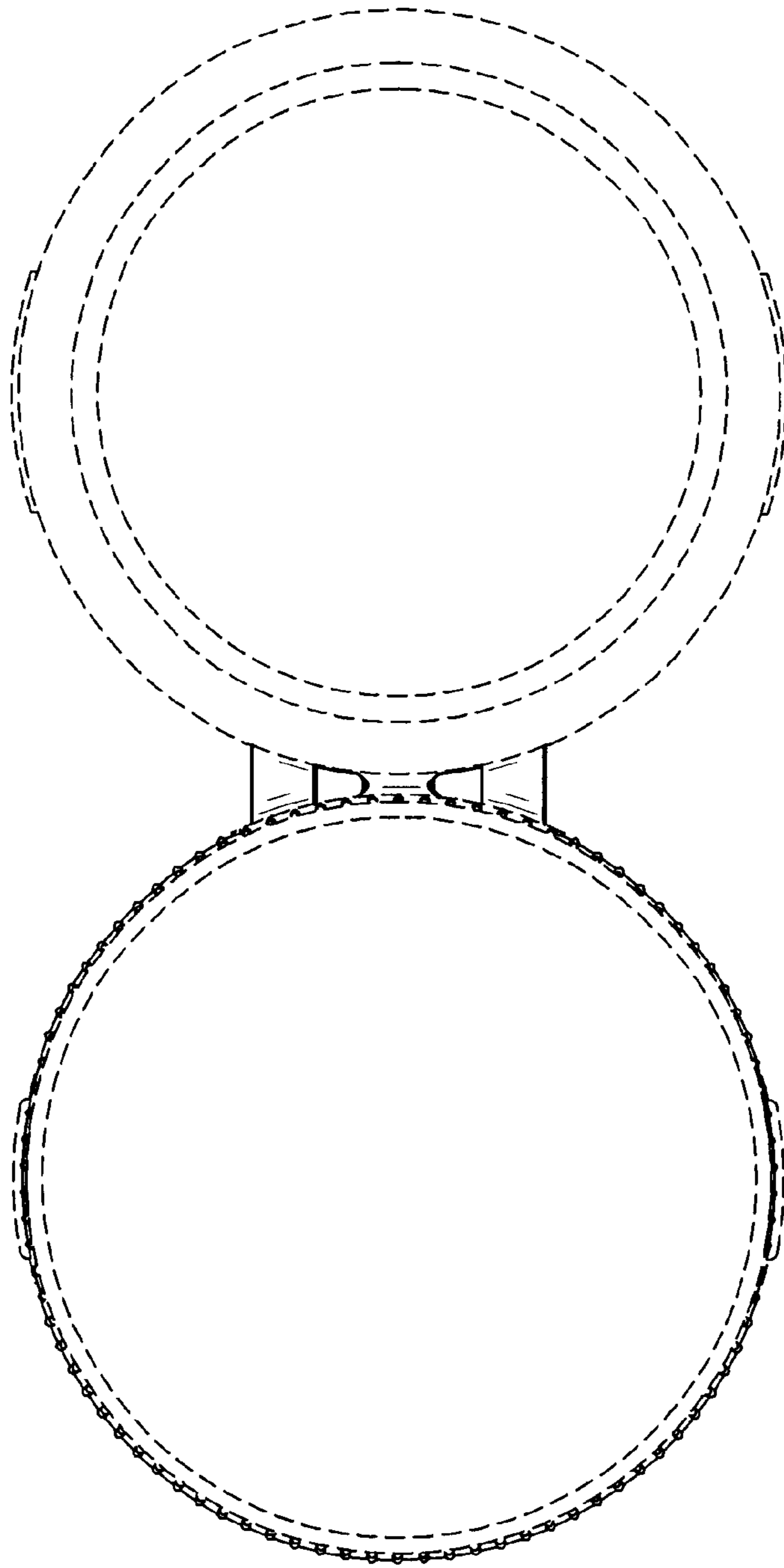


FIG. 5

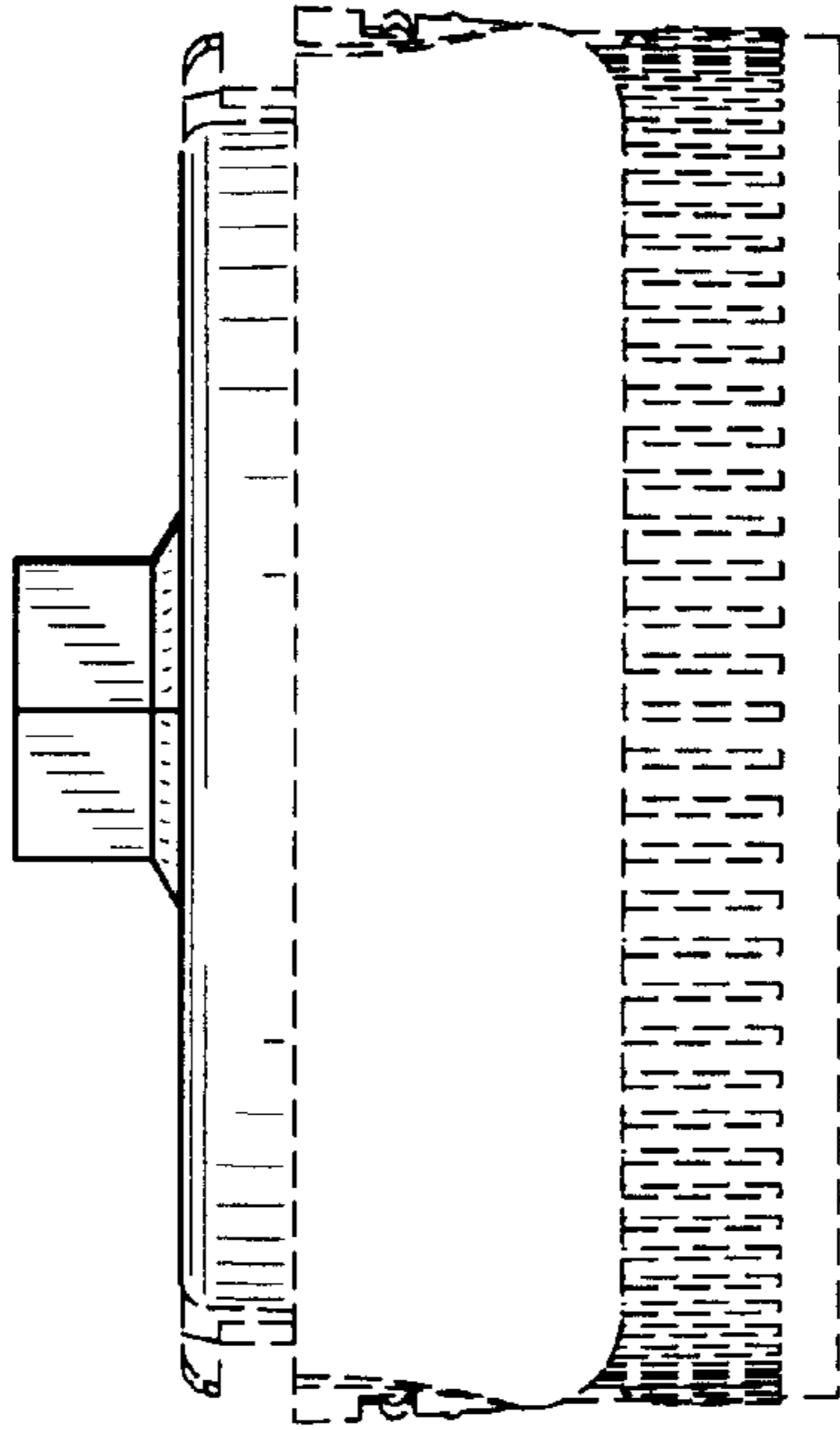


FIG. 7

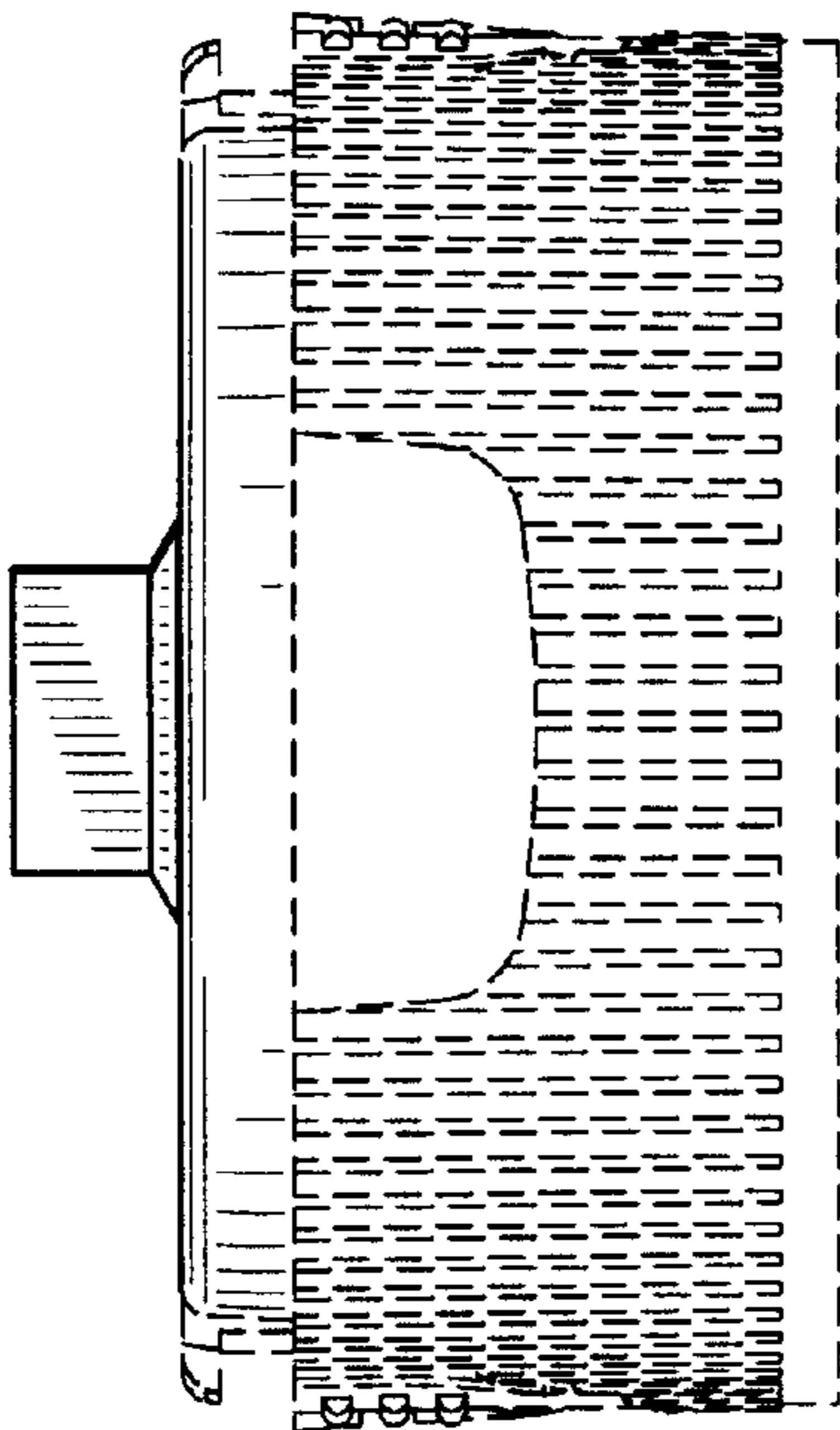


FIG. 6