



US00D518713S

(12) **United States Design Patent**
Hierzer et al.

(10) **Patent No.: US D518,713 S**

(45) **Date of Patent: ** *Apr. 11, 2006**

(54) **CLOSURE**

5,947,061 A * 9/1999 Markham et al. 119/710
D494,064 S * 8/2004 Hook D9/445

(75) Inventors: **Valentin Hierzer**, Arlington Heights, IL
(US); **Rick Gaiser**, Burlington, WI
(US)

FOREIGN PATENT DOCUMENTS

WO WO 99/29585 6/1999

(73) Assignee: **Crown Packaging Technology, Inc.**,
Alsip, IL (US)

* cited by examiner

(*) Notice: This patent is subject to a terminal dis-
claimer.

Primary Examiner—Robert M. Spear

Assistant Examiner—Susan Bennett Hattan

(74) *Attorney, Agent, or Firm*—Knoble Yoshida &
Dunleavy, LLC

(**) Term: **14 Years**

(57) **CLAIM**

(21) Appl. No.: **29/208,059**

The ornamental design for a “closure,” as shown and
described.

(22) Filed: **Jun. 23, 2004**

DESCRIPTION

(51) **LOC (8) Cl.** **09-07**

(52) **U.S. Cl.** **D9/447; D9/435**

(58) **Field of Classification Search** D9/759,
D9/751, 741, 739, 737, 515, 499, 454, 453,
D9/434, 446–450, 439–440, 435, 436; D7/398,
D7/392; 383/80; 222/575, 566, 556, 553,
222/544–546, 491; 215/237

FIG. 1 is a perspective view showing our new design;

FIG. 2 is a first side elevational view;

FIG. 3 is a second side elevational view;

FIG. 4 is a top plan view;

FIG. 5 is a bottom plan view;

FIG. 6 is a front elevational view showing a portion of the
design; and,

FIG. 7 is a rear elevational view showing a portion of the
design.

See application file for complete search history.

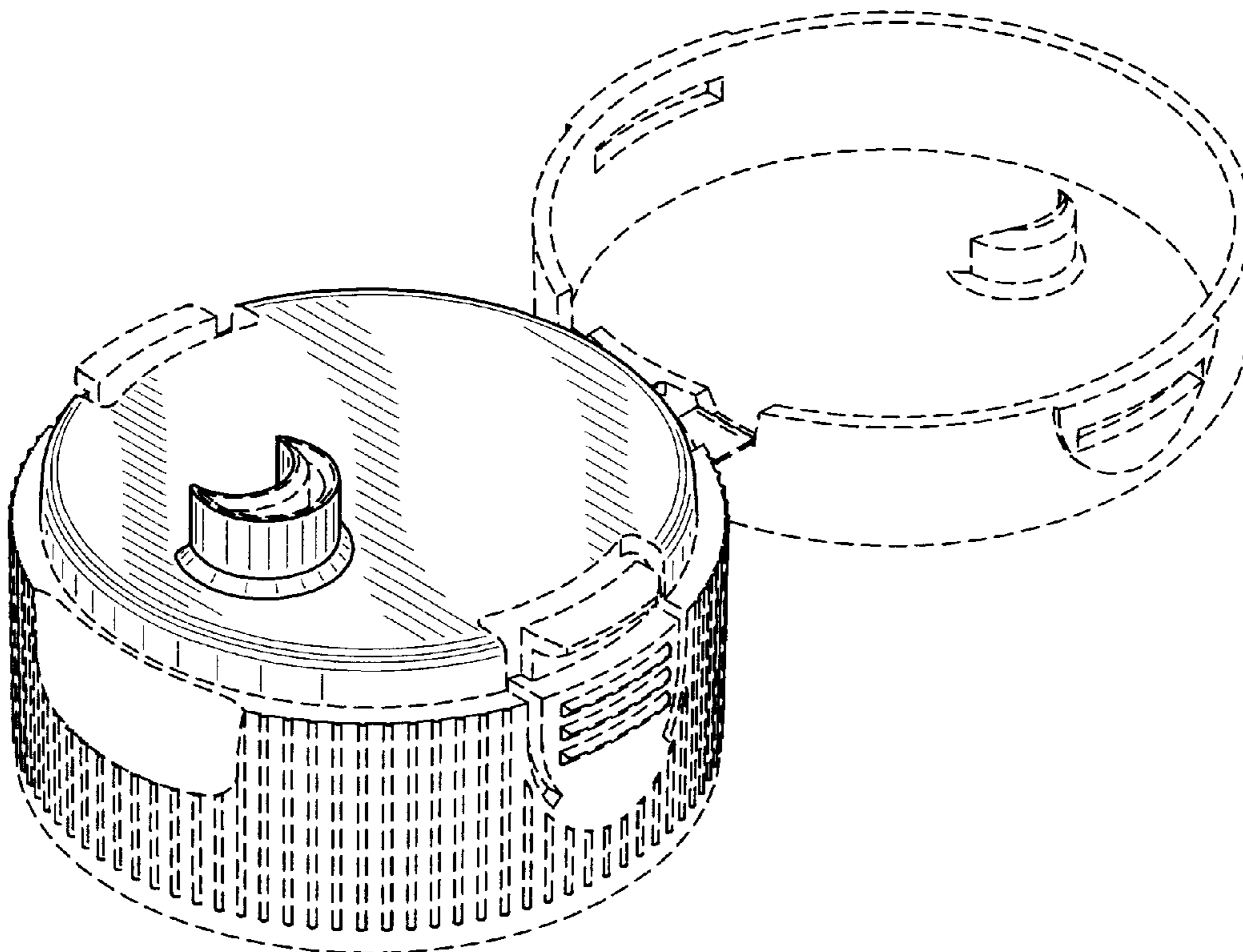
The broken lines in the drawings depict probable environ-
ment only and form no part of the claimed design.

(56) **References Cited**

U.S. PATENT DOCUMENTS

5,579,957 A 12/1996 Gentile et al.

1 Claim, 6 Drawing Sheets



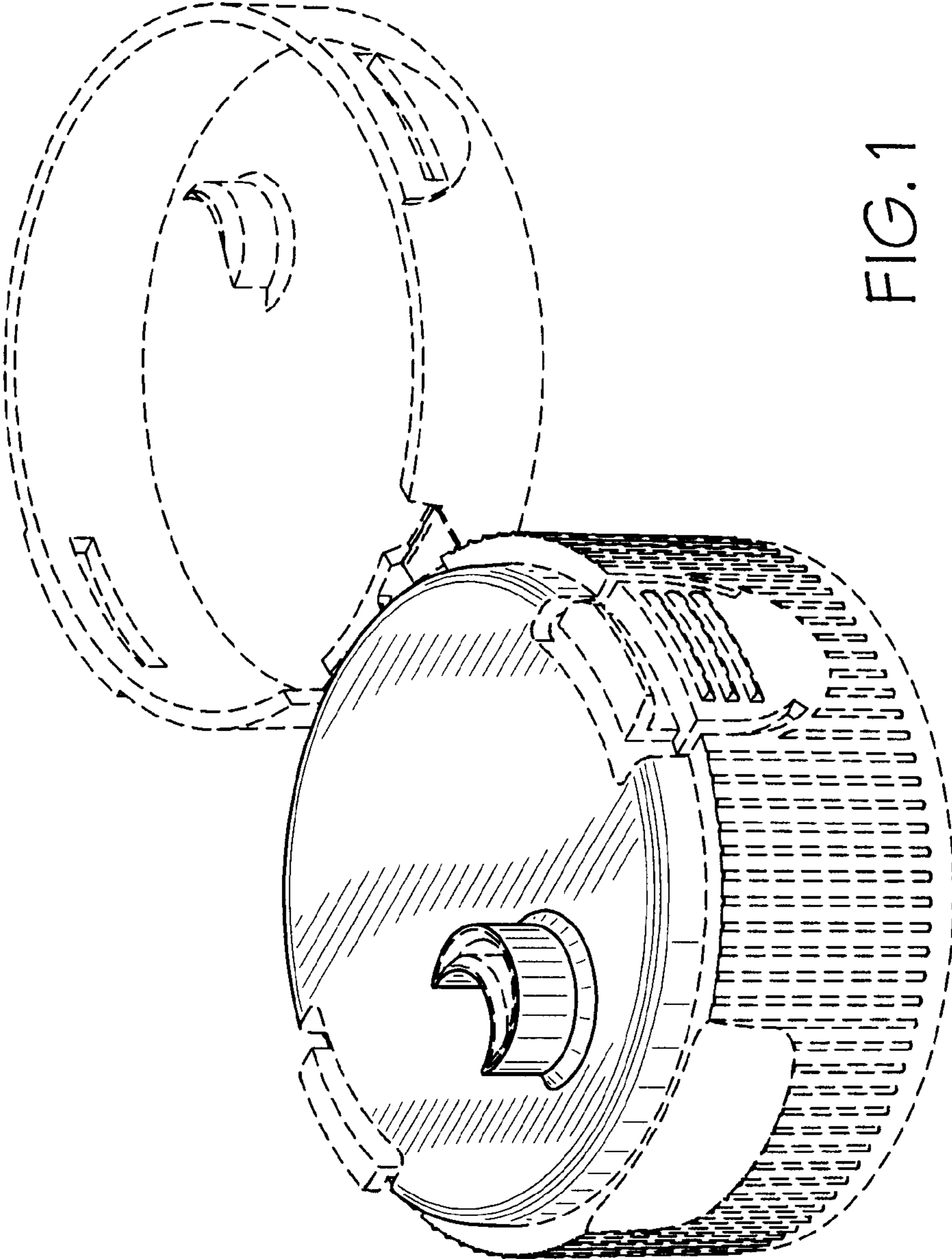


FIG. 1

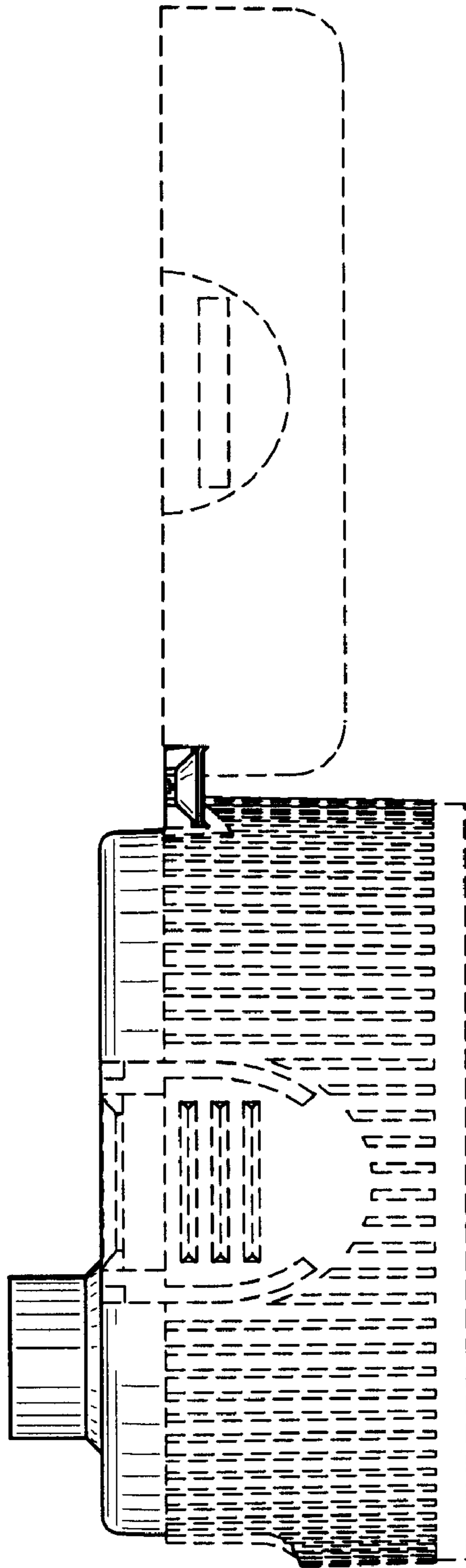


FIG. 2

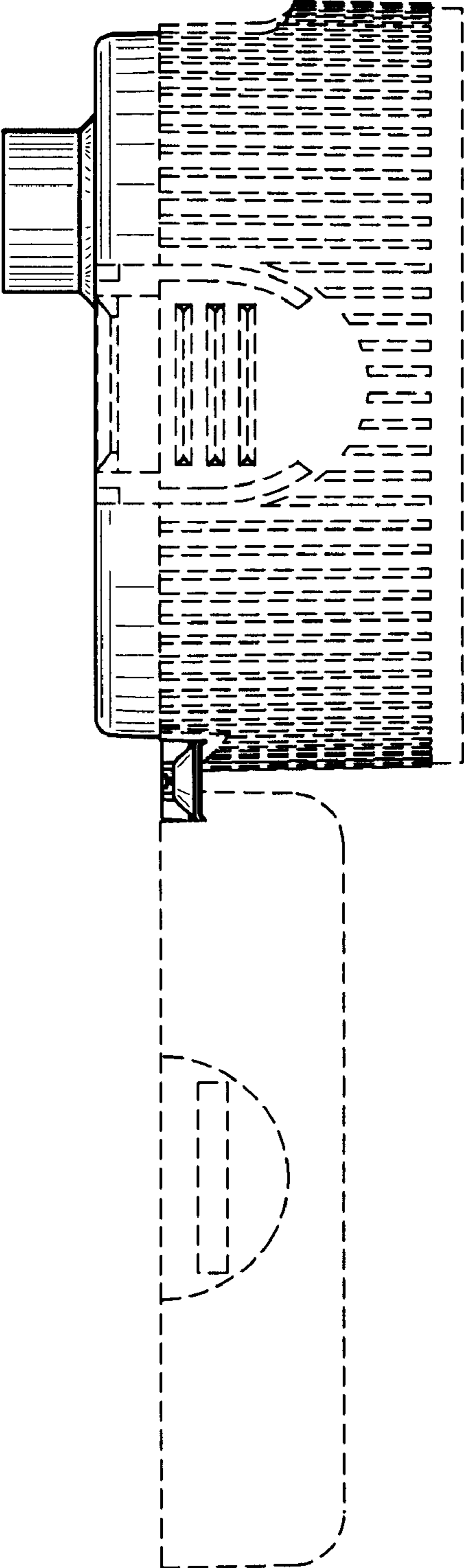


FIG. 3

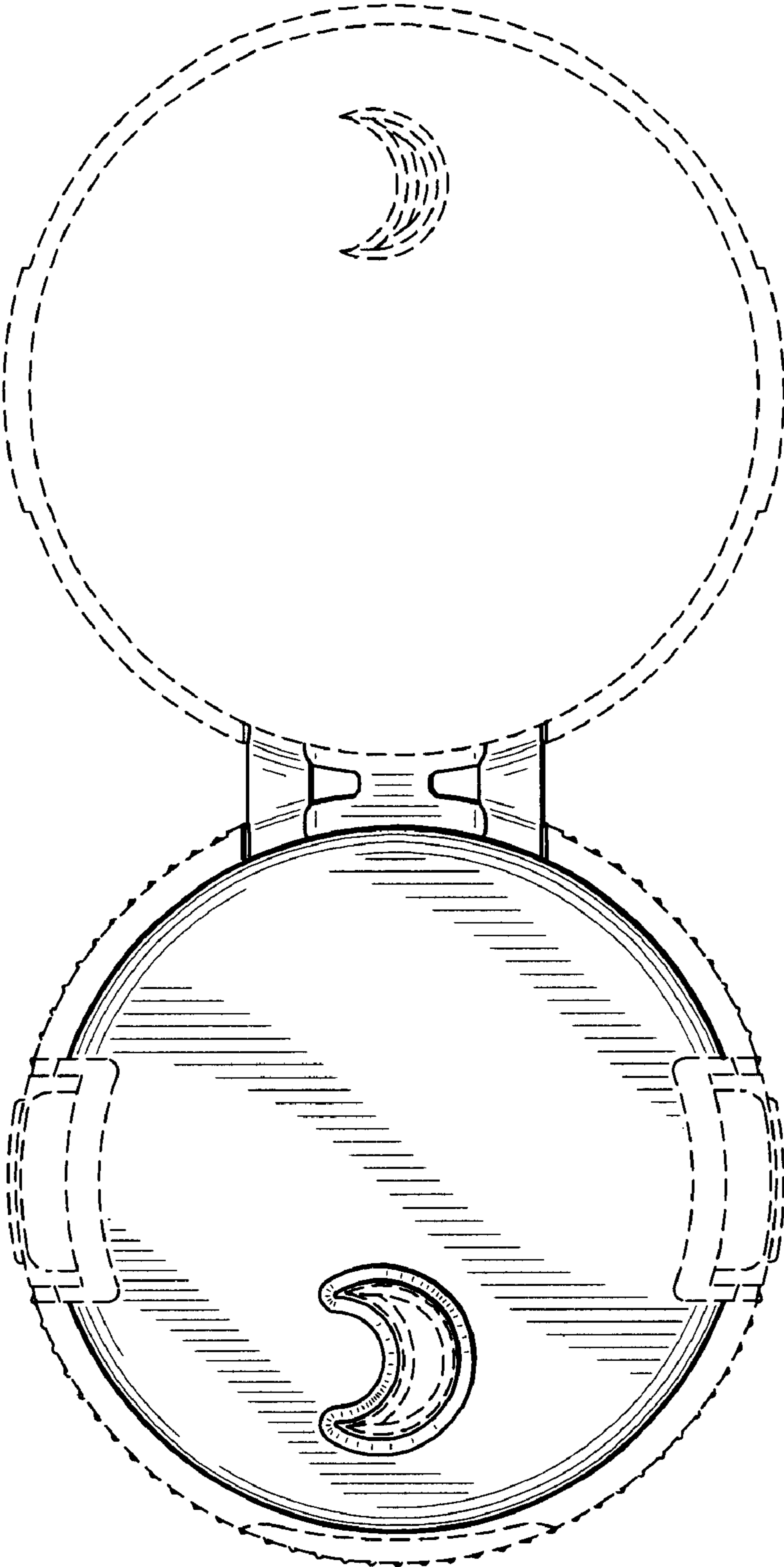


FIG. 4

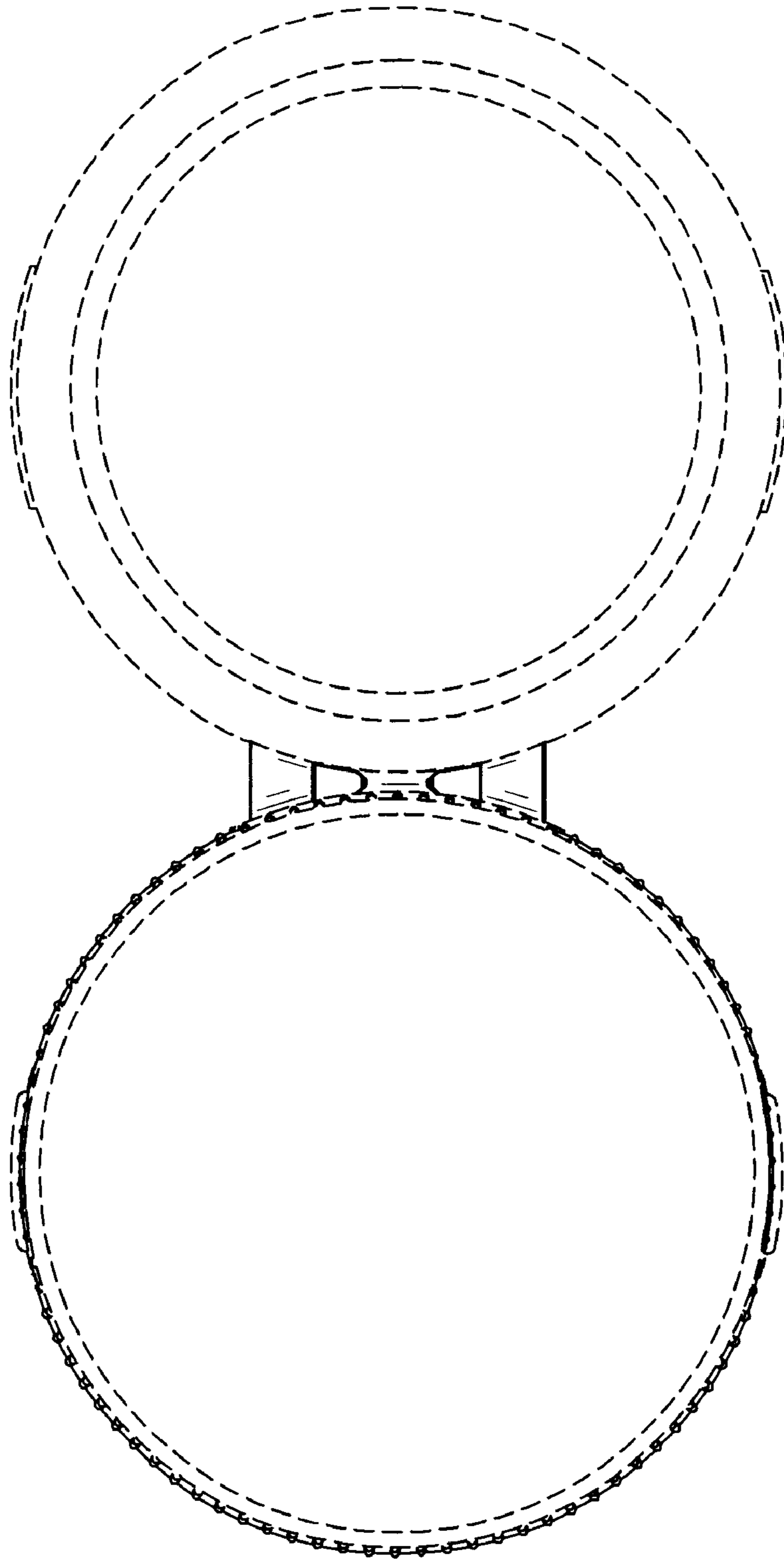


FIG. 5

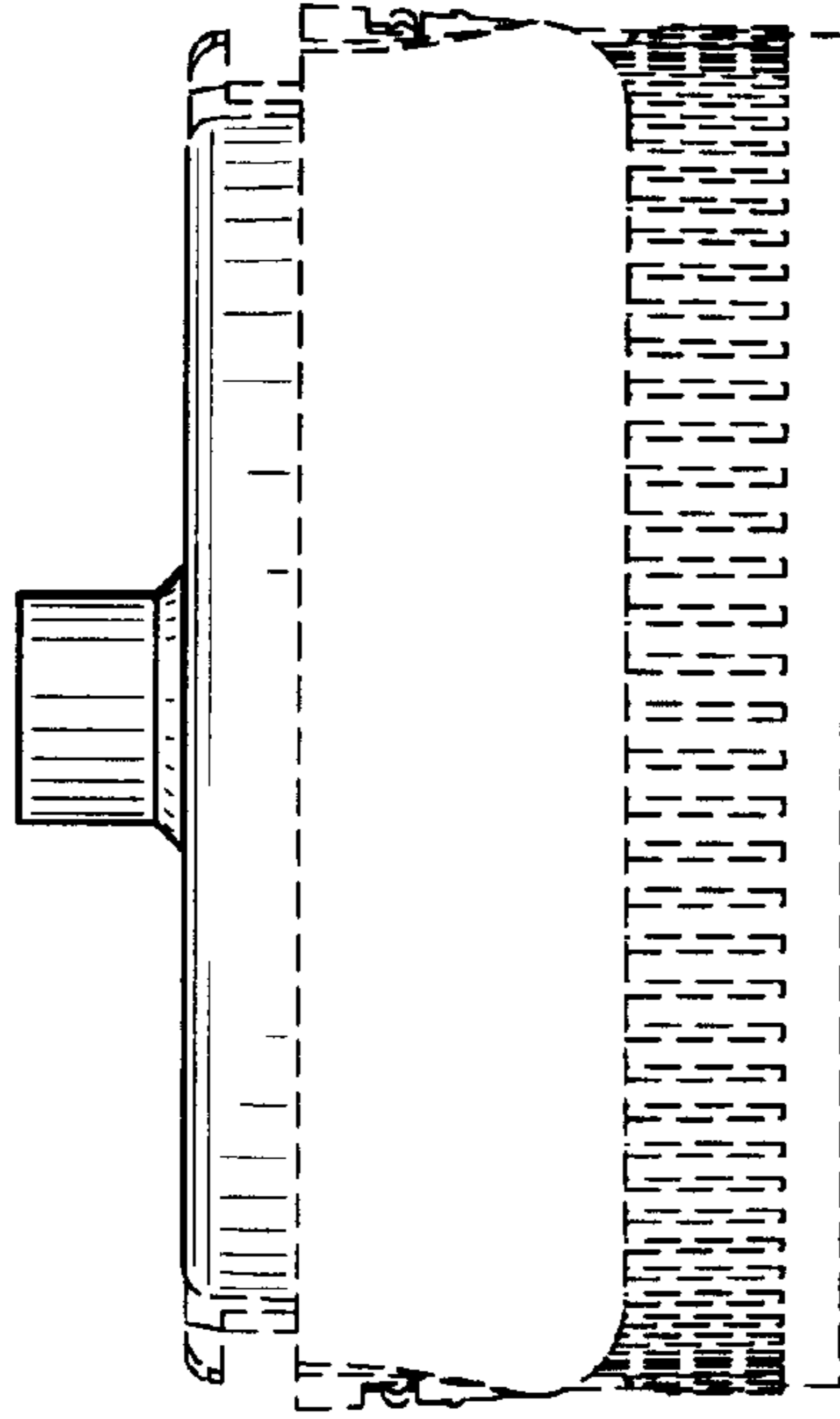


FIG. 7

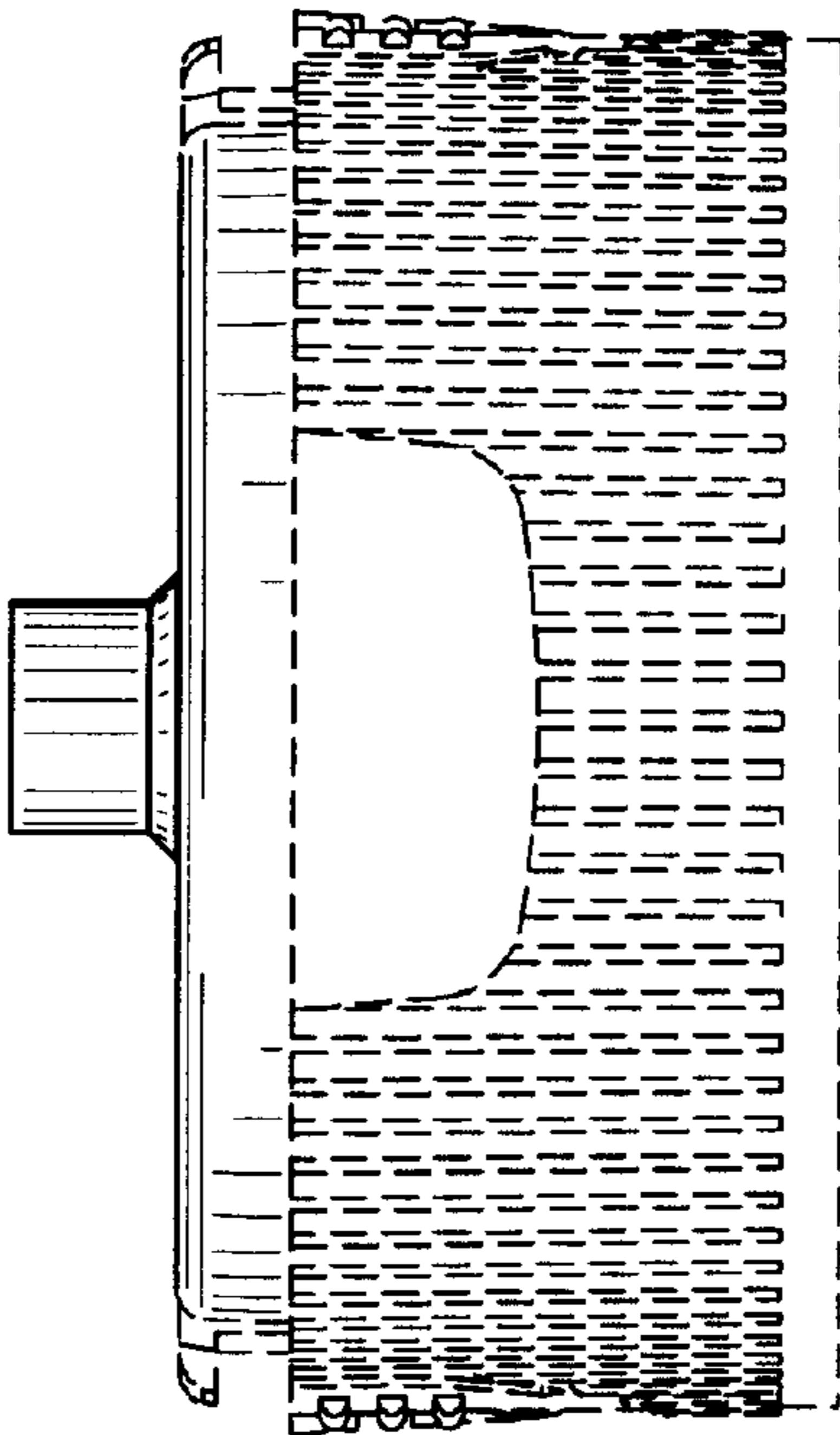


FIG. 6