



US00D518708S

(12) **United States Design Patent**  
**Ohayon**

(10) **Patent No.:** **US D518,708 S**

(45) **Date of Patent:** **\*\* Apr. 11, 2006**

(54) **STACKABLE STORAGE BOX WITH  
REMOVABLE DRAWER**

(76) Inventor: **Abraham Ohayon**, 1345 E. 38<sup>th</sup> St.,  
Brooklyn, NY (US) 11234-2807

(\*\*) Term: **14 Years**

(21) Appl. No.: **29/191,995**

(22) Filed: **Oct. 15, 2003**

(51) **LOC (8) Cl.** ..... **09-03**

(52) **U.S. Cl.** ..... **D9/414**

(58) **Field of Classification Search** ..... D9/414,  
D9/415, 416, 418; D3/273; 206/425, 508,  
206/510

See application file for complete search history.

(56) **References Cited**

**U.S. PATENT DOCUMENTS**

2,171,105	A	*	8/1939	Wurzburg	.....	312/348.3
2,634,020	A	*	4/1953	Bartholomew	.....	220/675
4,523,692	A	*	6/1985	Lemkin	.....	220/788
D297,688	S	*	9/1988	Solomon et al.	.....	D6/448
D330,813	S	*	11/1992	Spitzer et al.	.....	D6/432
5,285,900	A	*	2/1994	Swingler	.....	206/508

\* cited by examiner

*Primary Examiner*—Stella Reid

*Assistant Examiner*—Derrick Holland

(74) *Attorney, Agent, or Firm*—Frishauf, Holtz, Goodman  
& Chick, P.C.

(57) **CLAIM**

The ornamental design for a stackable storage box with  
removable drawer, as shown and described.

**DESCRIPTION**

FIG. 1 is a top, front, left side perspective view of a  
stackable storage box with removable drawer showing my  
new design;

FIG. 2 is a front elevational view thereof;

FIG. 3 is a rear elevational view thereof;

FIG. 4 is a left side elevational view thereof, the right side  
elevational view being a mirror image;

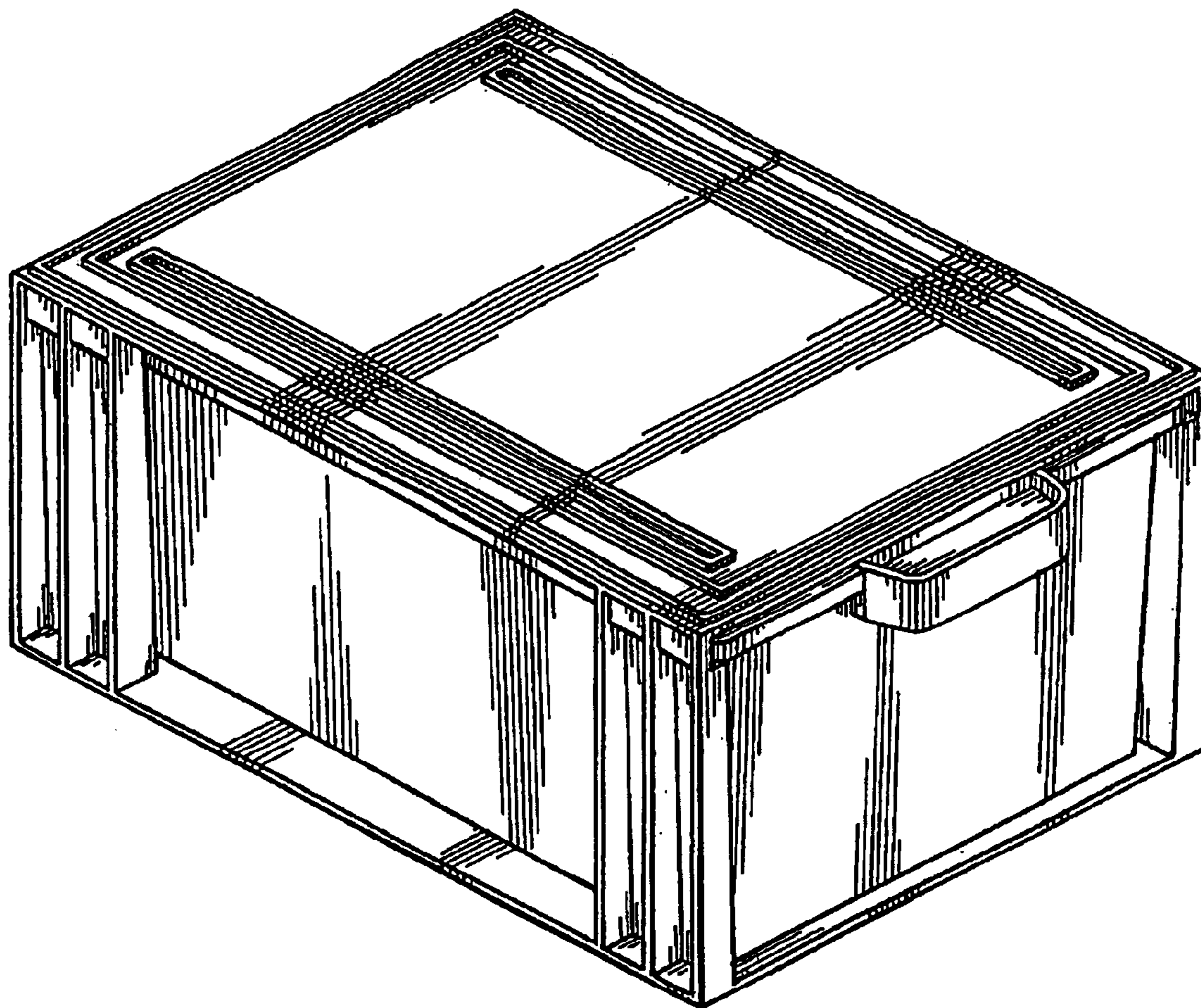
FIG. 5 is a top plan view thereof;

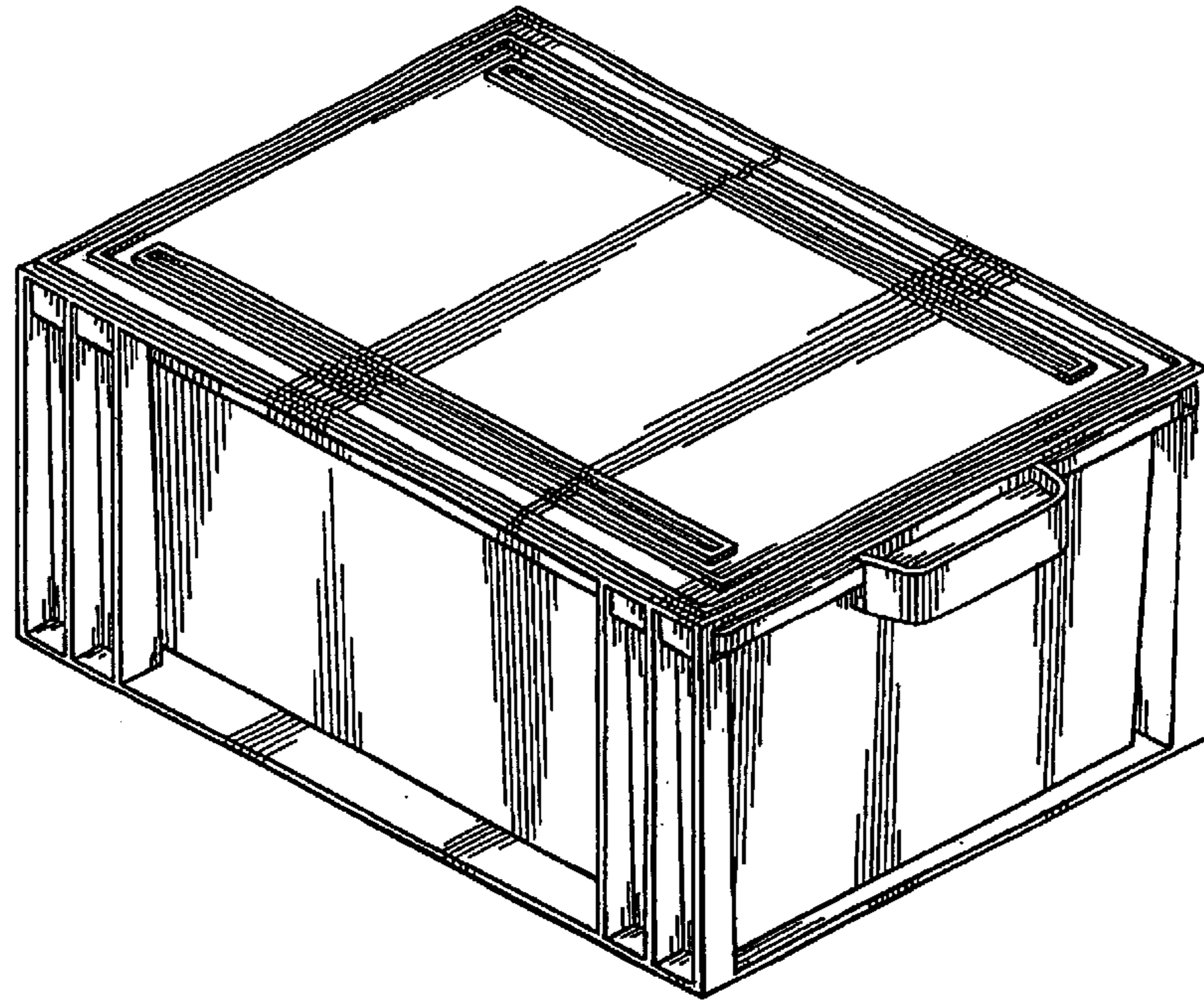
FIG. 6 is a bottom plan view thereof; and,

FIG. 7 is a front elevation view thereof.

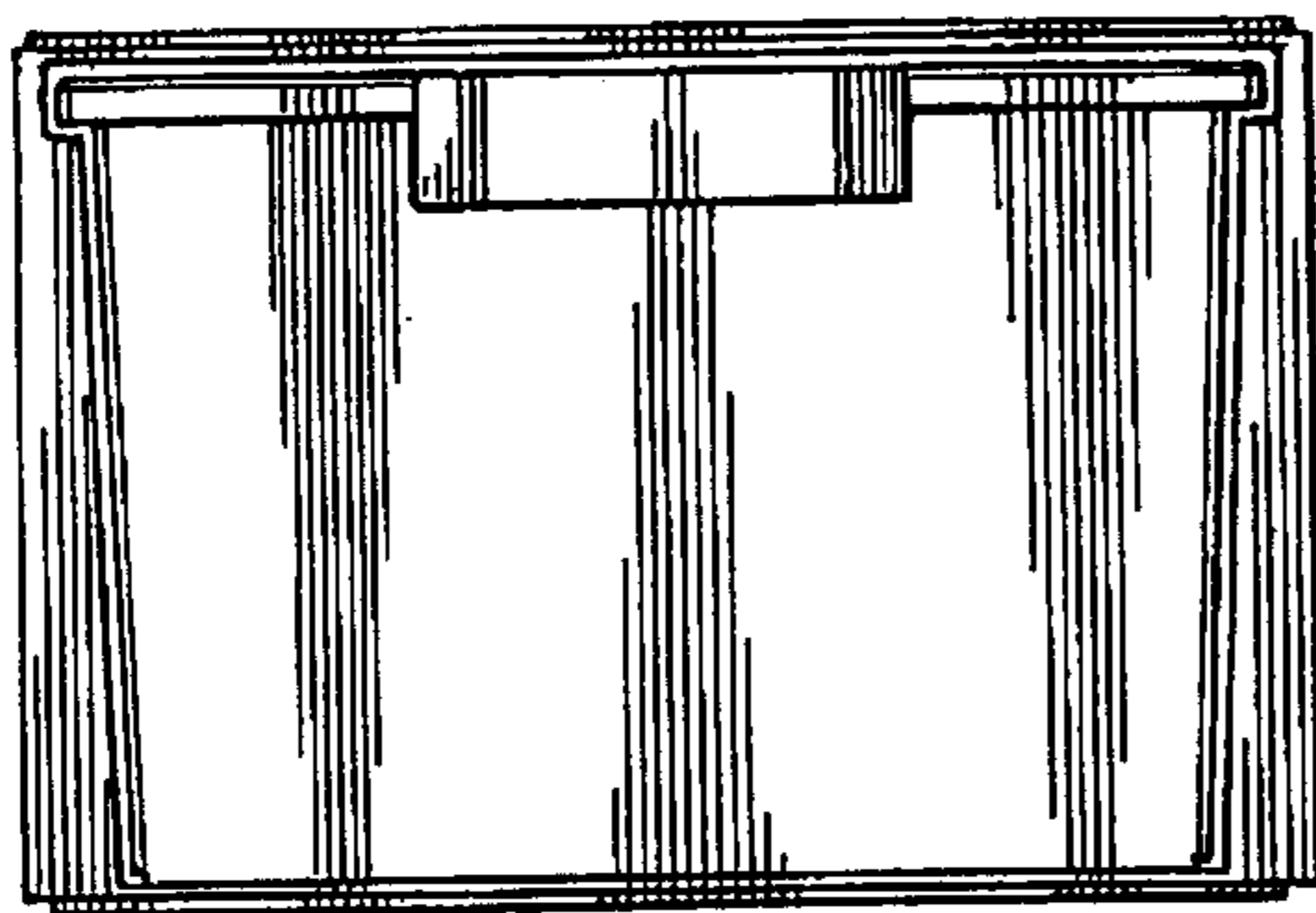
The broken line(s) showing is for illustrative purposes only  
and forms no part of the claimed design.

**1 Claim, 3 Drawing Sheets**

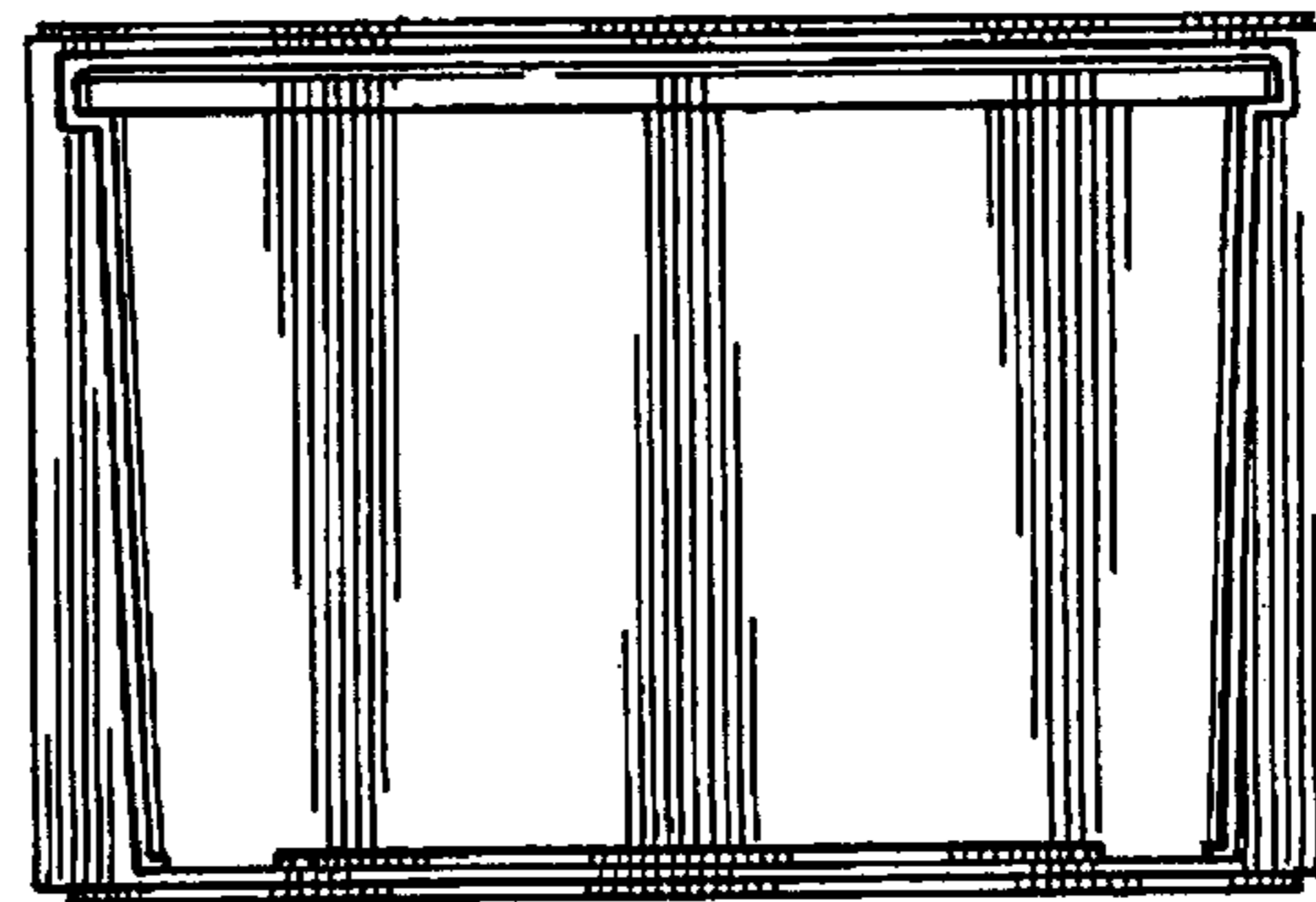




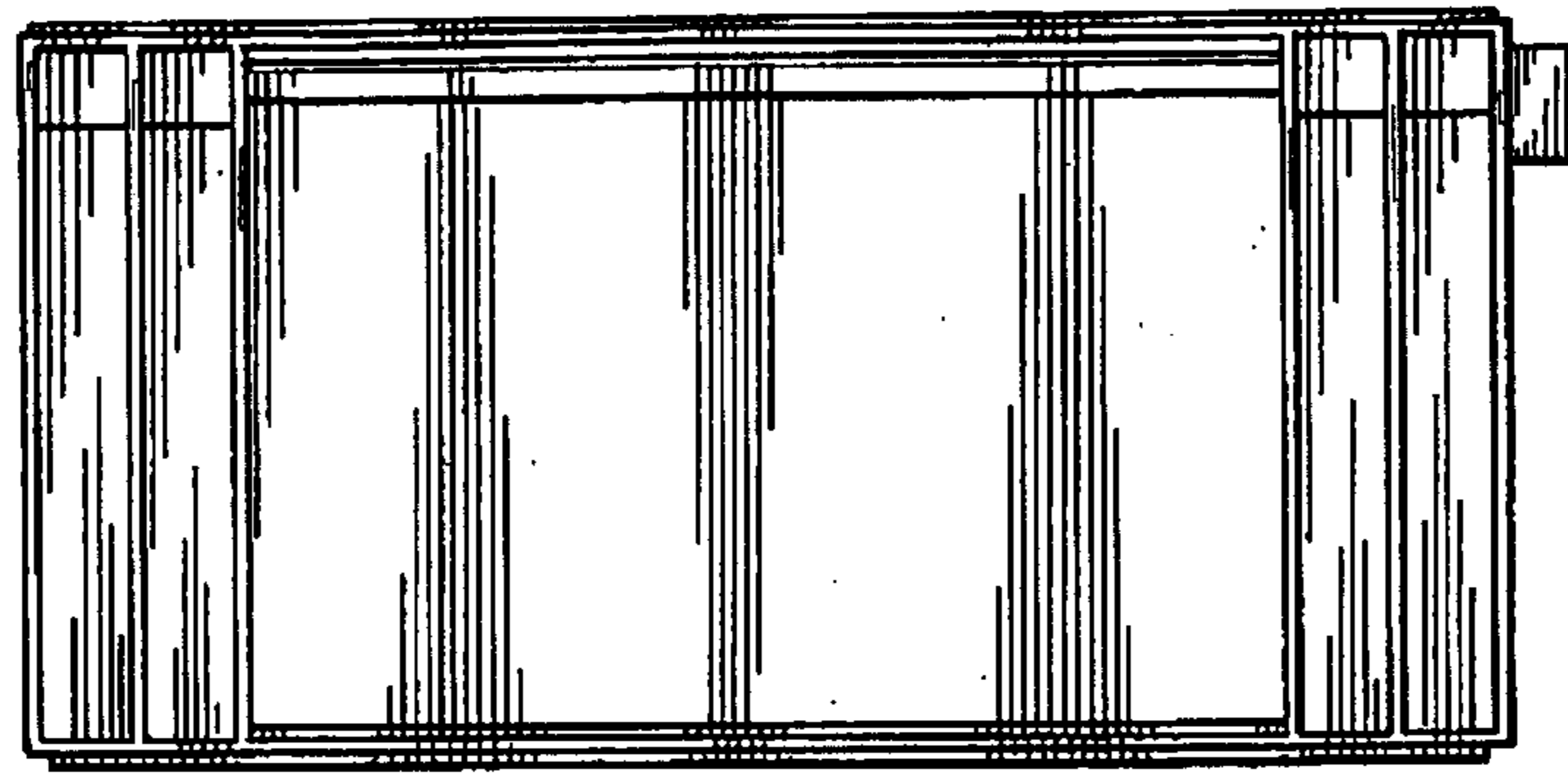
*Fig. 1*



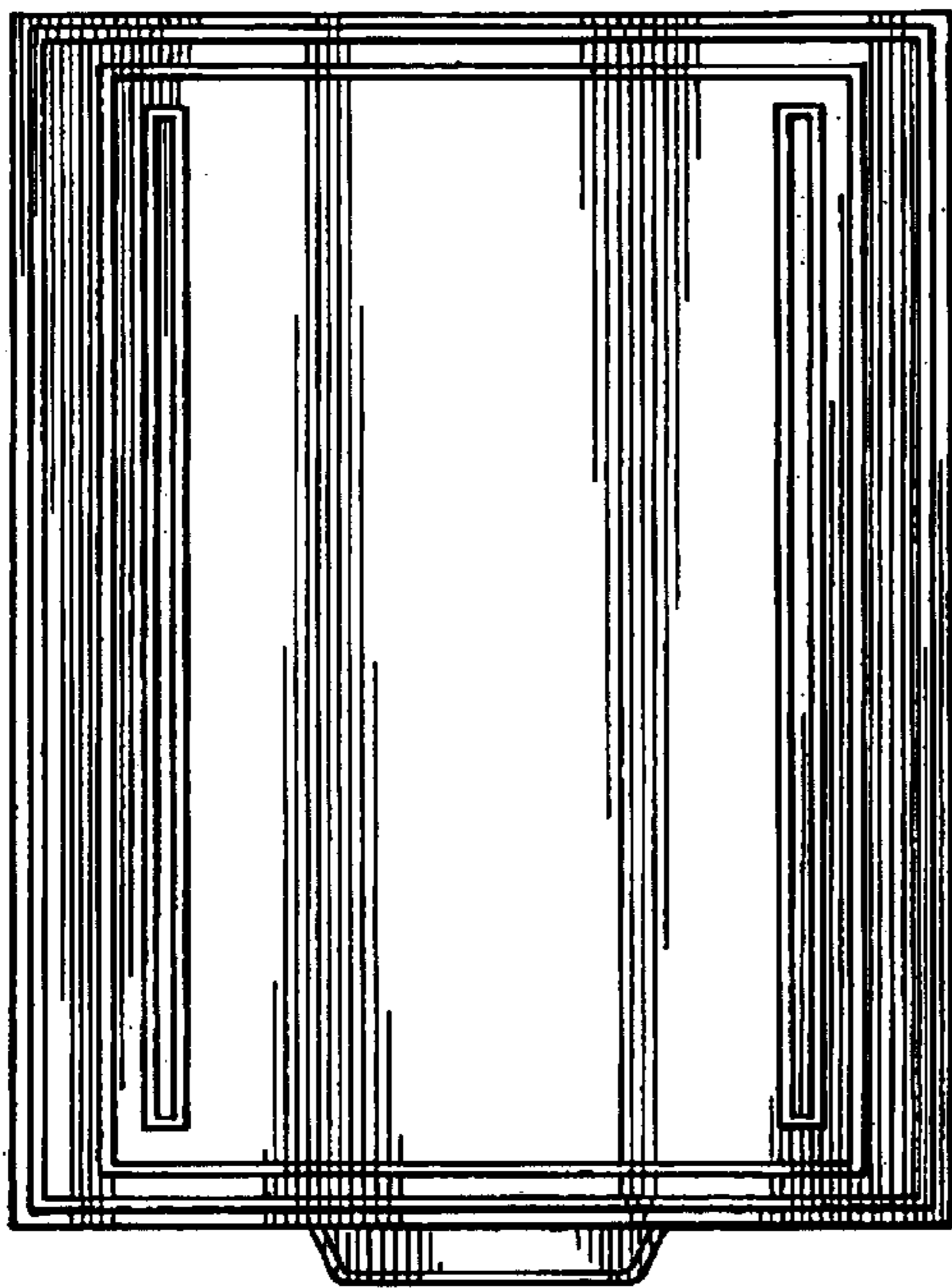
*Fig. 2*



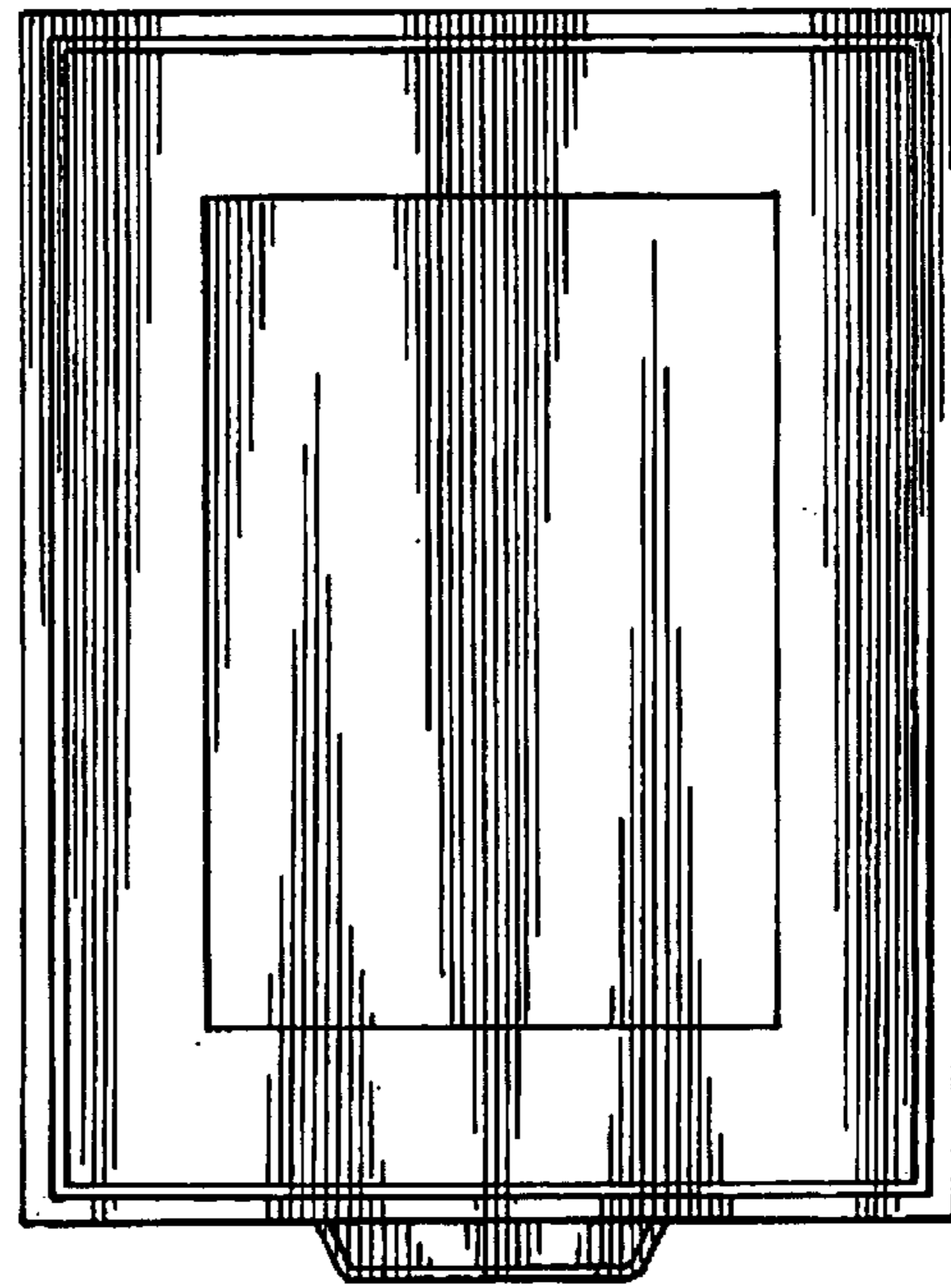
*Fig. 3*



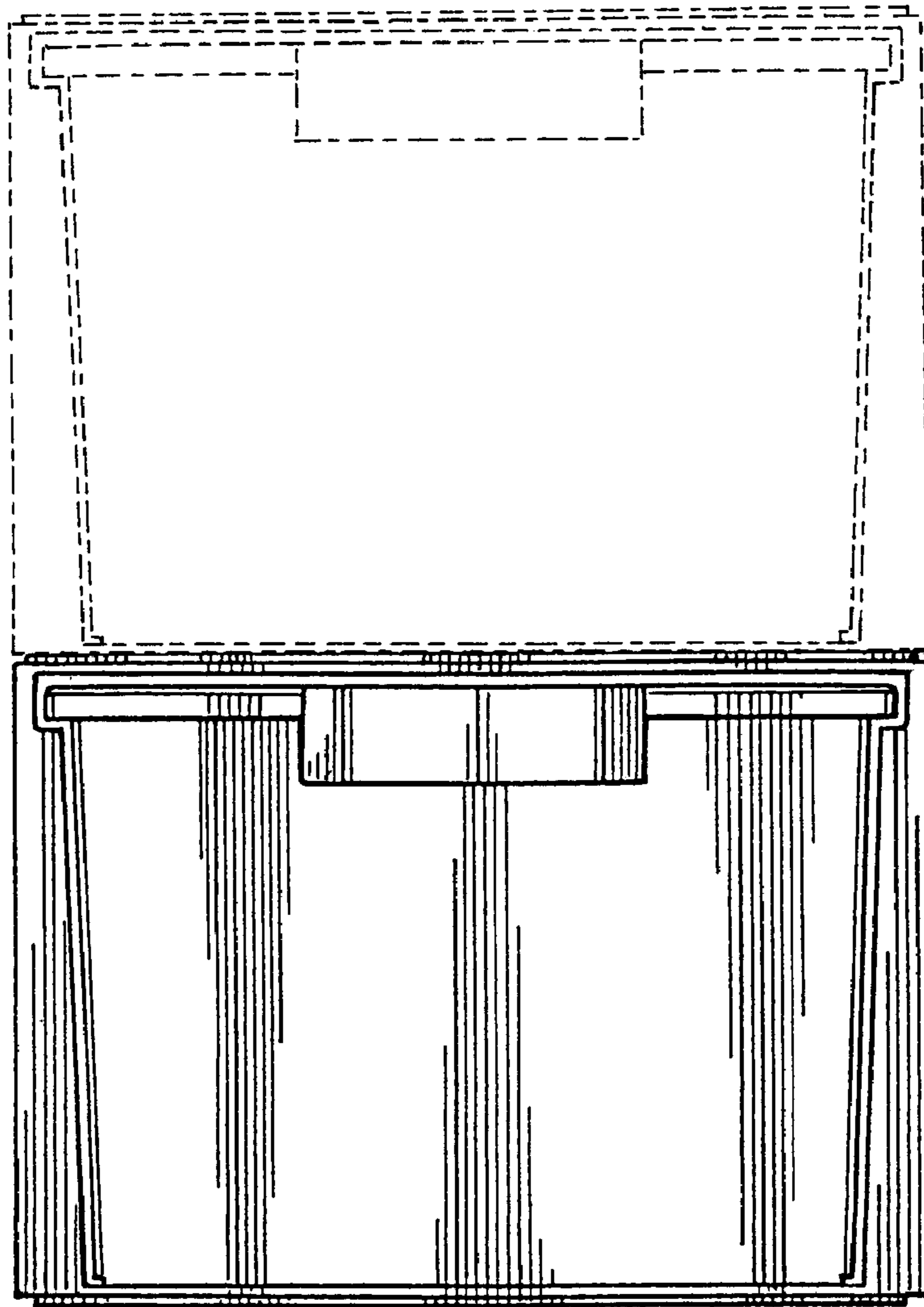
*Fig. 4*



*Fig. 5*



*Fig. 6*



*Fig. 7*