

US00D518705S

(12) **United States Design Patent**
Lin

(10) **Patent No.:** **US D518,705 S**

(45) **Date of Patent:** **** Apr. 11, 2006**

(54) **STANDOFF**

(75) **Inventor:** **Liner Lin, Taipei (TW)**

(73) **Assignee:** **Inventec Corporation, Taipei (TW)**

(**) **Term:** **14 Years**

(21) **Appl. No.:** **29/196,102**

(22) **Filed:** **Dec. 23, 2003**

(51) **LOC (8) Cl.** **08-05**

(52) **U.S. Cl.** **D8/363**

(58) **Field of Classification Search** D8/354,
D8/363, 349, 499, 367, 378; D6/549, 524,
D6/545; 248/309.2, 300, 200, 309.1; 211/41.17;
361/752

See application file for complete search history.

(56) **References Cited**

U.S. PATENT DOCUMENTS

D139,145 S * 10/1944 Sadowski D6/549
D379,424 S * 5/1997 White et al. D8/354
D436,275 S * 1/2001 Lai D6/524
D439,139 S * 3/2001 Kuo D8/363

D442,073 S * 5/2001 Lyndon D8/367
6,424,537 B1 * 7/2002 Paquin et al. 361/752
D485,486 S * 1/2004 Fuchs D8/367
D497,751 S * 11/2004 Roberts et al. D6/524
D498,377 S * 11/2004 Pan D6/524
D504,309 S * 4/2005 Fuchs D8/367

* cited by examiner

Primary Examiner—Stella Reid

Assistant Examiner—Mark A. Goodwin

(74) *Attorney, Agent, or Firm*—Birch, Stewart, Kolasch & Birch, LLP

(57) **CLAIM**

The ornamental design for a standoff, as shown and described.

DESCRIPTION

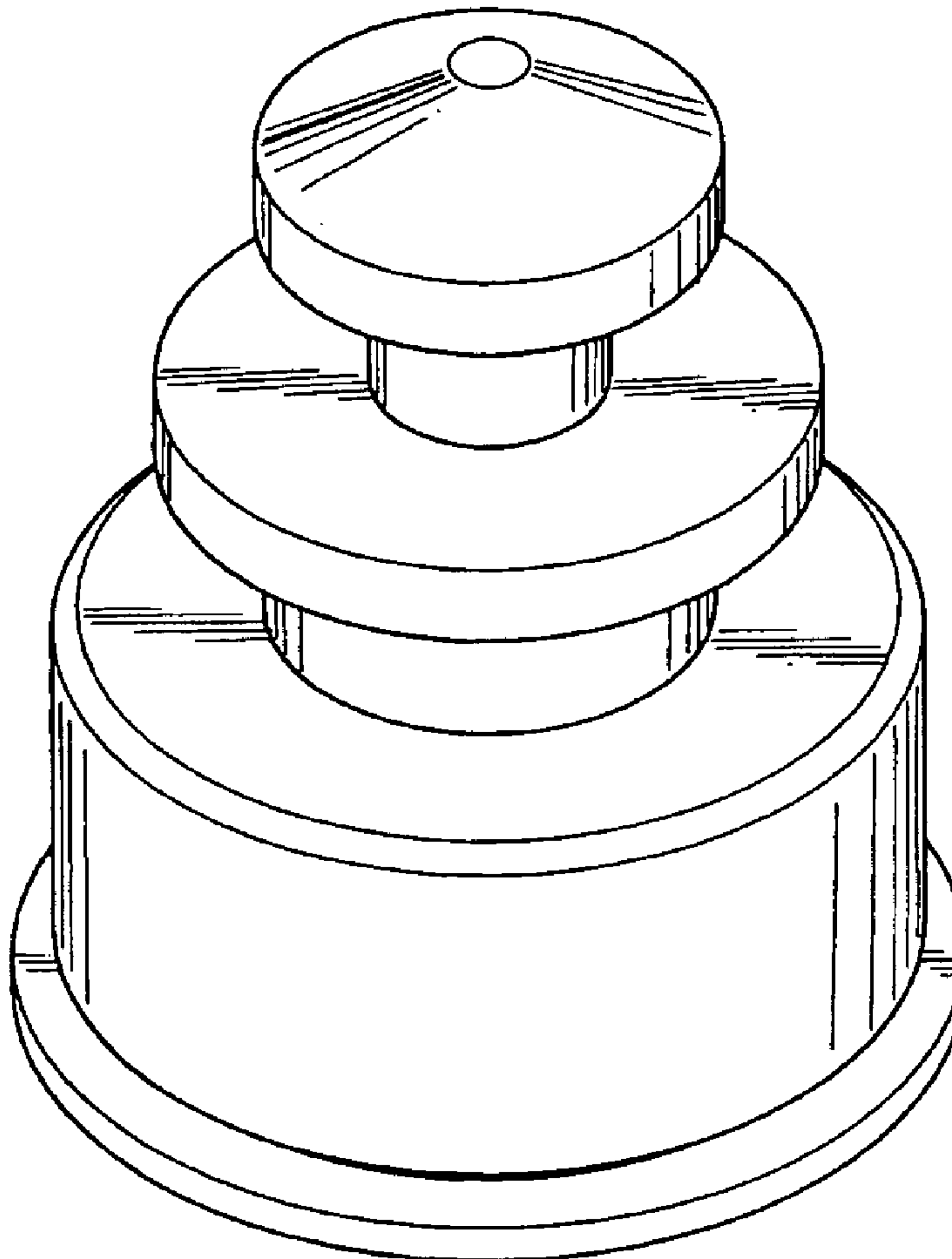
FIG. 1 is a perspective view of a standoff showing our new design;

FIG. 2 is side elevational view thereof;

FIG. 3 is a top view thereof; and,

FIG. 4 is a bottom view thereof.

1 Claim, 2 Drawing Sheets



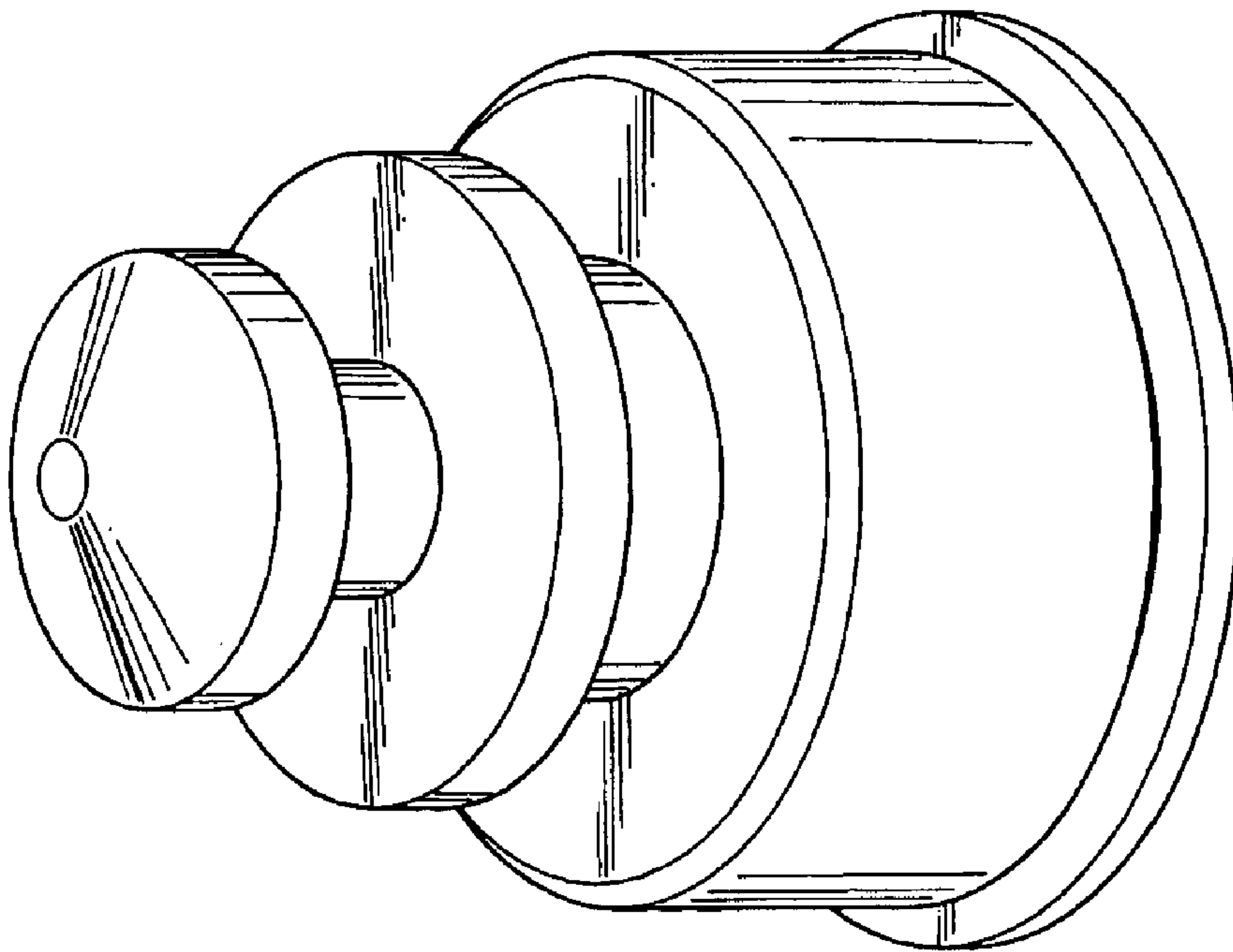


FIG. 1

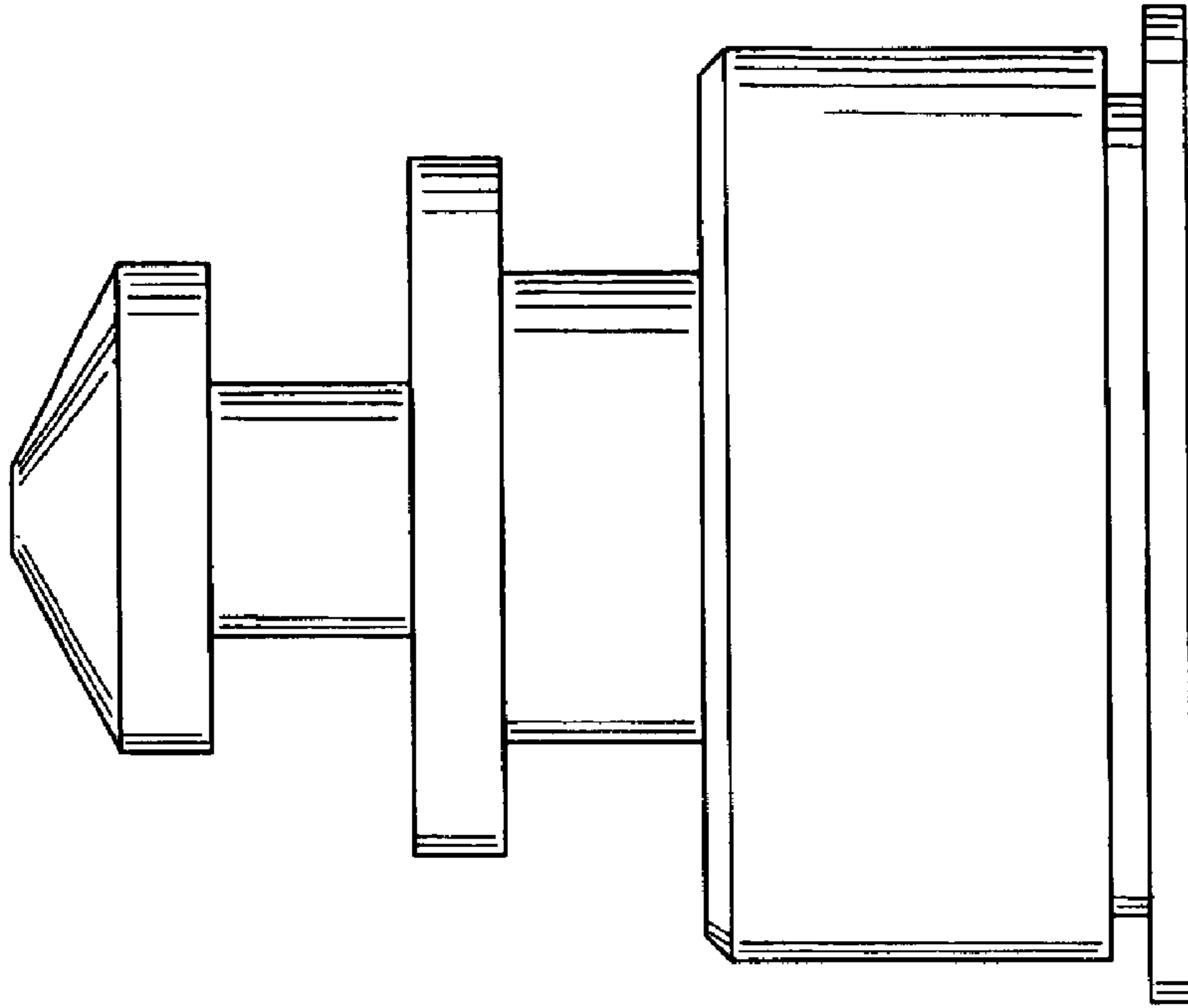


FIG. 2

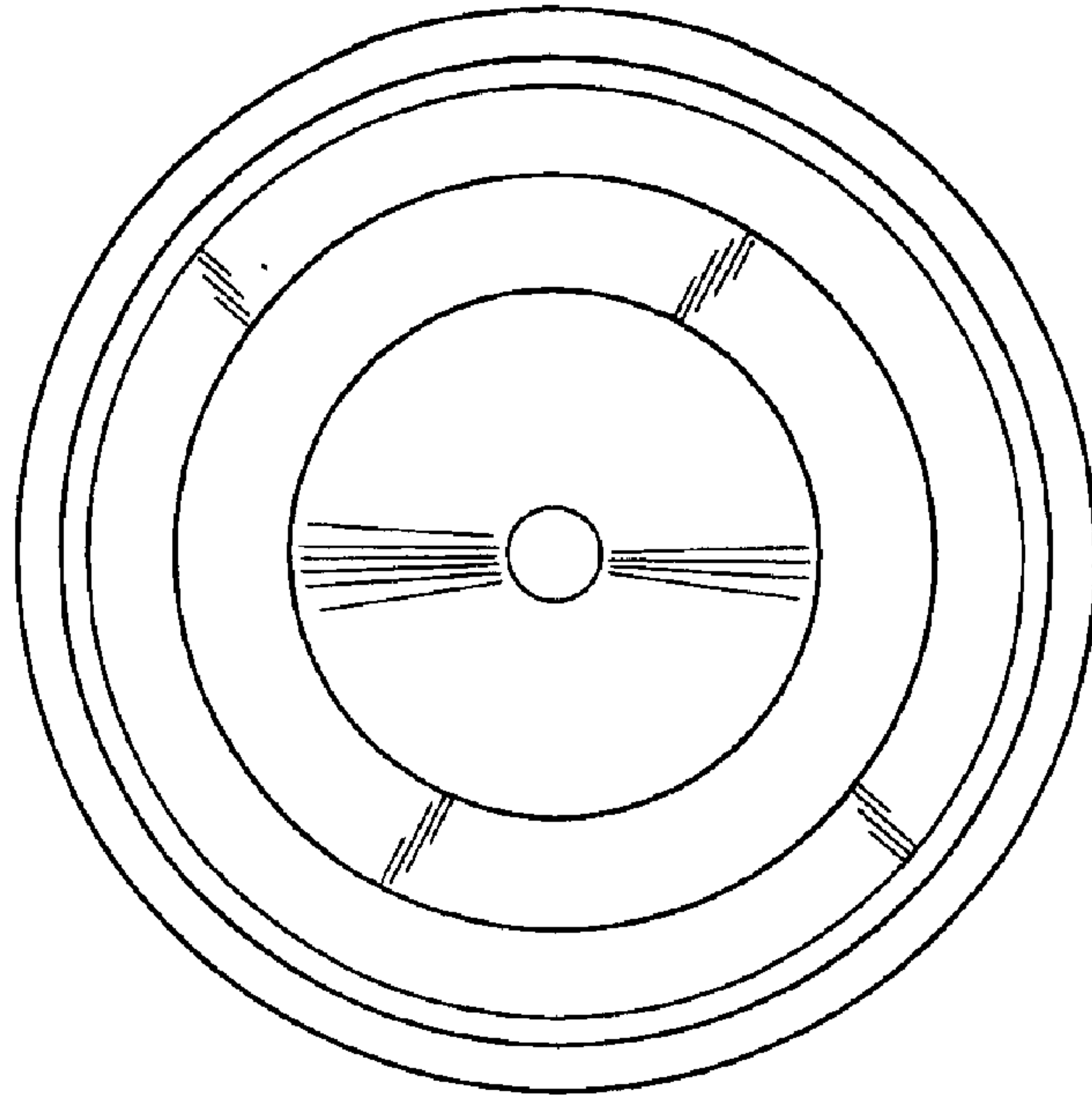


FIG. 3

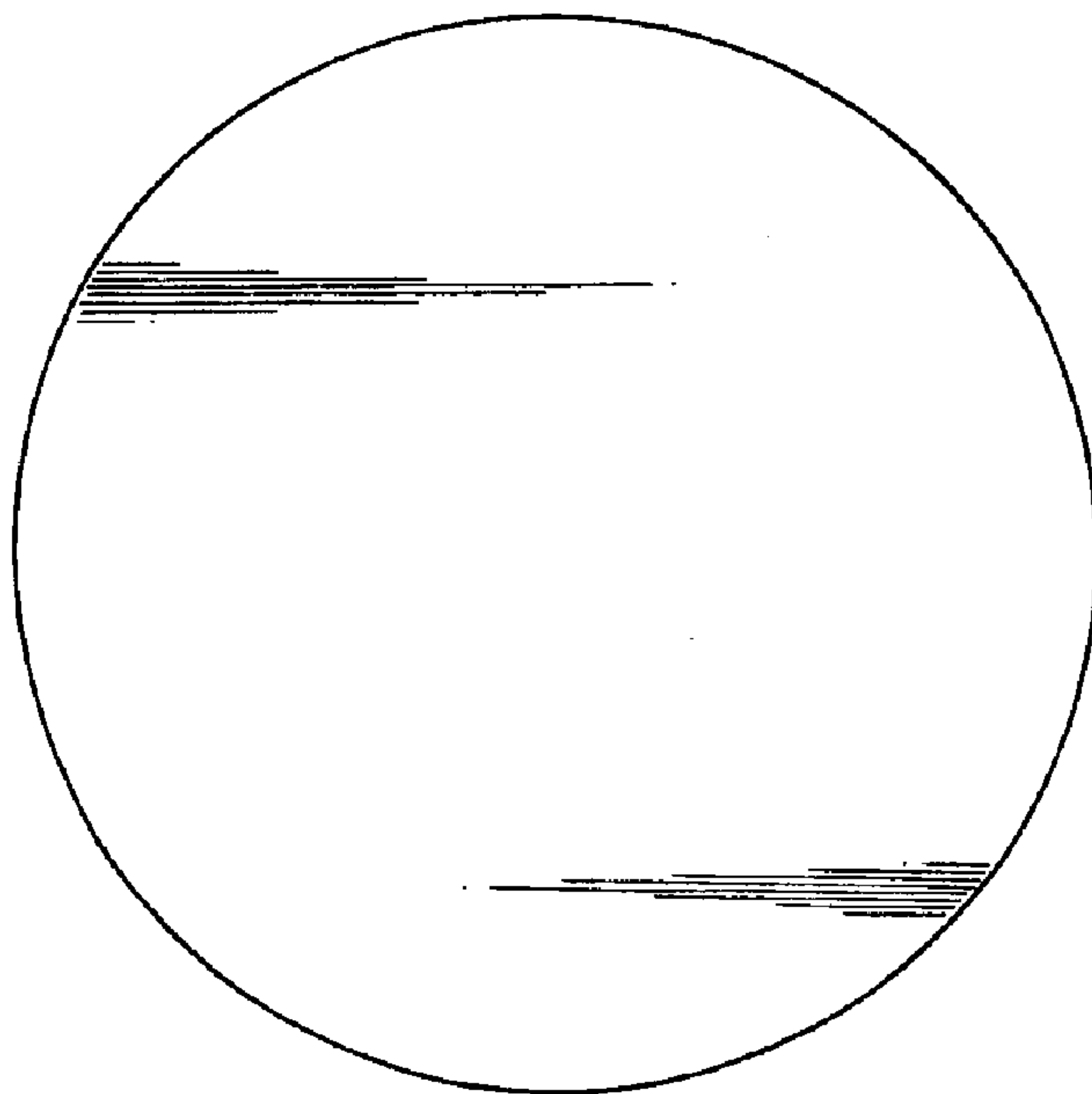


FIG. 4