



US00D518702S

(12) **United States Design Patent**  
**Hanna et al.**

(10) **Patent No.:** **US D518,702 S**  
(45) **Date of Patent:** **\*\* Apr. 11, 2006**

(54) **INTERIOR ROSE**

(75) Inventors: **Aaron E. Hanna**, Corona, CA (US);  
**Bryan Soriano**, Baldwin Park, CA (US)

(73) Assignee: **Newfrey LLC**, Newark, DE (US)

(\*\*) Term: **14 Years**

(21) Appl. No.: **29/211,989**

(22) Filed: **Aug. 25, 2004**

(51) **LOC (8) Cl.** ..... **08-01**

(52) **U.S. Cl.** ..... **D8/305; D8/321**

(58) **Field of Classification Search** ..... D8/300,  
D8/305, 307, 310, 311, 313, 314-316, 319-321,  
D8/336, 338, DIG. 1, DIG. 2, DIG. 16, DIG. 30;  
16/110.1, DIG. 30

See application file for complete search history.

(56) **References Cited**

**U.S. PATENT DOCUMENTS**

21,981 A	11/1858	Sargent
D3,691 S	10/1869	Brocksieper
D4,110 S	6/1870	Ruff
D5,766 S	4/1872	Wunder
D8,711 S	10/1875	Steele
186,018 A	1/1877	Ransom
D27,302 S	7/1897	Danley
D39,779 S	1/1909	Herrick
D60,576 S	3/1922	Schlink
1,568,579 A	1/1926	Whiting
1,636,011 A	7/1927	Nicholson
D73,420 S	9/1927	Whitaker
D80,866 S	4/1930	Spector
D82,240 S	10/1930	Ackerman
D82,675 S	12/1930	Gullborg
2,355,300 A	8/1944	Johnstone
D138,911 S	9/1944	Stone
D142,945 S	11/1945	Borchers
2,400,229 A	5/1946	Freeman
2,565,024 A	8/1951	Hill, Jr.
2,602,319 A	7/1952	Jacobi
D170,724 S	2/1953	Stahl
2,702,468 A	2/1955	Spain

D185,769 S	7/1959	Meer
D186,188 S	9/1959	Vose
3,303,717 A	2/1967	Valenti
D208,326 S	8/1967	Sonnenleiter
D213,431 S	3/1969	Stone
D218,011 S	7/1970	Sonnenleiter
D218,877 S	10/1970	Clayton
D219,862 S	2/1971	Deadrick
D223,992 S	6/1972	Gerlach
D224,776 S	9/1972	Tegner

(Continued)

**OTHER PUBLICATIONS**

Sager Builders' Hardware Catalog, Yale Manufacturing Company, No. 37, 1937, p. 472.\*

*Primary Examiner*—Prabhakar Deshmukh

*Assistant Examiner*—Jean E. McCormick

(74) *Attorney, Agent, or Firm*—Richard J. Veltman; John D. DePonti

(57) **CLAIM**

The ornamental design for an interior rose, as shown and described.

**DESCRIPTION**

FIG. 1 is a perspective view of our new design for an interior rose;

FIG. 2 is a front elevational view thereof;

FIG. 3 is a top plan view, the bottom plan view being a mirror image thereof;

FIG. 4 is a right side elevational view, the left side being a mirror image thereof; and

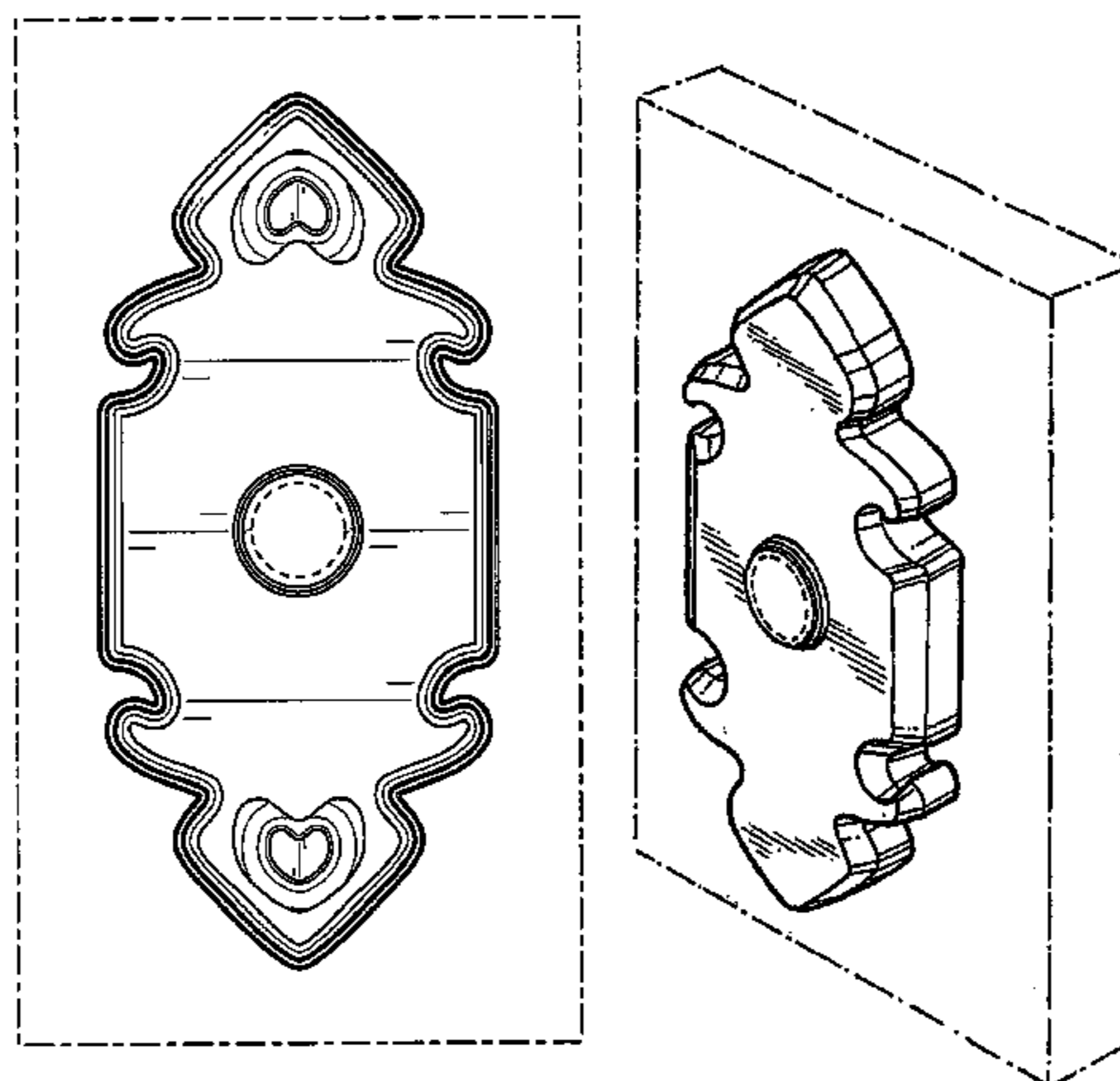
FIG. 5 is a back elevational view thereof;

FIG. 6 is a perspective view of a second embodiment thereof; and,

FIG. 7 is a front elevational view, with the top plan and bottom plan views being identical to FIG. 3, the right and left side elevational views being identical to FIG. 4, and the back elevational view being identical to FIG. 5.

The broken line showing in the figures is for illustrative purposes only and forms no part of the claimed design.

**1 Claim, 6 Drawing Sheets**



# US D518,702 S

Page 2

## U.S. PATENT DOCUMENTS

D225,820 S	1/1973	Tegner	D264,304 S	5/1982	Kupperman et al.
D226,550 S	3/1973	Mellyn	D306,251 S	2/1990	Kuli
D229,294 S	11/1973	Clayton	D312,956 S	12/1990	Boeri
D231,192 S	4/1974	Tegner	D318,783 S	8/1991	Fleming et al.
D231,319 S	4/1974	James	D332,386 S	1/1993	Plummer
D233,409 S	10/1974	Zagaroli	D362,609 S	9/1995	Ellis et al.
D234,070 S	1/1975	Watt, Jr.	D363,204 S	10/1995	Ellis et al.
D234,338 S	2/1975	Tegner	D392,174 S	3/1998	Zeiss
D236,876 S	9/1975	Tegner	D403,238 S	12/1998	Burris
D236,877 S	9/1975	Tegner	D409,072 S	5/1999	Clavin
D240,706 S	7/1976	Palm, Jr.	D410,834 S	6/1999	Hsu
D246,091 S	10/1977	James	D418,386 S	1/2000	Baskauskas et al.
D246,093 S	10/1977	James	D447,927 S	9/2001	LaPlume et al.
D246,890 S	1/1978	Yu	D457,049 S	5/2002	Zoerner et al.
D251,462 S	4/1979	Tegner	D472,448 S	4/2003	Fields
4,192,161 A	3/1980	Borlinghaus	D492,152 S *	6/2004	Cramer et al. .... D6/524
D258,345 S	2/1981	Paul	D502,080 S *	2/2005	Denoual ..... D8/301
D261,228 S	10/1981	Shames et al.	D503,329 S *	3/2005	Berberet ..... D8/350
D261,857 S	11/1981	Valli			

\* cited by examiner

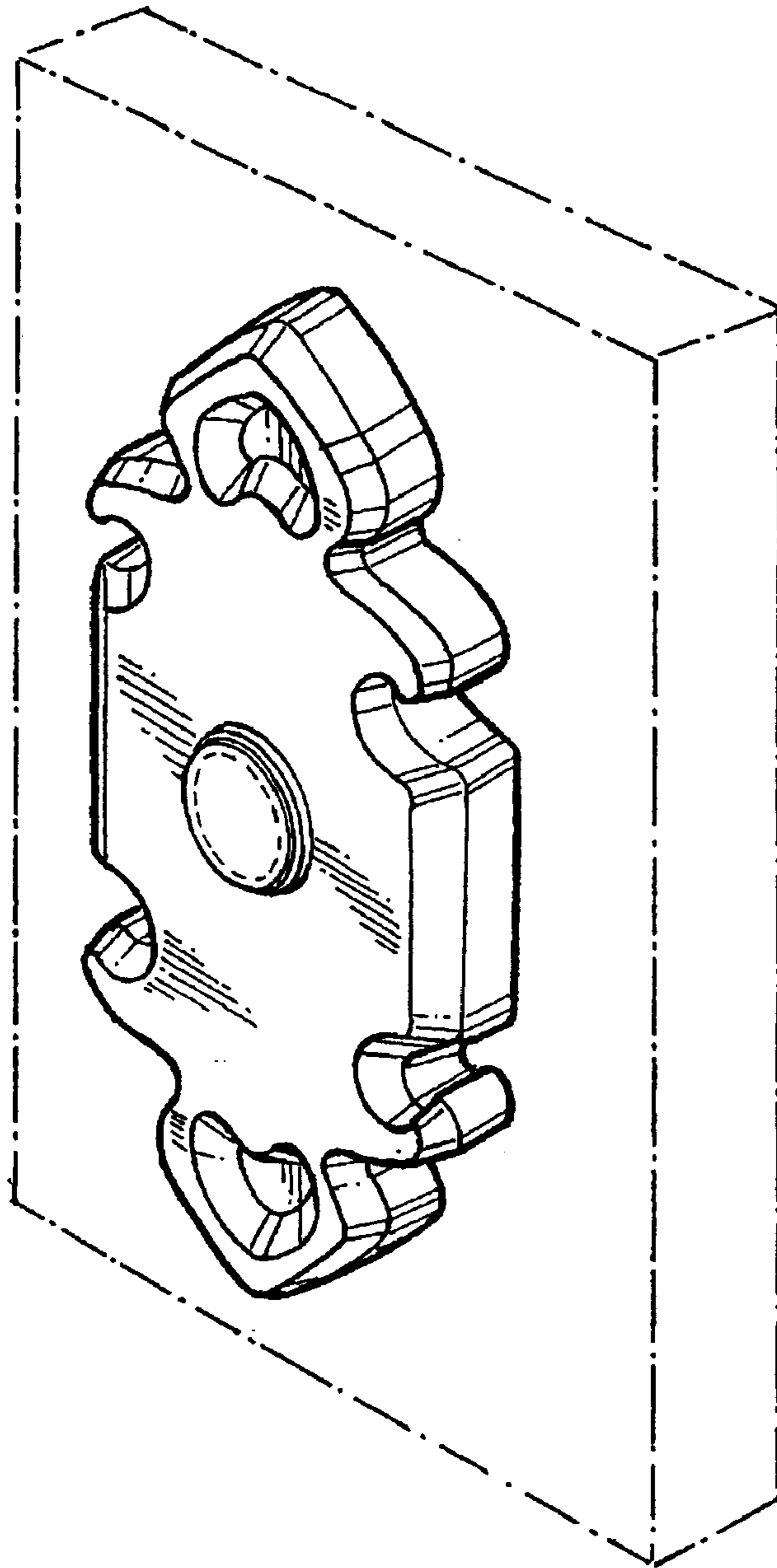


FIG. 1

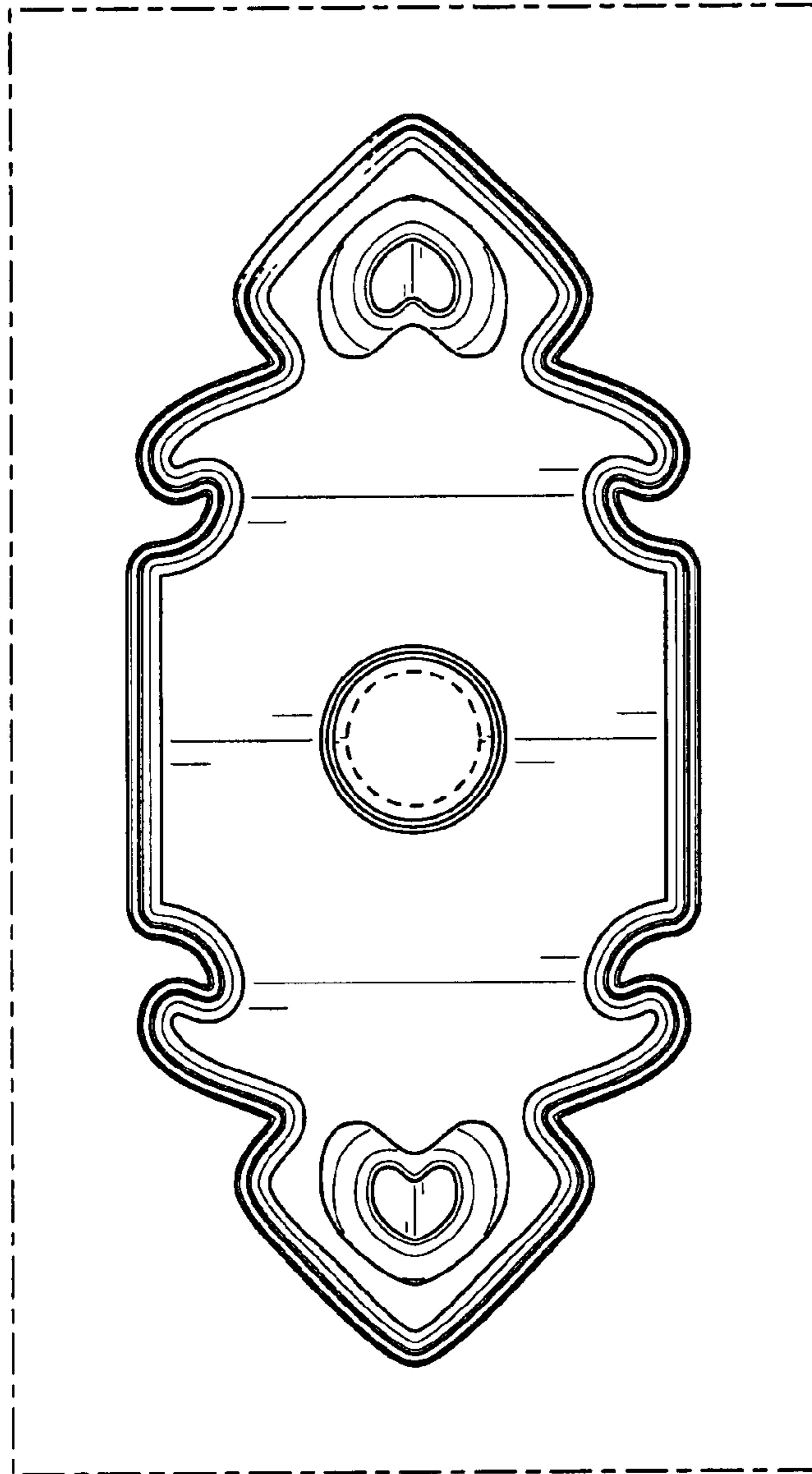


FIG. 2

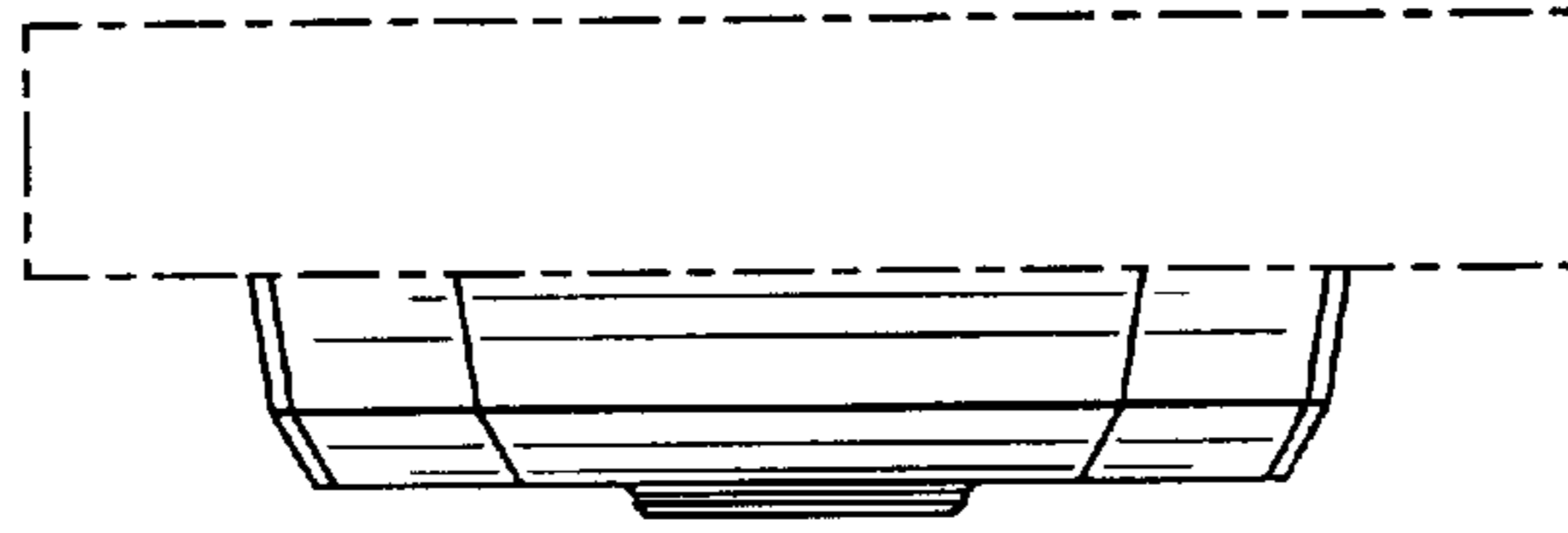


FIG. 3

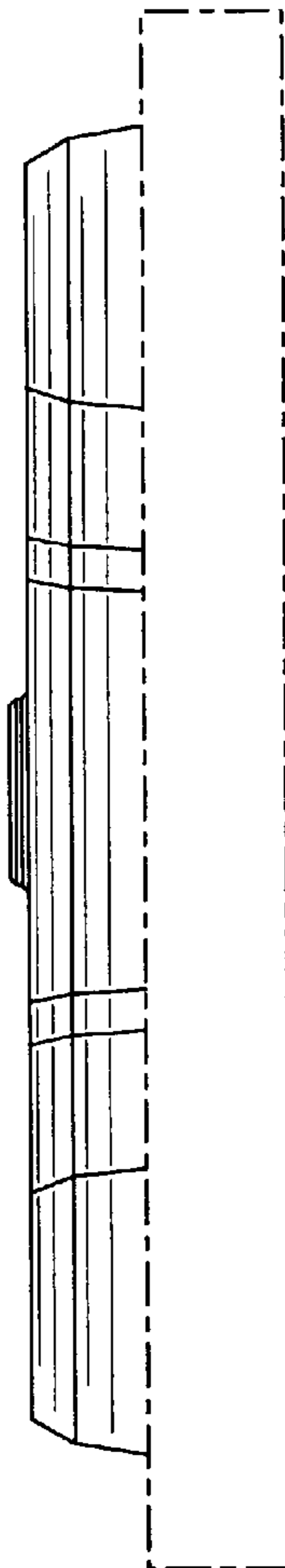


FIG. 4

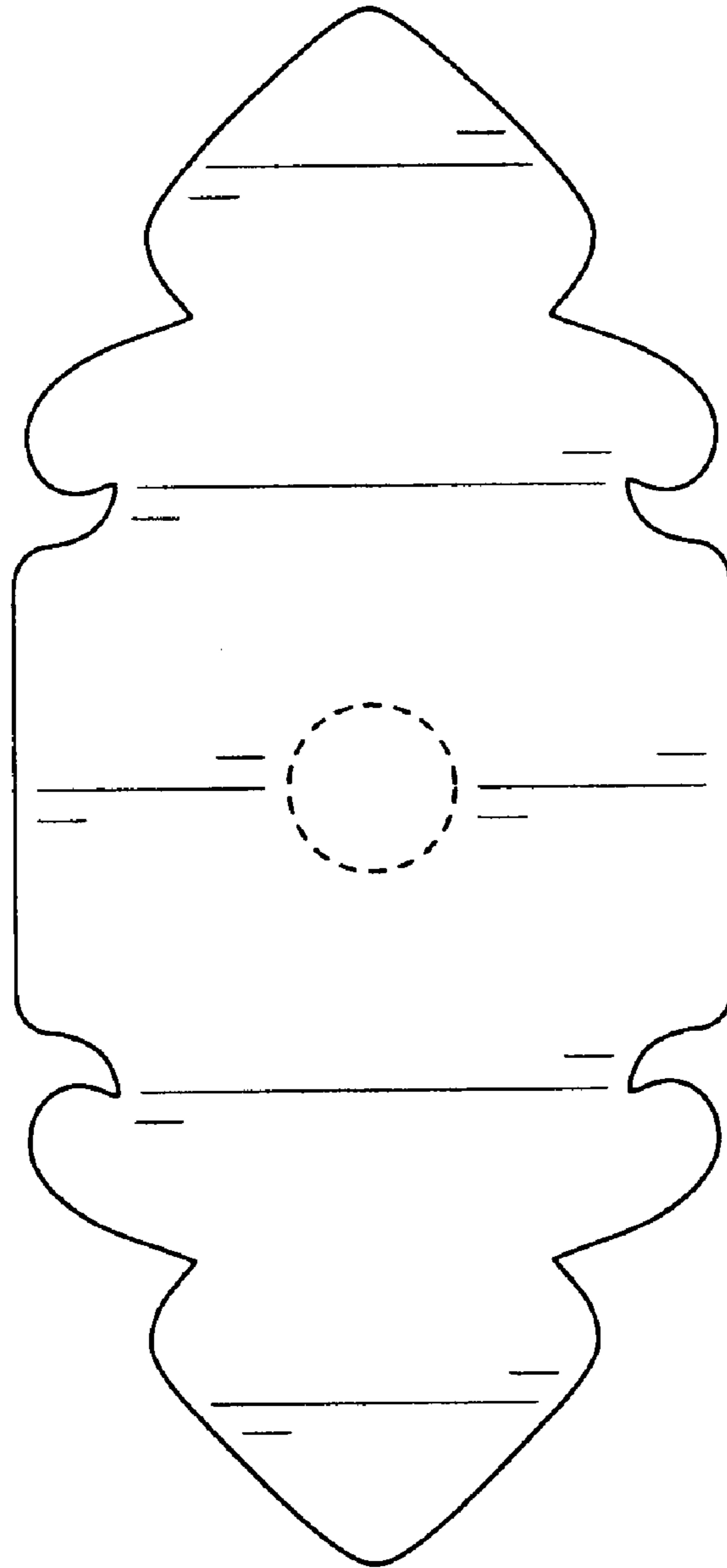


FIG. 5

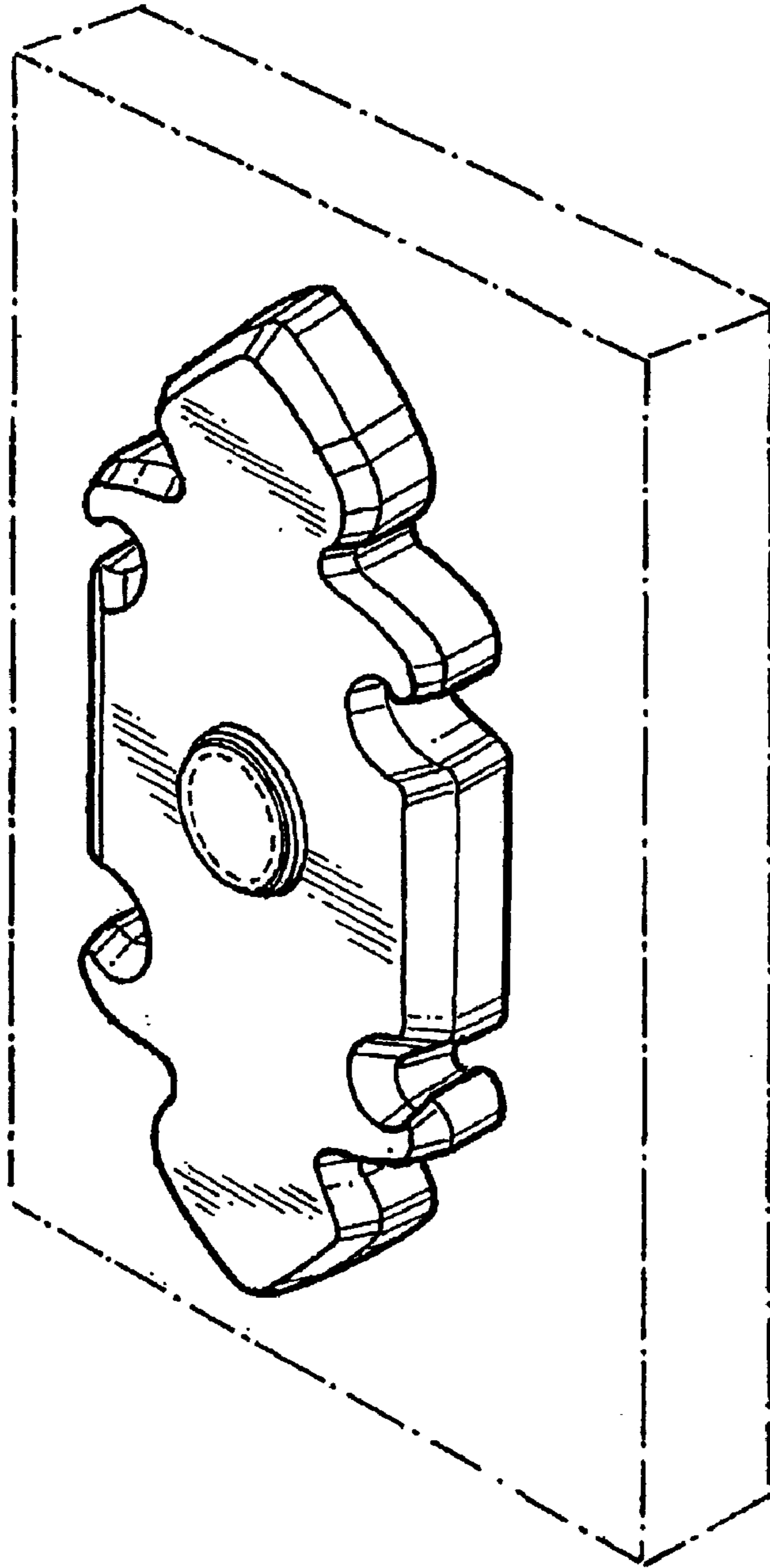


FIG. 6

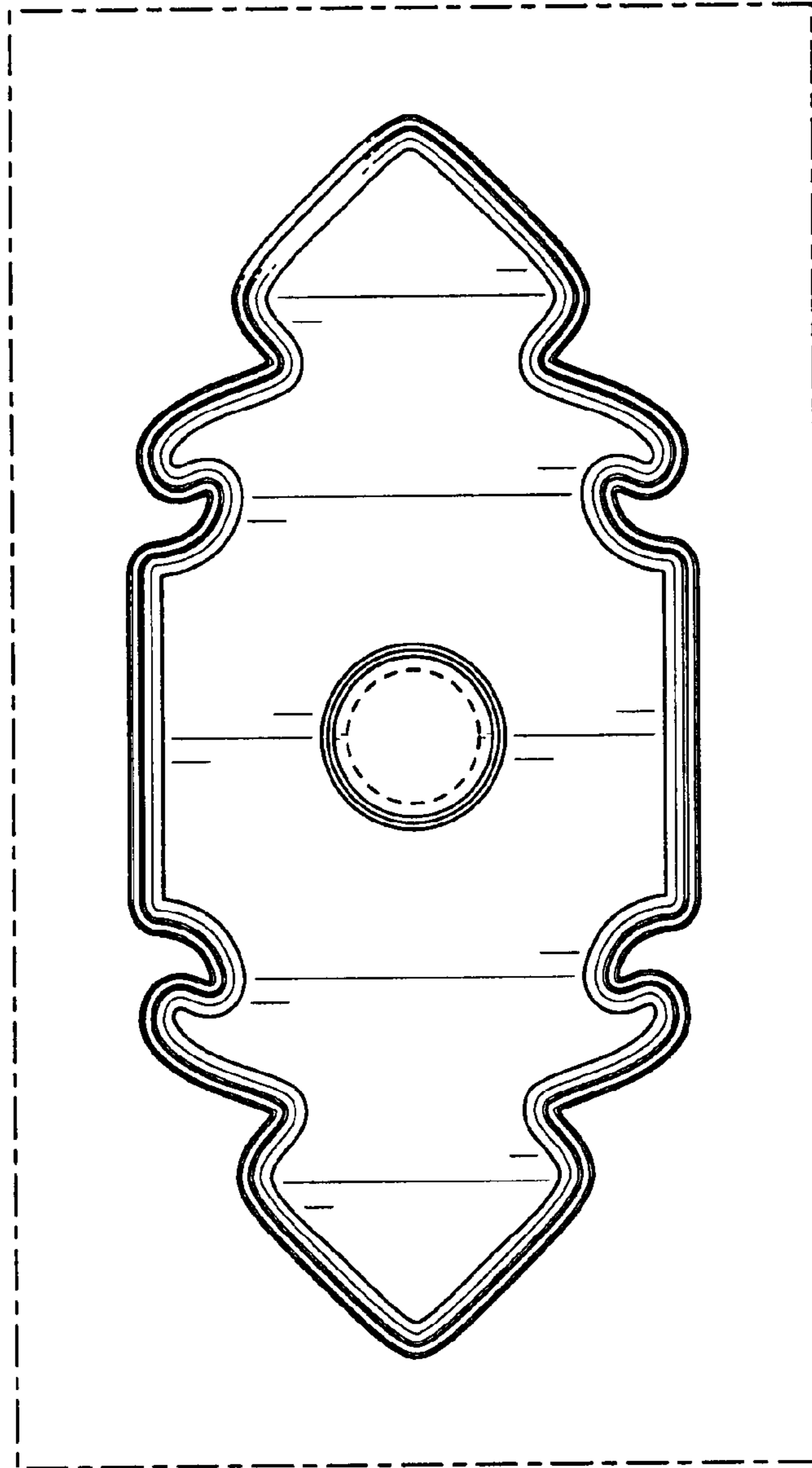


FIG. 7