



US00D518700S

(12) **United States Design Patent**
Arosio

(10) **Patent No.:** **US D518,700 S**

(45) **Date of Patent:** **** Apr. 11, 2006**

(54) **HANDLE FOR FURNITURE**

(75) Inventor: **Pietro Arosio**, Muggio' (IT)

(73) Assignee: **Ernestomeda S.p.A.**, Montelbbate (IT)

(**) Term: **14 Years**

(21) Appl. No.: **29/189,948**

(22) Filed: **Sep. 12, 2003**

(30) **Foreign Application Priority Data**

Mar. 12, 2003 (IT) PS2003O0002

(51) **LOC (8) Cl.** **08-06**

(52) **U.S. Cl.** **D8/300**

(58) **Field of Classification Search** D8/300,
D8/303, 306, 308, 310, 313, 341, DIG. 1;
292/165, 169, 175, 153, DIG. 31, 336.3;
D11/216; 312/244, 348.6; D6/446, 561
See application file for complete search history.

(56) **References Cited**

U.S. PATENT DOCUMENTS

2,840,407	A	*	6/1958	Sellon, Jr.	292/169
3,357,734	A	*	12/1967	Pastva, Jr.	292/165
D222,231	S	*	10/1971	Holtzman	D8/341
D304,155	S	*	10/1989	Russell et al.	D8/303
5,005,885	A	*	4/1991	Kobayashi et al.	292/336.3
D365,703	S	*	1/1996	Miller et al.	D6/446
D384,265	S	*	9/1997	Saravis	D8/300
D385,474	S	*	10/1997	Rechberg	D8/313

* cited by examiner

Primary Examiner—Paula A. Greene

(74) *Attorney, Agent, or Firm*—William J. Sapone;
Coleman Sudol Sapone P.C.

(57) **CLAIM**

The ornamental design for a handle for furniture, as shown and described.

DESCRIPTION

FIG. 1 is a perspective view of the handle for furniture of the present invention having a movable front cover in a close-position;

FIG. 2 is a perspective view of the handle with the front cover displaced into an open-position;

FIG. 3 is a perspective view of the handle mounted on a furniture's panel or surface, shown in phantom, with the front cover in the closed-position;

FIG. 4 is a perspective view of the handle mounted on a furniture's panel or surface with the front cover in open-position;

FIG. 5 is a cross section view of the handle with the front cover in close-position;

FIG. 6 is a cross section view of the handle with the front cover in open-position;

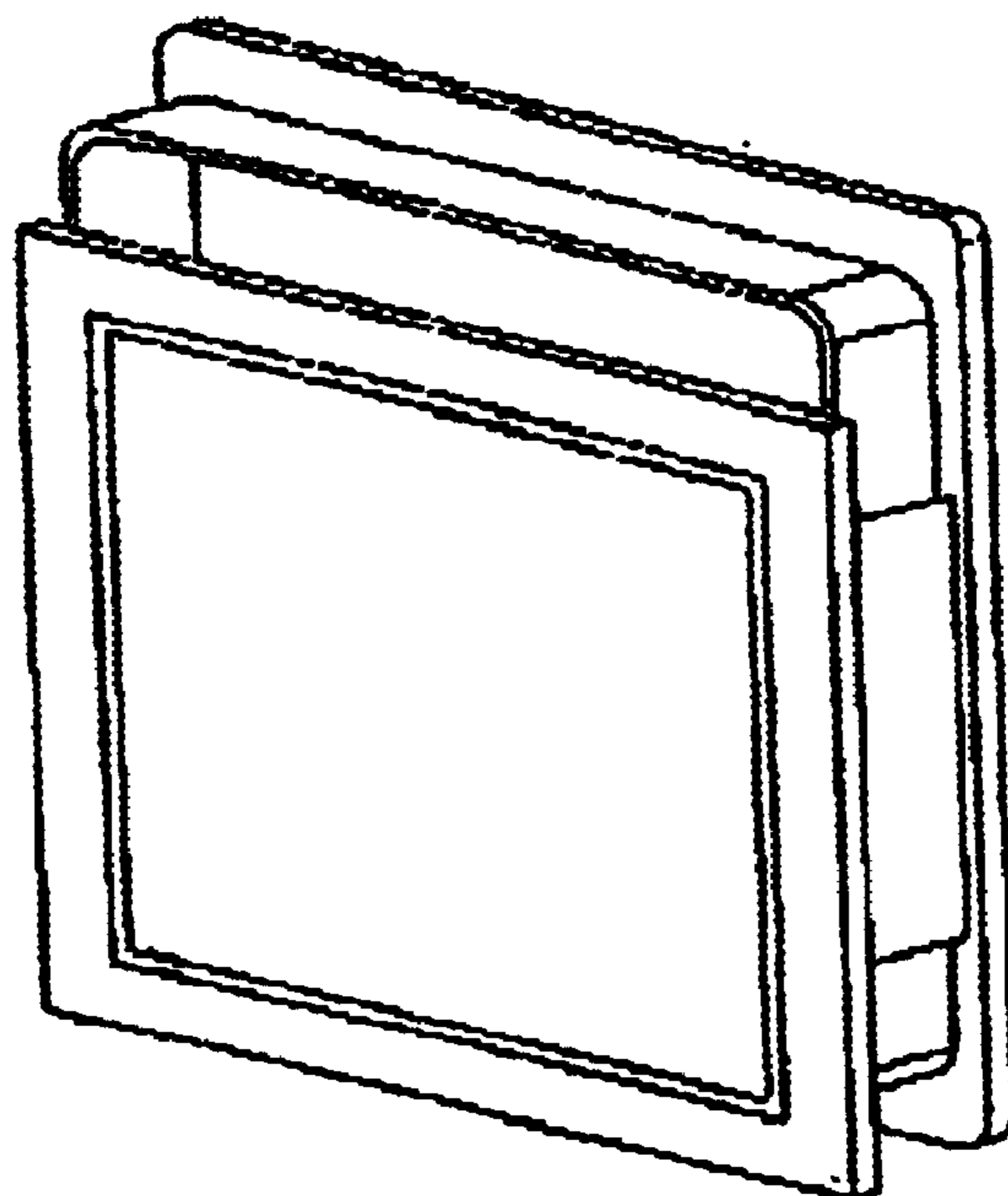
FIG. 7 is a front view of the handle.

FIG. 8 is a side view thereof, the opposite side being a mirror image thereof; and,

FIG. 9 is a top view thereof, the bottom view being a mirror image thereof.

The broken lines in FIGS. 3 and 4 are for illustrative purposes only and forms no part of the claimed design.

1 Claim, 4 Drawing Sheets



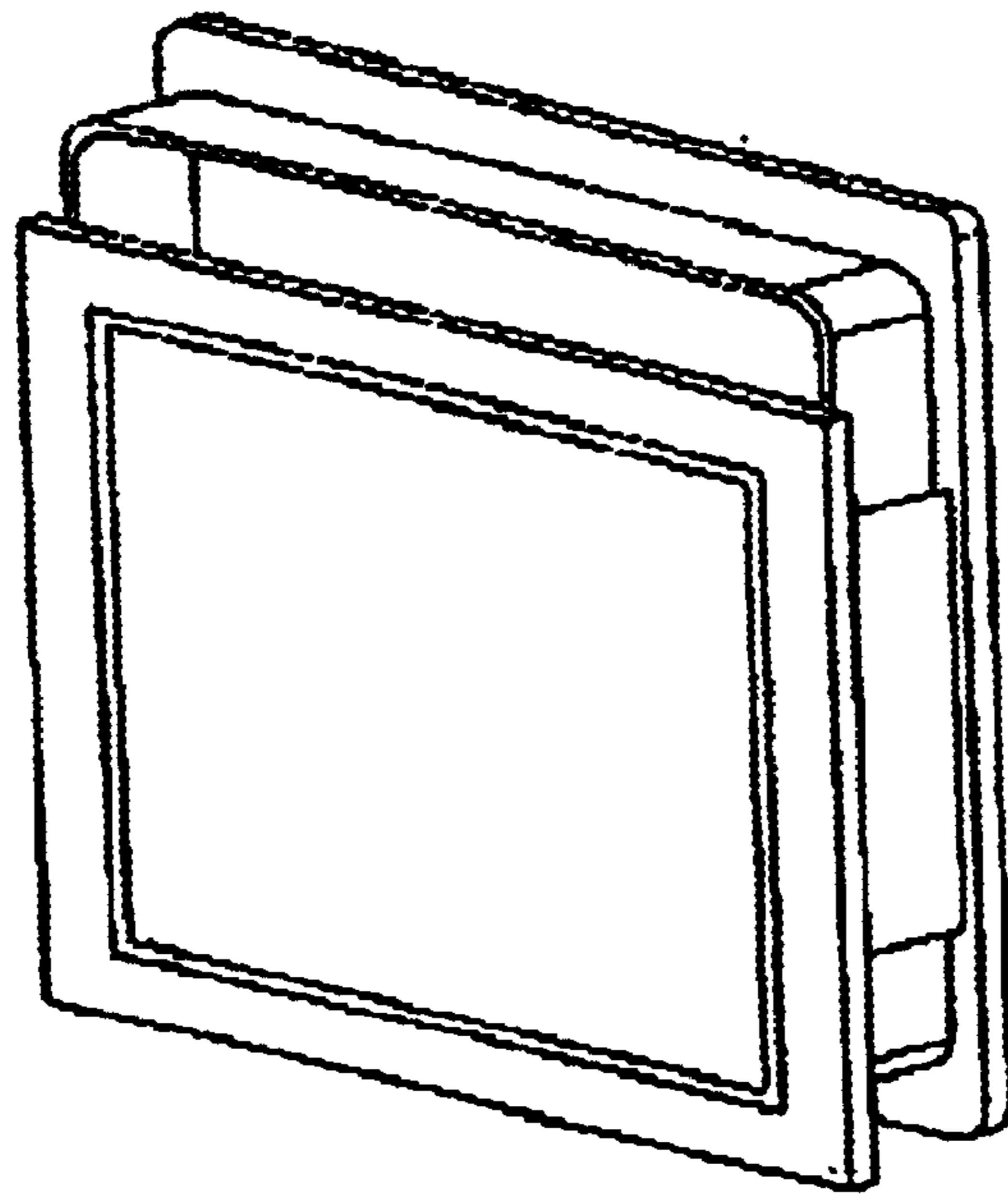


FIG. 1

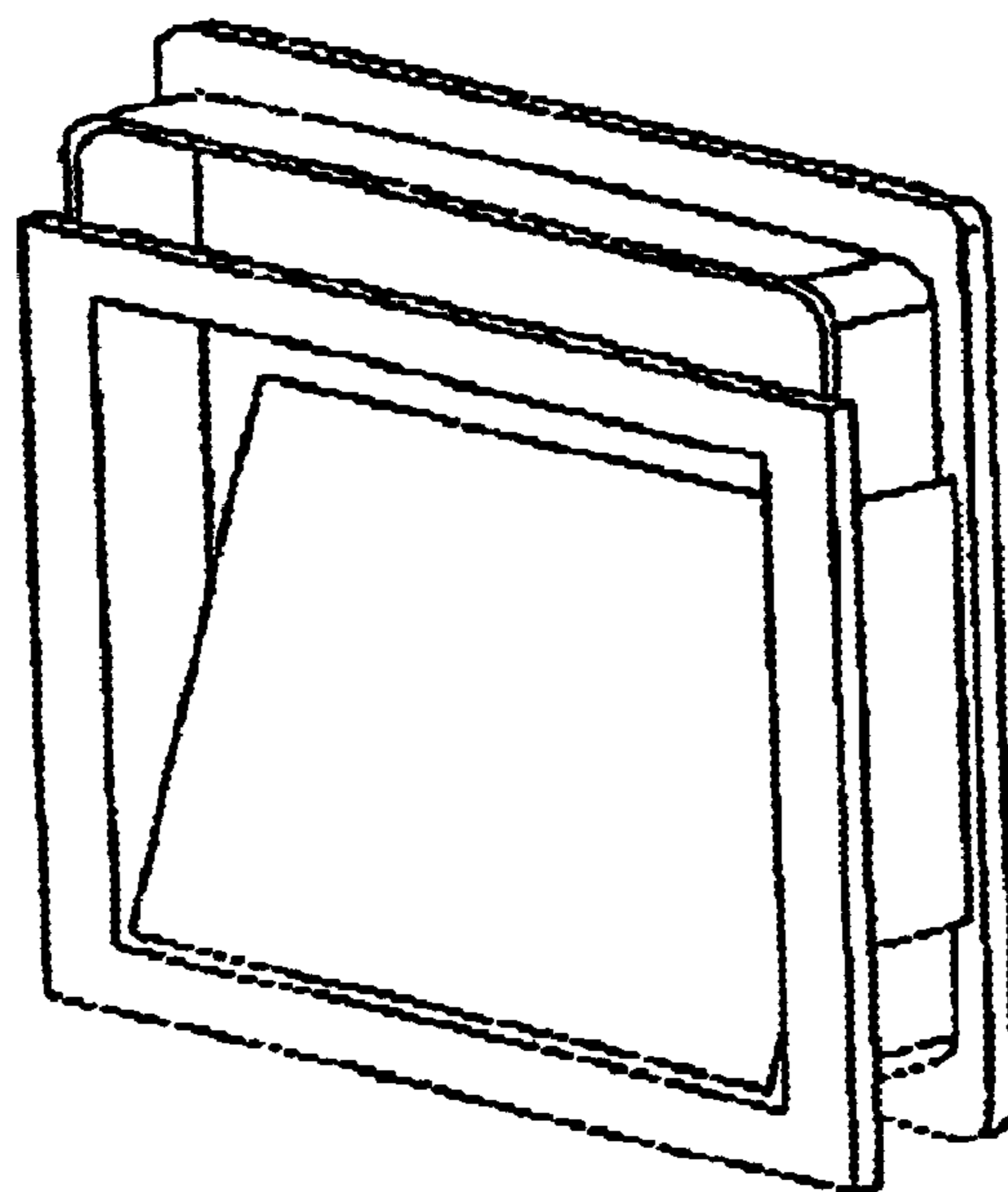


FIG. 2

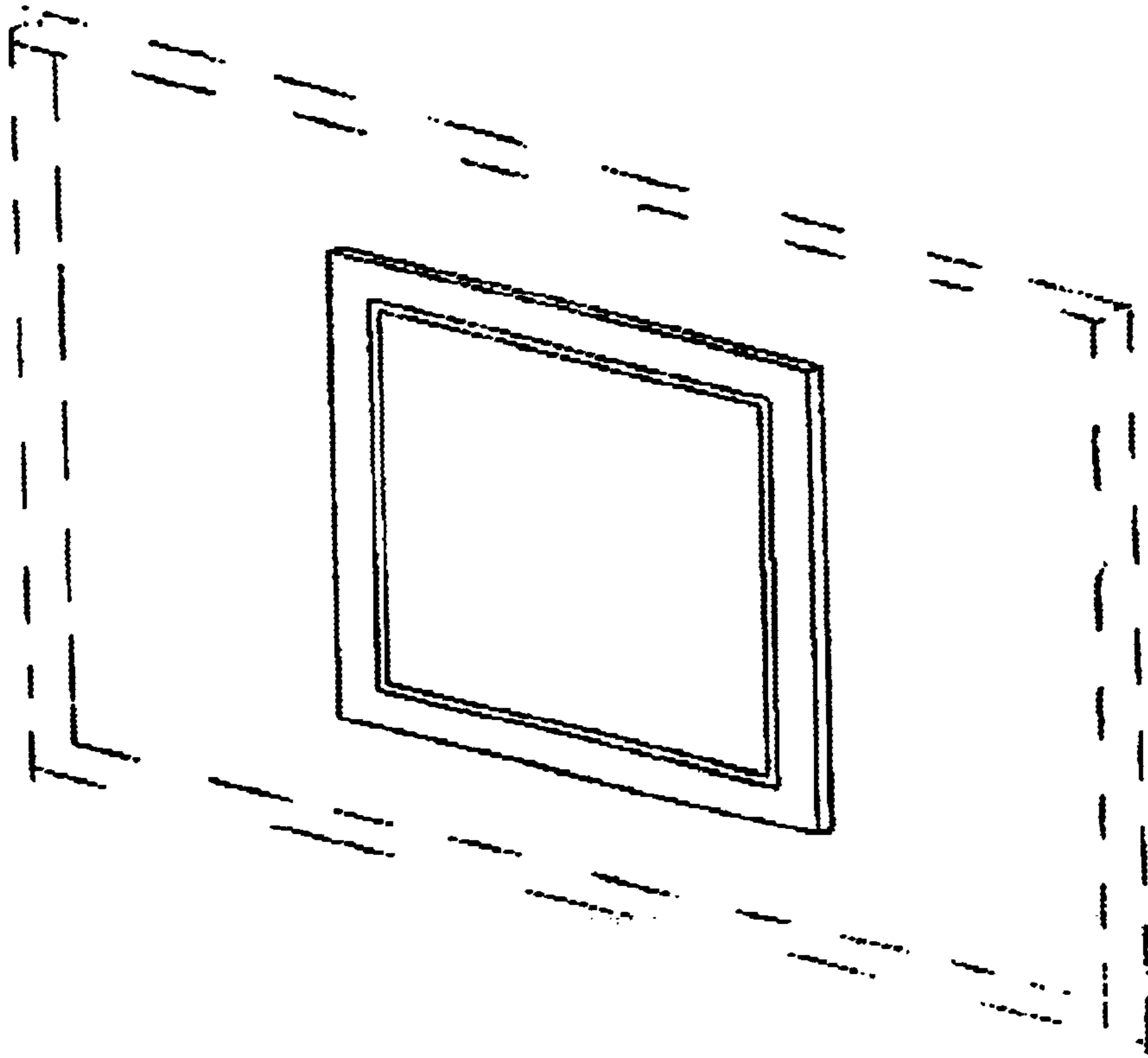


FIG. 3

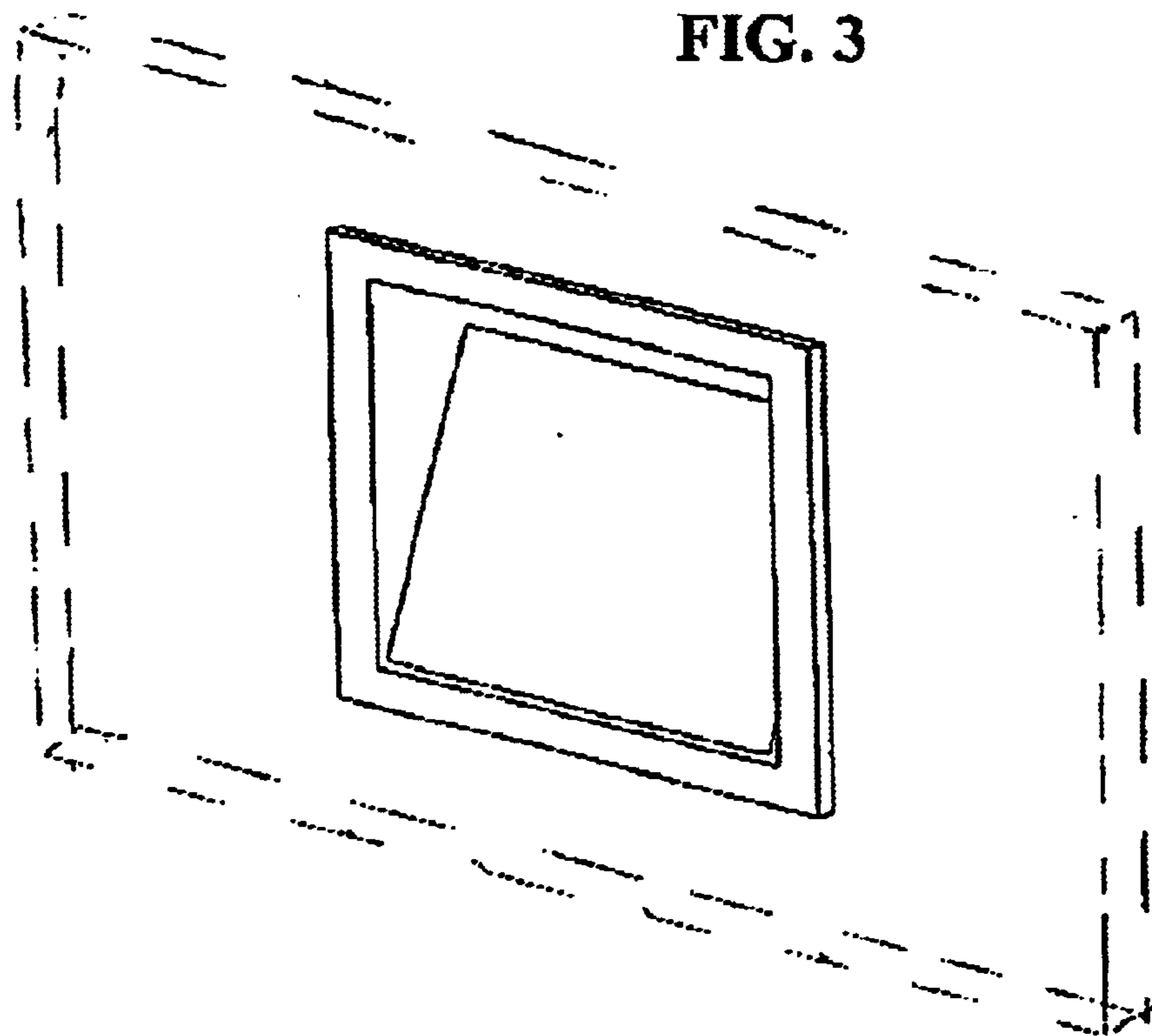


FIG. 4

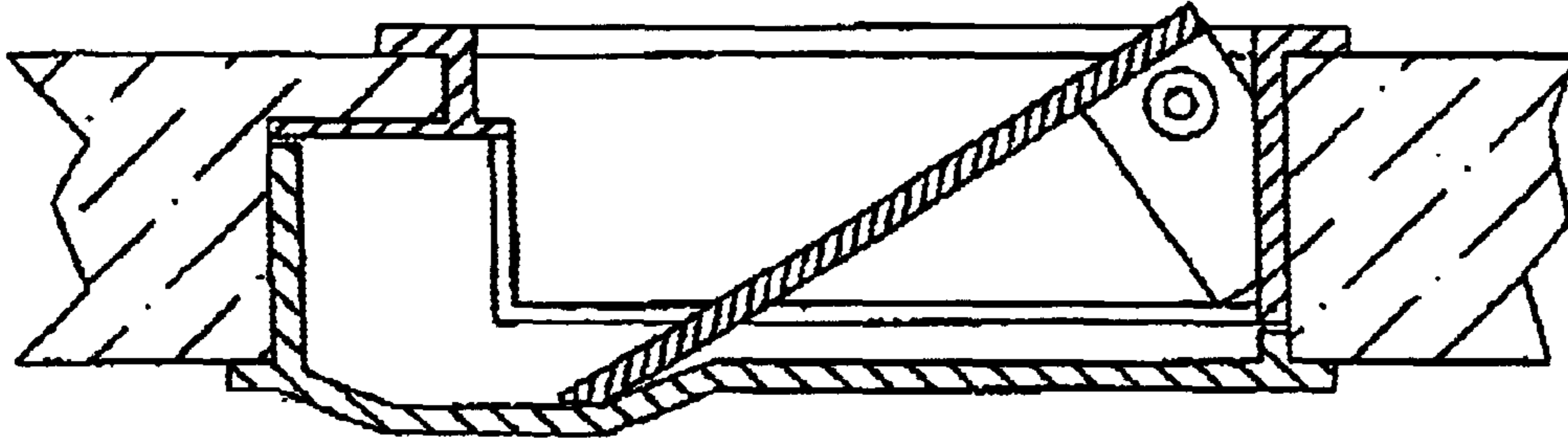


FIG. 6

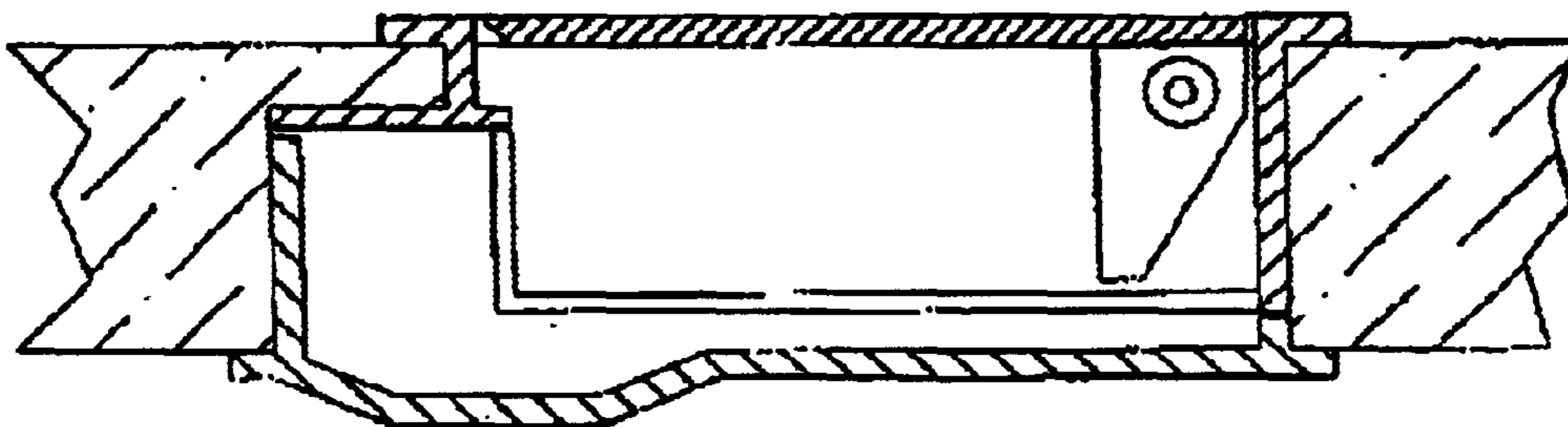


FIG. 5

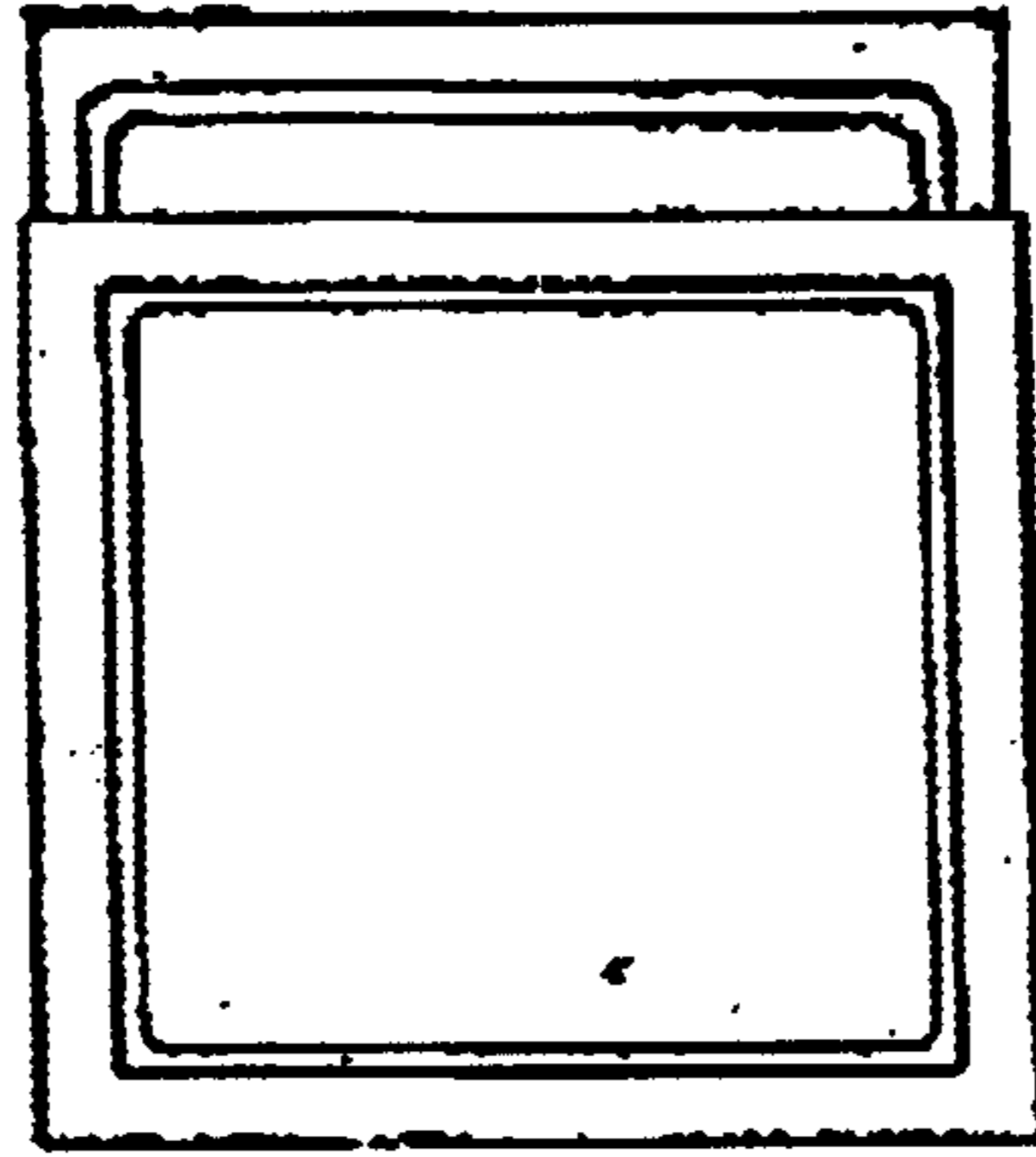


FIG. 7



FIG. 8



FIG. 9