



US00D518696S

(12) **United States Design Patent**
Schoen

(10) **Patent No.:** **US D518,696 S**

(45) **Date of Patent:** **** Apr. 11, 2006**

(54) **HAND HELD GRINDER/SANDER**

(75) Inventor: **Klaus Schoen**, Altbach (DE)

(73) Assignee: **Robert Bosch GmbH**, Stuttgart (DE)

(**) Term: **14 Years**

(21) Appl. No.: **29/227,151**

(22) Filed: **Apr. 7, 2005**

D378,728 S	*	4/1997	Seith et al.	D8/62
D392,861 S	*	3/1998	Gildersleeve et al.	D8/62
5,879,228 A	*	3/1999	Sun	451/357
D408,245 S	*	4/1999	Evans et al.	D8/62
D438,771 S	*	3/2001	Hutchins	D8/62
D442,839 S	*	5/2001	Cieri et al.	D8/62
D448,262 S	*	9/2001	Heun	D8/62
6,503,133 B1	*	1/2003	Wuensch	451/357
6,514,131 B1	*	2/2003	Reich et al.	451/344
6,527,631 B1	*	3/2003	Wuensch et al.	451/357
2005/0079808 A1	*	4/2005	Tiede et al.	451/357

* cited by examiner

Related U.S. Application Data

(63) Continuation of application No. 29/178,664, filed on Aug. 31, 2004, now abandoned.

(30) **Foreign Application Priority Data**

Oct. 1, 2002 (DE) 4 02 08 191

(51) **LOC (8) Cl.** **08-01**

(52) **U.S. Cl.** **D8/62**

(58) **Field of Classification Search** D8/61,
D8/62, 67, 69; D32/15, 19; 173/168, 169,
173/170, 171; 310/50; 451/294, 344, 351,
451/353, 354, 355, 356, 357, 358, 359
See application file for complete search history.

(56) **References Cited**

U.S. PATENT DOCUMENTS

D351,976 S	*	11/1994	Morey et al.	D8/62
D376,304 S	*	12/1996	Clowers et al.	D8/62

Primary Examiner—Jeffrey Asch

Assistant Examiner—Elizabeth Albert

(74) *Attorney, Agent, or Firm*—Michael J. Striker

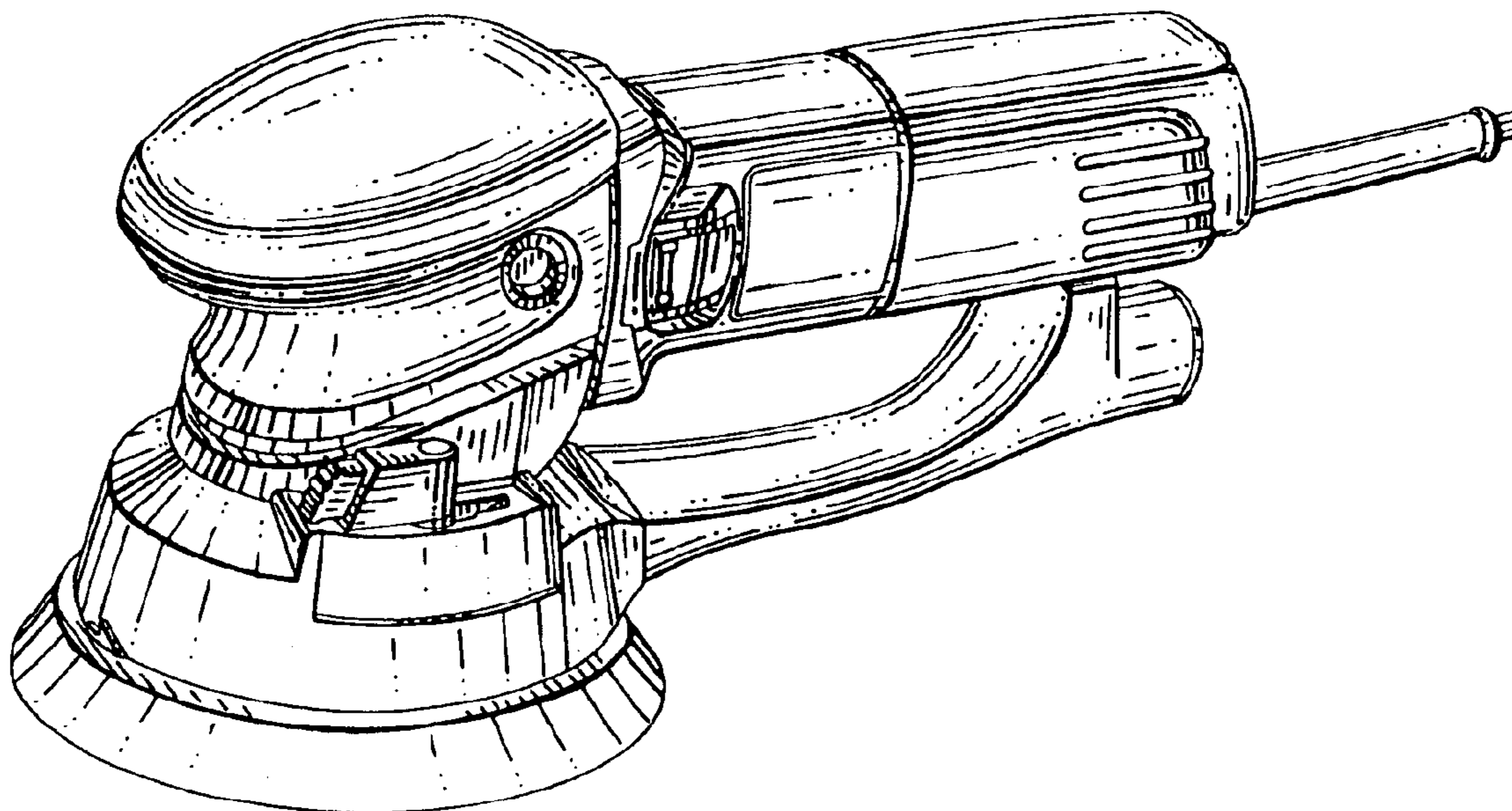
(57) **CLAIM**

The ornamental design for a hand held grinder/sander, as shown and described.

DESCRIPTION

FIG. 1 is a perspective view of a hand held grinder/sander showing my new design;
FIG. 2 is a side view thereof;
FIG. 3 is the opposite side thereof;
FIG. 4 is a top view thereof;
FIG. 5 is a bottom view thereof;
FIG. 6 is a front view thereof; and,
FIG. 7 is a rear view thereof.

1 Claim, 7 Drawing Sheets



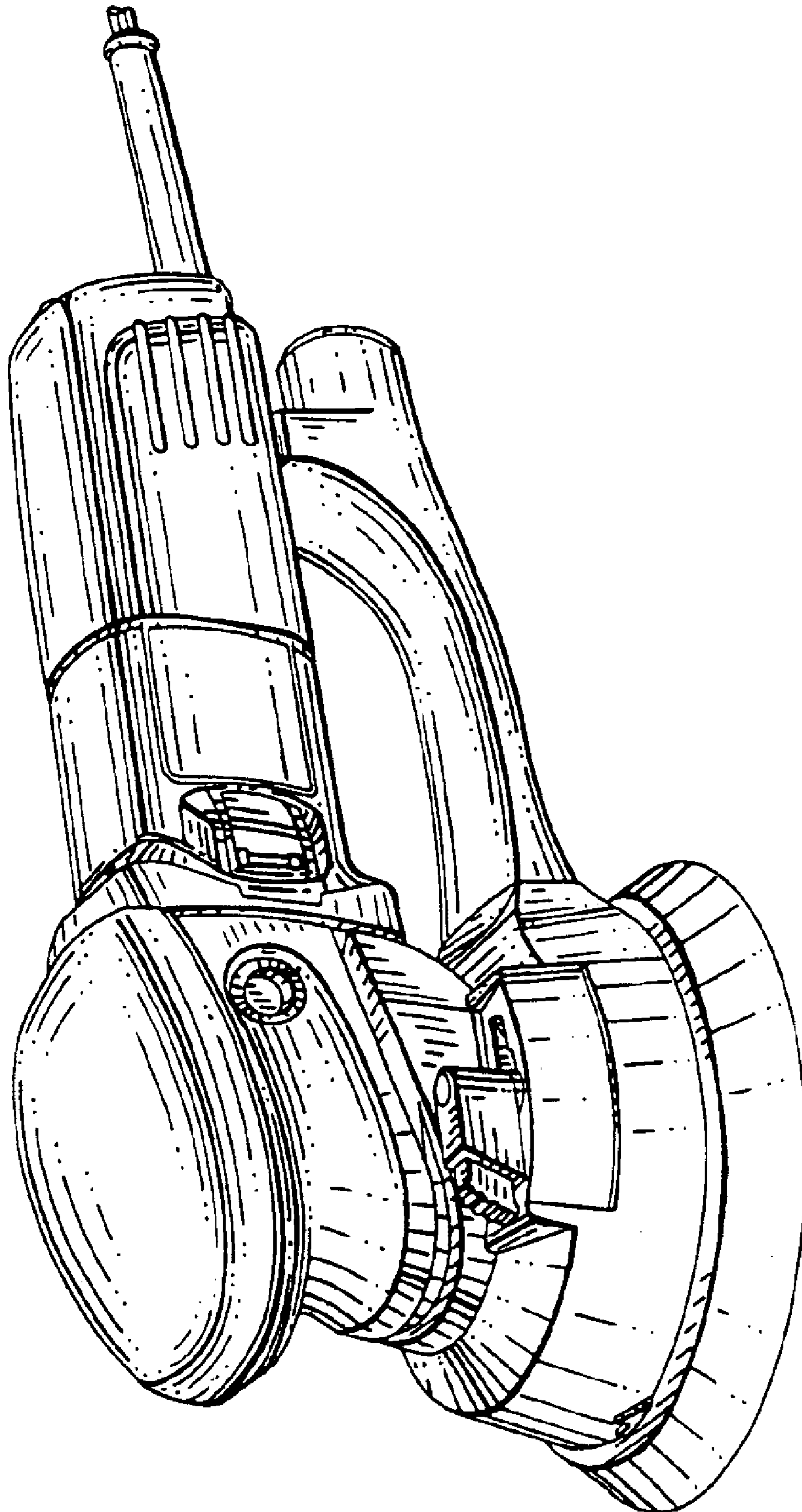


FIG. 1

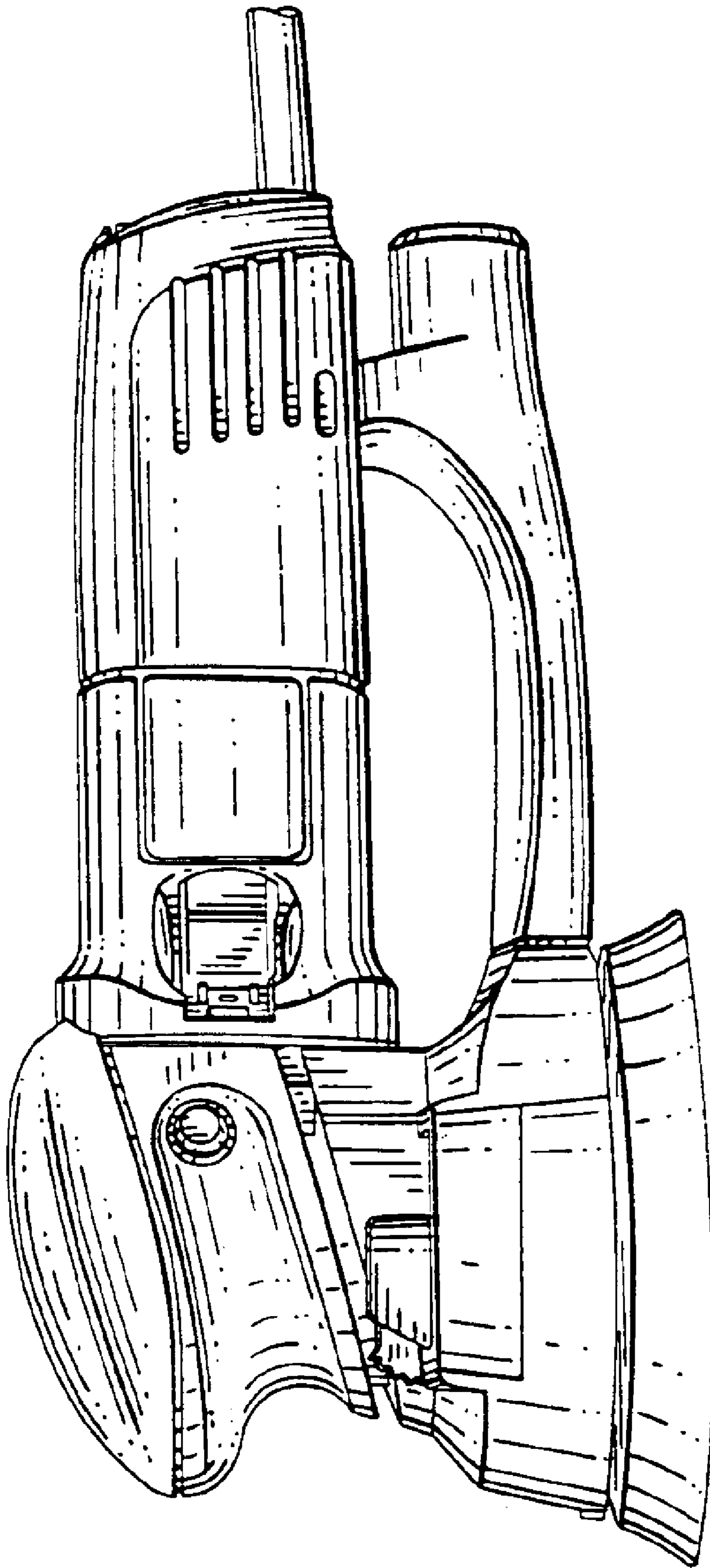


FIG. 2

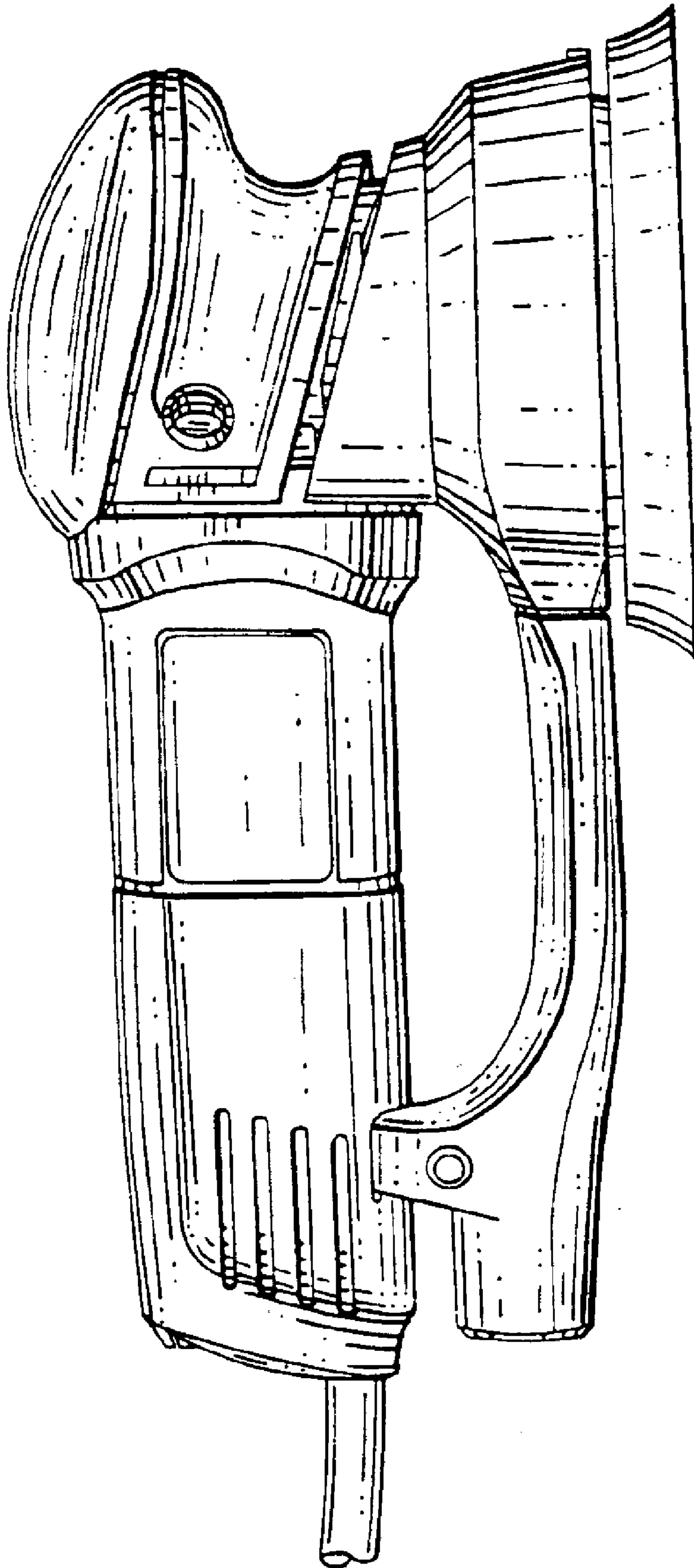


FIG. 3

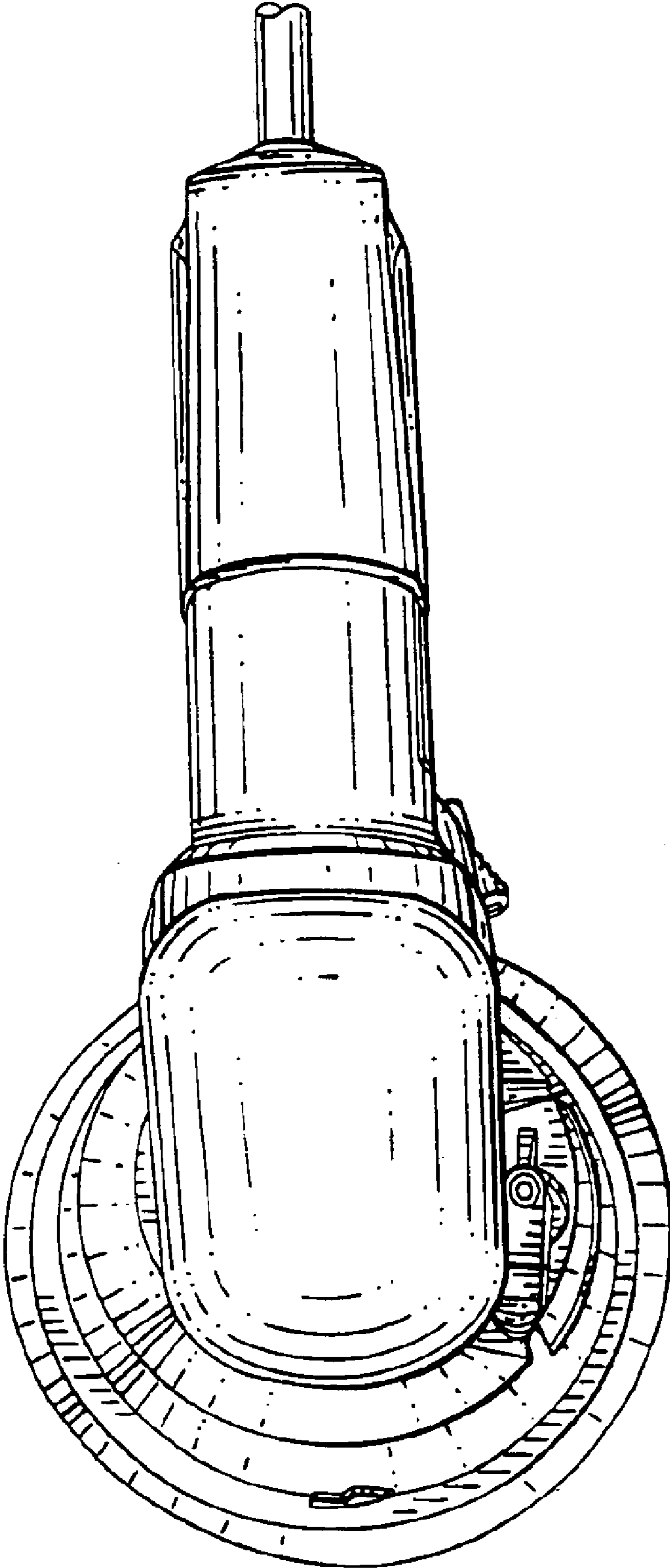


FIG. 4

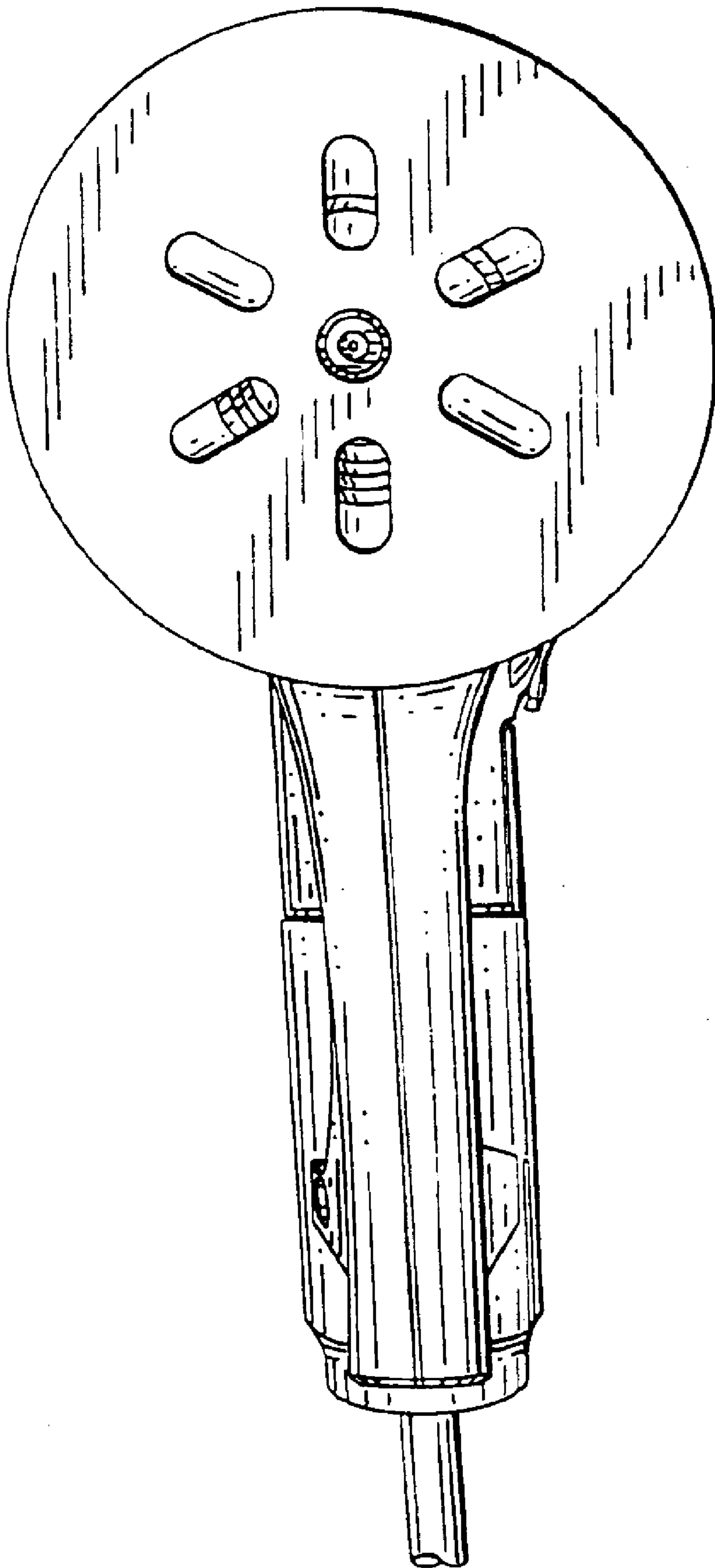


FIG. 5

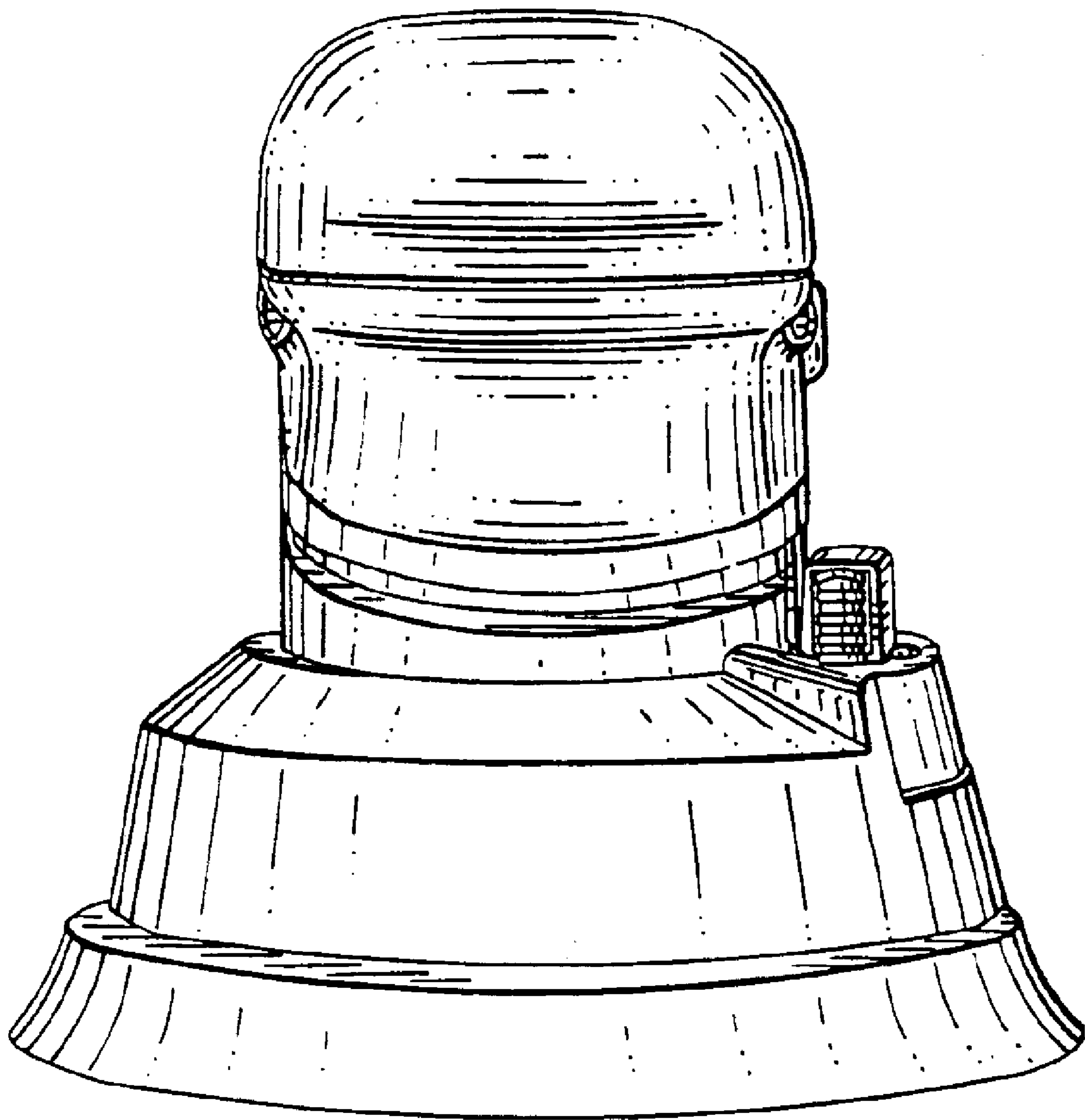


FIG. 6

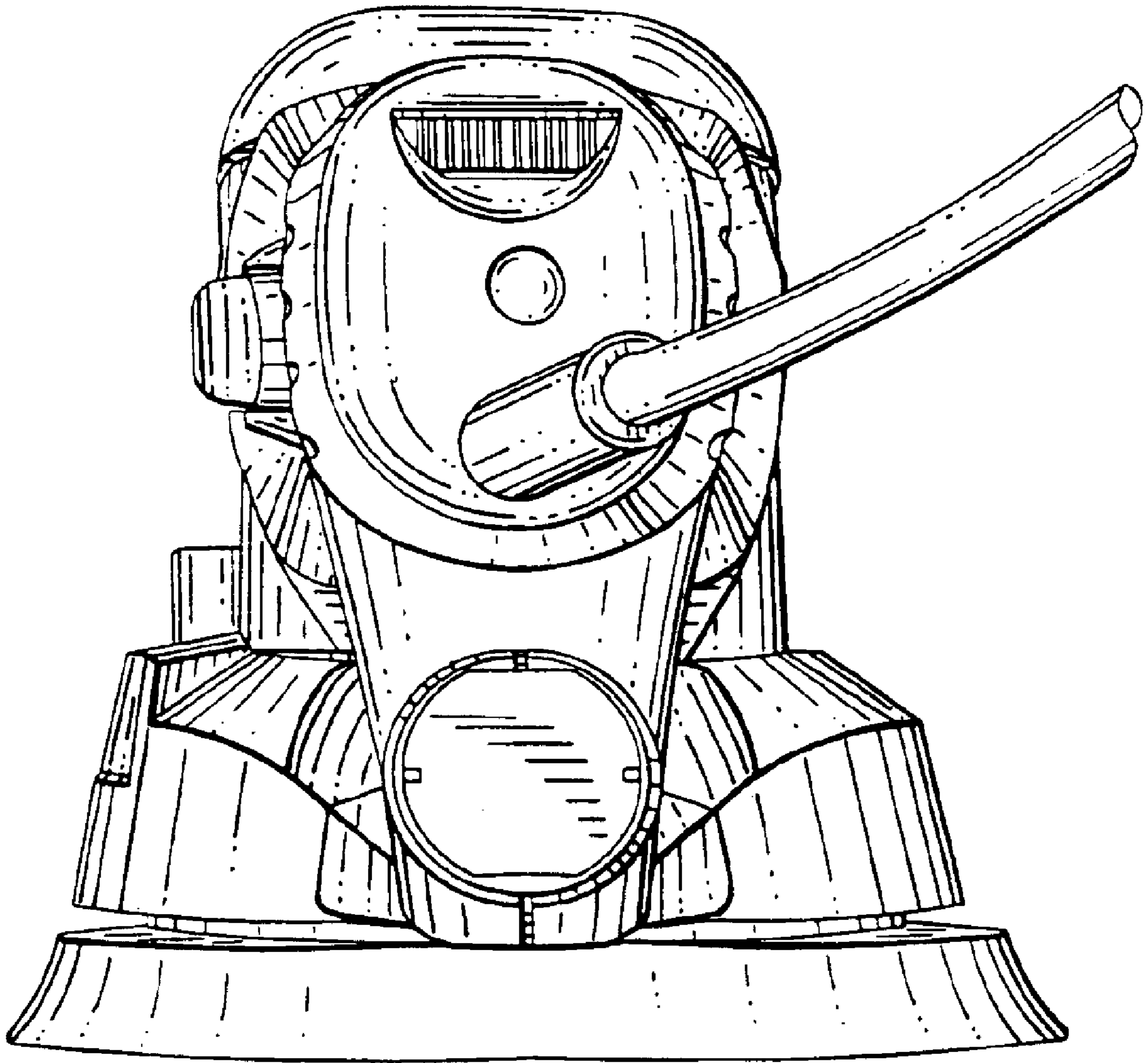


FIG. 7