

US00D518694S

(12) **United States Design Patent**
Yu

(10) **Patent No.:** **US D518,694 S**

(45) **Date of Patent:** **** Apr. 11, 2006**

(54) **DESKTOP CORKSCREW**

(75) Inventor: **Kwok Leung Yu**, New Territories (HK)

(73) Assignee: **Ko Fung Products Industrial Limited**,
New Territories (HK)

(**) Term: **14 Years**

(21) Appl. No.: **29/222,472**

(22) Filed: **Feb. 1, 2005**

(51) **LOC (8) Cl.** **07-99**

(52) **U.S. Cl.** **D8/39**

(58) **Field of Classification Search** D8/33-43,
D8/105; D7/665, 66, 680, 683-687; D27/195;
7/113, 151-155; 30/113.1, 113.2, 113.3; 81/3.45,
81/3.48, 3.49

See application file for complete search history.

(56) **References Cited**

U.S. PATENT DOCUMENTS

D174,858 S	*	5/1955	Greco et al.	D8/33
D295,944 S	*	5/1988	Cooper	D8/33
D408,697 S	*	4/1999	de Bergen	D8/42
D442,043 S	*	5/2001	Kao	D8/39

D468,602 S	*	1/2003	Yu	D8/39
D471,777 S	*	3/2003	Yu	D8/39
D477,757 S	*	7/2003	Yu	D8/42
D477,973 S	*	8/2003	Yu	D8/39
D481,599 S	*	11/2003	Yu	D8/39
D496,241 S	*	9/2004	Yu	D8/39

* cited by examiner

Primary Examiner—Caron D. Veynar

Assistant Examiner—Garth Rademaker

(74) *Attorney, Agent, or Firm*—Rabin & Berdo, P.C.

(57) **CLAIM**

The ornamental design for a desktop corkscrew, as shown and described.

DESCRIPTION

FIG. 1 is a perspective view of a desktop corkscrew showing my new design;

FIG. 2 is a rear view thereof;

FIG. 3 is a left side view thereof;

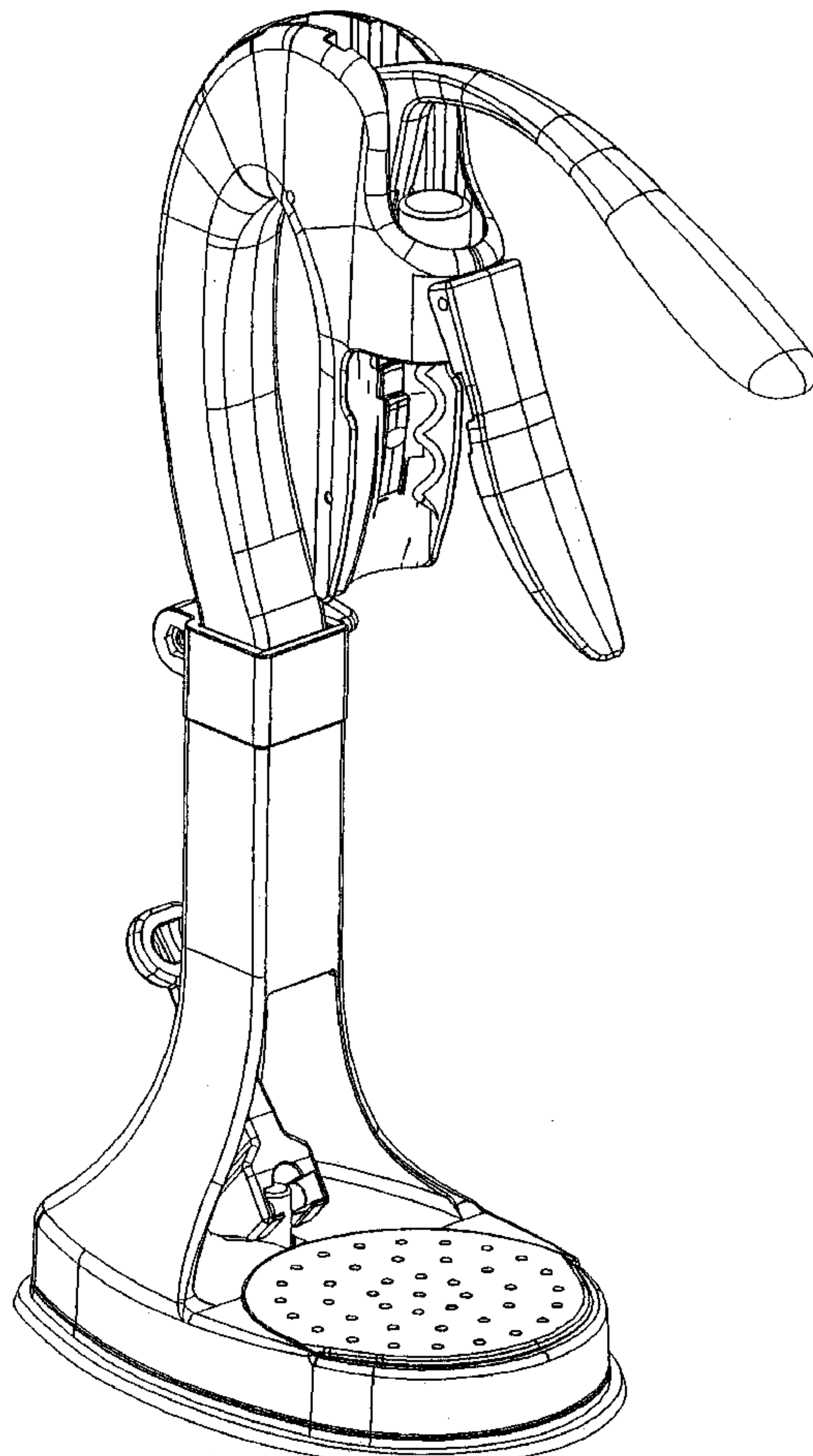
FIG. 4 is a right side view thereof;

FIG. 5 is a bottom view thereof;

FIG. 6 is a top view thereof; and,

FIG. 7 is a front perspective view thereof.

1 Claim, 5 Drawing Sheets



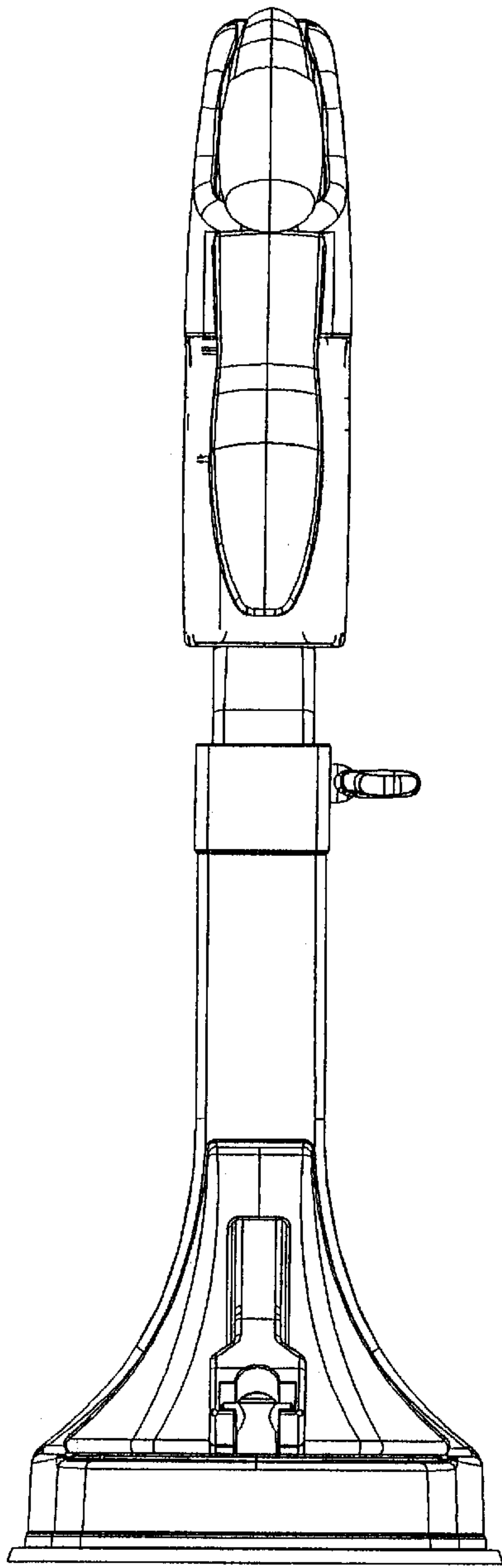


FIG. 1

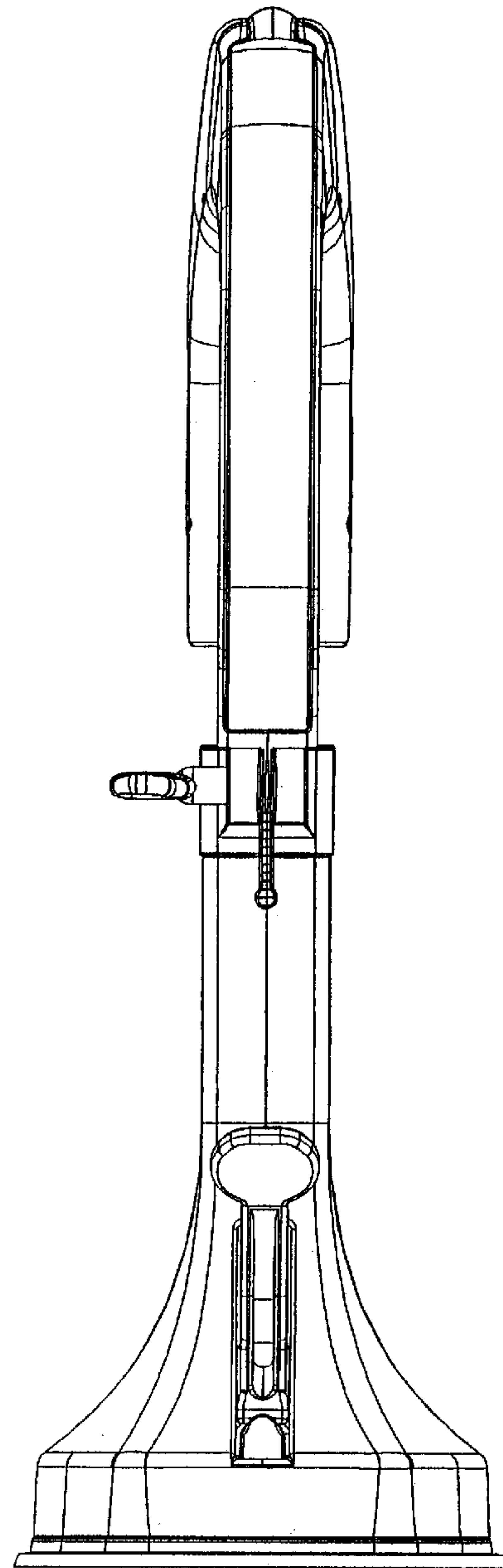


FIG. 2

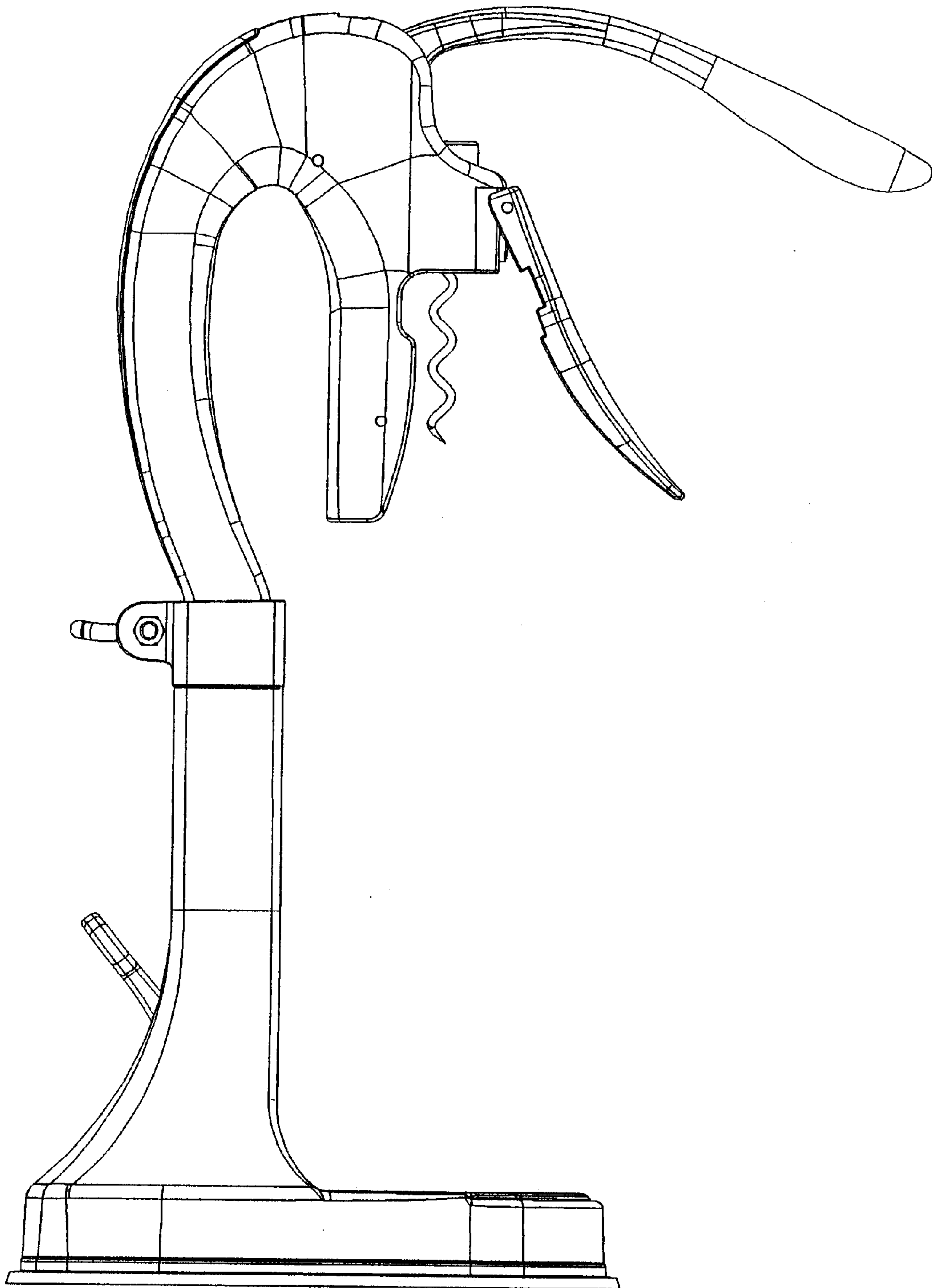


FIG. 3

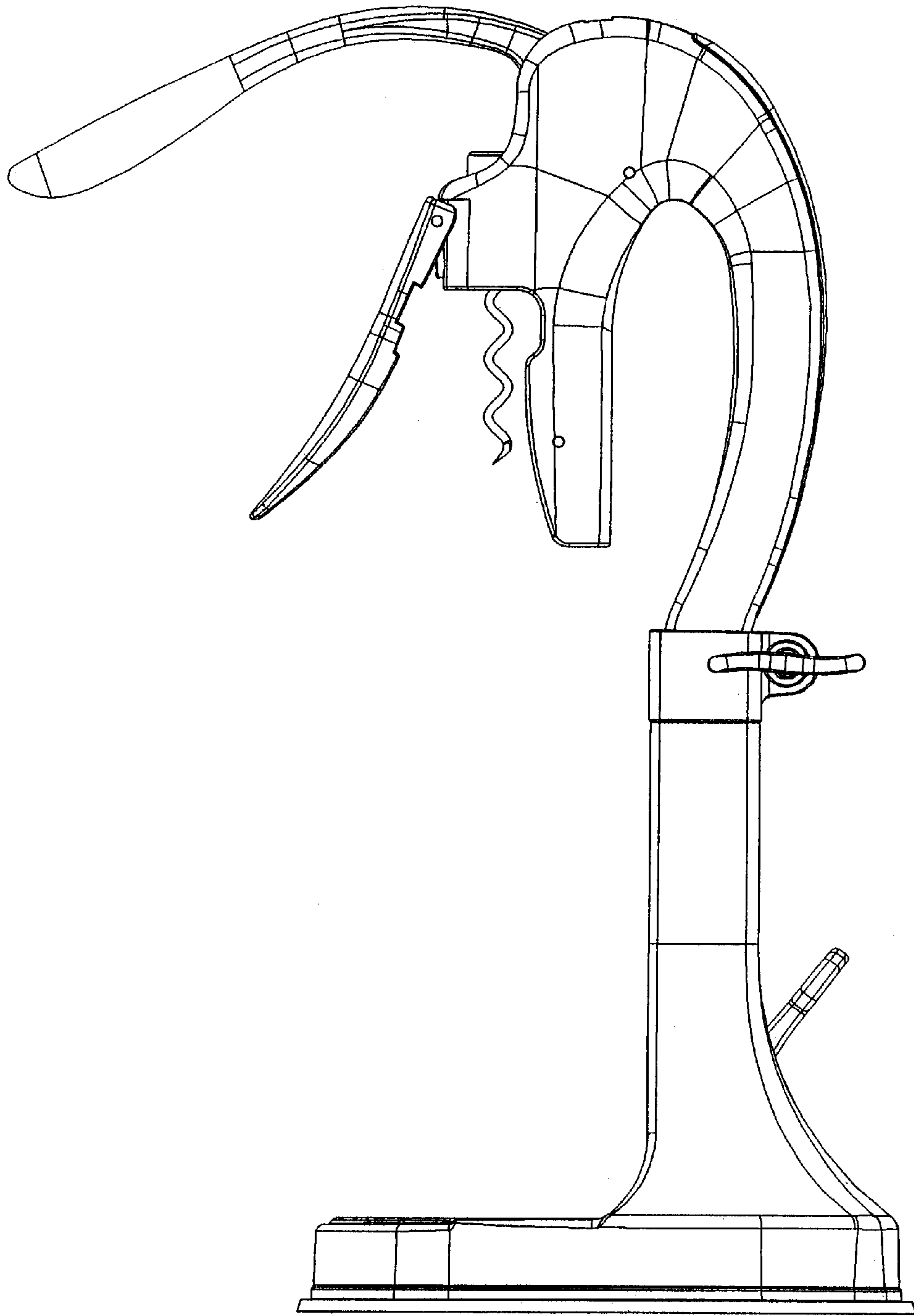


FIG. 4

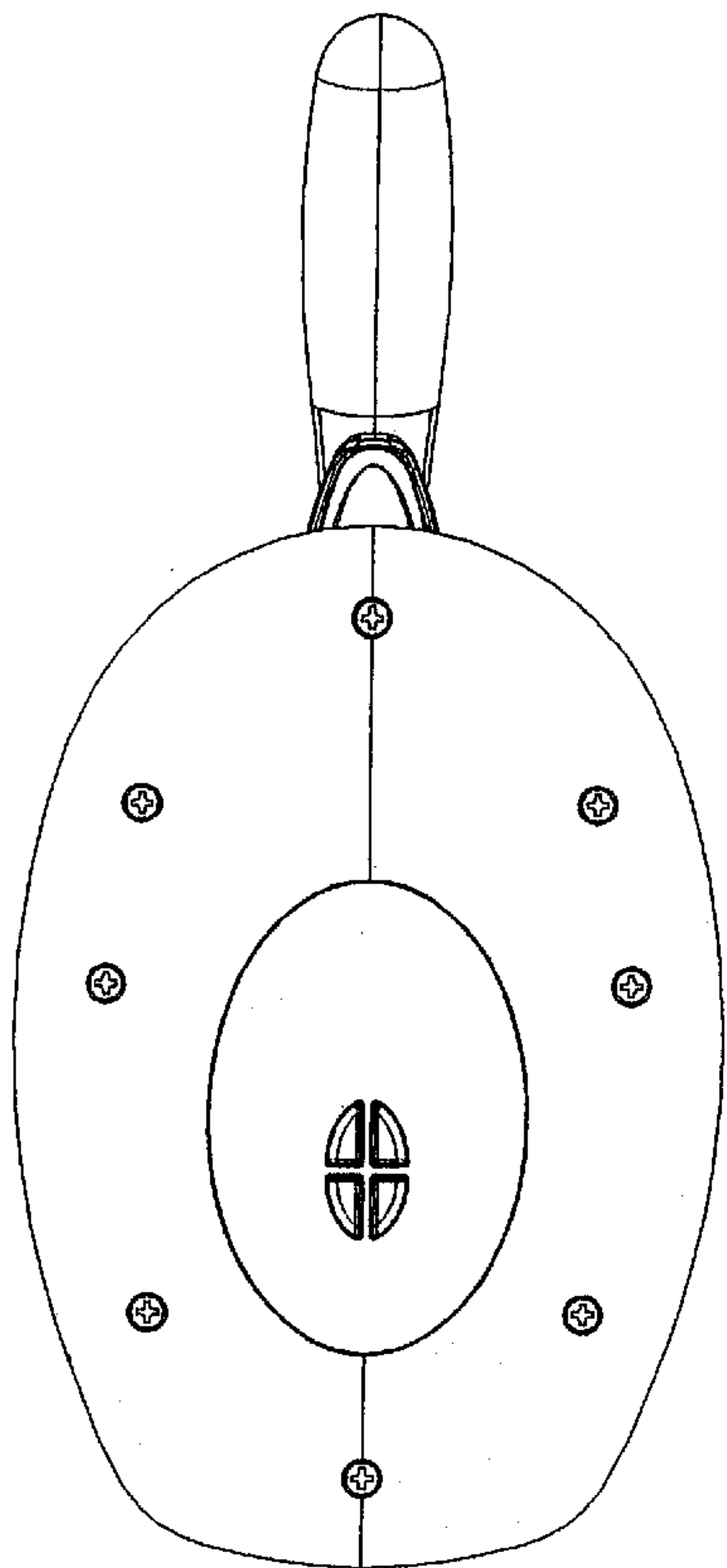


FIG. 5

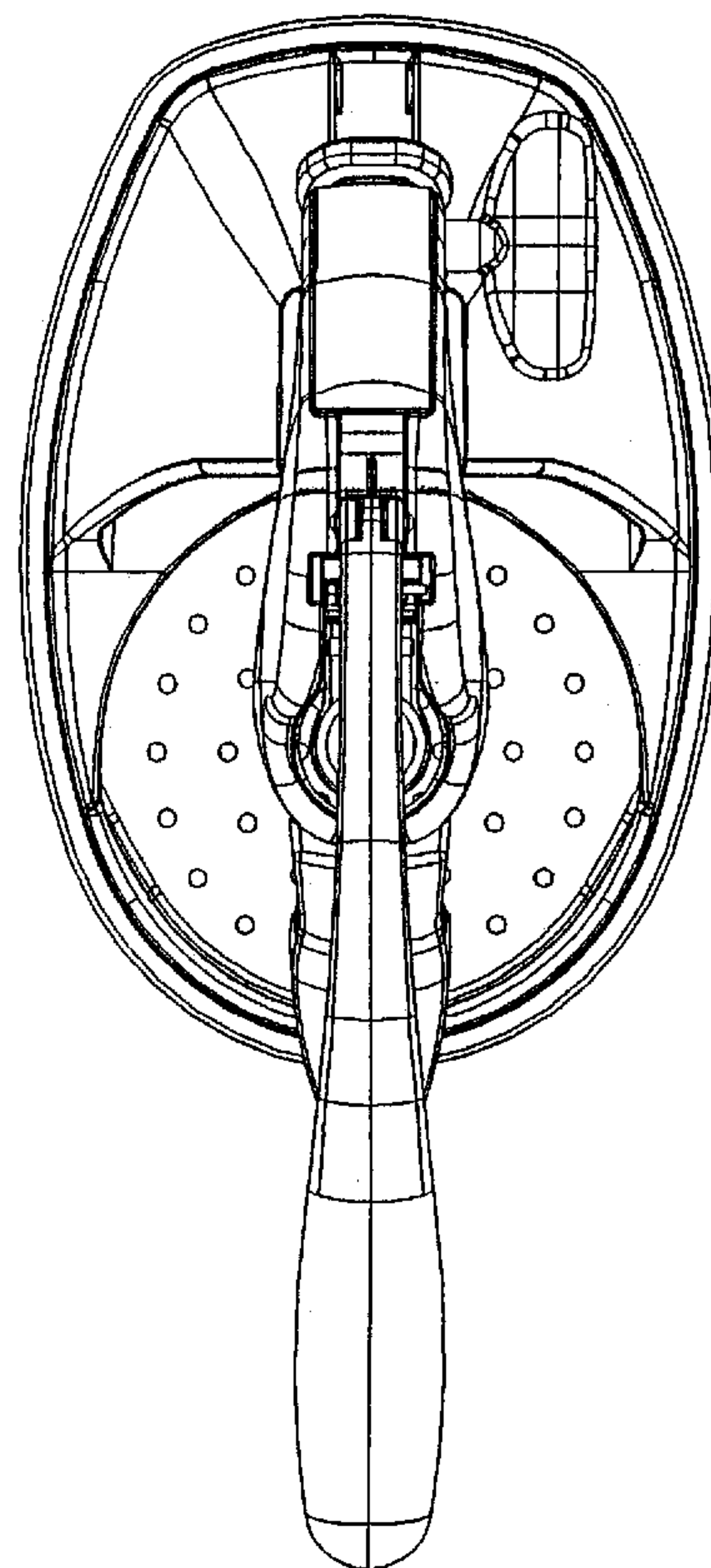


FIG. 6

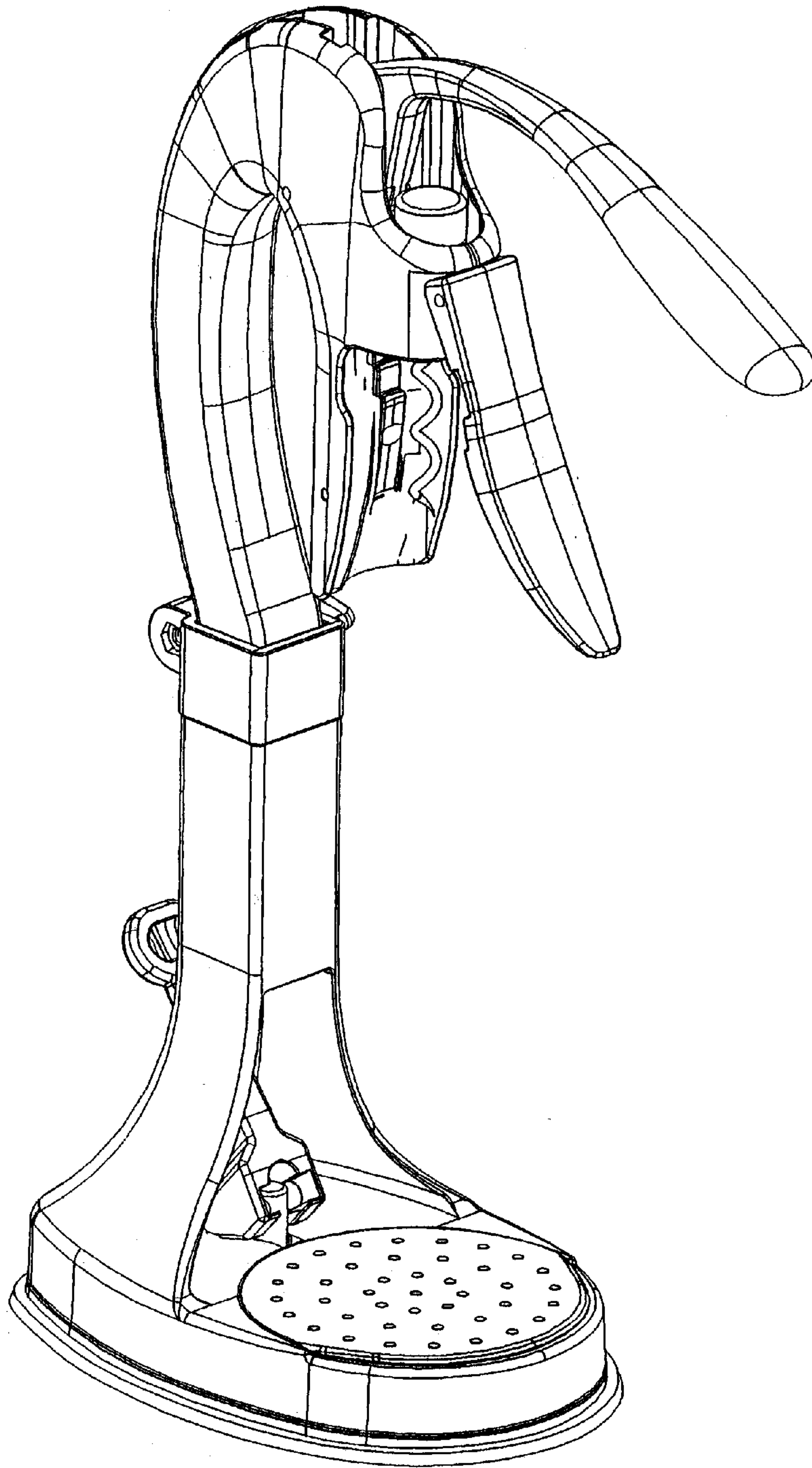


FIG. 7