



US00D518692S

(12) **United States Design Patent**  
**Saunders**

(10) **Patent No.:** **US D518,692 S**  
(45) **Date of Patent:** **\*\* Apr. 11, 2006**

- (54) **RATCHET WRENCH**
- (75) Inventor: **James Saunders**, Memphis, TN (US)
- (73) Assignee: **Great Neck Saw Manufacturers, Inc.**, Mineola, NY (US)
- (\*\*) Term: **14 Years**
- (21) Appl. No.: **29/191,998**
- (22) Filed: **Oct. 14, 2003**
- (51) **LOC (8) Cl.** ..... **08-05**
- (52) **U.S. Cl.** ..... **D8/25**
- (58) **Field of Classification Search** ..... D8/21-29, D8/107; 81/60-63.2, 58.1, 177.4, 177.1-177.2, 81/177.6, 177.9, 121.1, 124.3, 59.1, 489  
See application file for complete search history.

(56) **References Cited**

**U.S. PATENT DOCUMENTS**

915,463 A	3/1909	Mumma	
1,382,492 A	6/1921	Evans	
D132,891 S	* 6/1942	Chapman	D8/25
2,306,228 A	12/1942	Shaw	
2,981,389 A	4/1961	Kilness	
2,982,160 A	* 5/1961	Little	81/60
3,145,594 A	* 8/1964	Peters	81/63
D202,570 S	10/1965	De Puy	
3,250,157 A	5/1966	Badger	
3,713,356 A	1/1973	Knudsen	
4,362,073 A	* 12/1982	Cloud	81/59.1
4,711,145 A	12/1987	Inoue	
4,770,071 A	9/1988	Steier	
4,777,852 A	10/1988	Herman	
4,905,548 A	3/1990	Colace	
4,986,147 A	1/1991	Cooper	
5,174,176 A	12/1992	Krivec	
D336,225 S	* 6/1993	Lin	D8/25
D340,628 S	* 10/1993	Chow	D8/25
5,280,740 A	1/1994	Ernst	
5,626,062 A	5/1997	Colvin	
D399,722 S	10/1998	Eidsmoe	
D402,867 S	12/1998	Macor	
5,957,009 A	9/1999	McCann	
6,000,302 A	12/1999	Chiang	
6,003,413 A	12/1999	Macor	
D418,385 S	1/2000	Tseng	
D422,192 S	4/2000	Cleveland	

D422,475 S	4/2000	Su	
6,070,503 A	6/2000	Shiao	
D427,876 S	7/2000	Rowlay	
D429,979 S	8/2000	Chiang	
6,138,532 A	10/2000	McCann	
6,216,565 B1	4/2001	McCann	
6,216,567 B1	4/2001	Hu	
6,236,567 B1	5/2001	Chen	
6,332,380 B1	12/2001	Macor	
6,336,383 B1	1/2002	Hung	
D458,679 S	6/2002	Thompson	
6,405,621 B1	6/2002	Krivec	
6,431,030 B1	8/2002	Kuo	
6,431,031 B1	8/2002	Hu	
6,435,062 B1	8/2002	McCann	
D463,244 S	9/2002	Chen	
6,457,387 B1	* 10/2002	Hu	81/63.2
D465,987 S	11/2002	Lin	
D468,182 S	1/2003	Thompson	
D472,115 S	3/2003	Davidson	
D472,116 S	3/2003	Peters	
RE38,093 E	4/2003	Chiou	
6,543,316 B1	4/2003	Daigle	
6,557,442 B1	5/2003	Owoc	
6,568,299 B1	5/2003	Hu	
D476,203 S	6/2003	Mahan	
6,588,304 B1	7/2003	Kady	
D481,290 S	* 10/2003	Thompson et al.	D8/107
D493,341 S	* 7/2004	Chen	D8/25

\* cited by examiner

*Primary Examiner*—Raphael Barkai  
(74) *Attorney, Agent, or Firm*—Joseph J. Previto

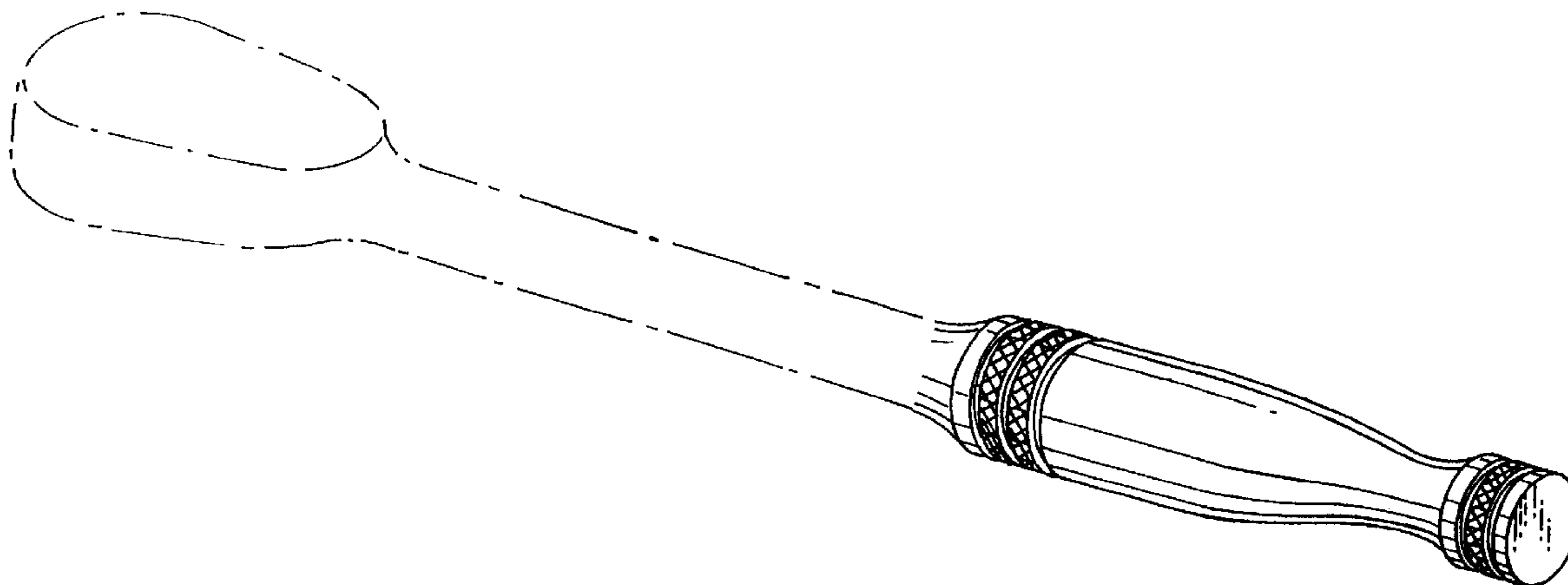
(57) **CLAIM**

The ornamental design of a ratchet wrench, substantially as shown and described.

**DESCRIPTION**

FIG. 1 is a perspective view of a ratchet wrench showing my new design.  
FIG. 2 is a top view thereof.  
FIG. 3 is a front end view thereof.  
FIG. 4 is a rear end view thereof; and,  
FIG. 5 is a side view thereof.  
The broken lines are for illustrative purposes only and form no part of the claimed design.

**1 Claim, 2 Drawing Sheets**



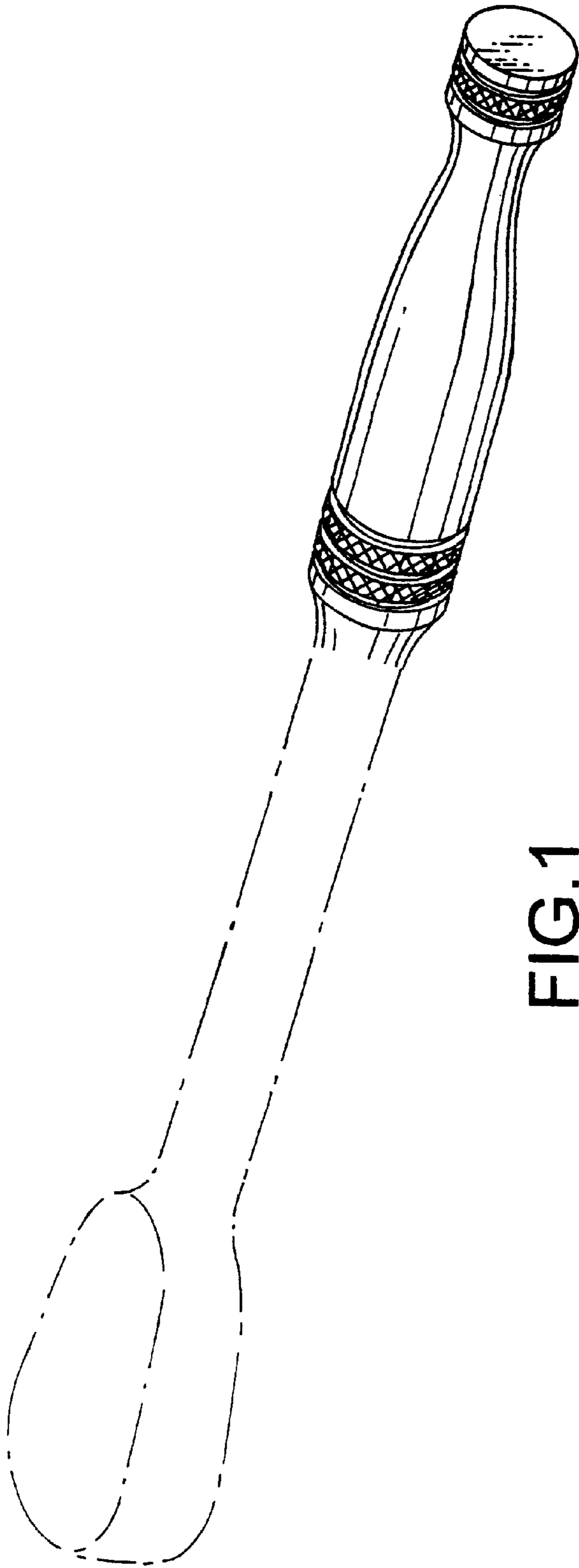


FIG. 1

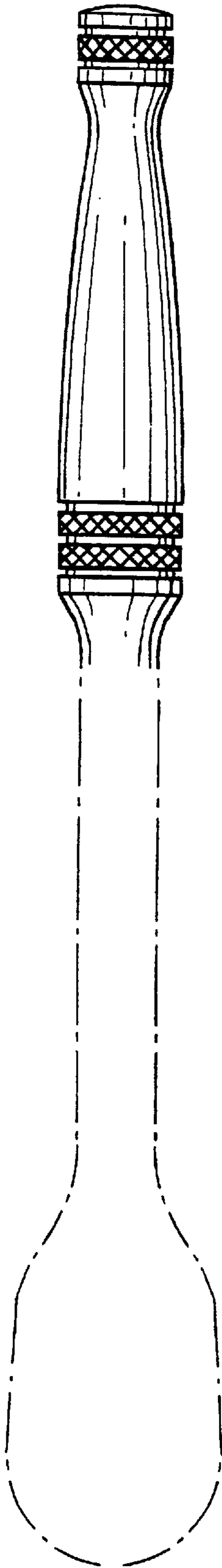


FIG. 2

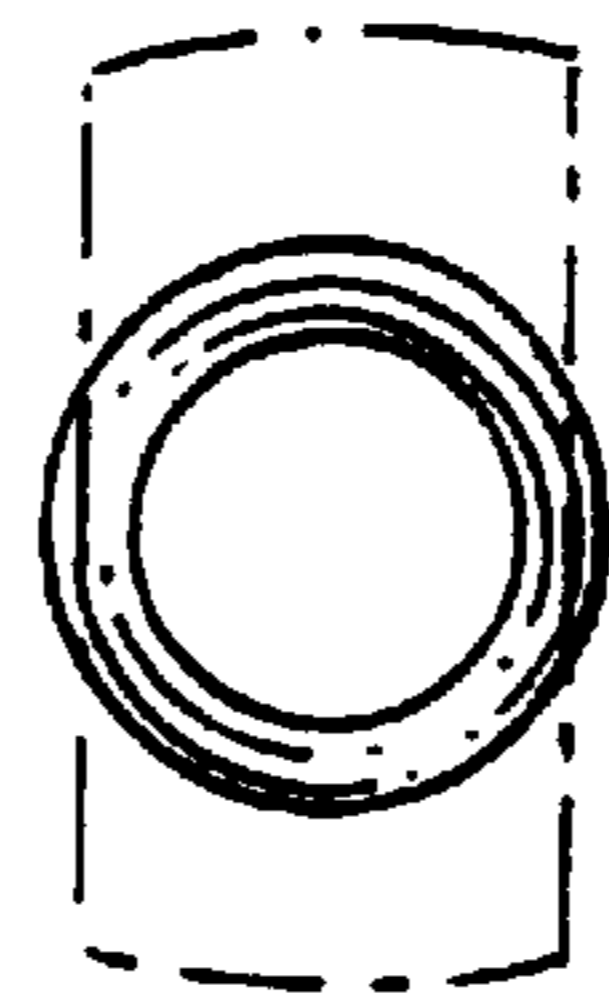


FIG. 3

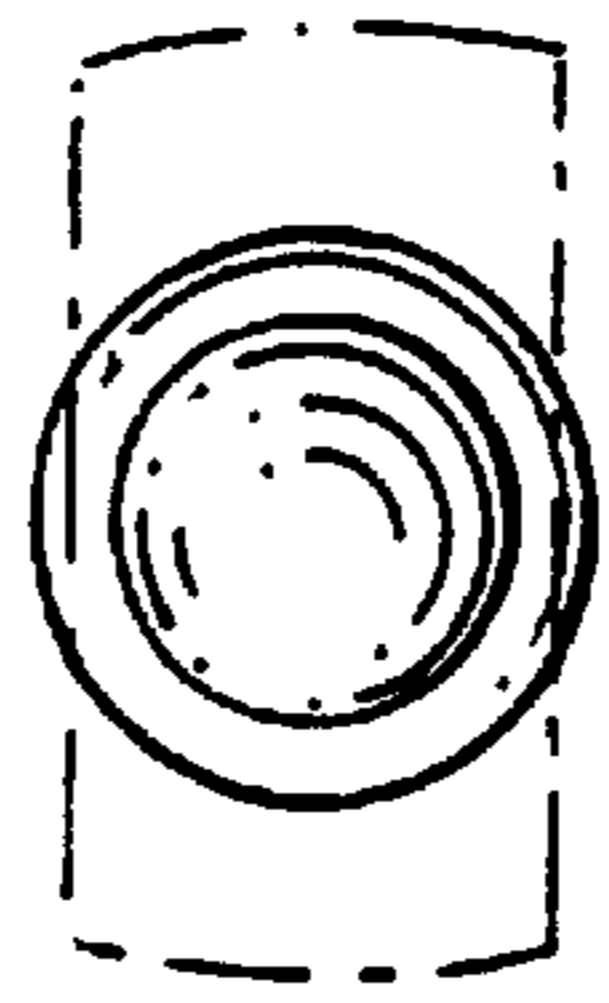


FIG. 4

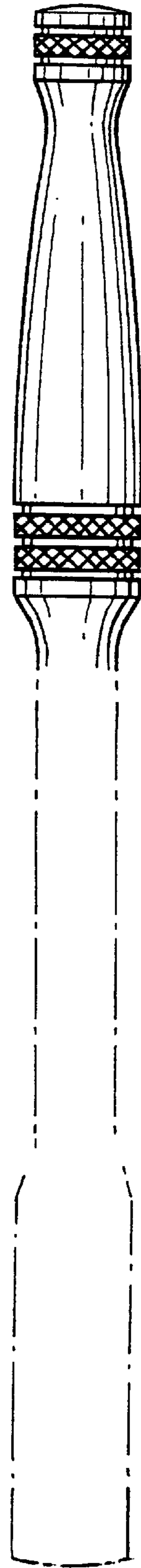


FIG. 5