



US00D518690S

(12) **United States Design Patent**
Grey

(10) **Patent No.:** **US D518,690 S**

(45) **Date of Patent:** **** Apr. 11, 2006**

(54) **HANDHELD STRIMMER**

D434,620 S * 12/2000 Martin D8/8

(75) Inventor: **Nicholas Gerald Grey**, Crowle (GB)

* cited by examiner

(73) Assignee: **Euro-Pro Corporation**, West Newton, MA (US)

Primary Examiner—Holly H. Baynham

(74) *Attorney, Agent, or Firm*—Shook, Hardy & Bacon LLP

(**) Term: **14 Years**

(57) **CLAIM**

(21) Appl. No.: **29/212,497**

The ornamental design for a handheld strimmer, as shown.

(22) Filed: **Sep. 2, 2004**

DESCRIPTION

(51) **LOC (8) Cl.** **08-01**

FIG. 1 is a view from one side of a handheld strimmer showing my new design;

(52) **U.S. Cl.** **D8/8**

FIG. 2 is a view from an opposite side thereof;

(58) **Field of Classification Search** D8/8;

FIG. 3 is a top plan view thereof; ;

30/276

FIG. 4 is a bottom view thereof;

See application file for complete search history.

FIG. 5 is a rear view thereof;

FIG. 6 is front view thereof; and,

FIG. 7 is a perspective view from the front and one side thereof.

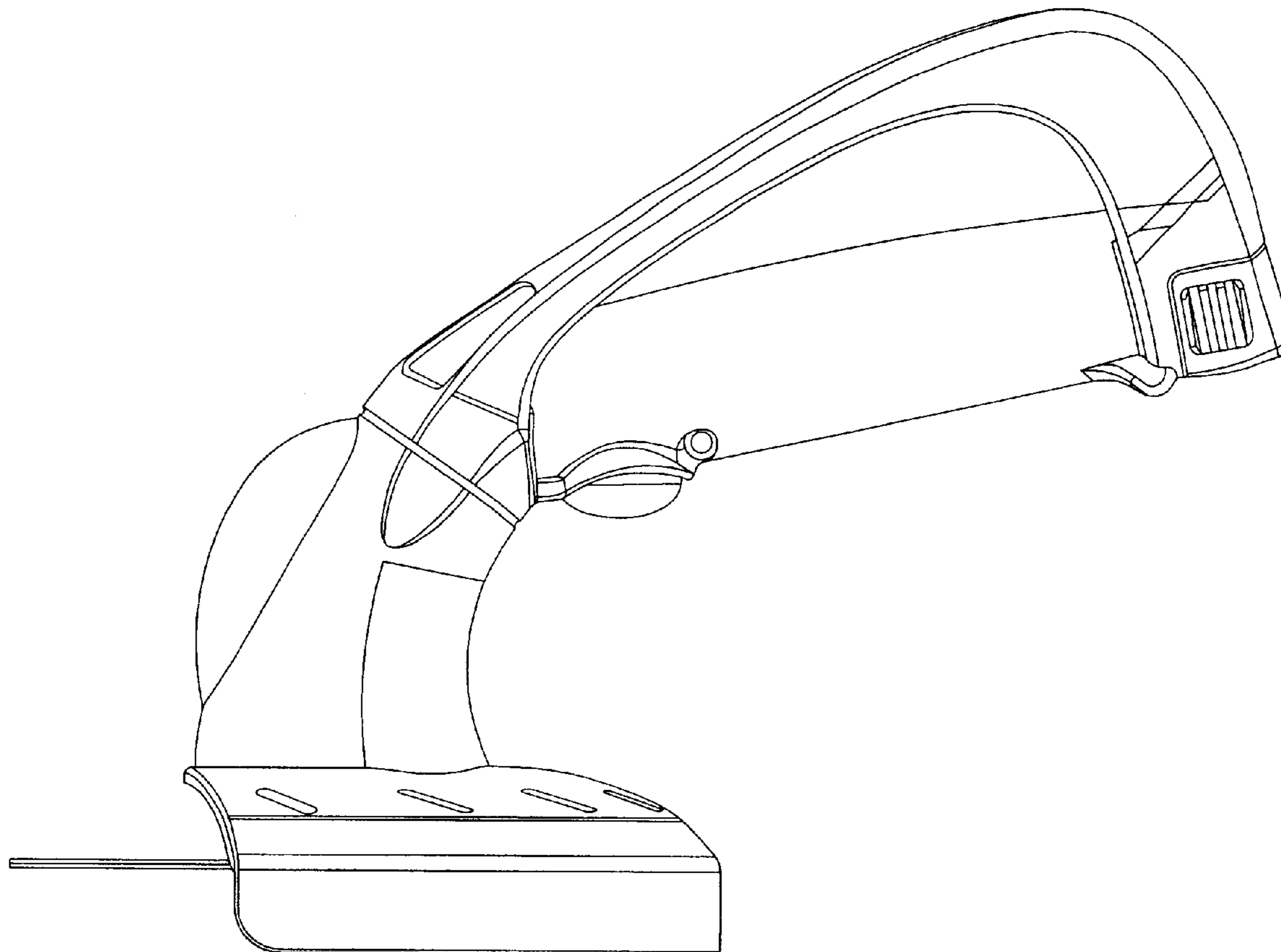
(56) **References Cited**

U.S. PATENT DOCUMENTS

D315,085 S * 3/1991 Sepke D8/8

D391,128 S * 2/1998 Somers D8/8

1 Claim, 4 Drawing Sheets



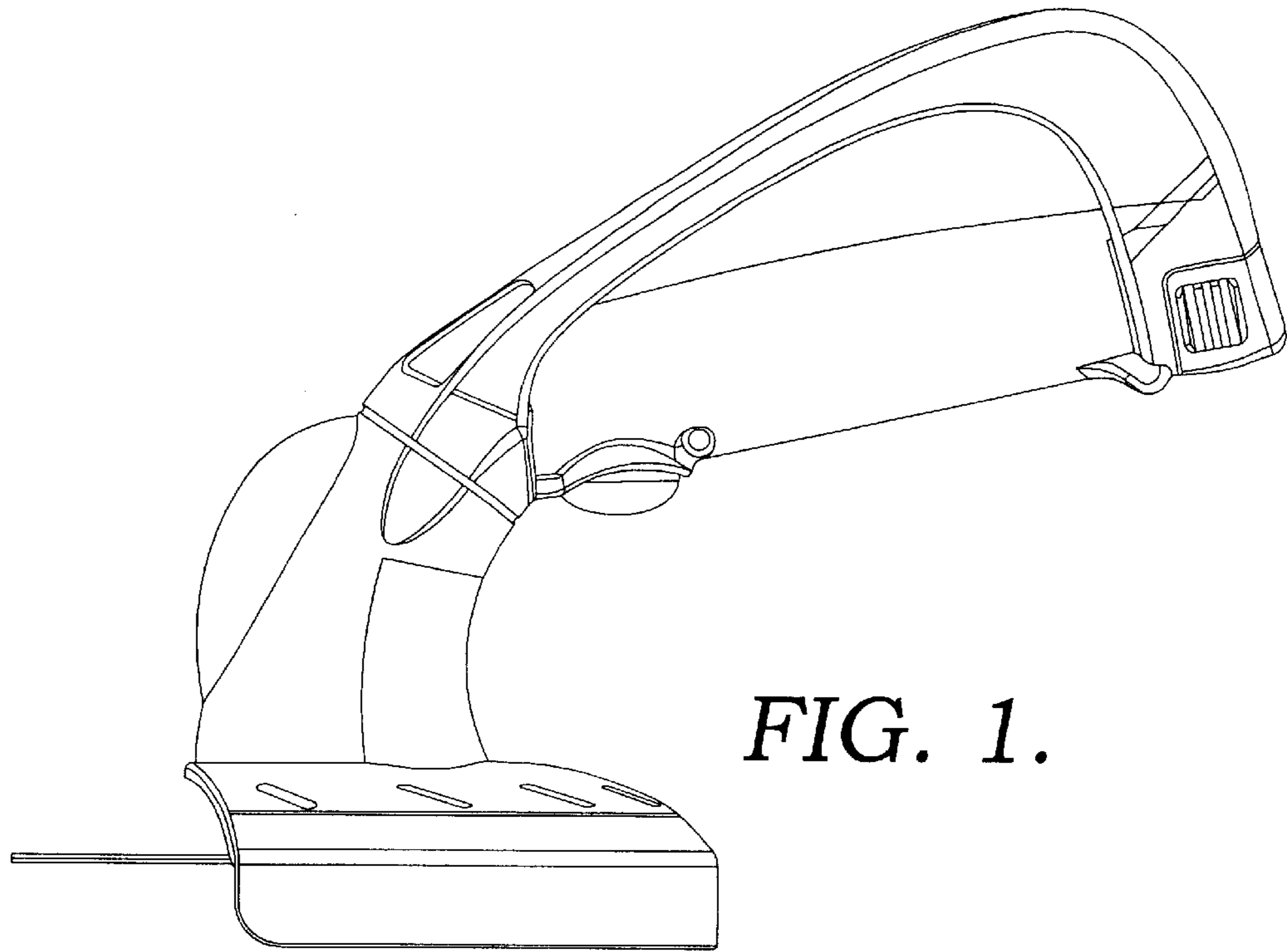


FIG. 1.

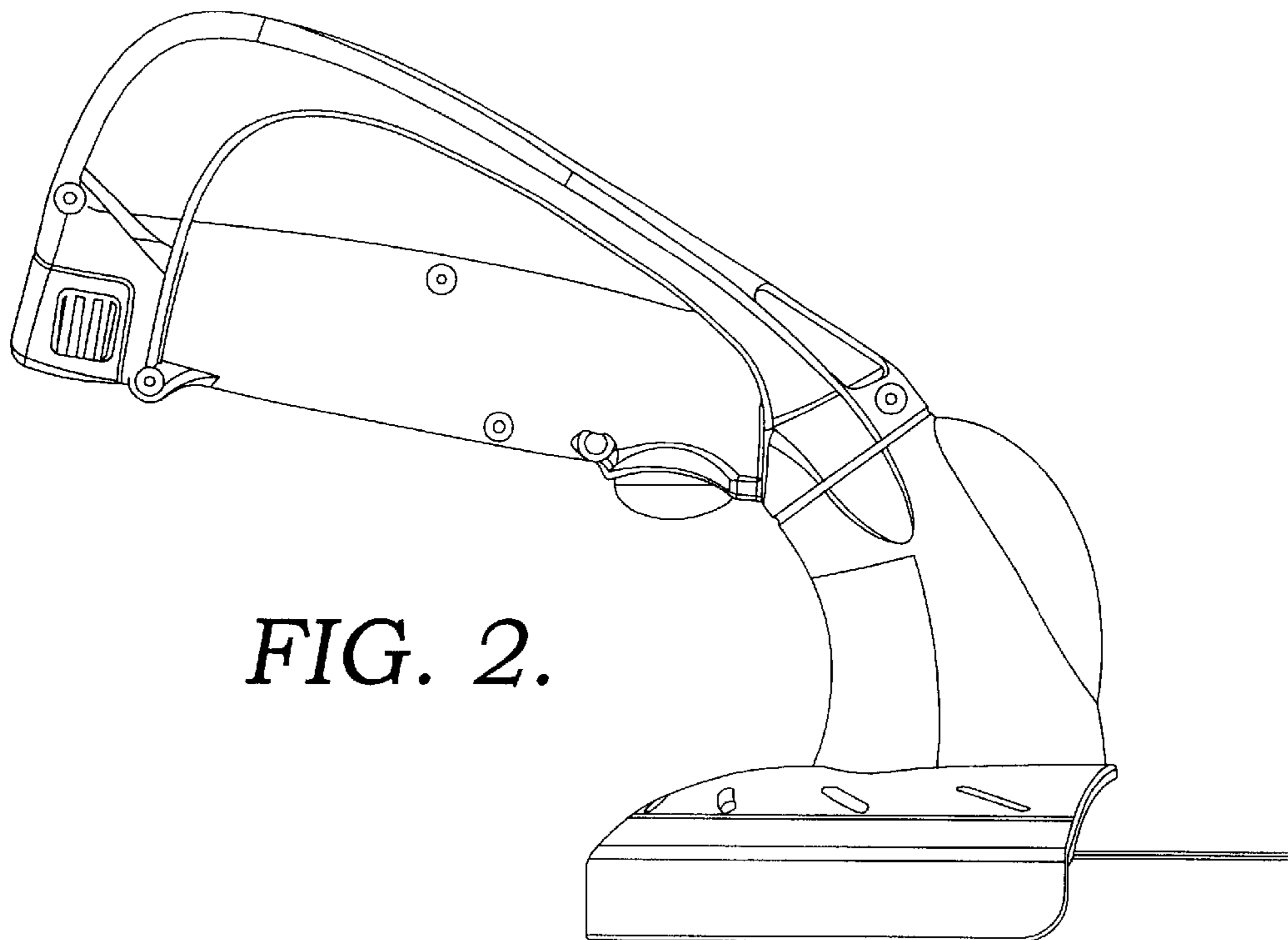


FIG. 2.

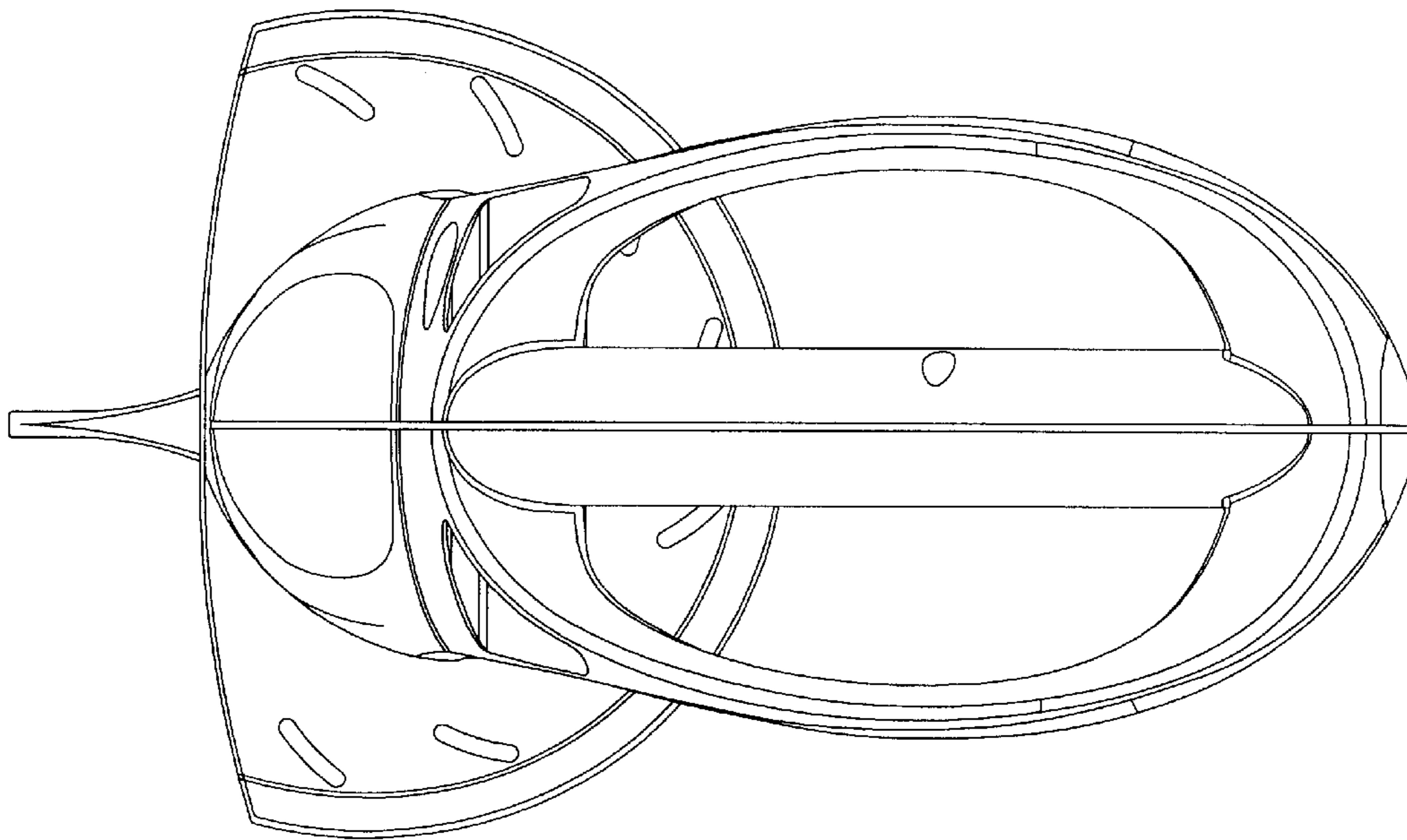


FIG. 3.

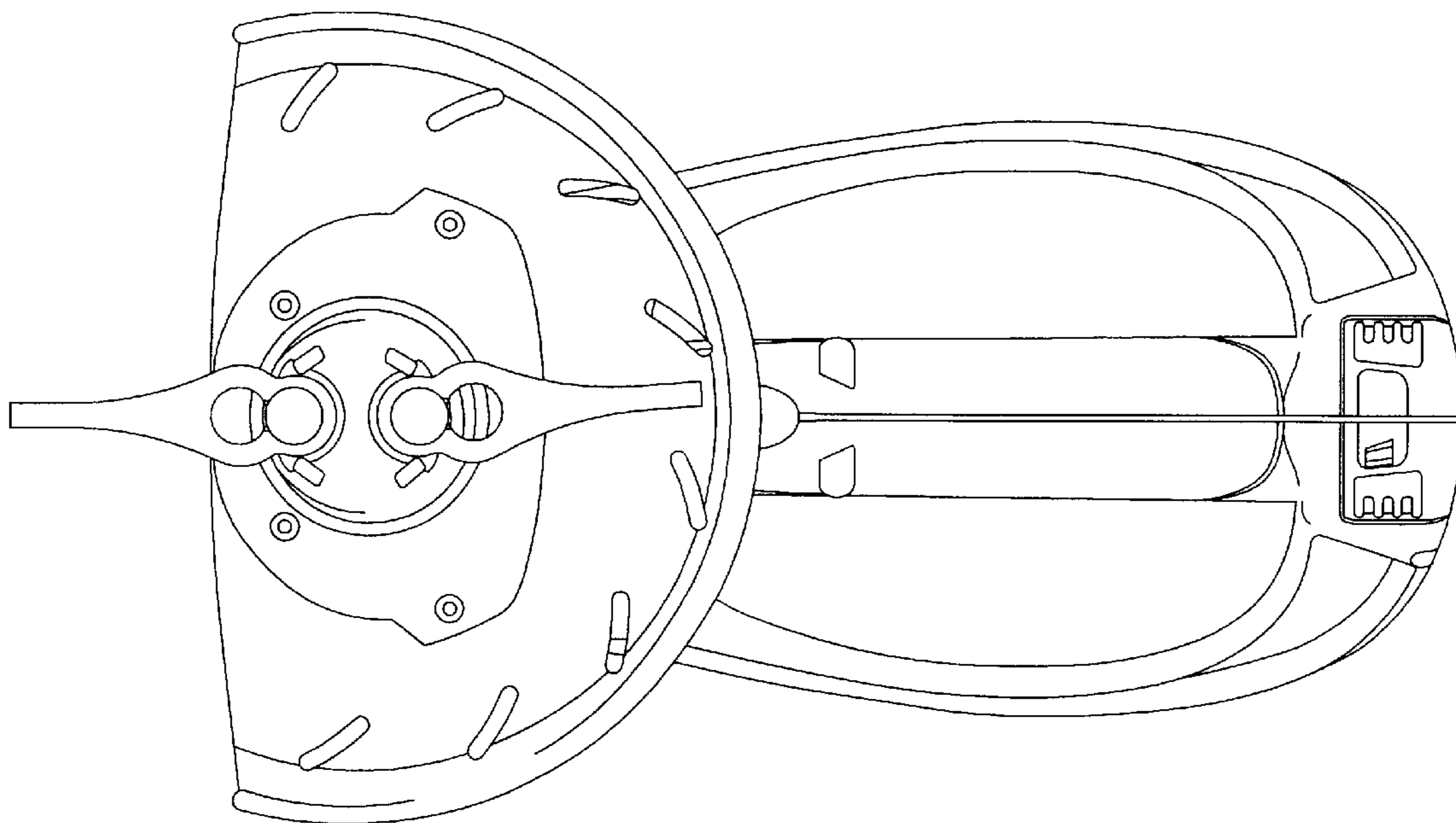


FIG. 4.

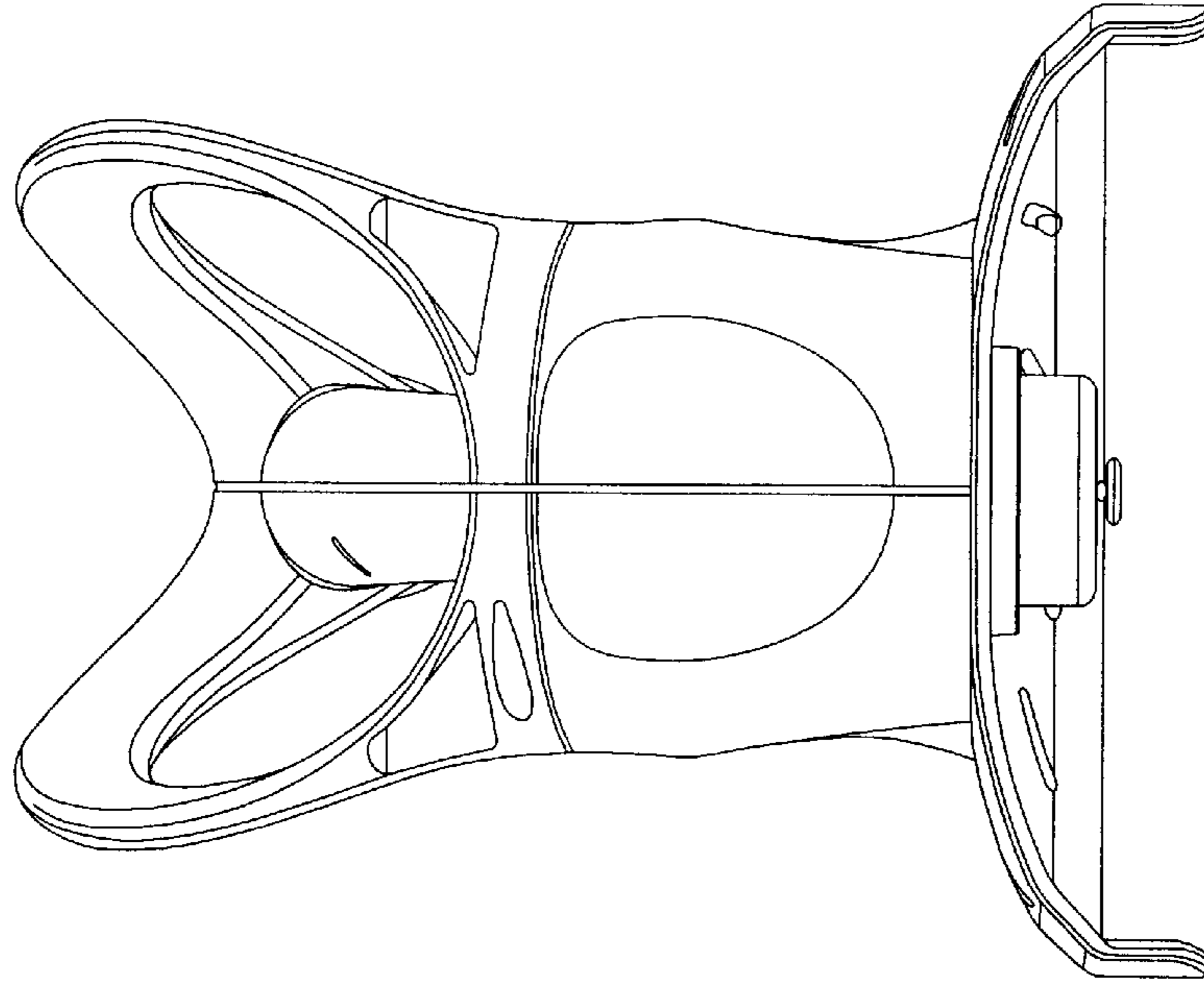


FIG. 5.

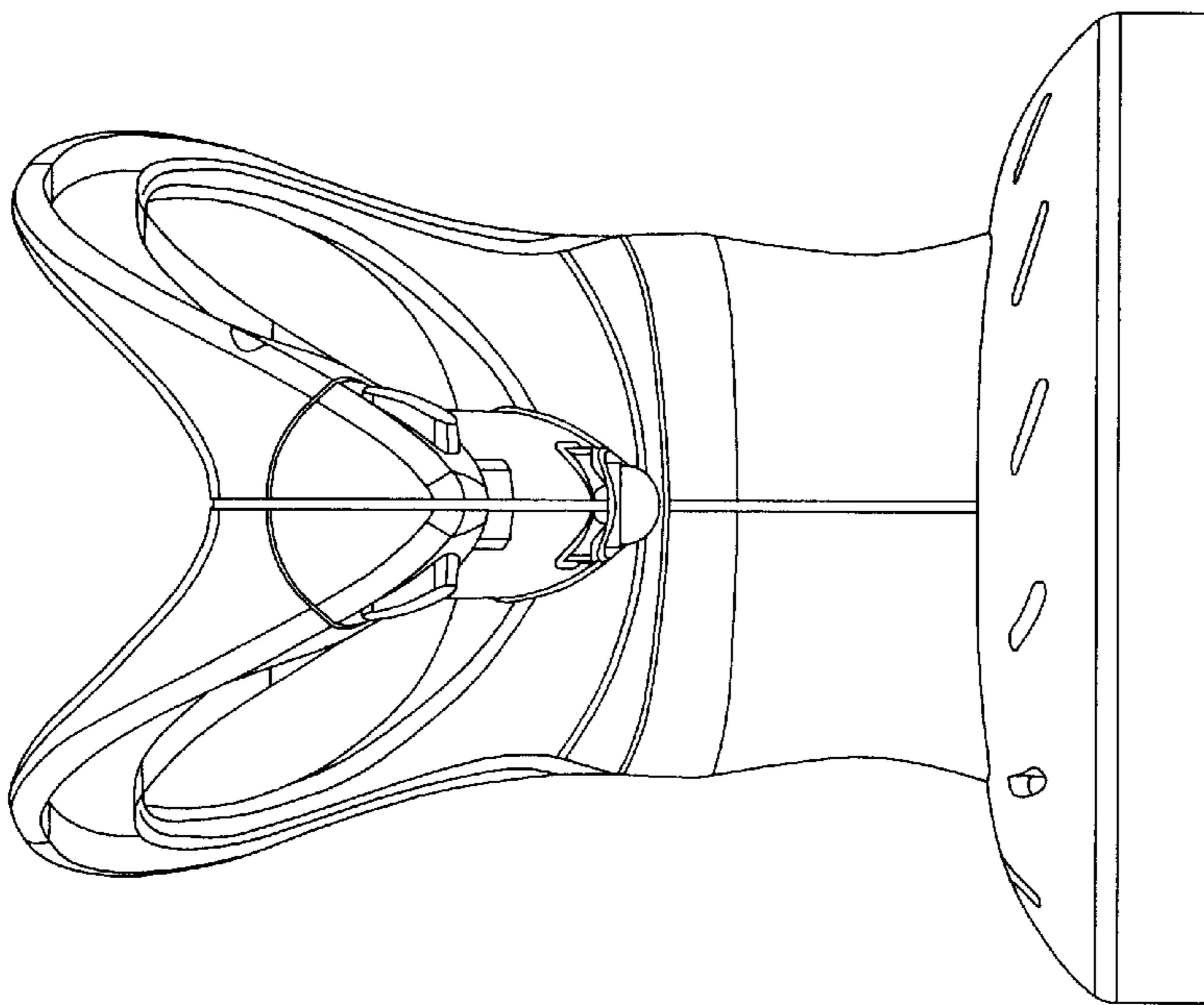


FIG. 6.

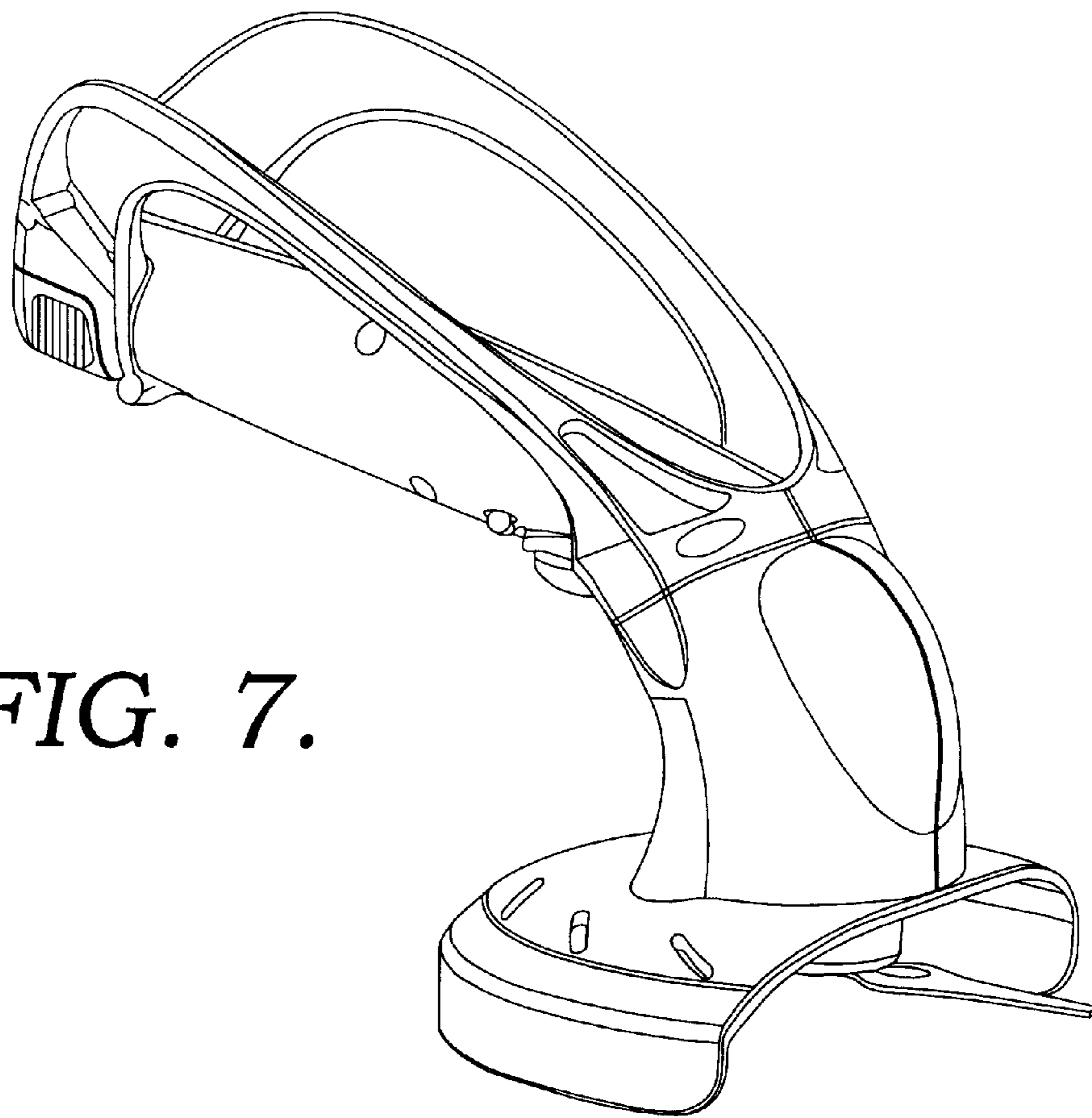


FIG. 7.