



US00D518688S

(12) **United States Design Patent**
Overthun et al.

(10) **Patent No.:** **US D518,688 S**

(45) **Date of Patent:** **** Apr. 11, 2006**

(54) **FOOD CHOPPER**

(75) Inventors: **Thomas Overthun**, San Francisco, CA (US); **James Yurchenco**, Palo Alto, CA (US); **Christopher A. Miksovsky**, San Francisco, CA (US); **Larry Cheng**, Palo Alto, CA (US); **Annetta Papadopoulous**, Palo Alto, CA (US)

| | | |
|-------------|---------|---------------|
| 4,117,980 A | 10/1978 | Hartmann |
| 4,192,470 A | 3/1980 | Hartmann |
| 4,457,070 A | 7/1984 | Reeves |
| 4,572,444 A | 2/1986 | Shaddock |
| D289,143 S | 4/1987 | Guillaume |
| 4,813,624 A | 3/1989 | Williams |
| 4,843,716 A | 7/1989 | Lutzker |
| 4,951,832 A | 8/1990 | Tenney et al. |

(Continued)

(73) Assignee: **Zyliss USA Corporation**, Foothills Ranch, CA (US)

(**) Term: **14 Years**

(21) Appl. No.: **29/224,065**

(22) Filed: **Feb. 23, 2005**

(51) **LOC (8) Cl.** **07-04**

(52) **U.S. Cl.** **D7/693**

(58) **Field of Classification Search** D7/693,
D7/372, 381, 412, 669; 99/509-513, 495,
99/337, 645; 241/92-95, 100, 168, 169, 169.1,
241/270, 272, 264, 283, 285.2

See application file for complete search history.

FOREIGN PATENT DOCUMENTS

| | | |
|----|--------------|---------|
| CH | 261313 | 8/1949 |
| CH | 313344 | 5/1956 |
| DE | 935749 | 11/1955 |
| EP | 0 345 223 A1 | 12/1989 |
| EP | 1 027 966 A1 | 8/2000 |
| FR | 2642294 | 3/1990 |
| GB | 2 046 584 A | 11/1980 |
| GB | 2 287 174 A | 9/1995 |
| GB | 2 293 753 A | 4/1996 |
| JP | 2-88198 | 3/1990 |

Primary Examiner—Terry A. Wallace

(74) *Attorney, Agent, or Firm*—Brinks Hofer Gilson & Lione

(56) **References Cited**

U.S. PATENT DOCUMENTS

| | | |
|-------------|---------|----------|
| 1,610,322 A | 12/1926 | Reich |
| 2,140,010 A | 12/1938 | Hanel |
| 2,241,501 A | 5/1941 | Bates |
| D155,564 S | 10/1949 | Ackerman |
| 2,782,826 A | 2/1957 | Zysset |
| 2,787,308 A | 4/1957 | Popeil |
| 2,815,056 A | 12/1957 | Gimelli |
| 2,872,958 A | 2/1959 | Popeil |
| 2,895,520 A | 7/1959 | Morris |
| 3,029,851 A | 4/1962 | Zysset |
| 3,083,747 A | 4/1963 | Zysset |
| 3,189,070 A | 6/1965 | Darling |
| 3,587,692 A | 6/1971 | Nelson |
| 3,598,271 A | 8/1971 | Holley |
| 3,667,519 A | 6/1972 | Shaddock |
| 3,933,315 A | 1/1976 | Popeil |
| 4,019,689 A | 4/1977 | Hunt |
| D244,416 S | 5/1977 | Zysset |

(57) **CLAIM**

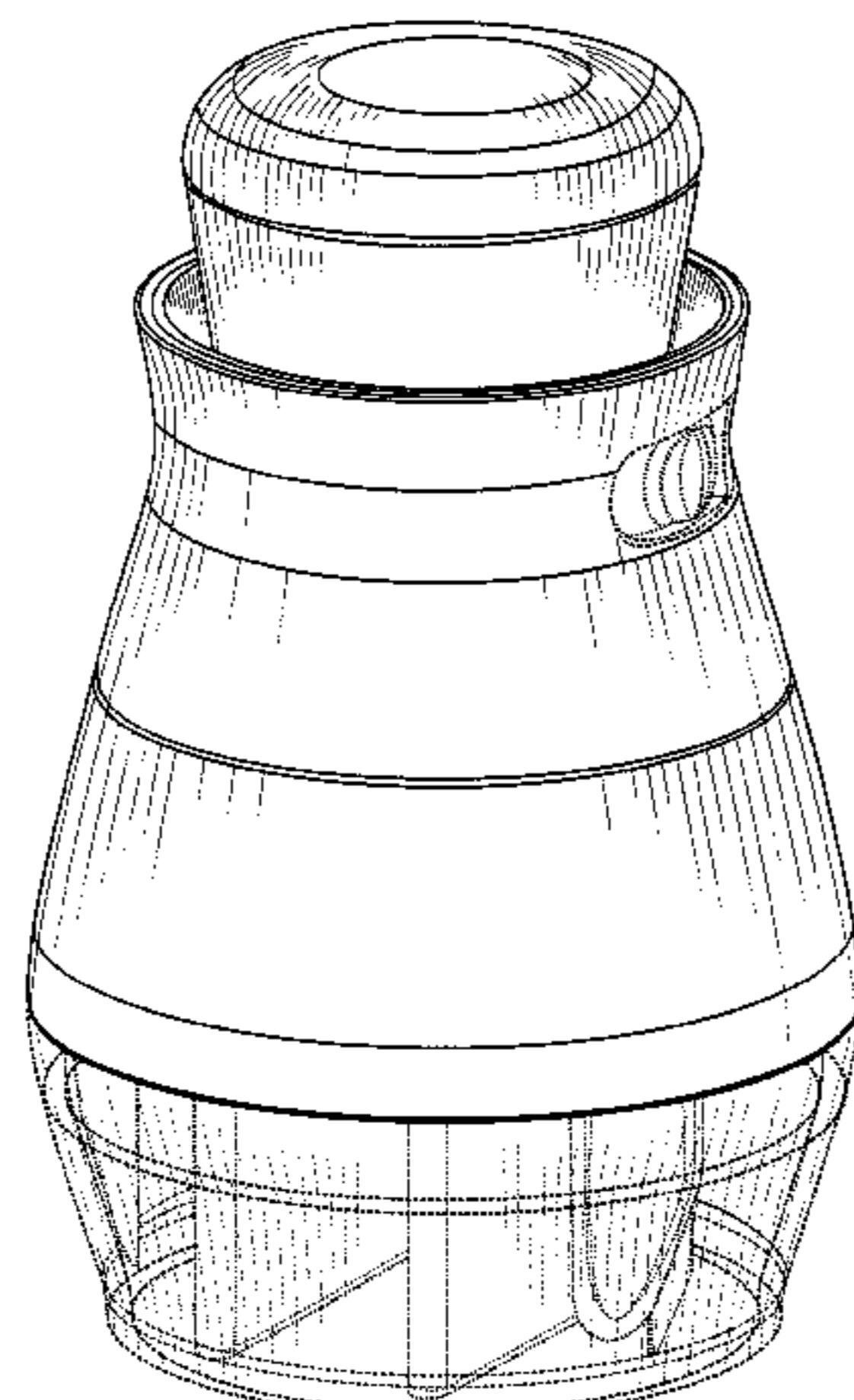
We claim the ornamental design for a food chopper, as shown and described.

DESCRIPTION

FIG. 1 is a perspective view of a food chopper of the present invention;
FIG. 2 is a bottom perspective view thereof;
FIG. 3 is a top perspective view thereof;
FIG. 4 is a front view thereof;
FIG. 5 is a rear view thereof;
FIG. 6 is a right side view thereof;
FIG. 7 is a left side view thereof;
FIG. 8 is a bottom plane view thereof; and,
FIG. 9 is a top plane view thereof.

Any broken lines in the drawings are for illustrative purposes only and form no part of the claimed design.

1 Claim, 6 Drawing Sheets



US D518,688 S

Page 2

| U.S. PATENT DOCUMENTS | | | | | | | |
|-----------------------|---|---------|---------------|--------------|----|---------|------------------|
| 4,967,970 | A | 11/1990 | Michel | 6,116,439 | A | 9/2000 | Yaniv |
| D328,248 | S | 7/1992 | Ruff | D437,749 | S | 2/2001 | Kaposi |
| D331,170 | S | 11/1992 | Greiner | D446,122 | S | 8/2001 | Weinstein et al. |
| D333,762 | S | 3/1993 | Herren | D463,959 | S | 10/2002 | Weibel |
| 5,417,327 | A | 5/1995 | Saumure | D464,853 | S | 10/2002 | Klamer |
| D363,642 | S | 10/1995 | Goto et al. | 6,467,644 | B1 | 10/2002 | Yeh |
| D372,835 | S | 8/1996 | Leverrier | 6,467,711 | B1 | 10/2002 | Michel |
| D376,979 | S | 12/1996 | Davidson, III | 6,585,179 | B1 | 7/2003 | Weibel et al. |
| D378,182 | S | 2/1997 | Wong | D481,271 | S | 10/2003 | Herren |
| 5,632,450 | A | 5/1997 | Moor | 6,655,032 | B1 | 12/2003 | Thompson et al. |
| D380,943 | S | 7/1997 | Wong | D487,668 | S | 3/2004 | Sands |
| D390,745 | S | 2/1998 | Leverrier | D489,585 | S | 5/2004 | Wong |
| D414,384 | S | 9/1999 | Schulein | 2002/0113155 | A1 | 8/2002 | Weibel et al. |
| 5,960,709 | A | 10/1999 | Yip | 2004/0149843 | A1 | 8/2004 | Tang |

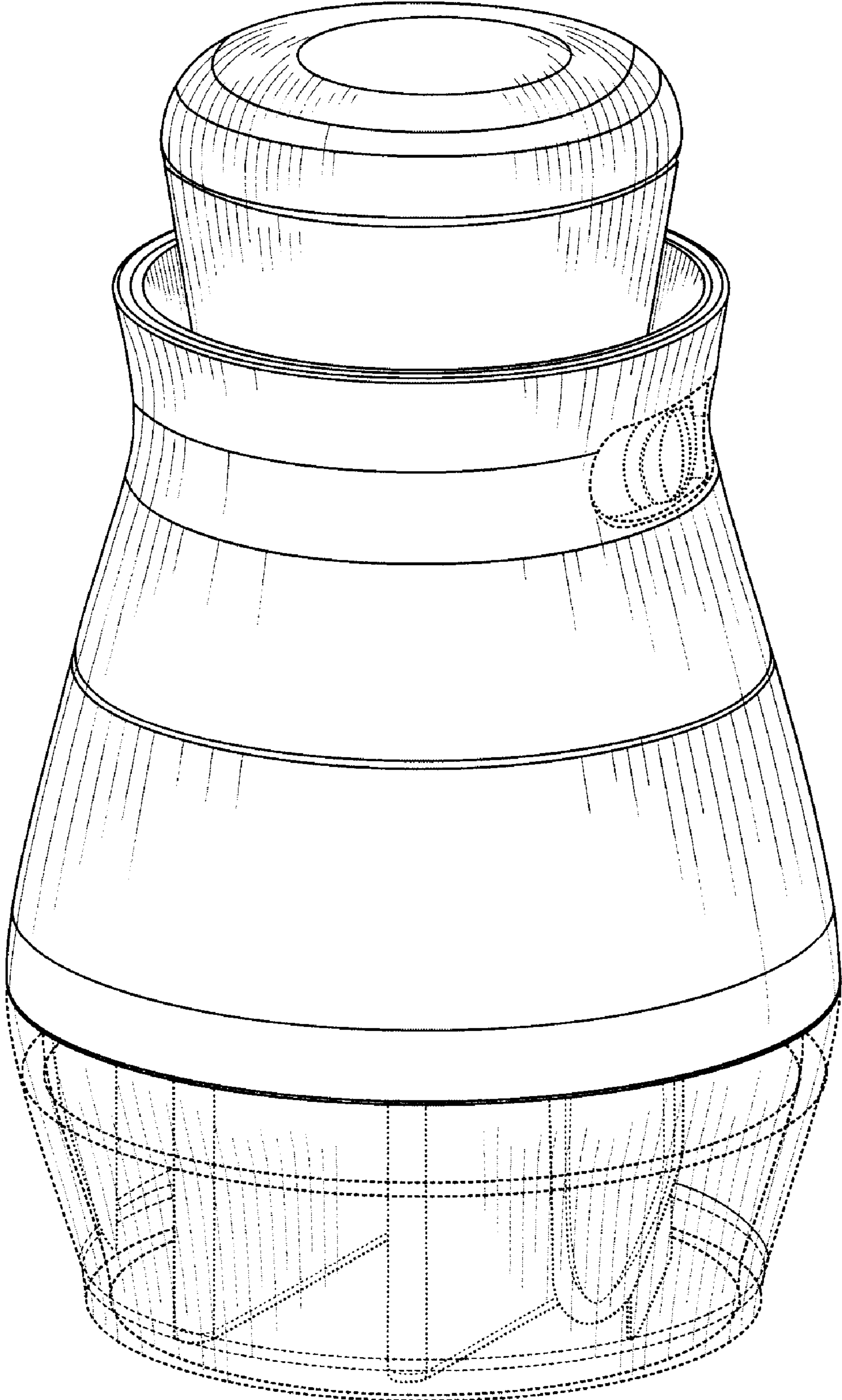


Fig. 1

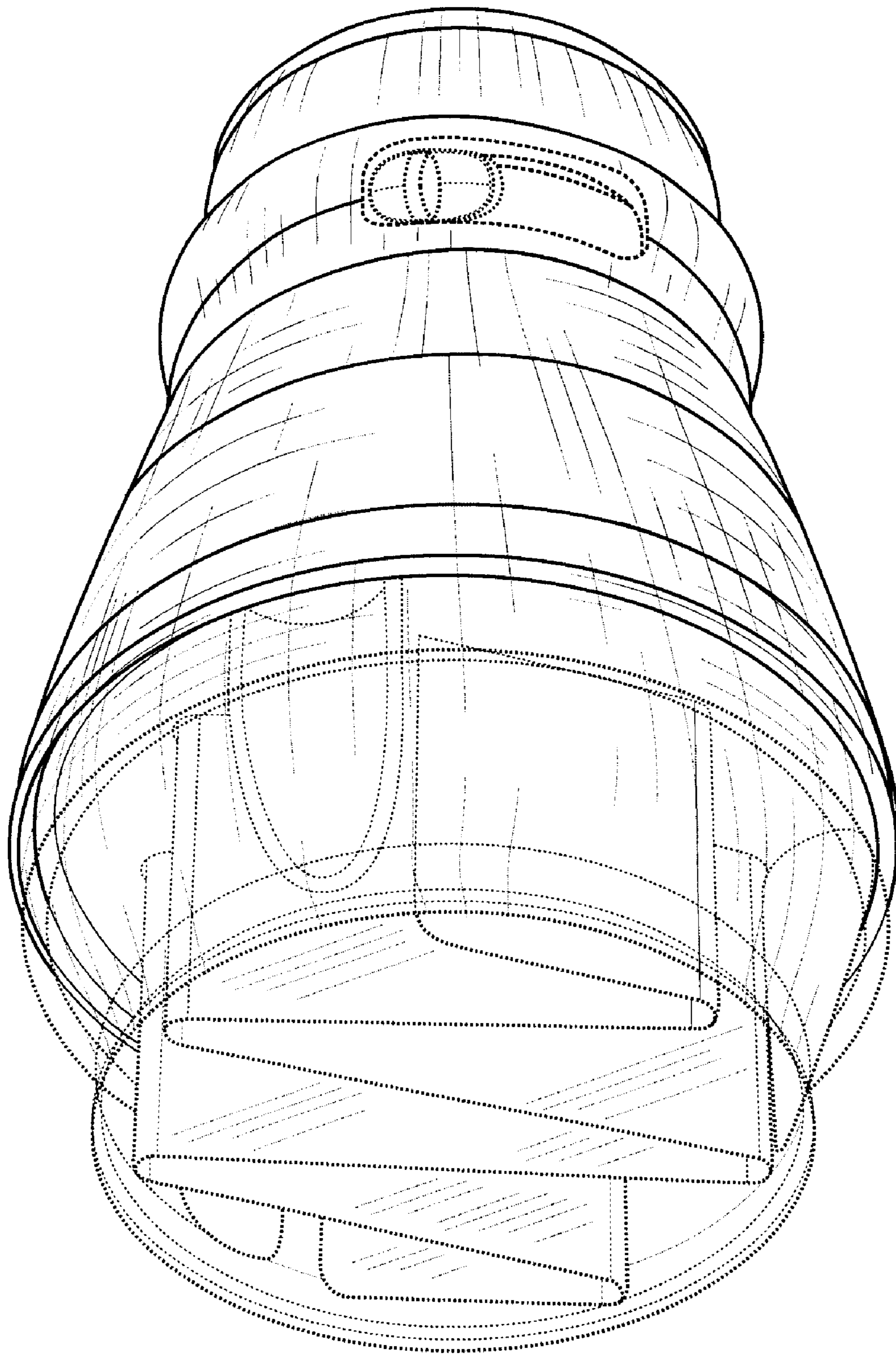


Fig. 2

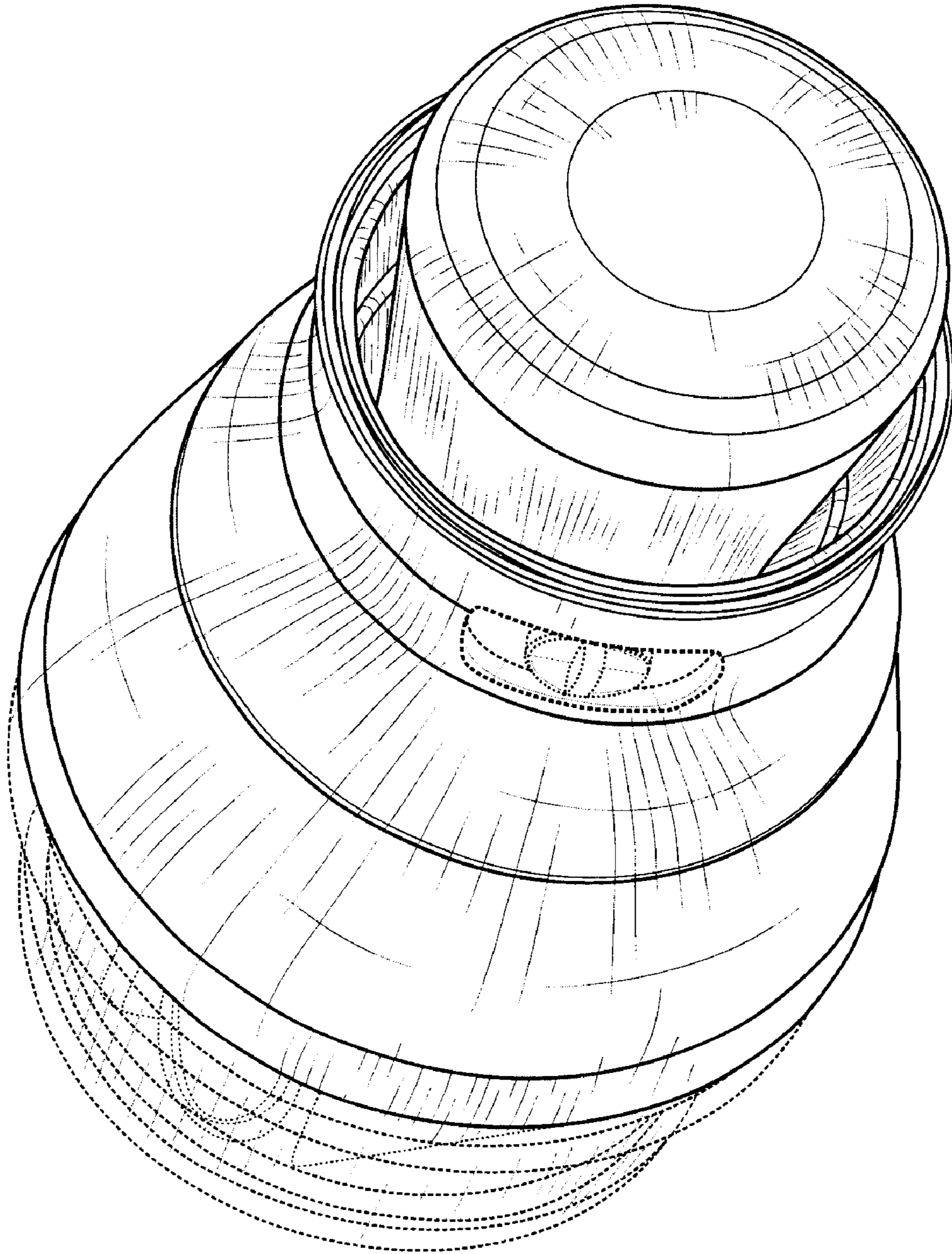


Fig. 3

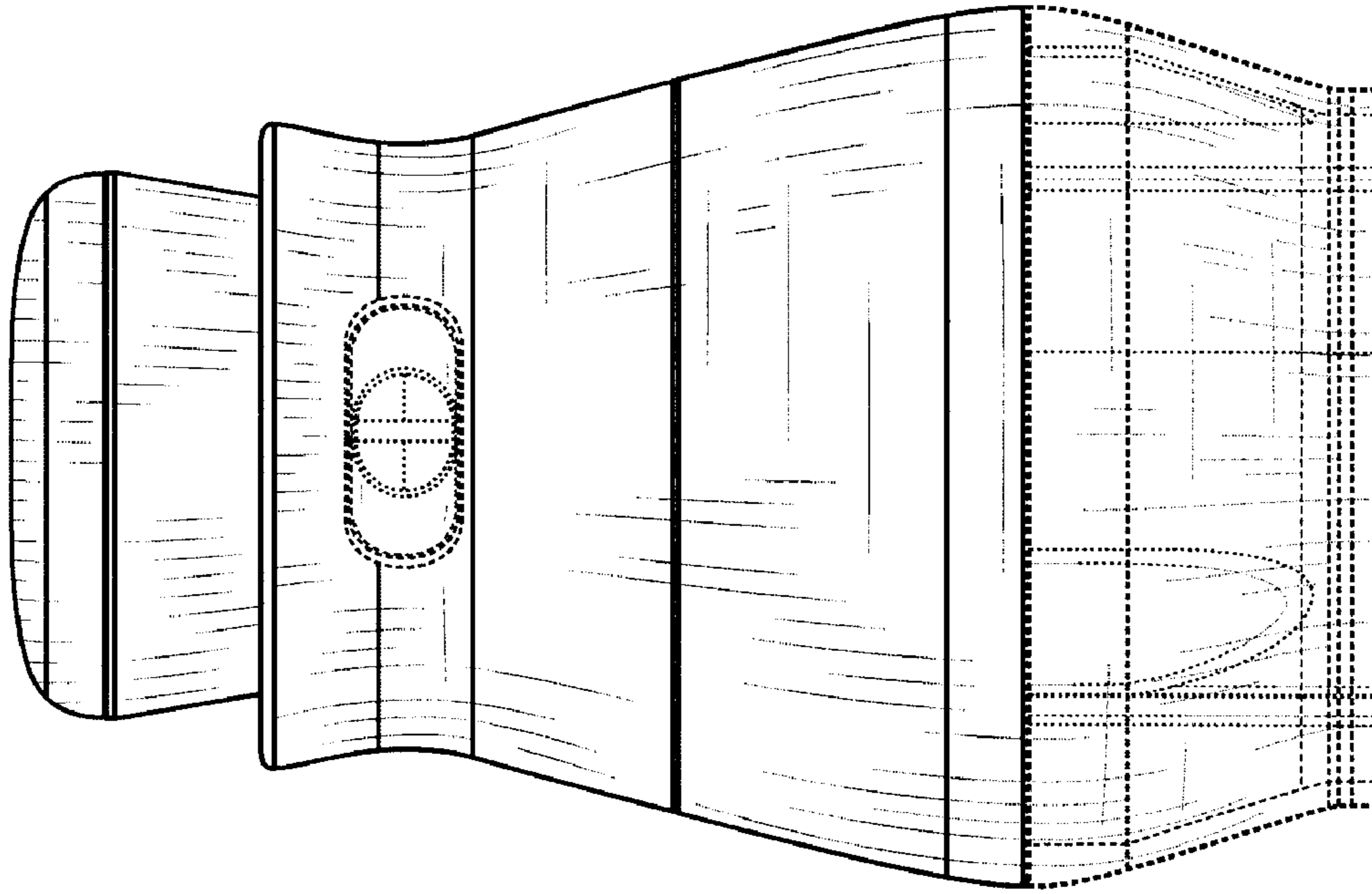


Fig. 4

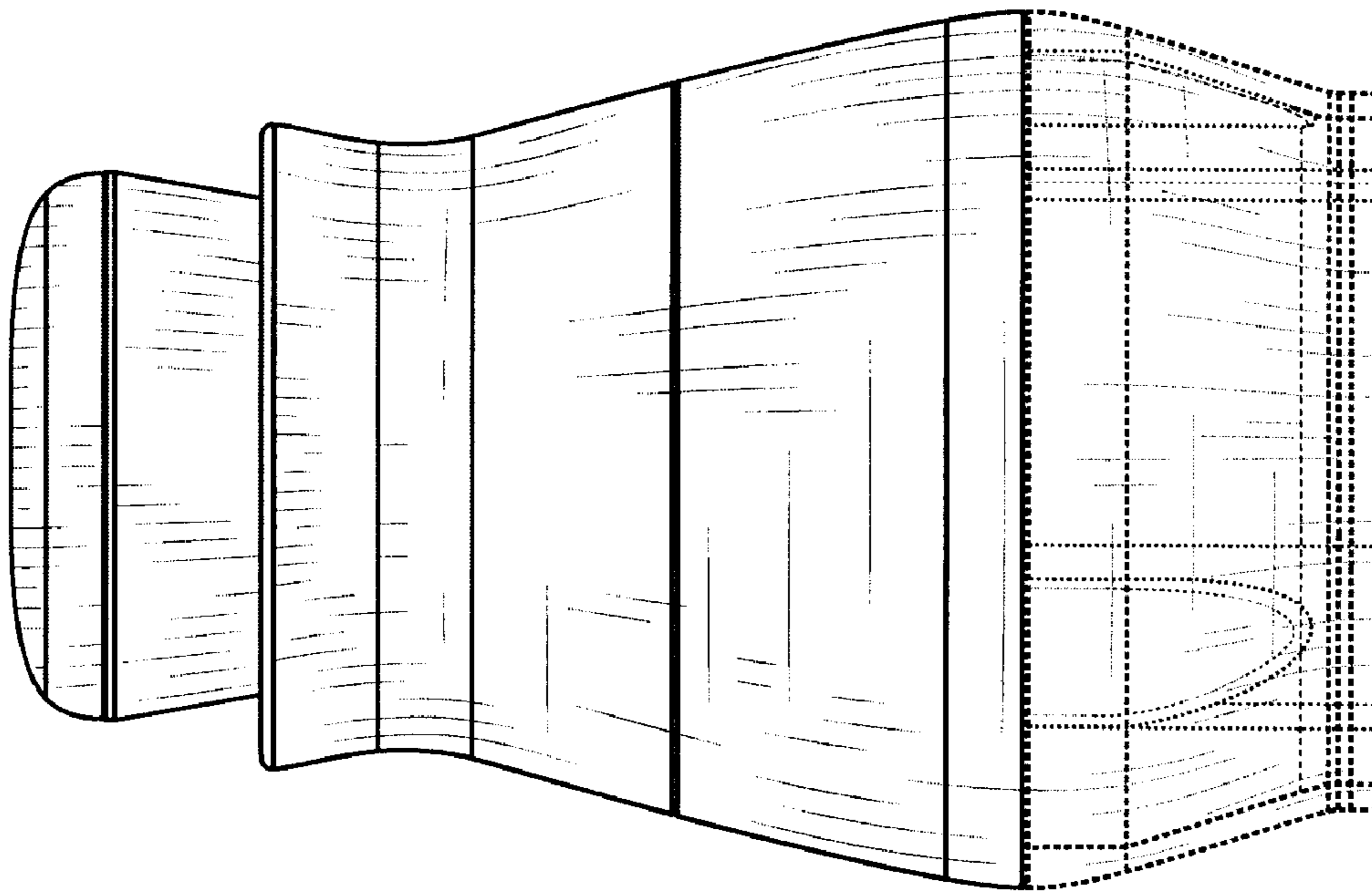


Fig. 5

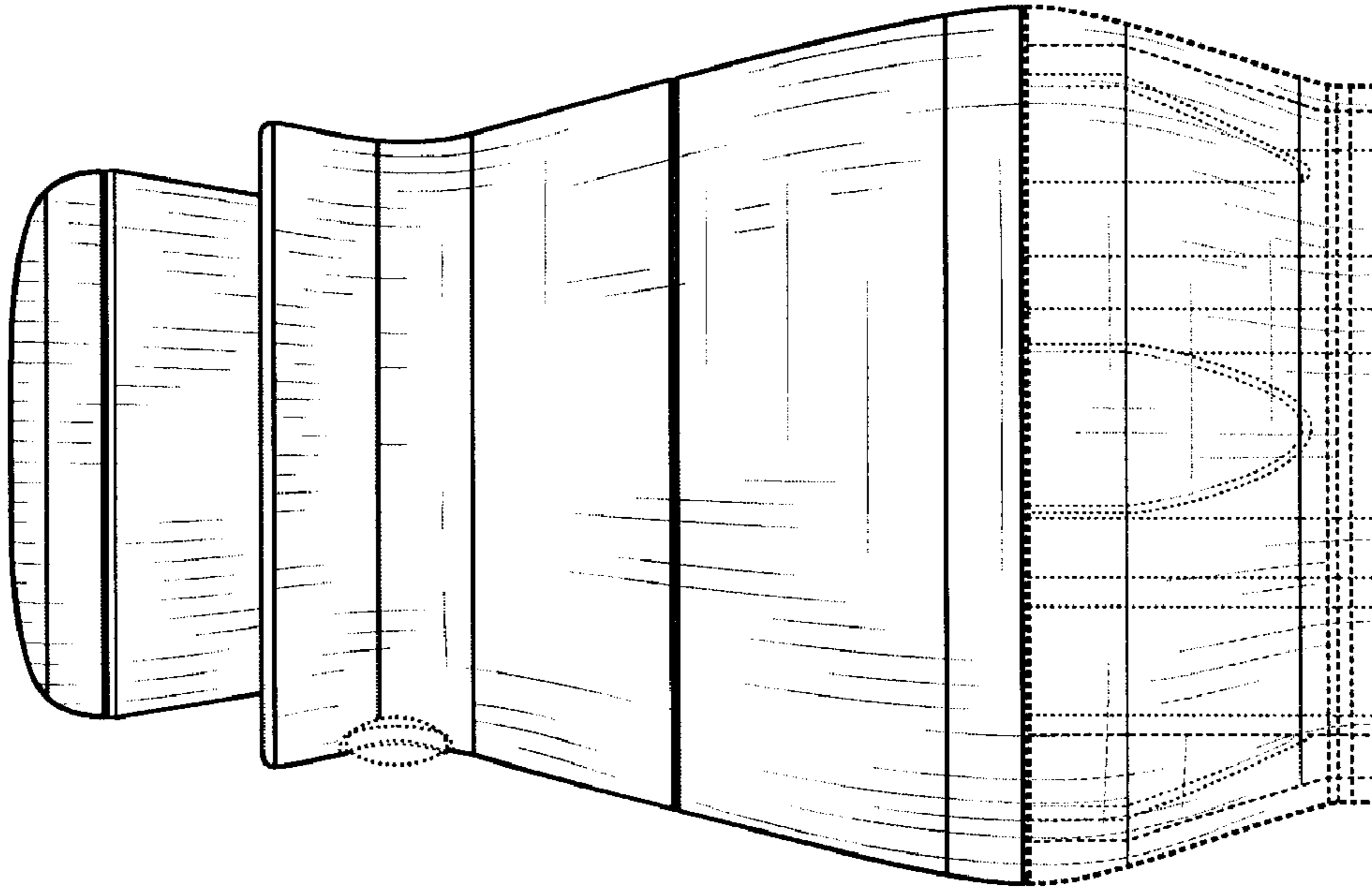


Fig. 6

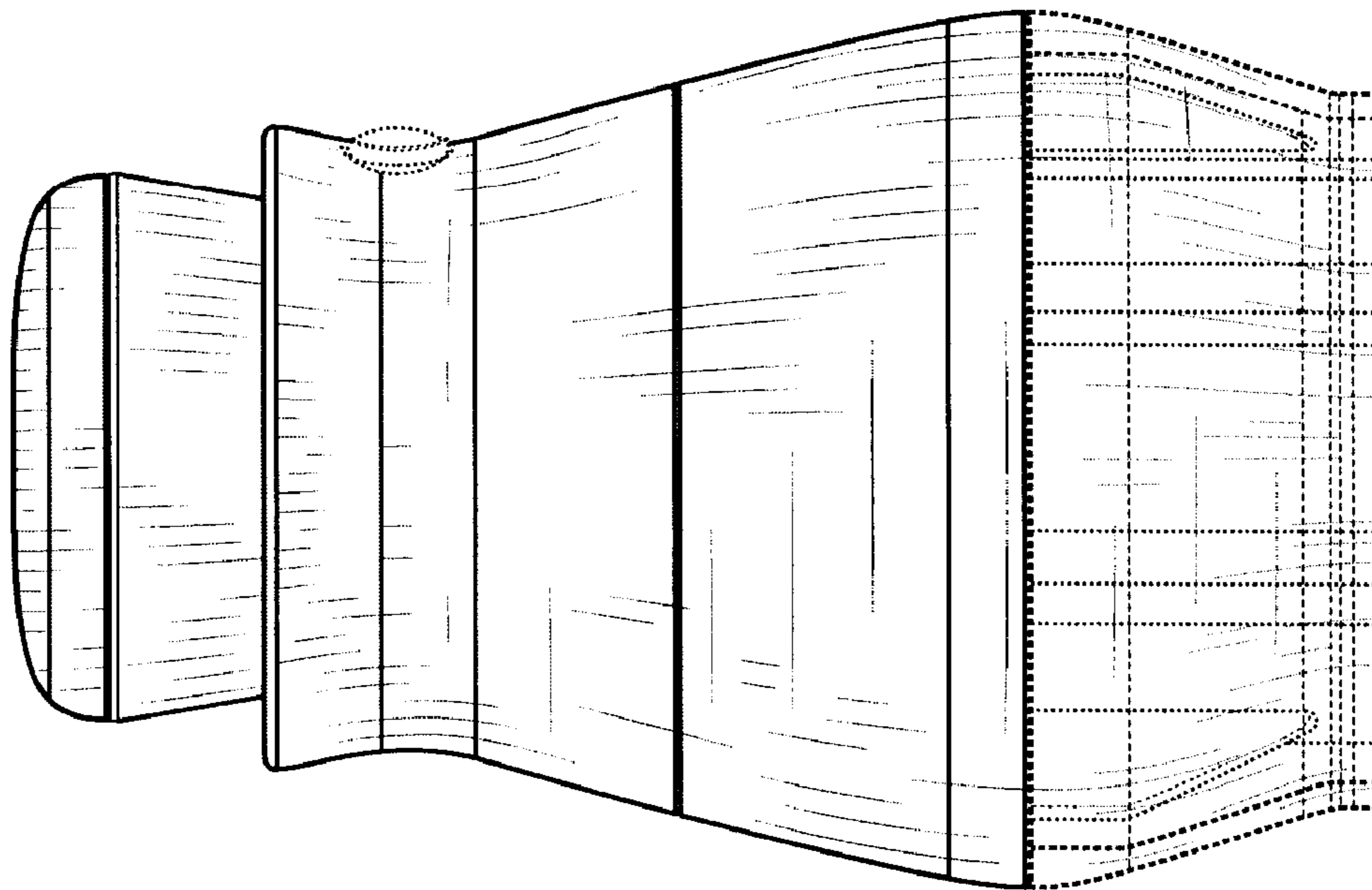


Fig. 7

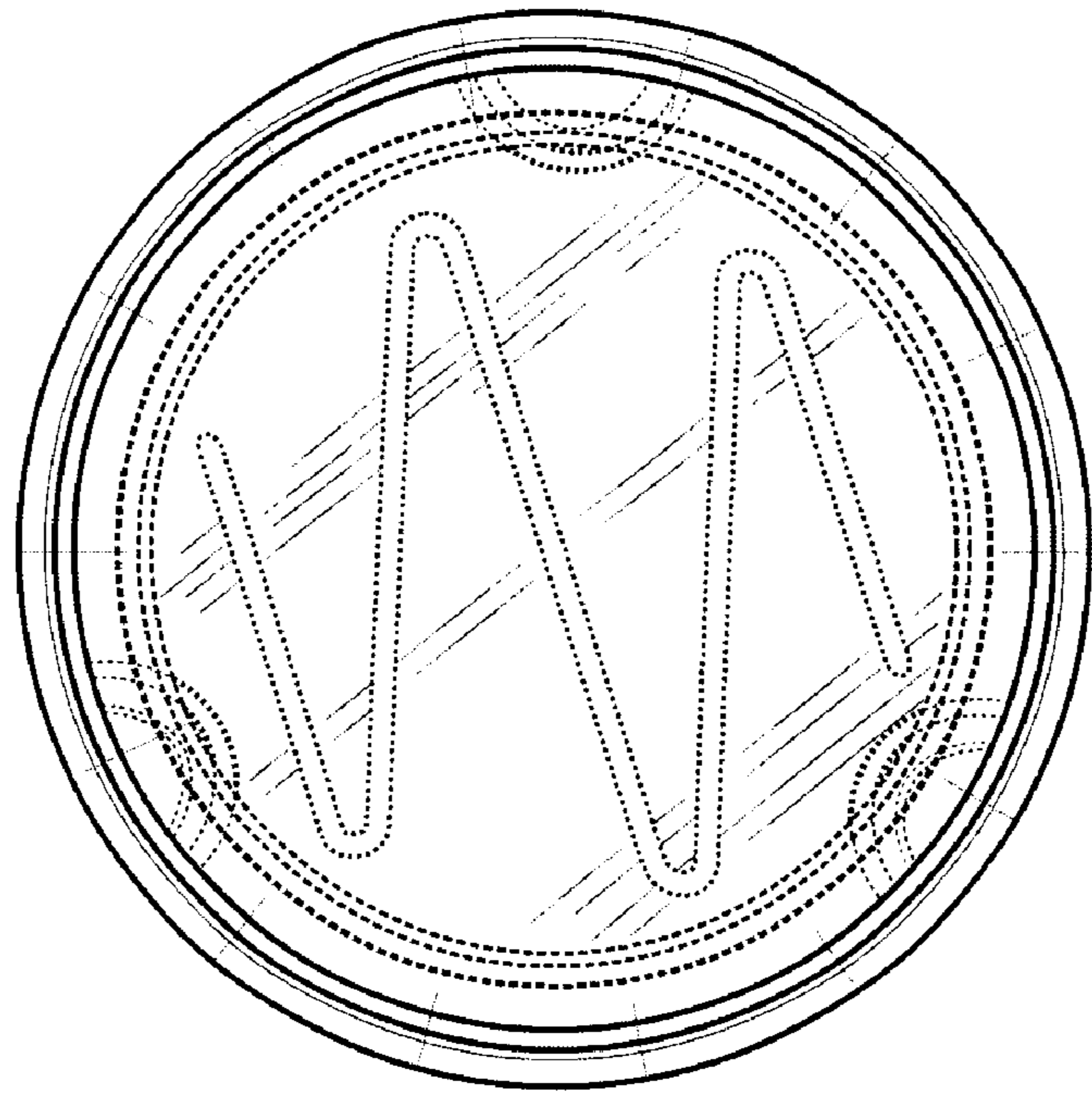


Fig. 8

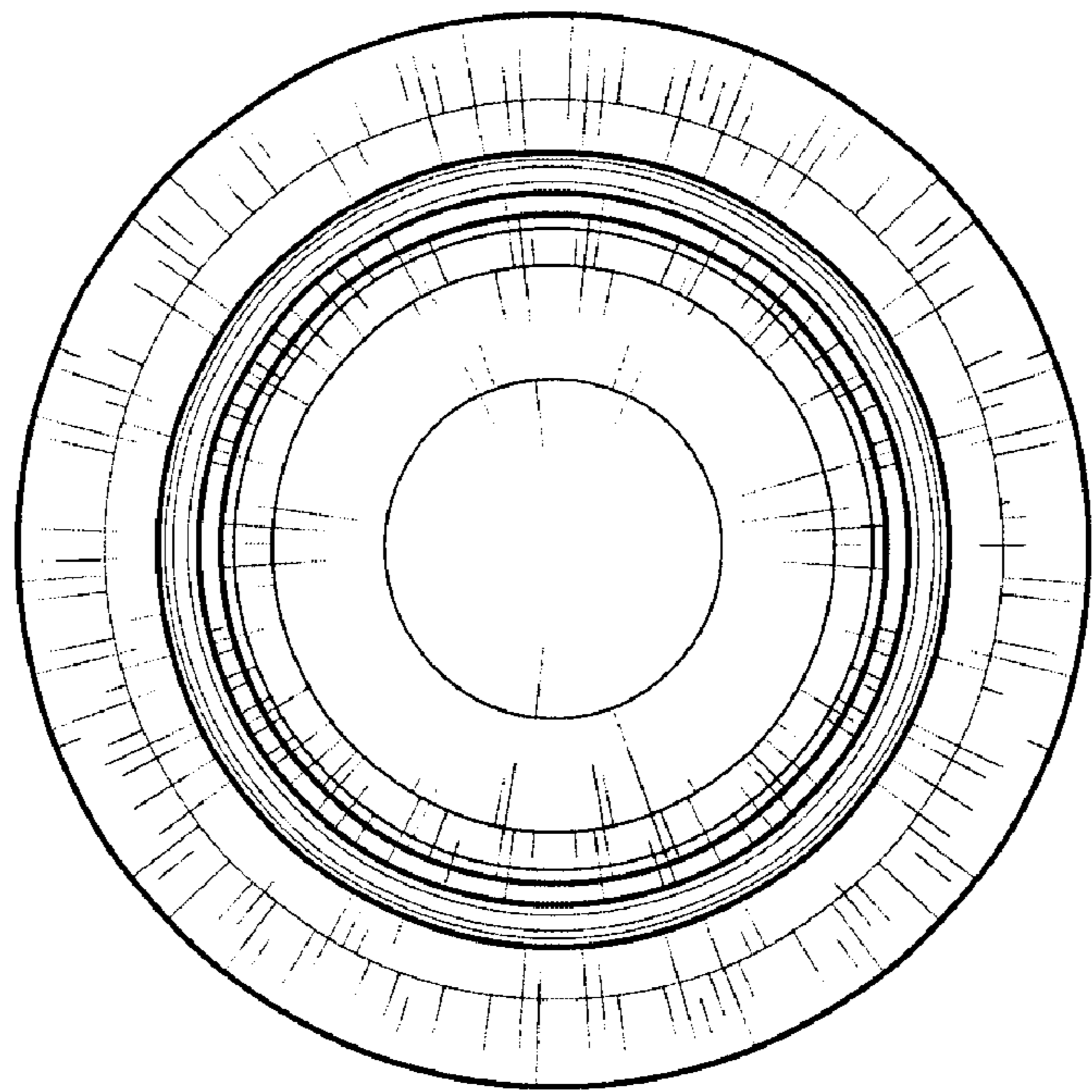


Fig. 9