



US00D518683S

(12) **United States Design Patent**
Schroeter et al.

(10) **Patent No.: US D518,683 S**
(45) **Date of Patent: ** Apr. 11, 2006**

(54) **BARBECUE CART DOOR**

(75) Inventors: **Wolfgang Schroeter**, Midhurst (CA);
Ingrid Schroeter, Midhurst (CA);
Steven Schwarz, Barrie (CA)

(73) Assignee: **Napolean Systems & Developments, Inc.**, Barrie (CA)

(**) Term: **14 Years**

(21) Appl. No.: **29/176,877**

(22) Filed: **Mar. 3, 2003**

(51) **LOC (8) Cl.** **07-02**

(52) **U.S. Cl.** **D7/402**

(58) **Field of Classification Search** D7/332-337,
D7/402-405, 347-348, 339-341; 126/25 R,
126/41 R, 19 R, 19 M, 273 R, 190, 198;
D6/492, 433; 99/419 R

See application file for complete search history.

(56) **References Cited**

U.S. PATENT DOCUMENTS

D299,856 S	*	2/1989	Mowrey	D23/347
D357,833 S	*	5/1995	Newhouse	D6/494
D373,272 S	*	9/1996	Saunders	D6/492
5,960,785 A	*	10/1999	Byrne et al.	126/200
D417,099 S	*	11/1999	Johnson, Jr.	D6/492
D437,312 S	*	2/2001	Gorman	D14/240
D472,689 S	*	4/2003	Benn	D34/27

OTHER PUBLICATIONS

Napolean Gourmet Gas Grill, eight (8) pages, date unknown but prior to filing date (see cover letter).

Copy of one page Sears brochure published in 2002. Style at Home, p. 23, Sep. 2002.

One page brochure of Concordia Furniture, date unknown but prior to filing date.

Design Details, p. 121, Oct. 2002.

* cited by examiner

Primary Examiner—Ruth McInroy

(74) *Attorney, Agent, or Firm*—Merek, Blackmon & Voorhees, LLC

(57) **CLAIM**

The ornamental design for a barbecue cart door, shown as shown and described.

DESCRIPTION

FIG. 1 is an upper front perspective view of a barbecue cart door showing our new design;

FIG. 2 is an upper front perspective view thereof;

FIG. 3 is a top plan view thereof;

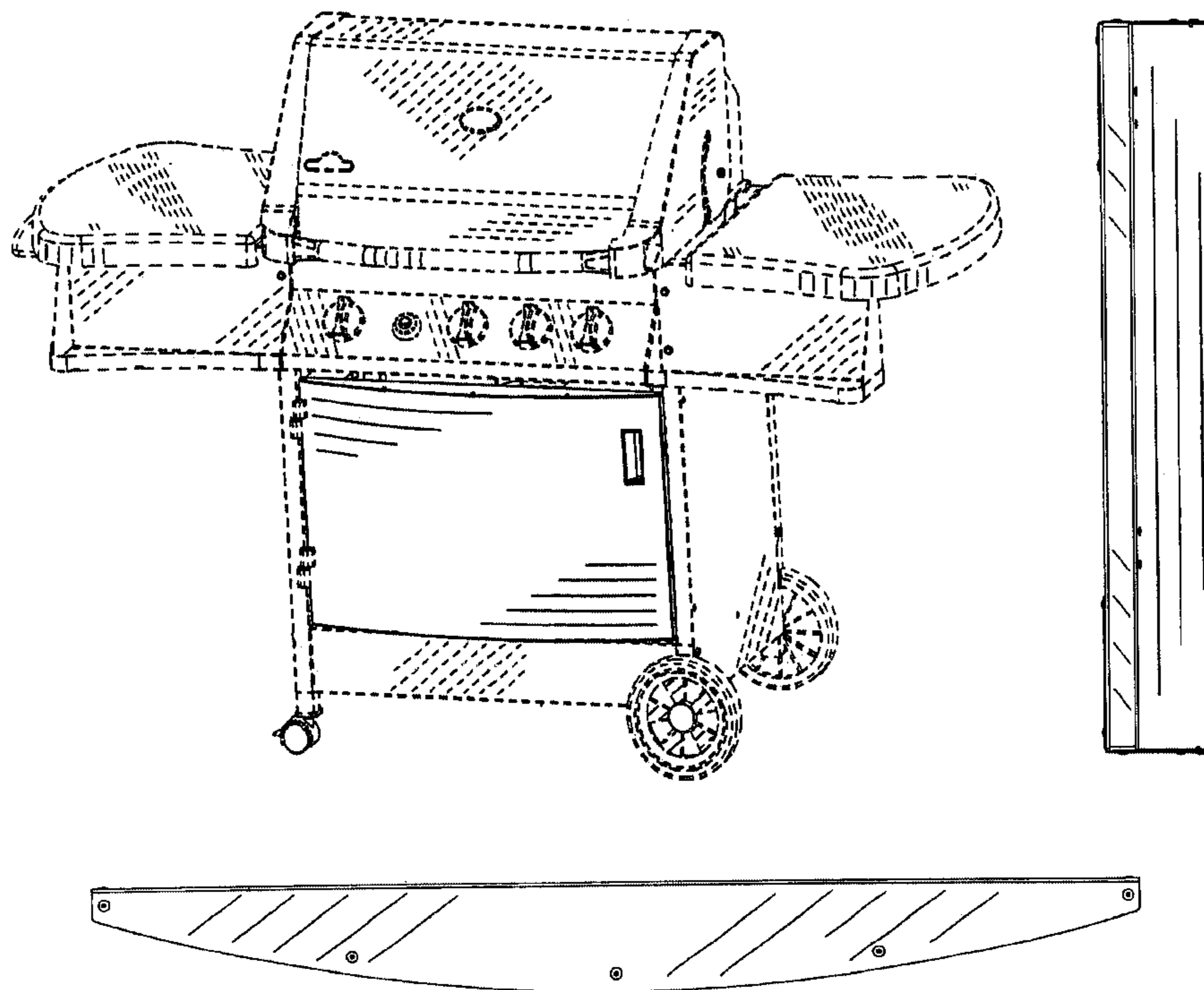
FIG. 4 is a rear view thereof;

FIG. 5 is a right end view thereof; and,

FIG. 6 is a left end view thereof.

The broken lines shown in FIG. 1 are for illustrative purposes only and form no part of the claimed design.

1 Claim, 6 Drawing Sheets



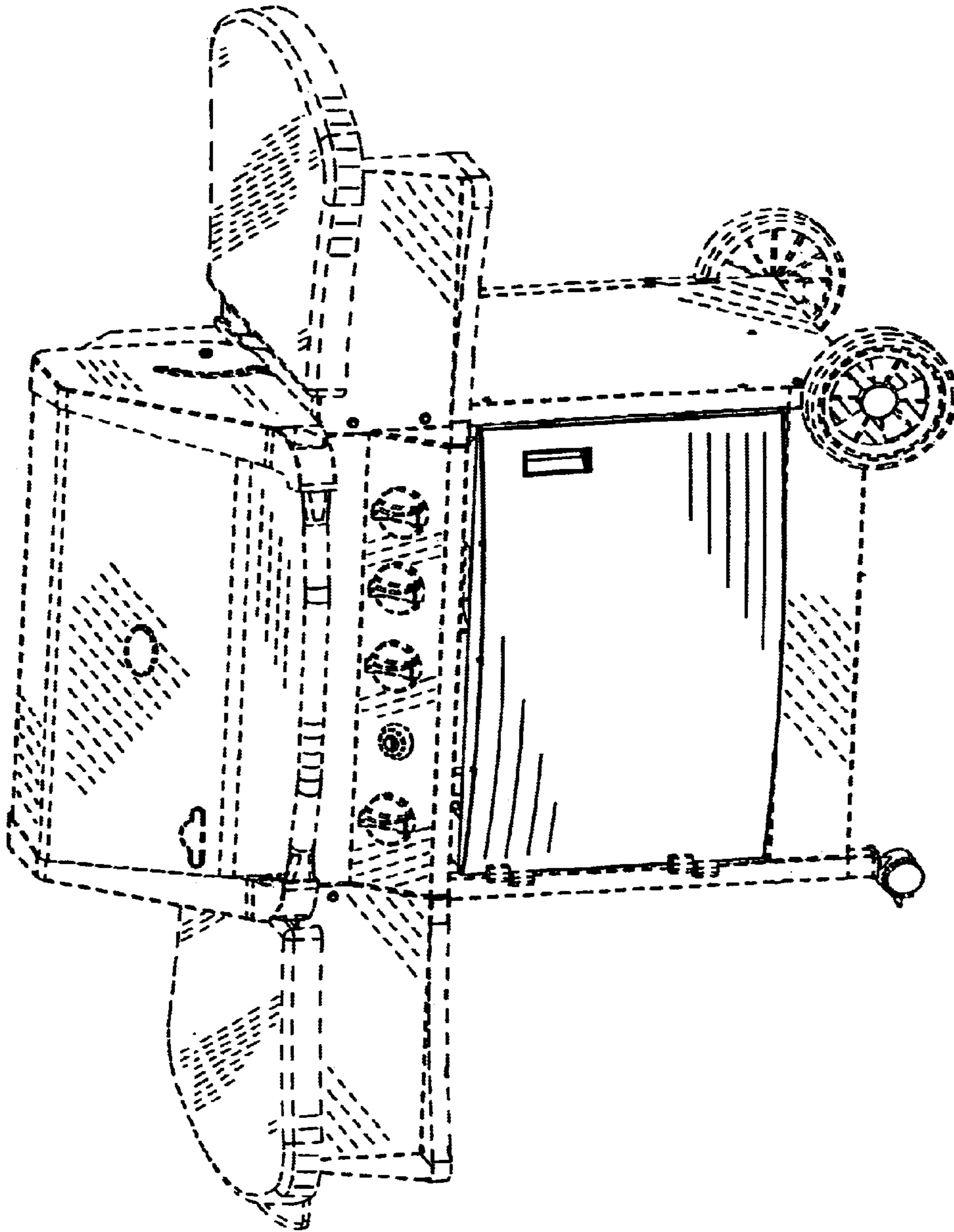


FIGURE 1

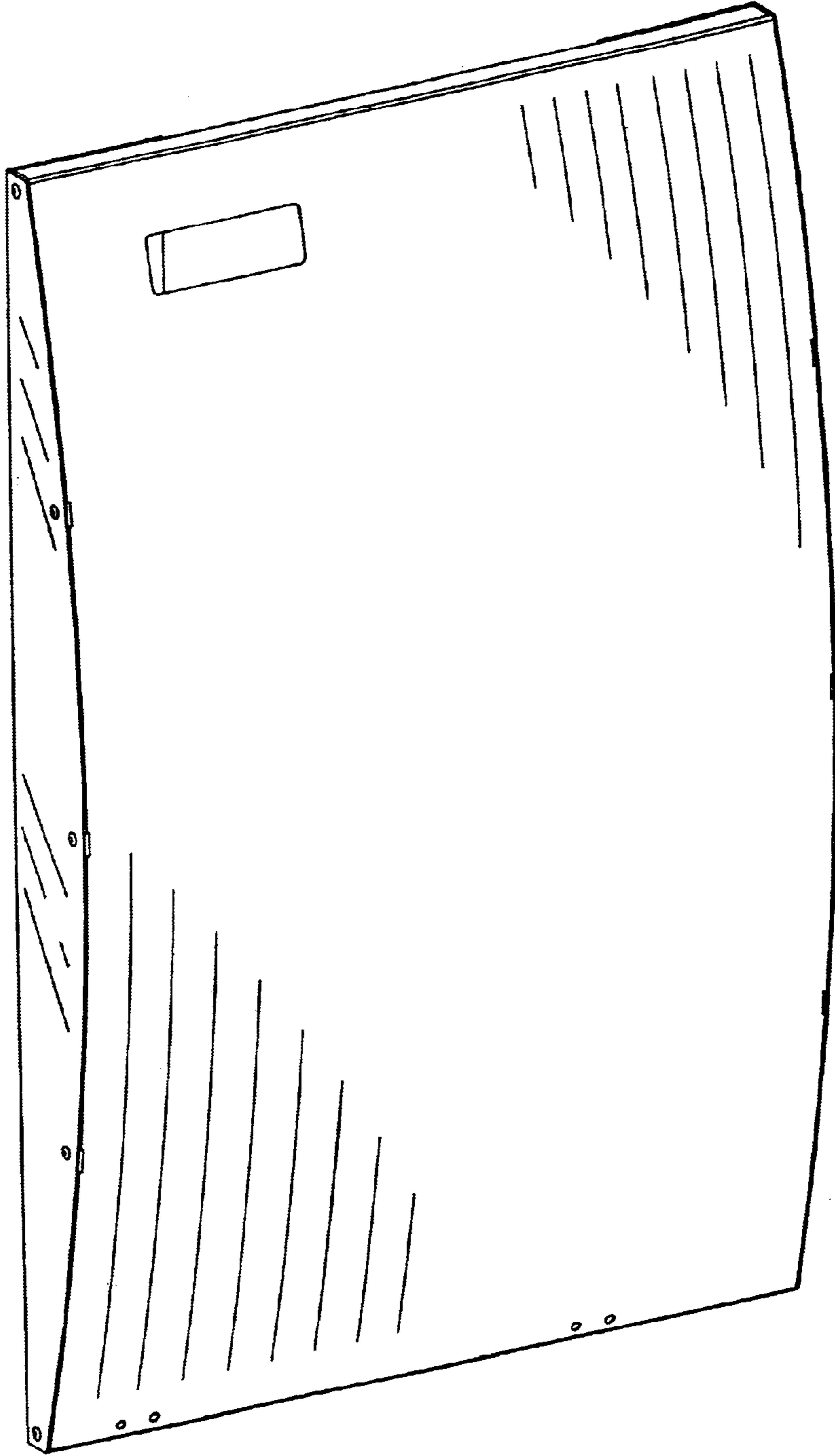


FIGURE 2

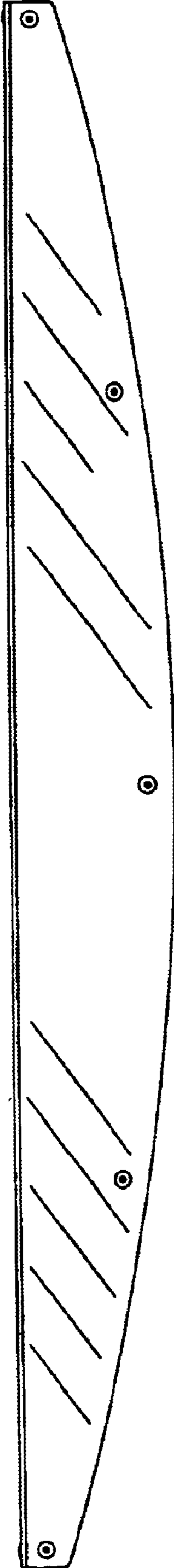


FIGURE 3

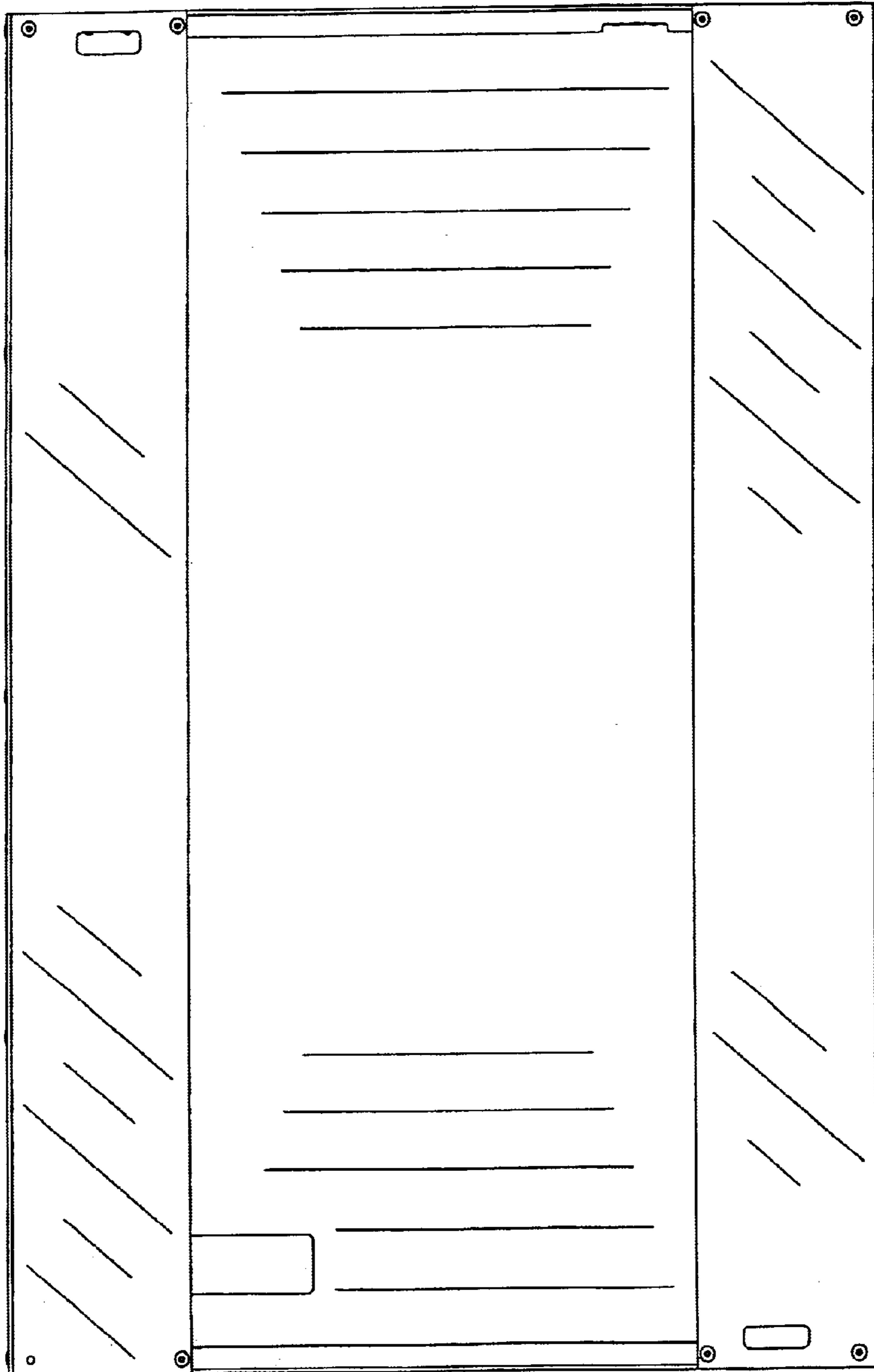


FIGURE 4

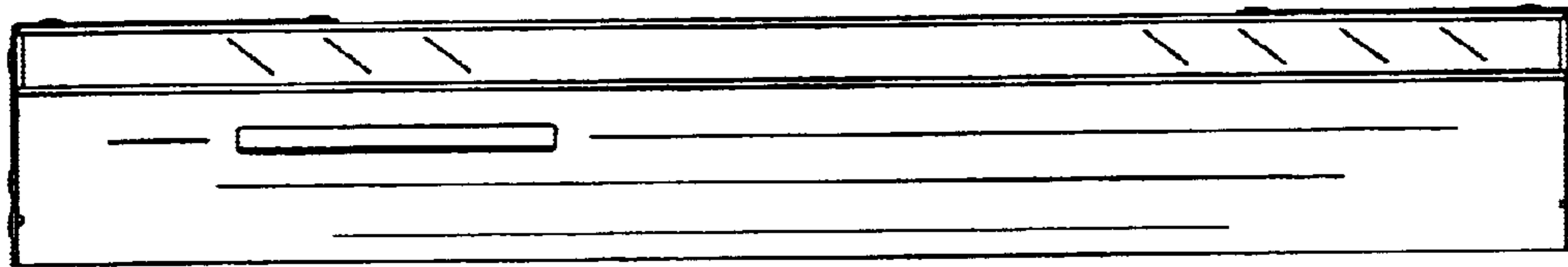


FIGURE 5

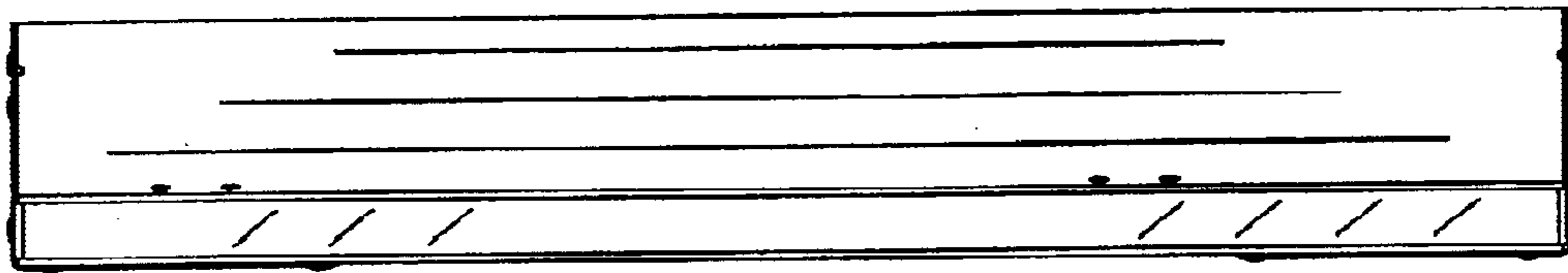


FIGURE 6