



US00D518681S

(12) **United States Design Patent**
Shin

(10) **Patent No.:** **US D518,681 S**

(45) **Date of Patent:** **** Apr. 11, 2006**

(54) **MICROWAVE OVEN**

(75) Inventor: **Dae Kee Shin**, Seoul (KR)

(73) Assignee: **LG Electronics Inc.**, Seoul (KR)

(**) Term: **14 Years**

(21) Appl. No.: **29/213,746**

(22) Filed: **Sep. 23, 2004**

(30) **Foreign Application Priority Data**

Mar. 23, 2004 (KR) 30-2004-0008282

(51) **LOC (8) Cl.** **07-02**

(52) **U.S. Cl.** **D7/351**

(58) **Field of Classification Search** D7/350.1,
D7/350.3, 350.4, 351, 402, 405; 219/756-758,
219/378, 19 M, 275 E

See application file for complete search history.

(56) **References Cited**

U.S. PATENT DOCUMENTS

- D309,691 S * 8/1990 Yamagami et al. D7/351
- D310,151 S * 8/1990 Kubo et al. D7/351
- D318,774 S * 8/1991 Kubo et al. D7/351
- D366,591 S * 1/1996 Kim D7/351
- D385,154 S * 10/1997 Weiss et al. D7/405

- D385,155 S * 10/1997 Weiss et al. D7/405
- D442,820 S * 5/2001 Kim D7/351
- D454,029 S * 3/2002 Noda et al. D7/351
- D455,932 S * 4/2002 Noda et al. D7/351
- D476,521 S * 7/2003 Fukuda et al. D7/351
- D478,465 S * 8/2003 Kanza D7/351
- 2004/0178195 A1 * 9/2004 Kim et al. 219/756

* cited by examiner

Primary Examiner—Ruth McInroy

(74) *Attorney, Agent, or Firm*—Birch, Stewart, Kolasch & Birch, LLP

(57) **CLAIM**

The ornamental design for a microwave oven, as shown and described.

DESCRIPTION

FIG. 1 is a perspective view of a microwave oven showing my new design;

FIG. 2 is a front view thereof;

FIG. 3 is a rear view thereof;

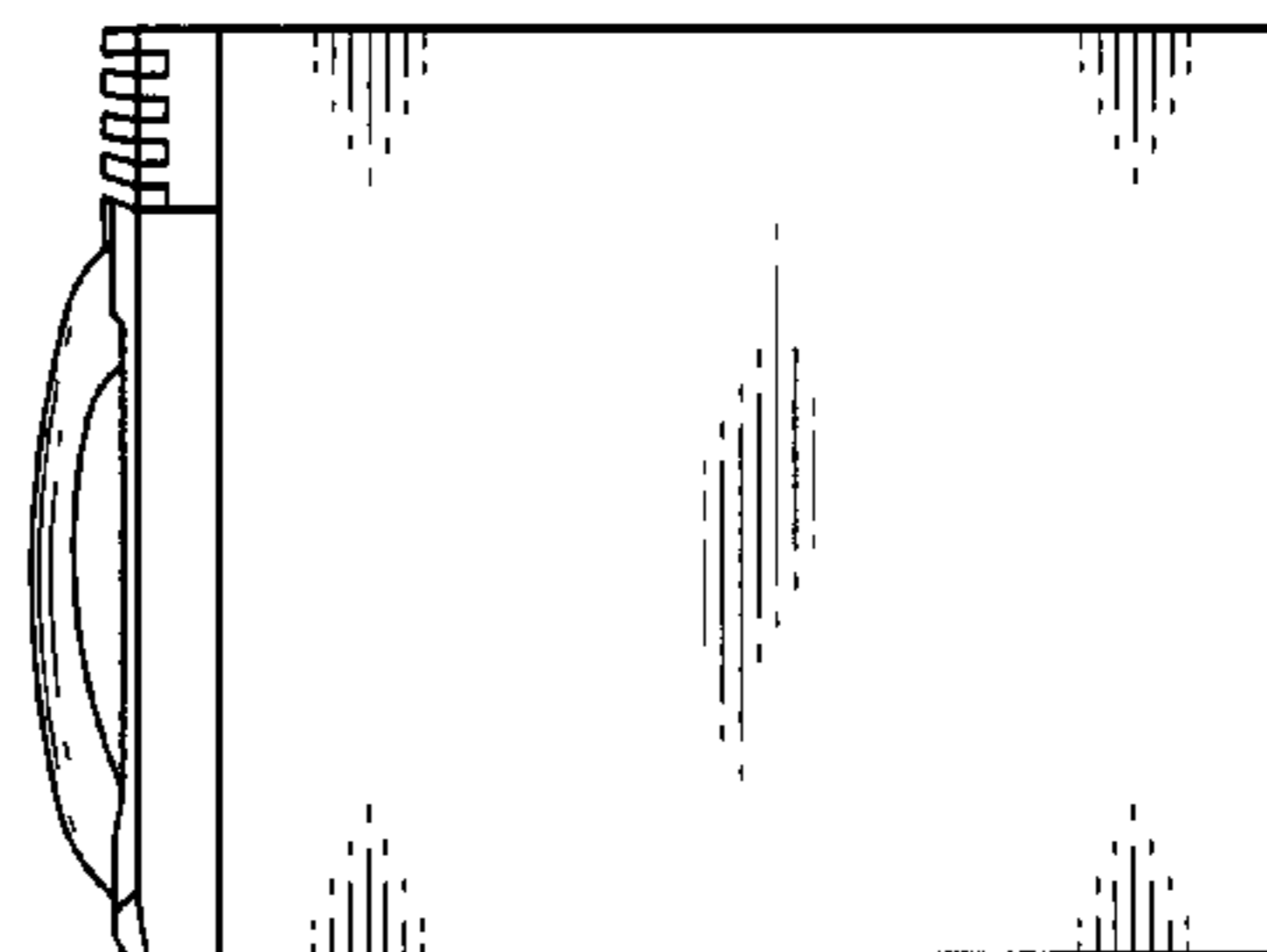
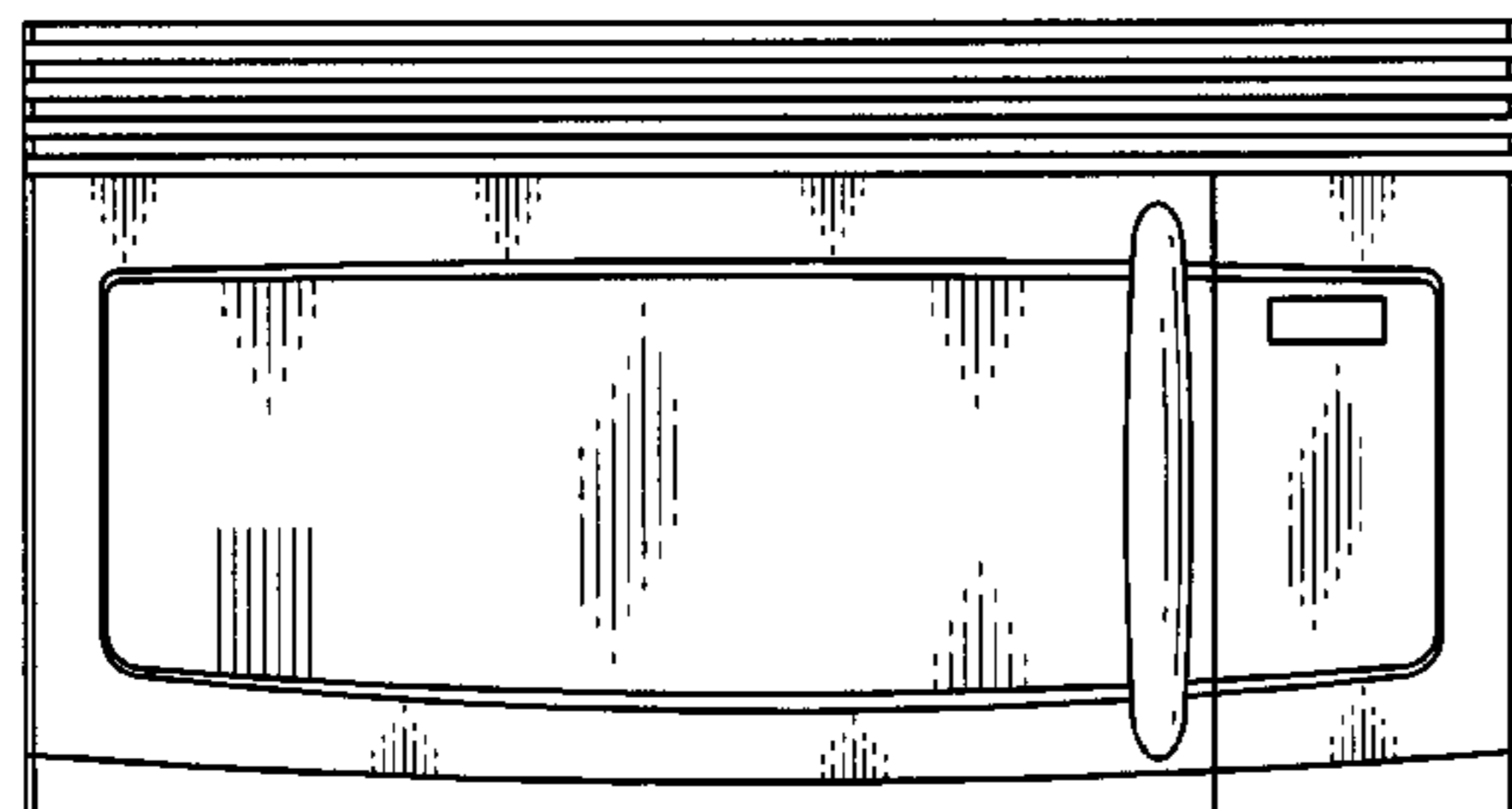
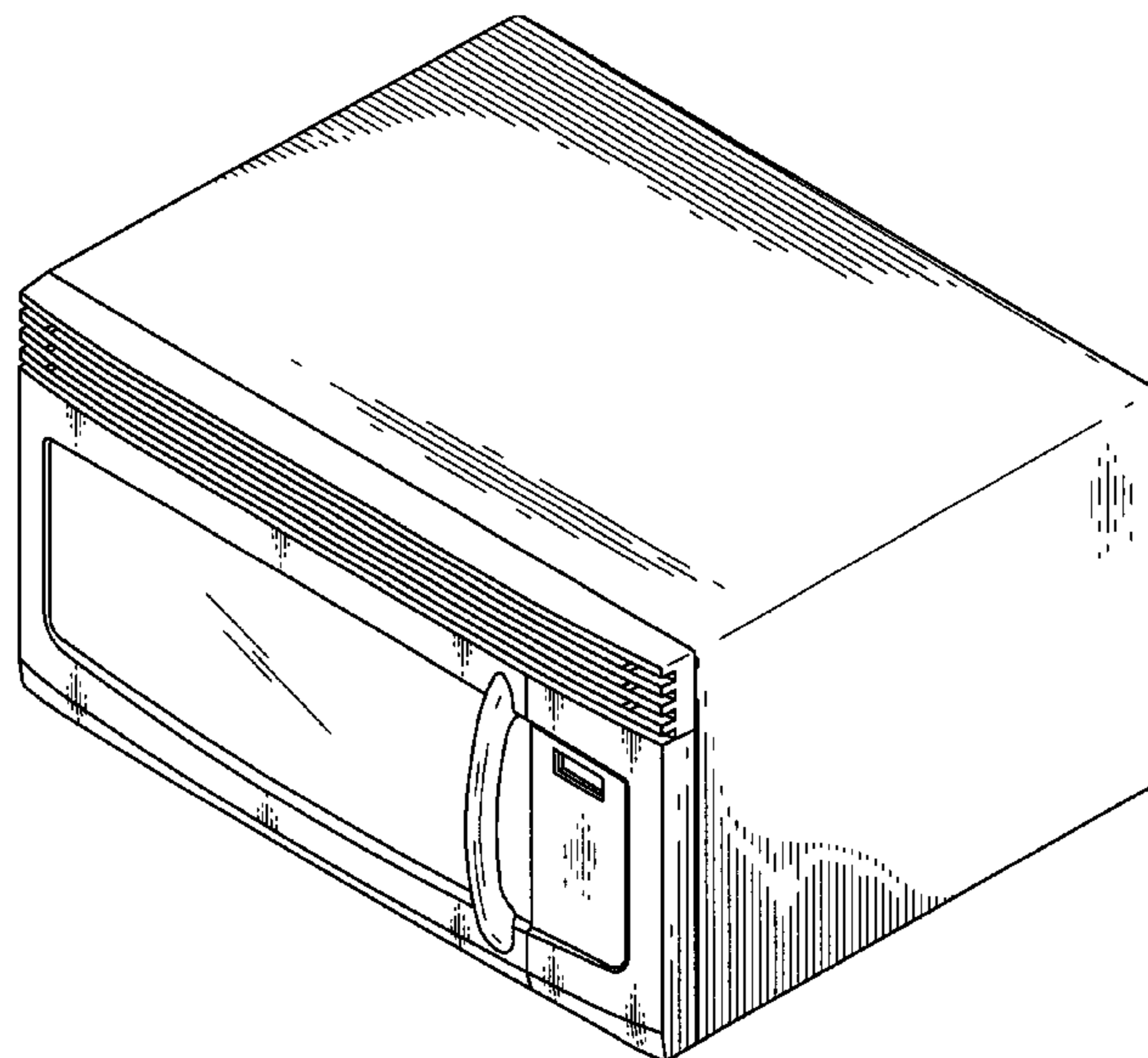
FIG. 4 is a left-side view thereof;

FIG. 5 is a right-side view thereof;

FIG. 6 is a top view thereof; and,

FIG. 7 is a bottom view thereof.

1 Claim, 4 Drawing Sheets



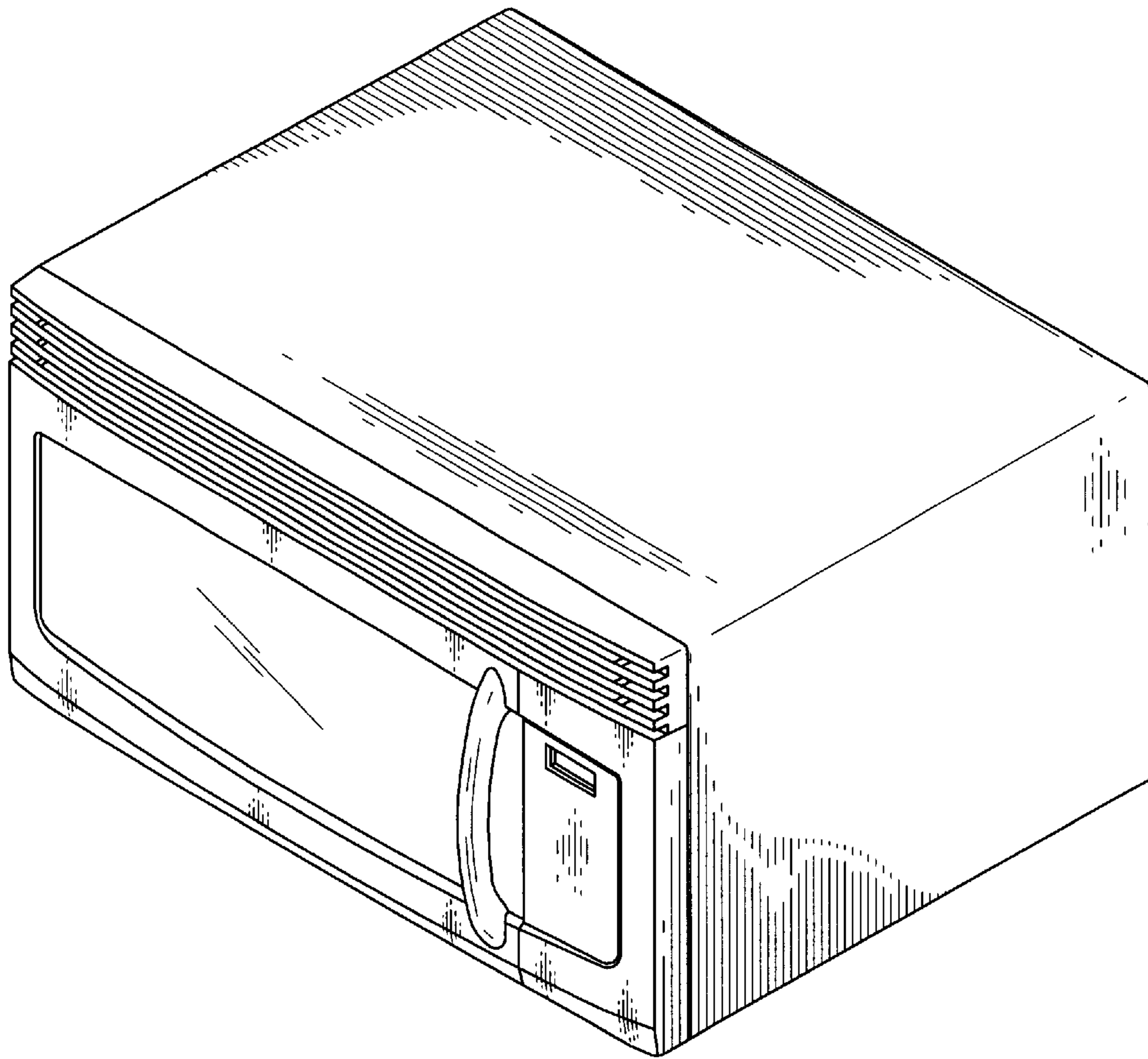


FIG.1

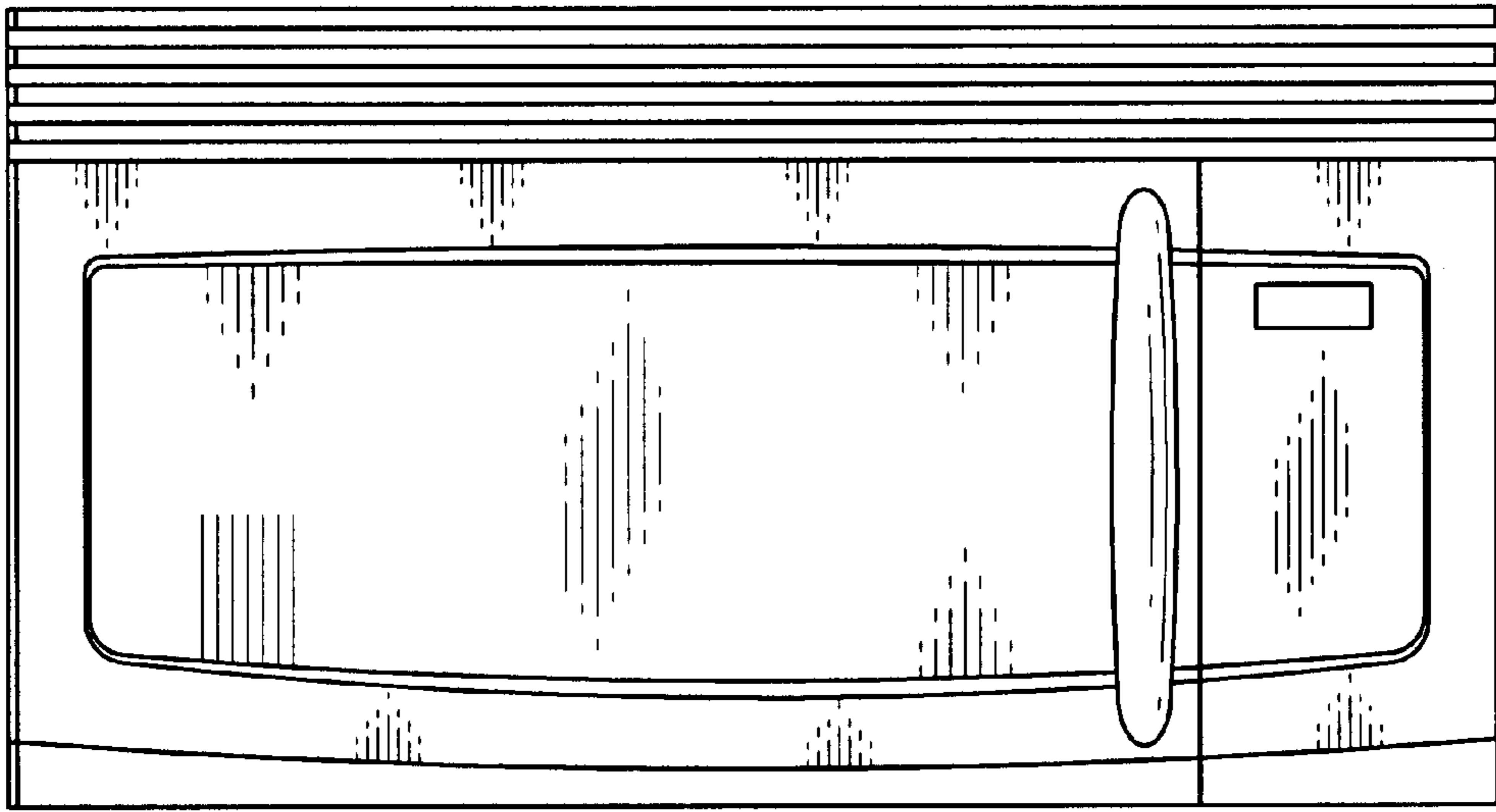


FIG. 2

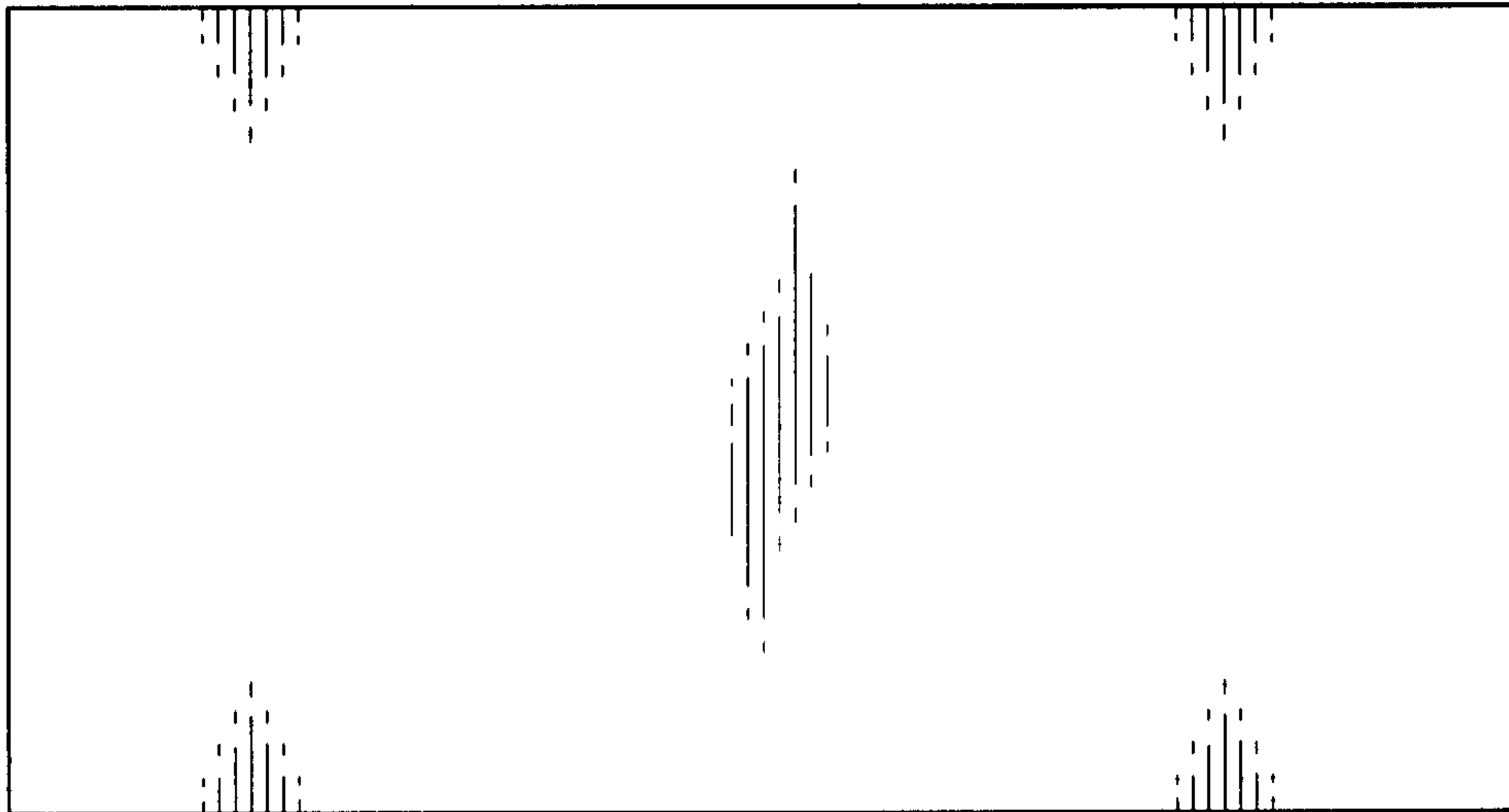


FIG. 3

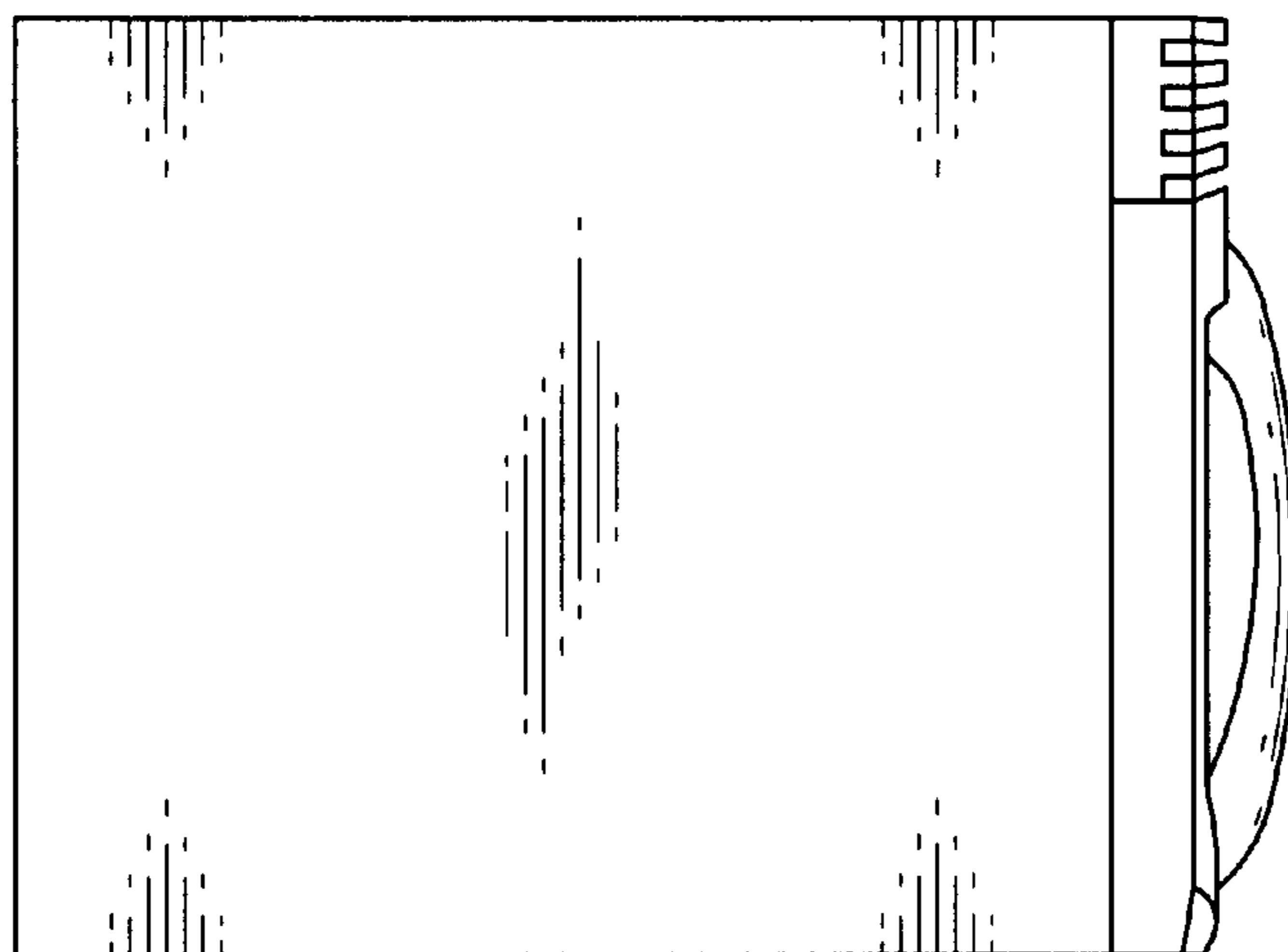


FIG. 4

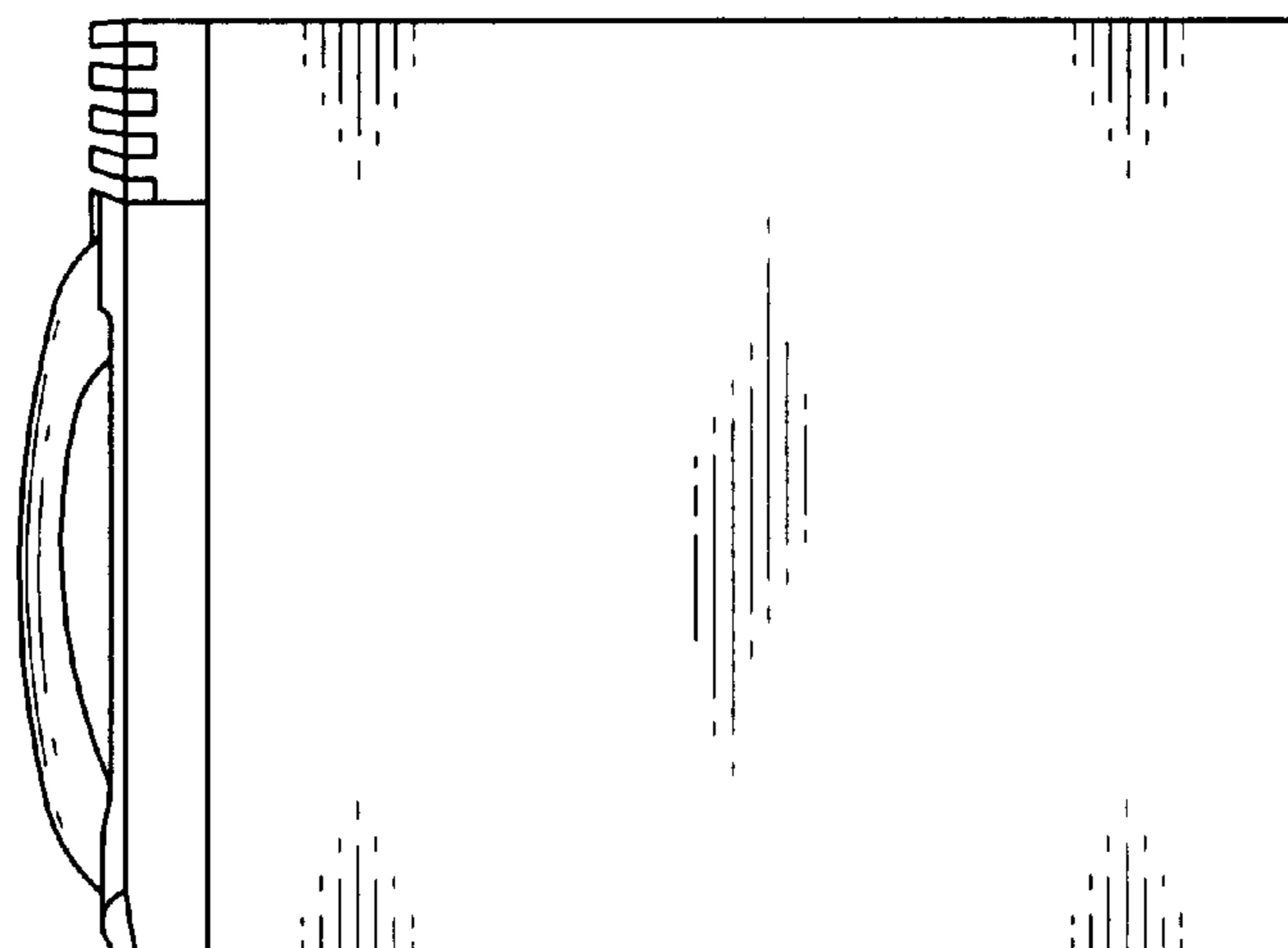


FIG. 5

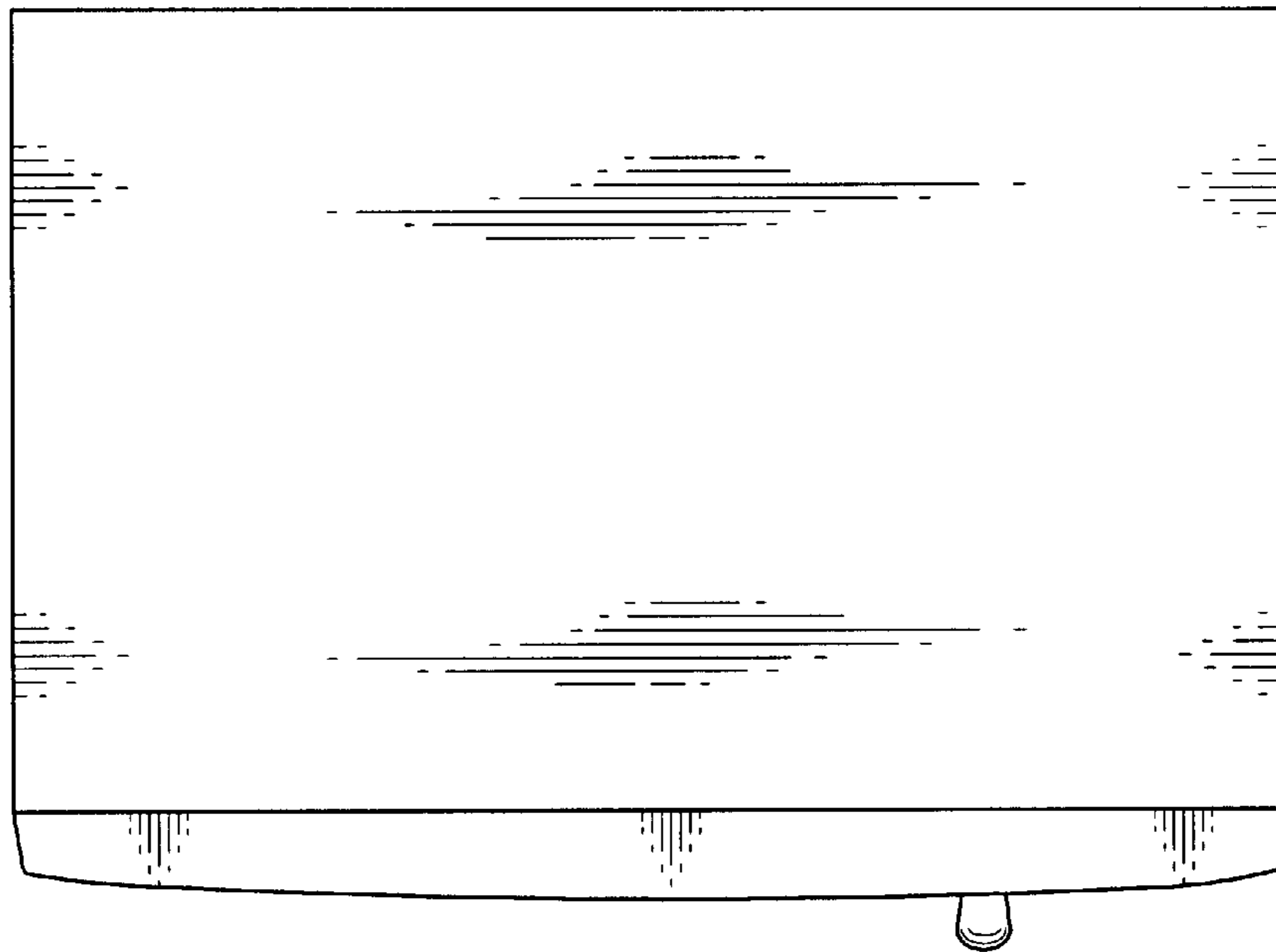


FIG. 6

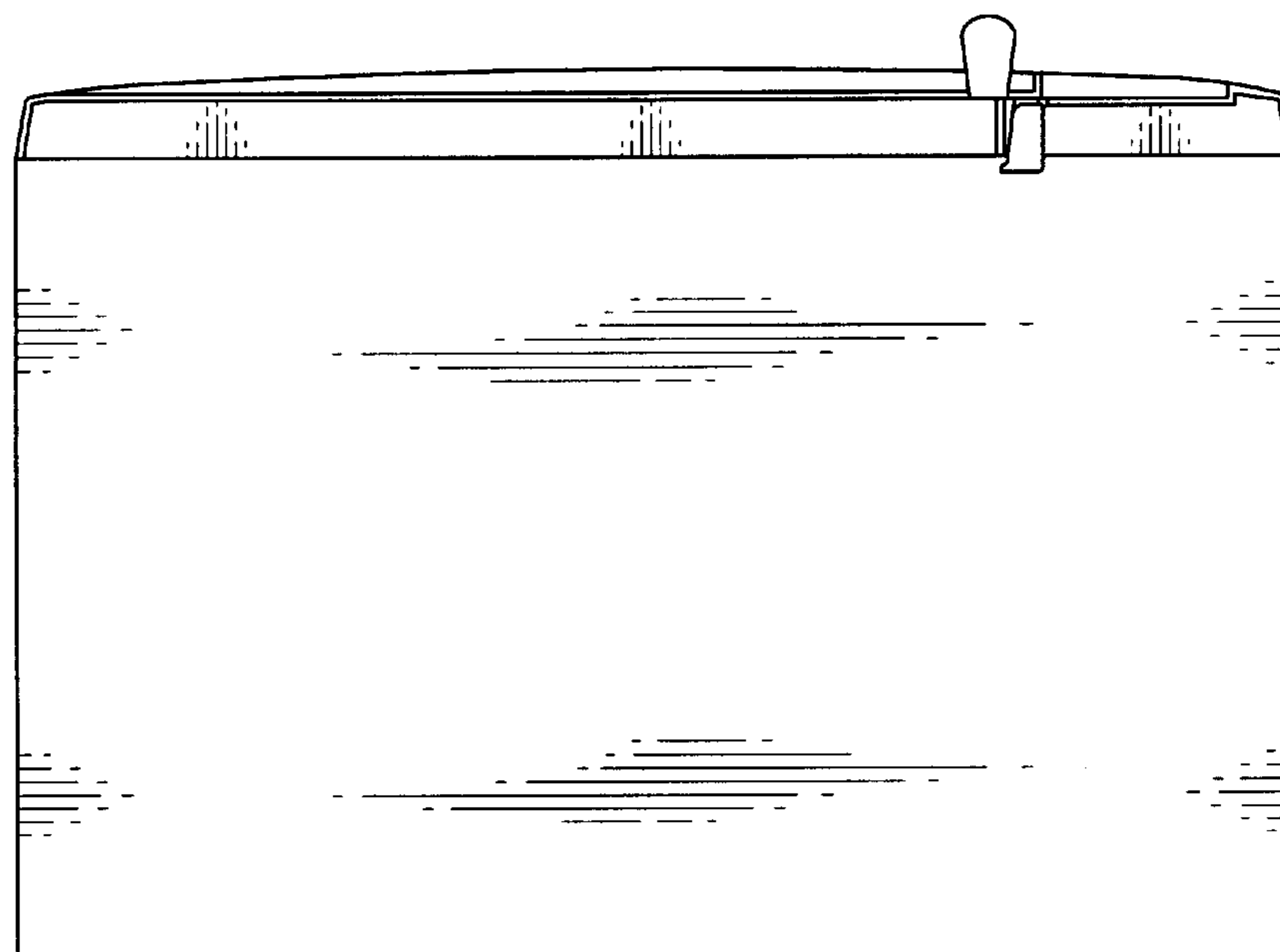


FIG. 7