



US00D518680S

(12) **United States Design Patent**
Kim

(10) **Patent No.:** **US D518,680 S**

(45) **Date of Patent:** **** Apr. 11, 2006**

(54) **MICROWAVE OVEN**

(75) Inventor: **Jae Hoon Kim**, Seoul (KR)

(73) Assignee: **LG Electronics Inc.**, Seoul (KR)

(**) Term: **14 Years**

(21) Appl. No.: **29/211,146**

(22) Filed: **Aug. 12, 2004**

(30) **Foreign Application Priority Data**

Feb. 12, 2004 (KR) 30-2004-0003713

(51) **LOC (8) Cl.** **07-02**

(52) **U.S. Cl.** **D7/351**

(58) **Field of Classification Search** D7/350.1,
D7/350.3, 350.4, 351, 402, 405; 219/756-758,
219/378, 19 M, 275 E

See application file for complete search history.

(56) **References Cited**

U.S. PATENT DOCUMENTS

D442,008 S * 5/2001 Noda et al. D7/351

D442,424 S * 5/2001 Naganuma D7/351

D442,820 S * 5/2001 Kim D7/351

D455,932 S * 4/2002 Noda et al. D7/351

D468,578 S * 1/2003 Fukuda et al. D7/351

D476,521 S * 7/2003 Fukuda et al. D7/351

D478,465 S * 8/2003 Kanza D7/351

* cited by examiner

Primary Examiner—Ruth McInroy

(74) *Attorney, Agent, or Firm*—Birch, Stewart, Kolasch & Birch, LLP

(57) **CLAIM**

The ornamental design for a microwave oven, as shown.

DESCRIPTION

FIG. 1 is a front, left perspective view of a microwave oven showing my new design;

FIG. 2 is a front elevational view thereof;

FIG. 3 is a rear elevational view thereof;

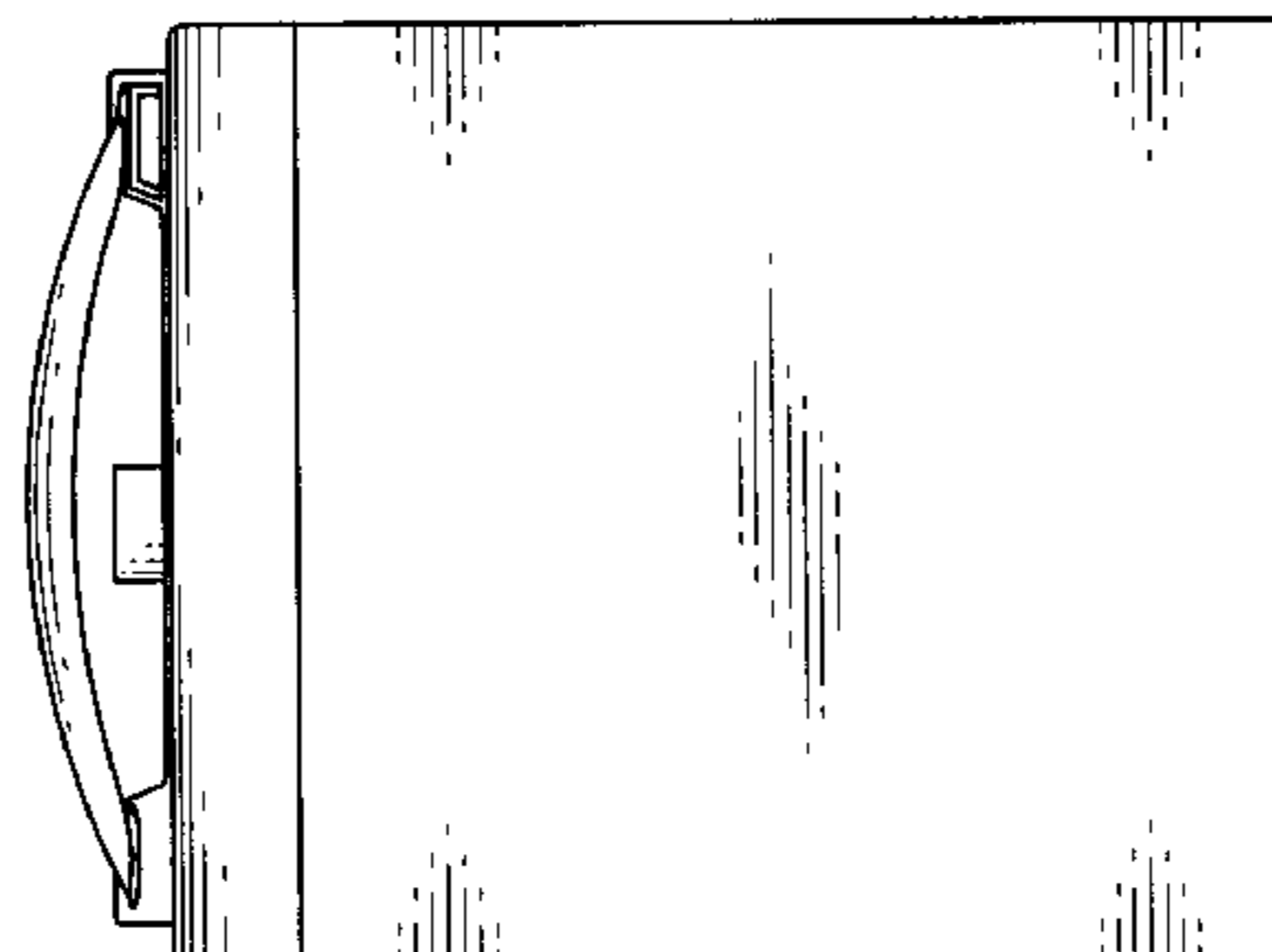
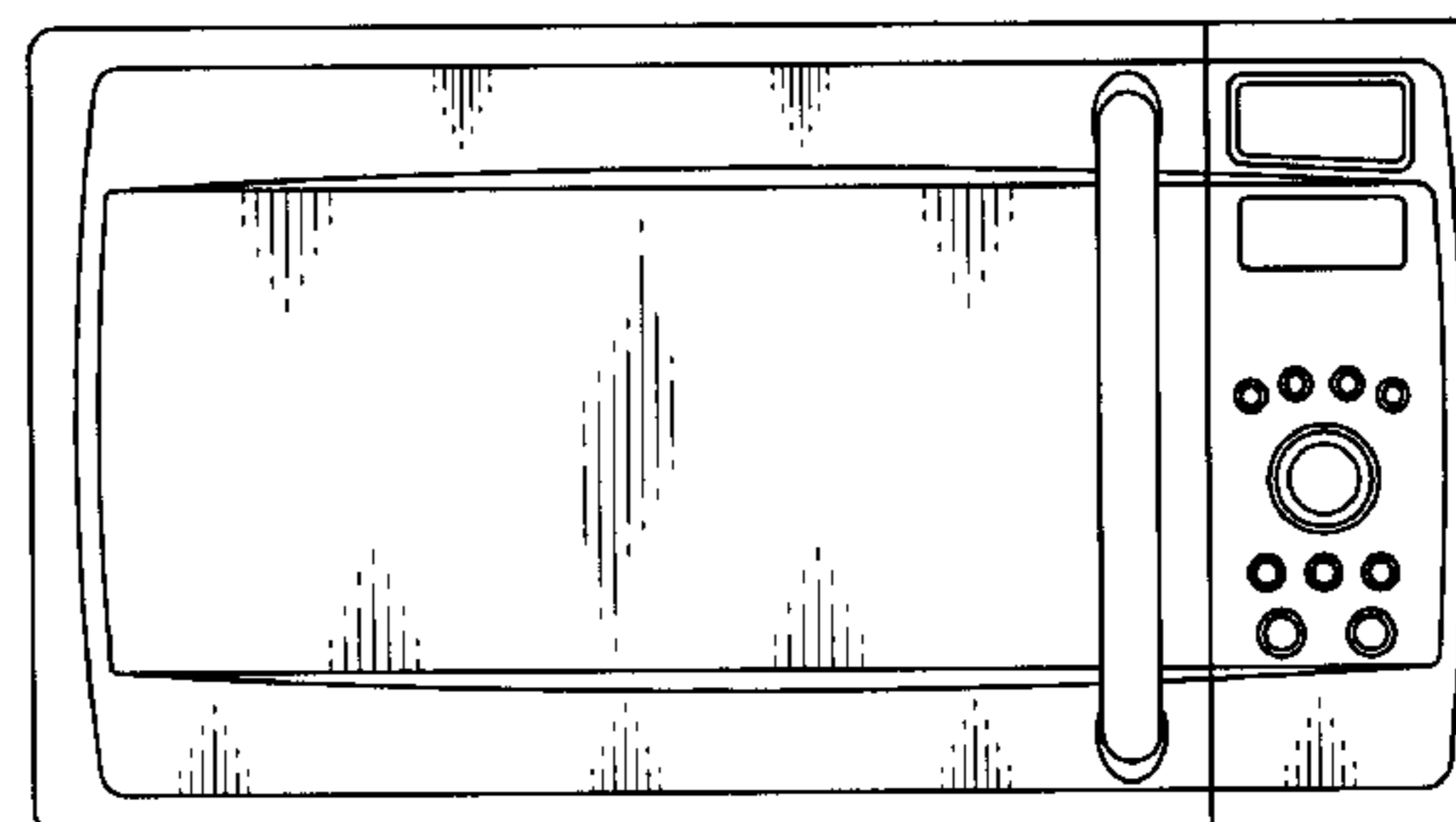
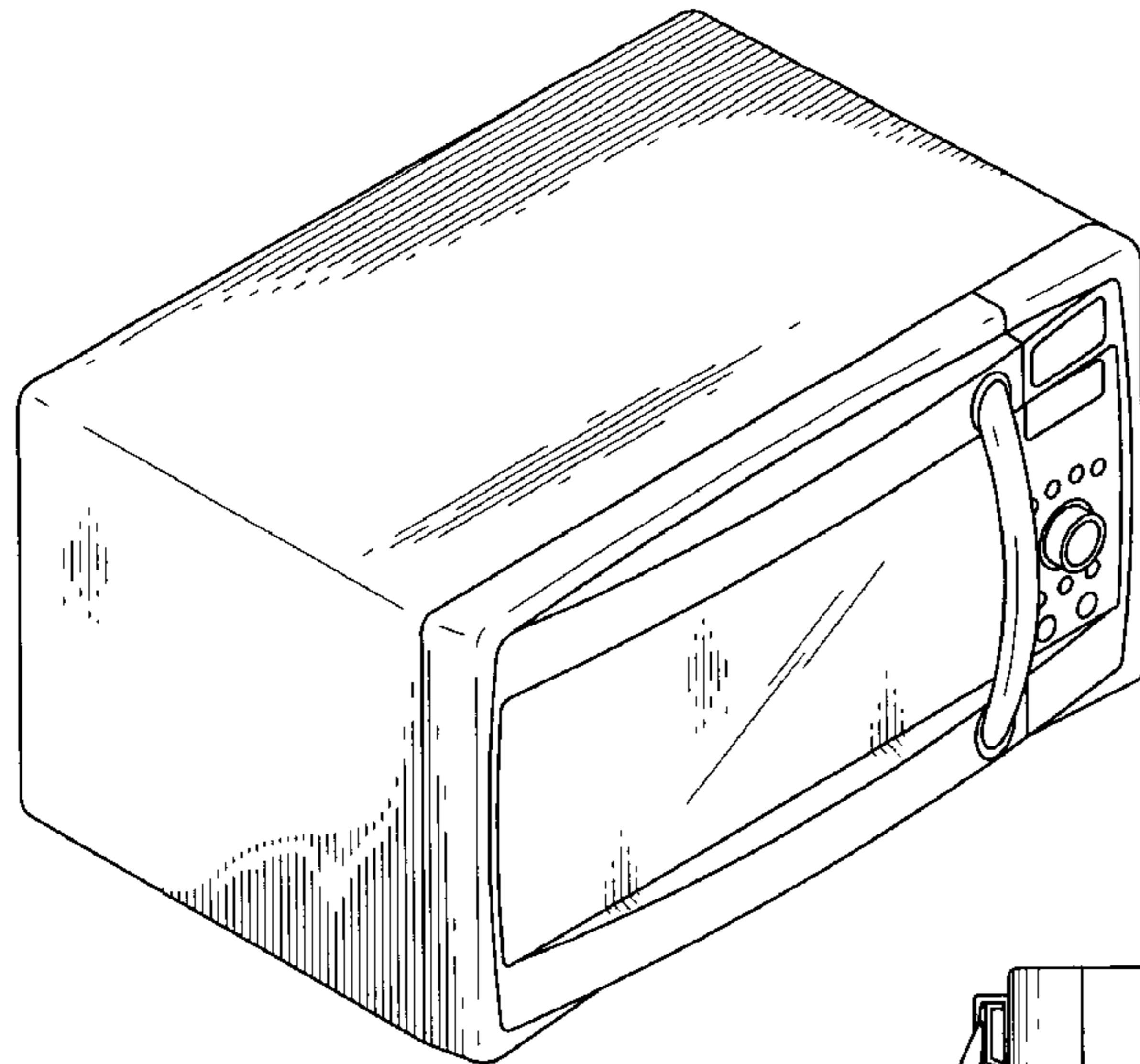
FIG. 4 is a left side view thereof;

FIG. 5 is a right side view thereof;

FIG. 6 is a top plan view thereof; and,

FIG. 7 is a bottom plan view thereof.

1 Claim, 3 Drawing Sheets



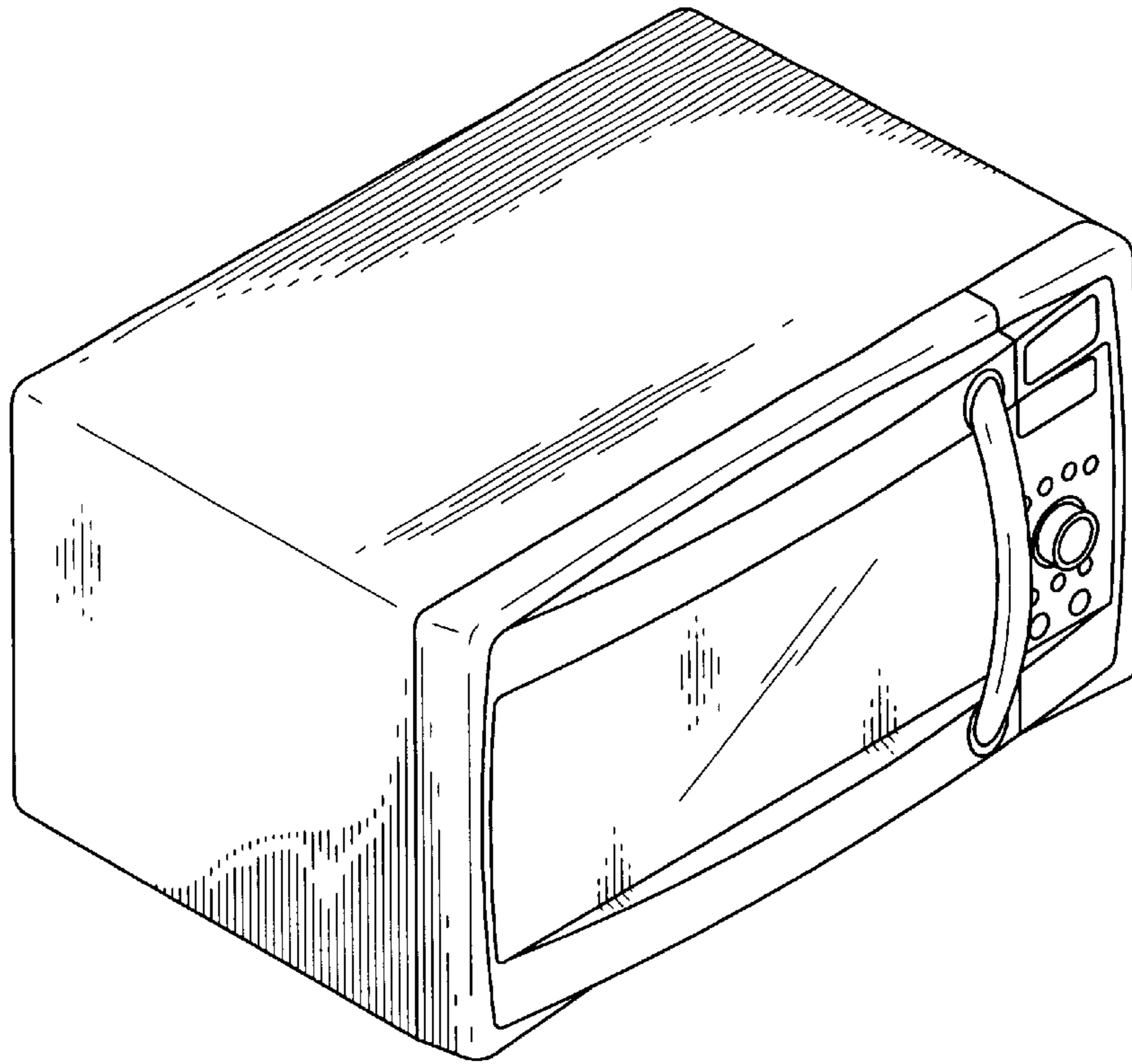


FIG. 1

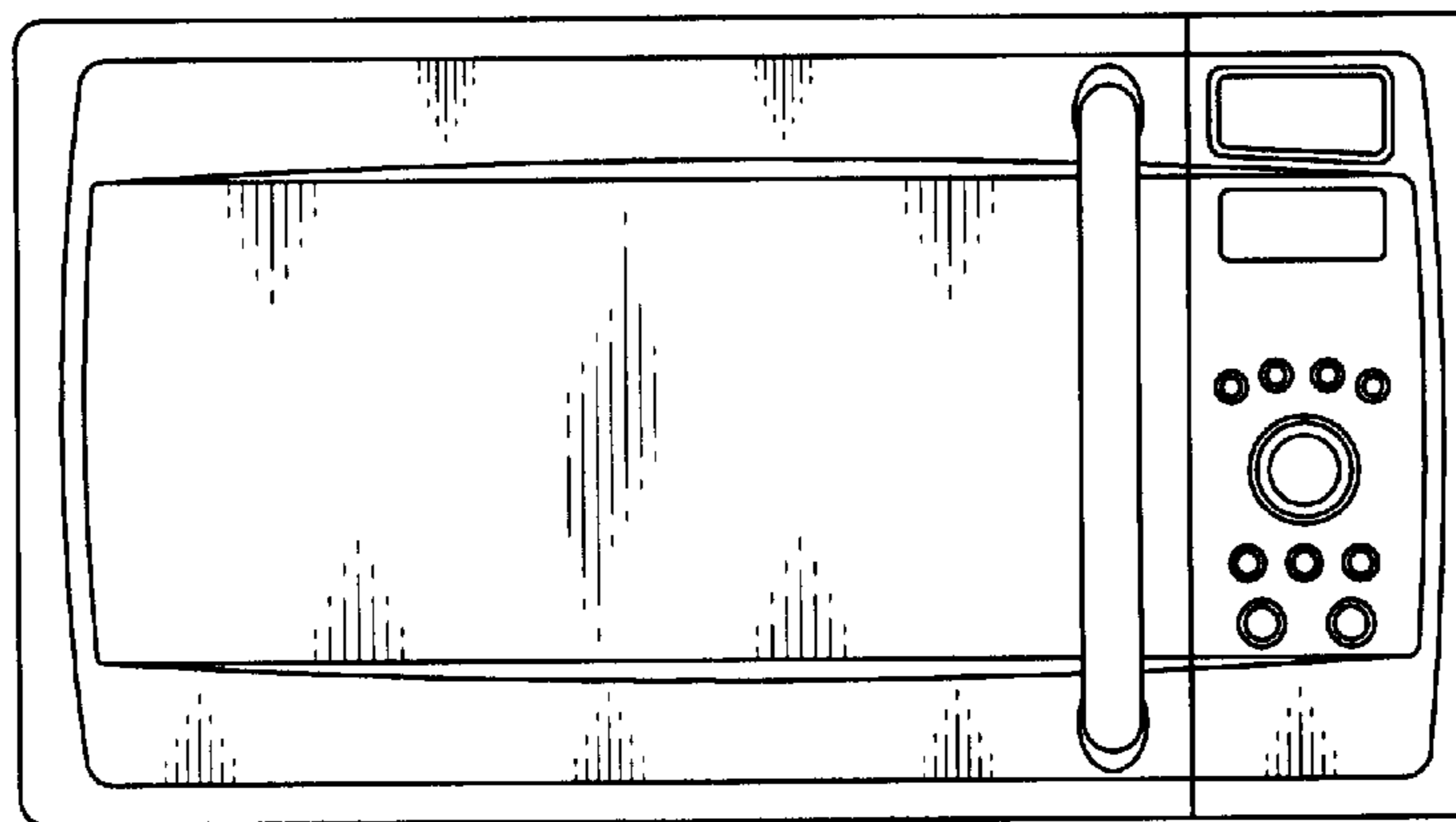


FIG. 2

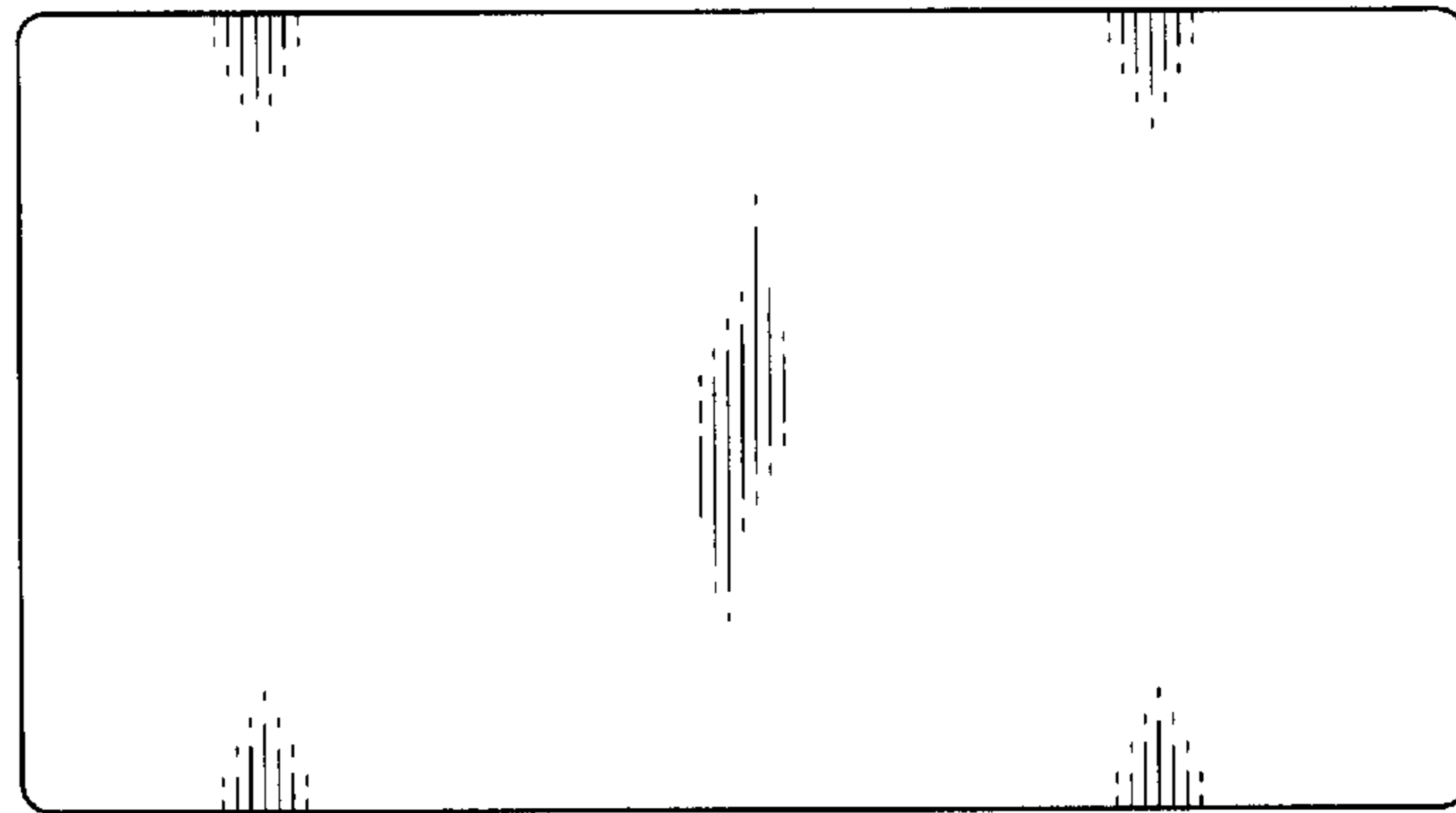


FIG.3

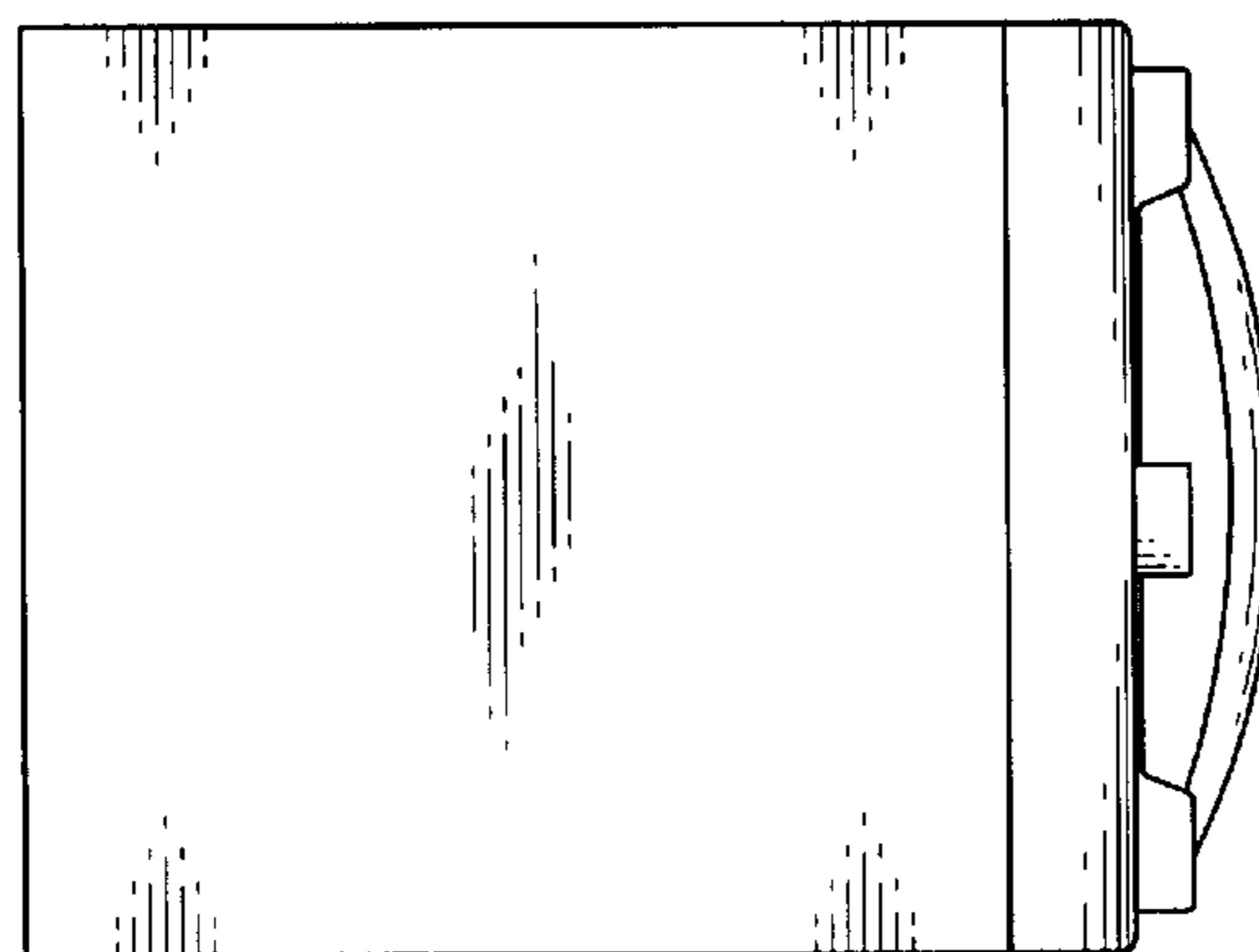


FIG.4

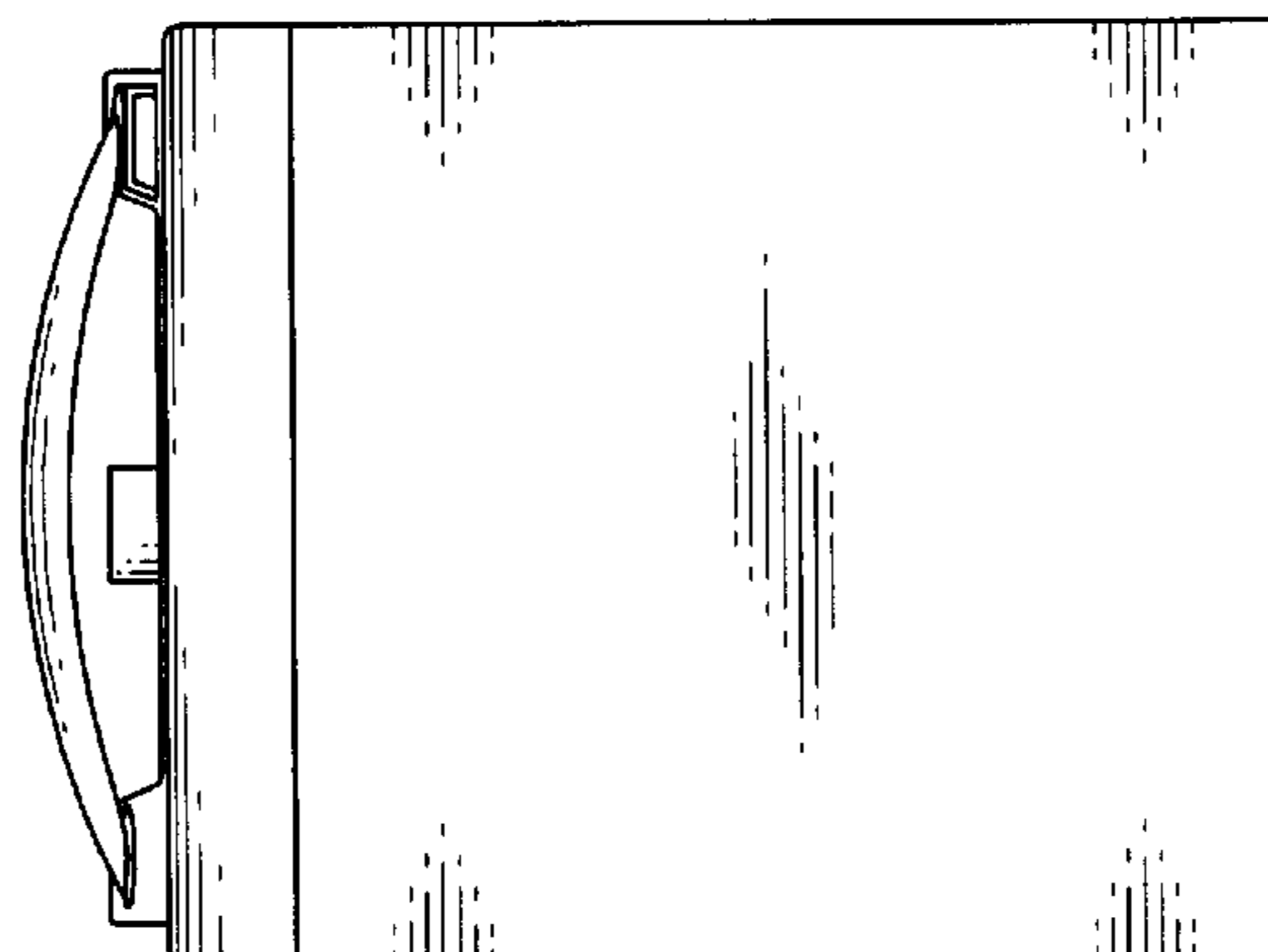


FIG.5

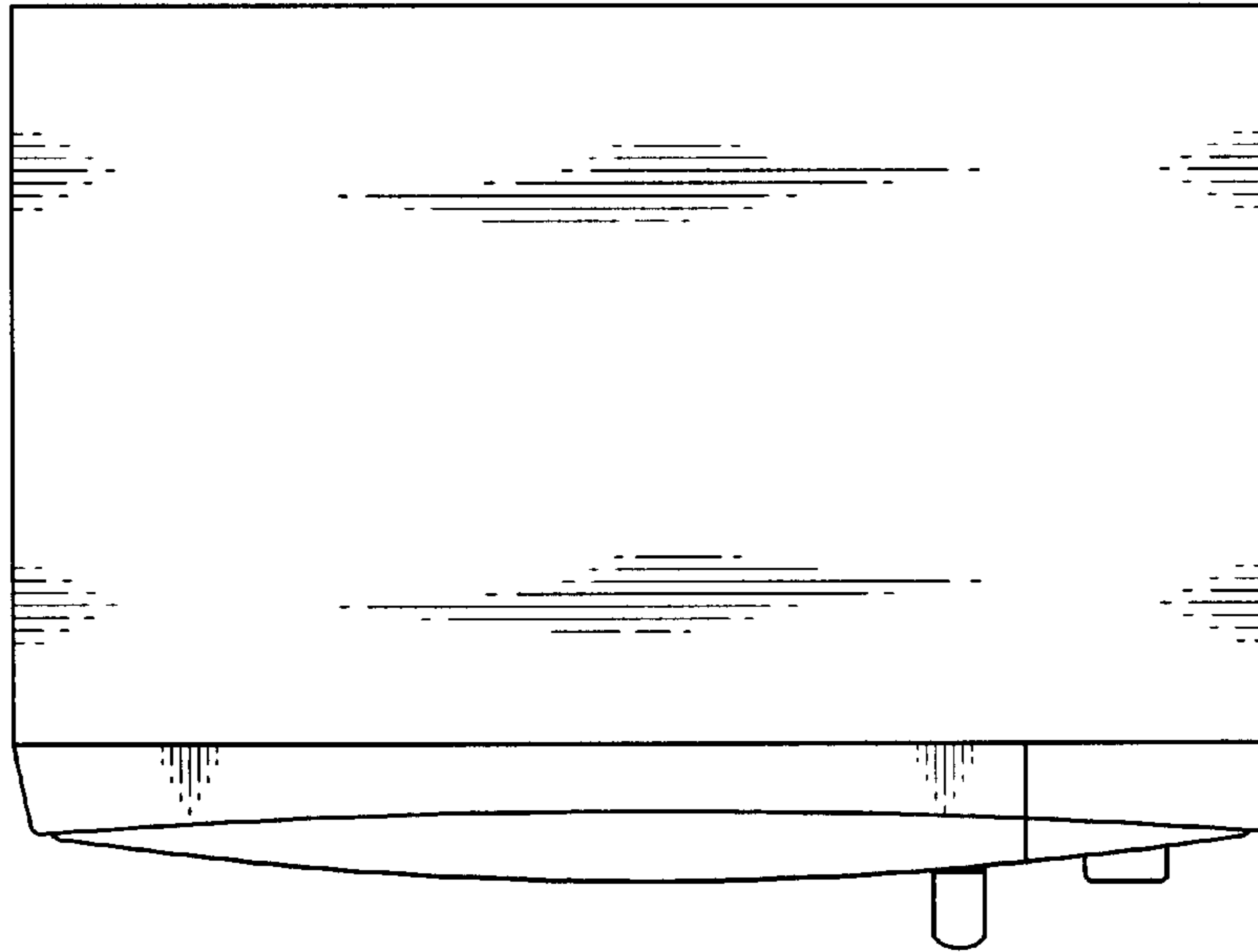


FIG. 6

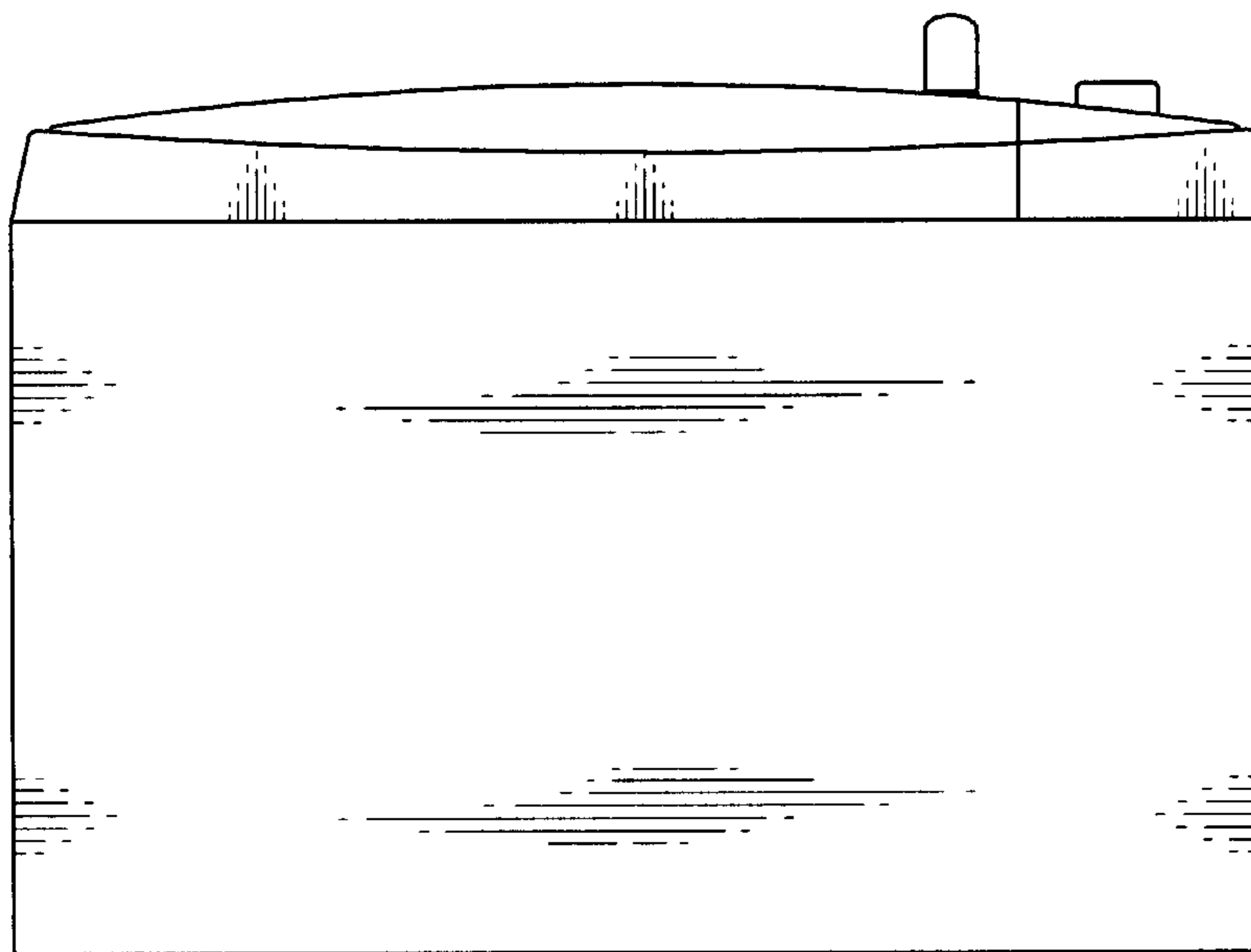


FIG. 7