



US00D518677S

(12) **United States Design Patent**
Van Berlo

(10) **Patent No.:** **US D518,677 S**

(45) **Date of Patent:** **** Apr. 11, 2006**

(54) **BEER DISPENSER**

(75) Inventor: **Ad Van Berlo**, Eindhoven (NL)

(73) Assignee: **InBev S.A.**, Leuven (BE)

(**) Term: **14 Years**

(21) Appl. No.: **29/194,639**

(22) Filed: **Nov. 28, 2003**

(30) **Foreign Application Priority Data**

May 28, 2003 (EM) 000029145-0001

(51) **LOC (8) Cl.** **07-01**

(52) **U.S. Cl.** **D7/306; D7/311**

(58) **Field of Classification Search** D7/309-312,
D7/306-308, 300; 99/284, 295, 280, 307,
99/285, 282, 283, 289 R; 222/146.1, 129.1,
222/131, 396; 137/170.3; D15/82; D20/4,
D20/5

See application file for complete search history.

(56) **References Cited**

U.S. PATENT DOCUMENTS

2,675,822 A * 4/1954 Redlin 137/170.3

D247,737 S * 4/1978 Alexander et al. D7/691

D272,225 S * 1/1984 DeCoster D7/319

D350,255 S * 9/1994 Daenen et al. D7/317

D382,763 S * 8/1997 Jeppesen et al. D7/316

D386,944 S * 12/1997 Demore et al. D7/397

D389,006 S * 1/1998 Demore et al. D7/319

* cited by examiner

Primary Examiner—M. N. Pandozzi

(74) *Attorney, Agent, or Firm*—Abelman, Frayne & Schwab

(57) **CLAIM**

I claim the ornamental design for beer dispenser, as shown and described.

DESCRIPTION

FIG. 1 is a perspective view showing the new beer dispenser design;

FIG. 2 is a side view thereof;

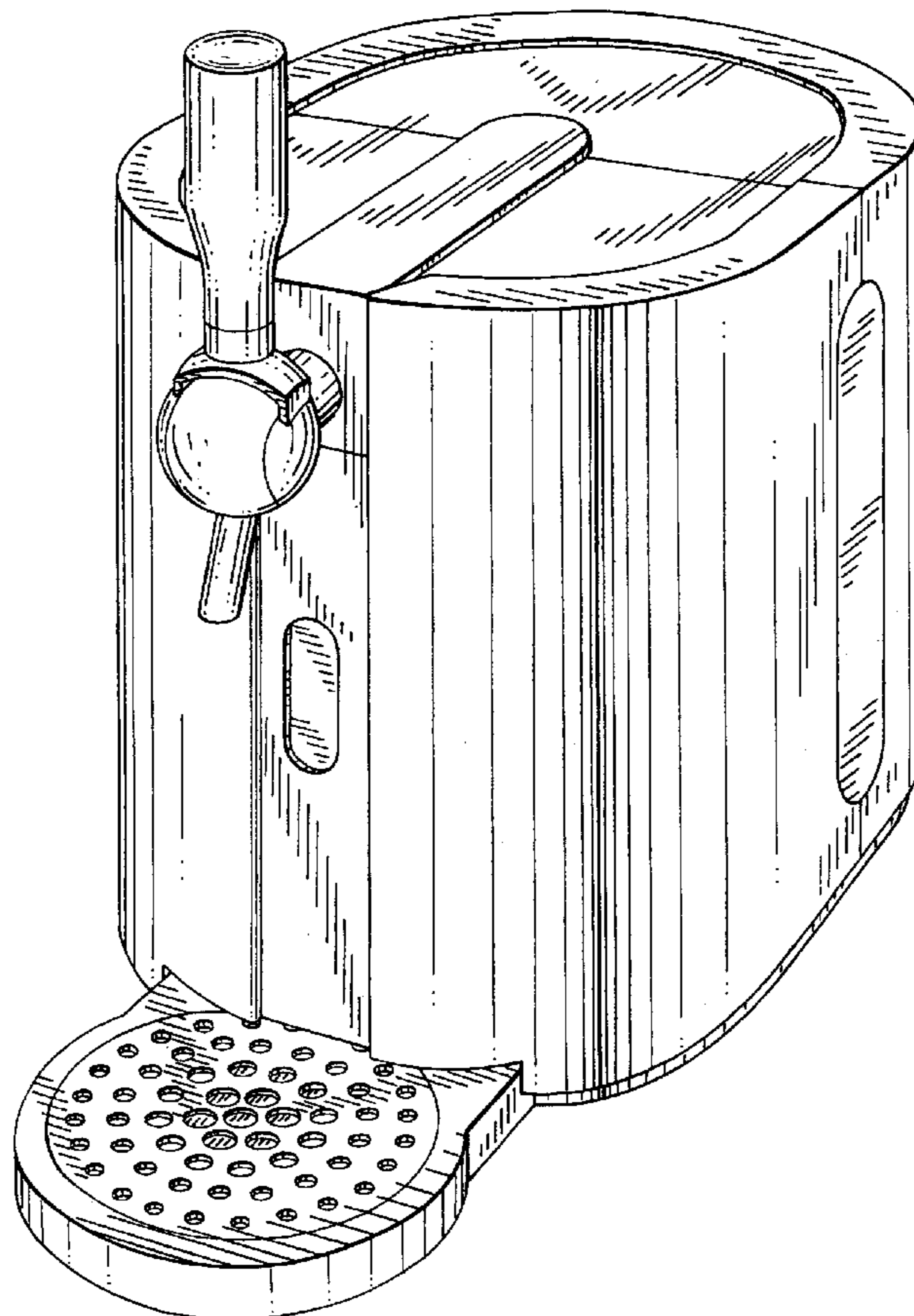
FIG. 3 is a top view thereof;

FIG. 4 is a front view thereof;

FIG. 5 is a rear view thereof; and,

FIG. 6 is a bottom view thereof.

1 Claim, 5 Drawing Sheets



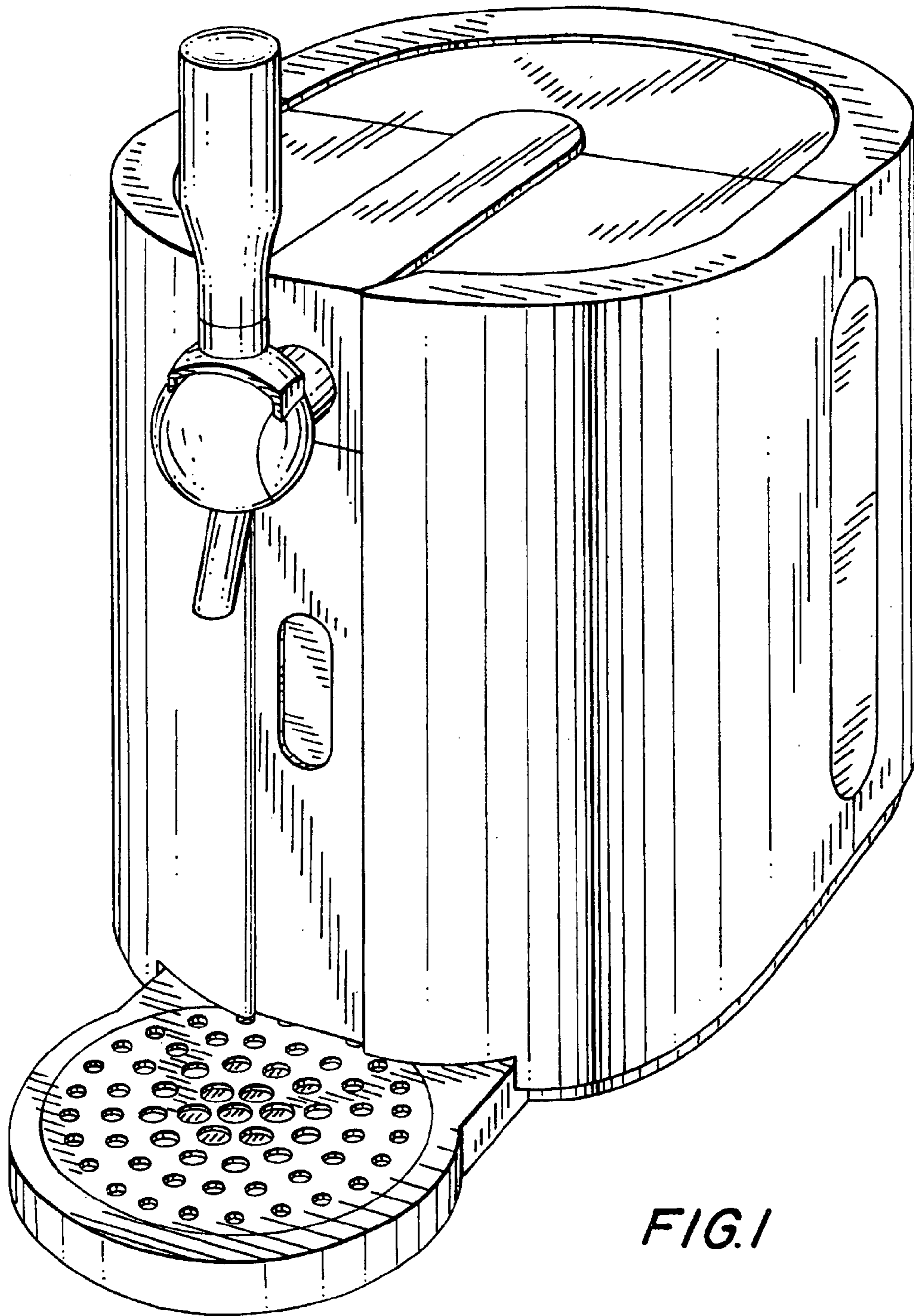


FIG. 1

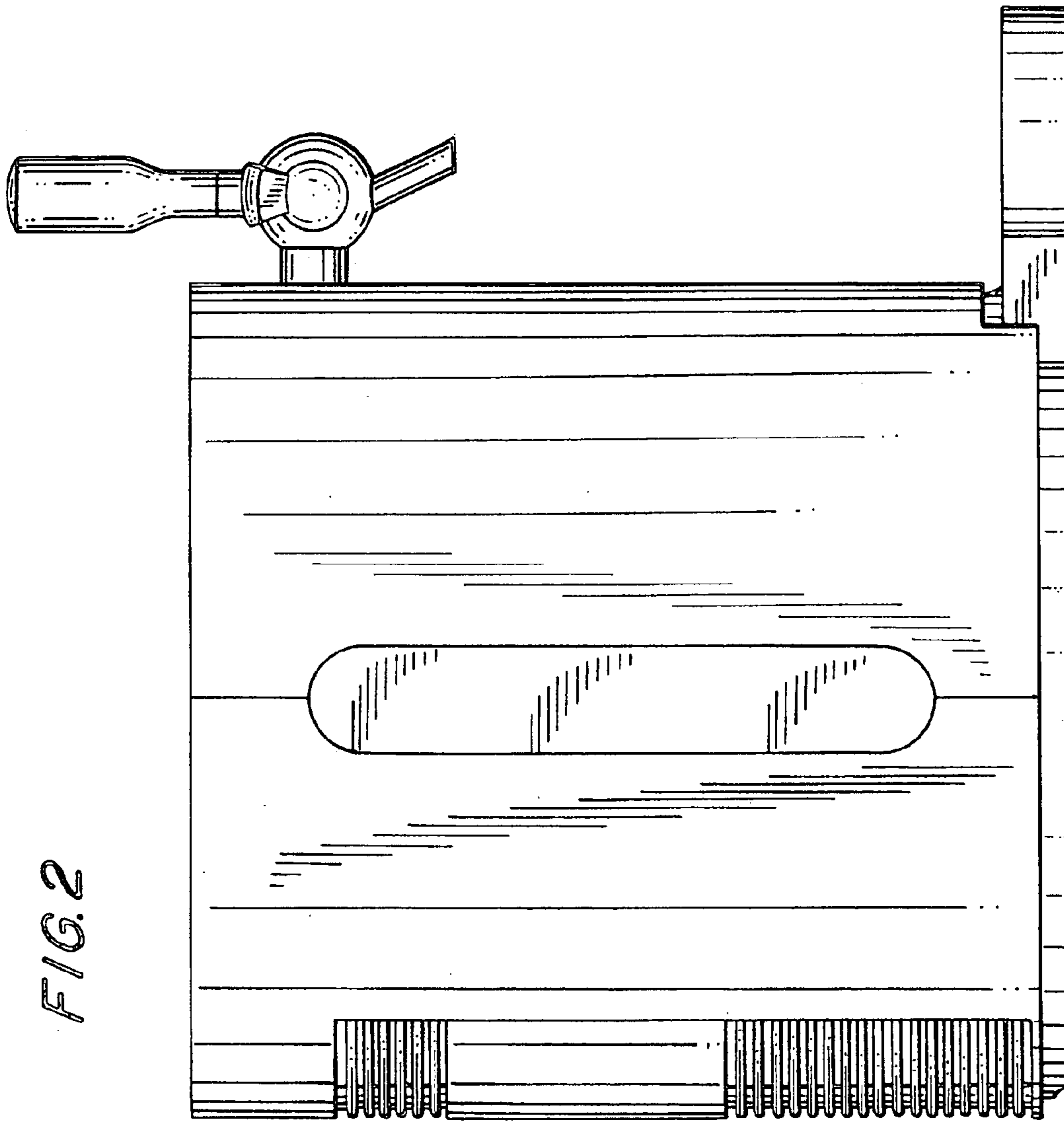
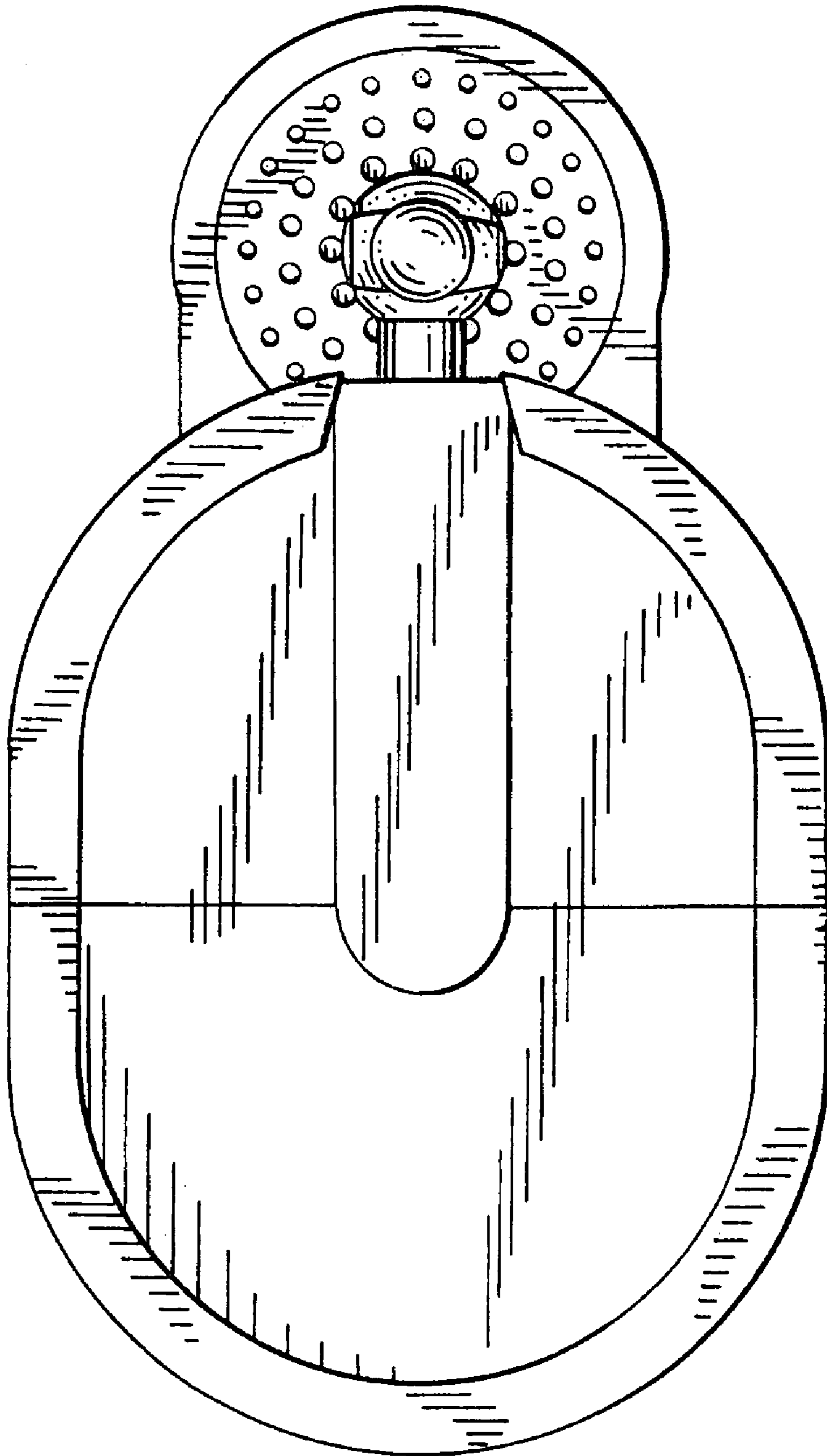


FIG. 2

FIG. 3



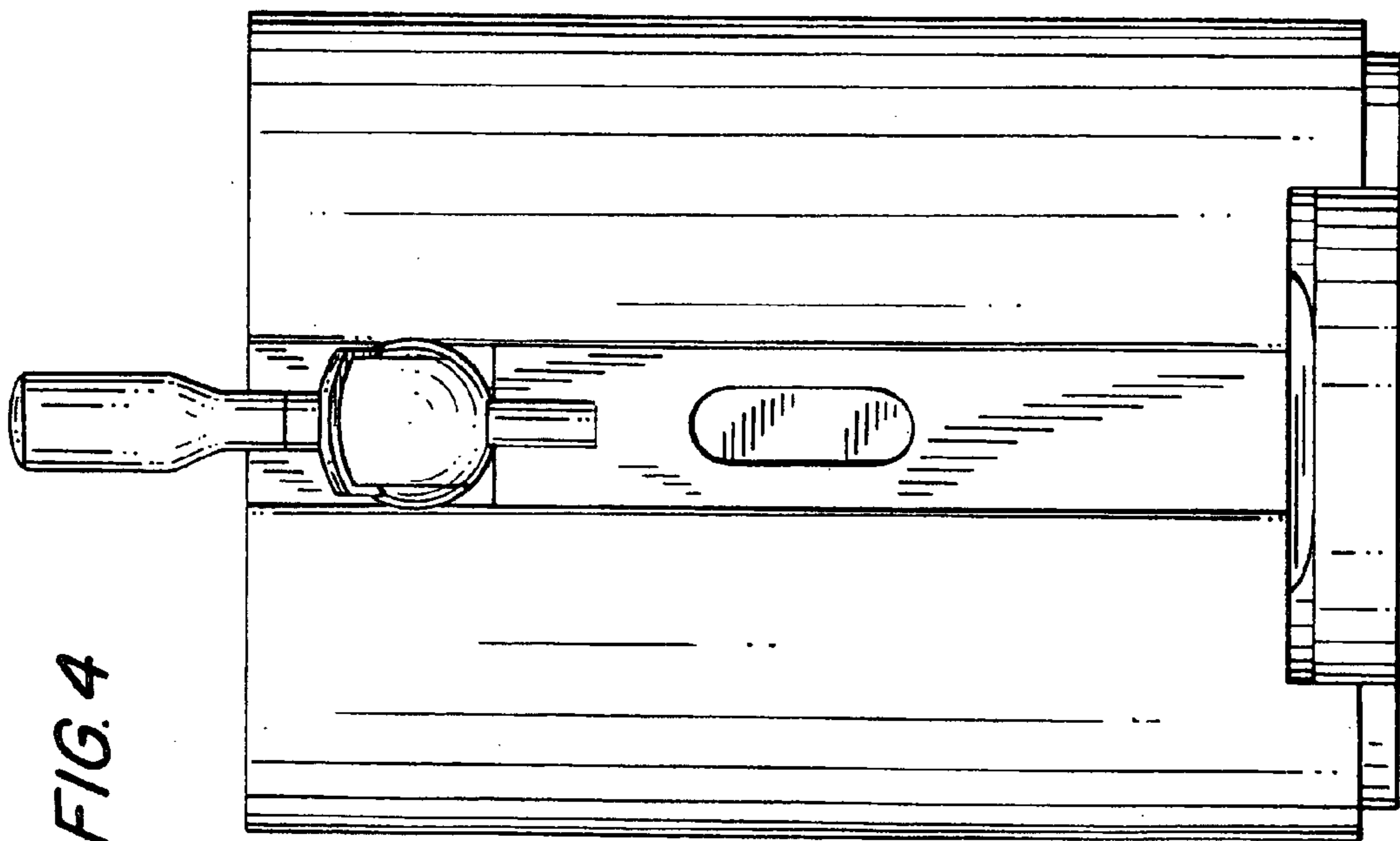
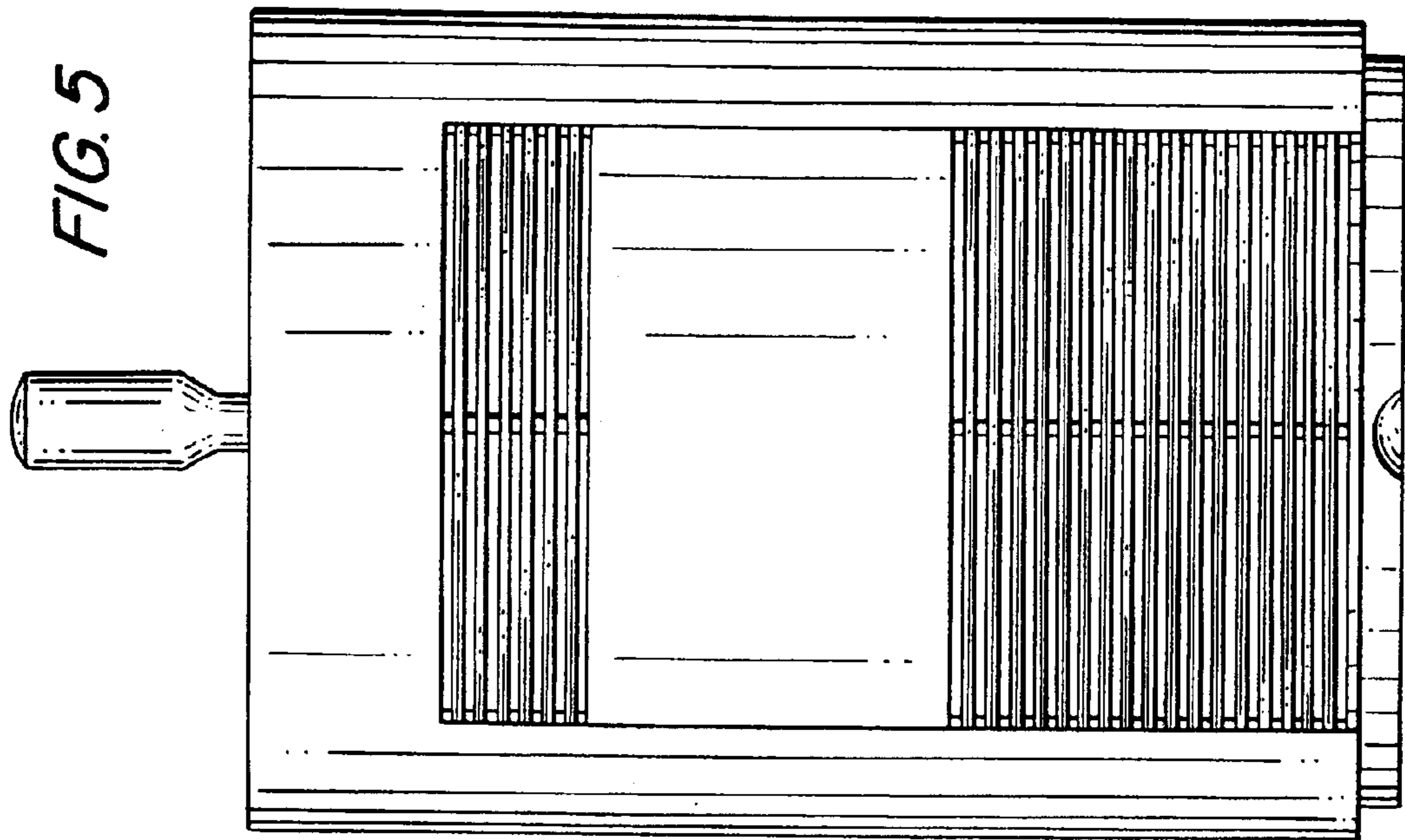


FIG. 6

