



US00D518676S

(12) **United States Design Patent**  
**Lee et al.**

(10) **Patent No.:** **US D518,676 S**  
(45) **Date of Patent:** **\*\* Apr. 11, 2006**

(54) **PROTECTIVE COMPACT DISK HOLDER**

(75) Inventors: **Ching Mou Lee**, Quarry Bay (CN);  
**Choy Tim Lee**, Ontario, CA (US)

(73) Assignee: **Cheong Wing Electric, Ltd.**, Quarry  
Bay (HK)

(\*\*) Term: **14 Years**

(21) Appl. No.: **29/215,593**

(22) Filed: **Jan. 18, 2005**

(51) **LOC (8) Cl.** ..... **06-04**

(52) **U.S. Cl.** ..... **D6/634; D6/407**

(58) **Field of Classification Search** ..... D3/201,  
D3/218, 270; D6/407, 626-635; 206/18,  
206/307.1, 308.1, 308.2, 308.3, 309, 310,  
206/311, 312, 313, 445, 749; D19/26, 27,  
D19/32; 312/9.1, 902, 9.9, 9.48, 9.55, 9.64,  
312/9.4

See application file for complete search history.

(56) **References Cited**

**U.S. PATENT DOCUMENTS**

D214,819 S	*	7/1969	Goldberg	.....	D6/634
4,120,398 A	*	10/1978	Braddon, Sr.	.....	206/408
4,593,814 A	*	6/1986	Hagiwara et al.	.....	206/387.1
D285,144 S	*	8/1986	Roskvist	.....	D6/632
D288,983 S	*	3/1987	Juhas et al.	.....	D6/634
4,903,829 A	*	2/1990	Clemens	.....	206/308.1
D318,368 S	*	7/1991	Evans	.....	D6/634
D324,609 S	*	3/1992	Yasuhara et al.	.....	D6/634
D335,215 S	*	5/1993	Stumpff	.....	D6/634
D347,320 S	*	5/1994	Du Corday	.....	D6/634
D347,728 S	*	6/1994	Taniyama	.....	D6/634
D350,867 S	*	9/1994	Lim	.....	D6/631
D351,963 S	*	11/1994	Lim	.....	D6/631
5,361,903 A	*	11/1994	Thiele	.....	206/403
5,366,073 A	*	11/1994	Turrentine et al.	.....	206/309
5,477,960 A	*	12/1995	Chen	.....	206/308.1

5,529,182 A	*	6/1996	Anderson et al.	.....	206/308.1
5,593,030 A	*	1/1997	Tell	.....	206/308.1
5,634,559 A	*	6/1997	Foos et al.	.....	206/518
5,653,335 A	*	8/1997	Bauer et al.	.....	206/307.1
D385,145 S	*	10/1997	VerWeyst et al.	.....	D6/632
D386,013 S	*	11/1997	Tell	.....	D6/407
D392,500 S	*	3/1998	McEwan	.....	D6/634
D406,703 S	*	3/1999	Cole, Sr.	.....	D6/407
5,950,822 A	*	9/1999	Cloran et al.	.....	206/310
D414,646 S	*	10/1999	Ouguergouz	.....	D6/634
D419,359 S	*	1/2000	Eguchi et al.	.....	D6/634
D420,832 S	*	2/2000	Cole, Sr.	.....	D6/407
6,021,894 A	*	2/2000	Lakoski et al.	.....	206/308.1
D426,721 S	*	6/2000	Benden et al.	.....	D6/407
D431,955 S	*	10/2000	Peterson et al.	.....	D6/632
D433,265 S	*	11/2000	Khatemi	.....	D6/634
D434,592 S	*	12/2000	Sankey et al.	.....	D6/634
6,216,862 B1	*	4/2001	Chang	.....	206/308.1
6,227,363 B1	*	5/2001	Lu	.....	206/308.1
6,241,088 B1	*	6/2001	Lin et al.	.....	206/308.1
D447,663 S	*	9/2001	Myszka et al.	.....	D6/634

\* cited by examiner

*Primary Examiner*—Celia A. Murphy

(74) *Attorney, Agent, or Firm*—Daniel Kirshner

(57) **CLAIM**

We claim the ornamental design for a protective compact disk holder, as shown and described.

**DESCRIPTION**

FIG. 1 is a top perspective view of a protective compact disk holder showing our new design;

FIG. 2 is a top plan view;

FIG. 3 is a bottom plan view thereof;

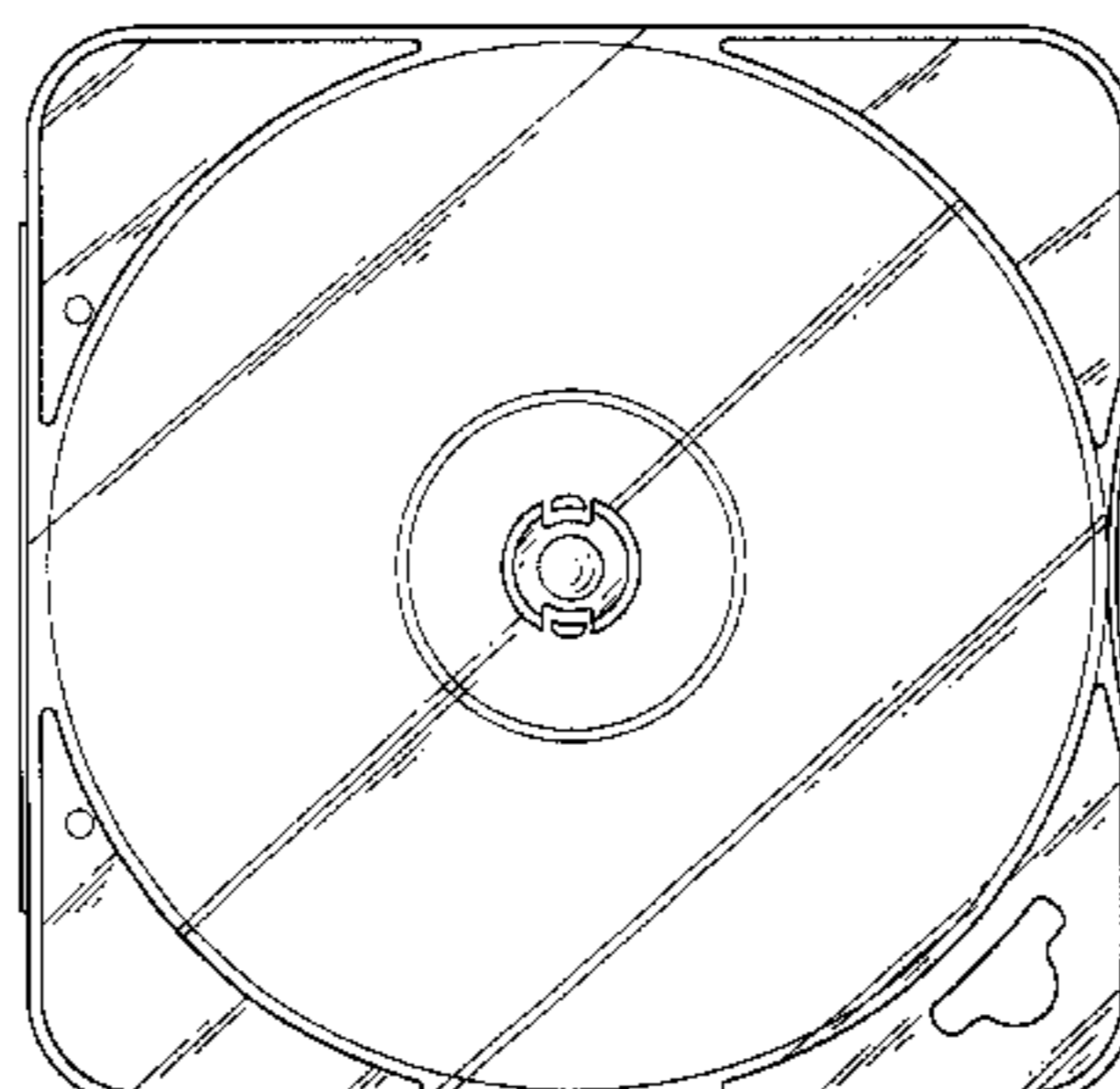
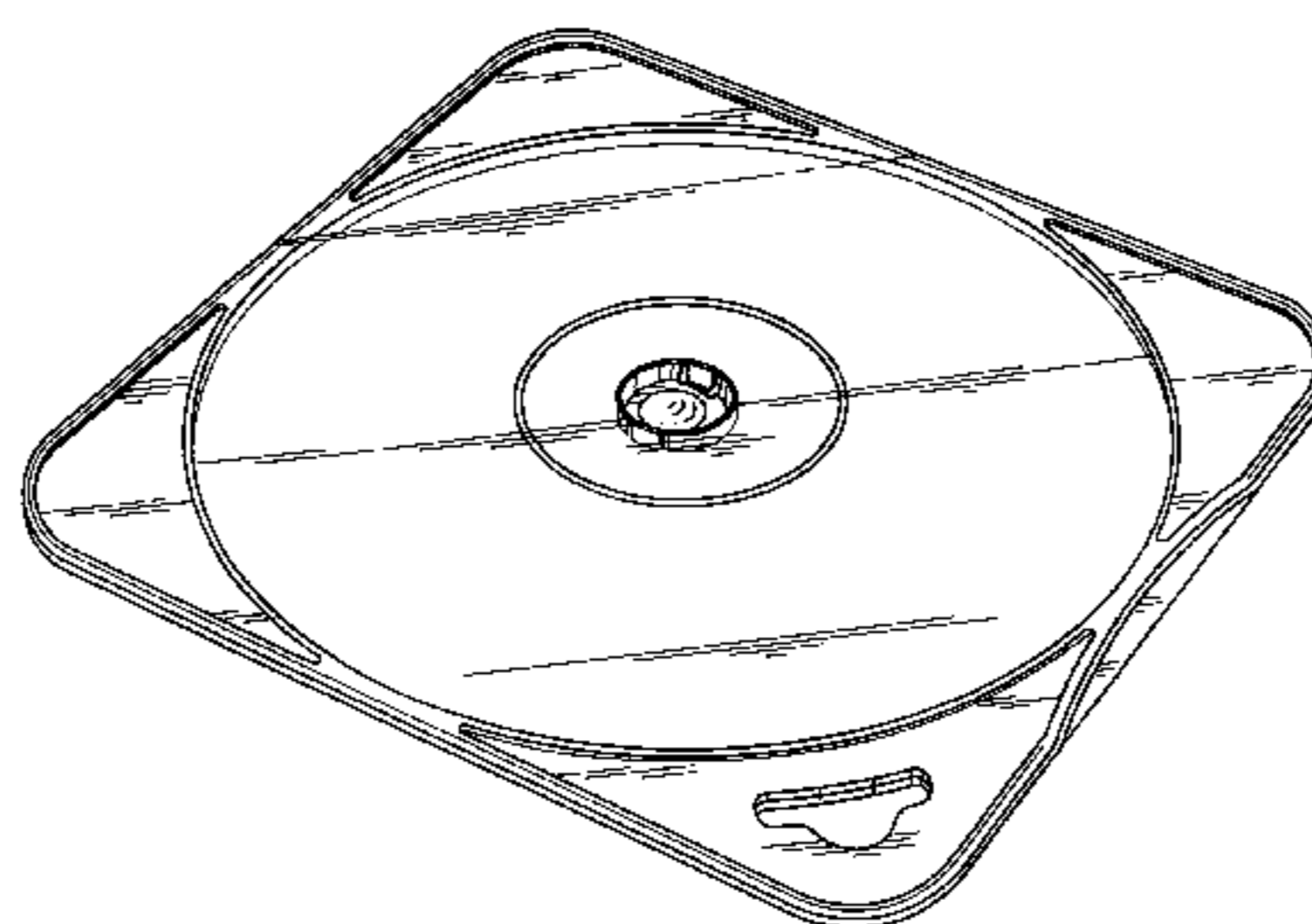
FIG. 4 is a front elevational view thereof;

FIG. 5 is a rear elevational view thereof;

FIG. 6 is a left side elevational view thereof; and,

FIG. 7 is a right side elevational view thereof.

**1 Claim, 4 Drawing Sheets**



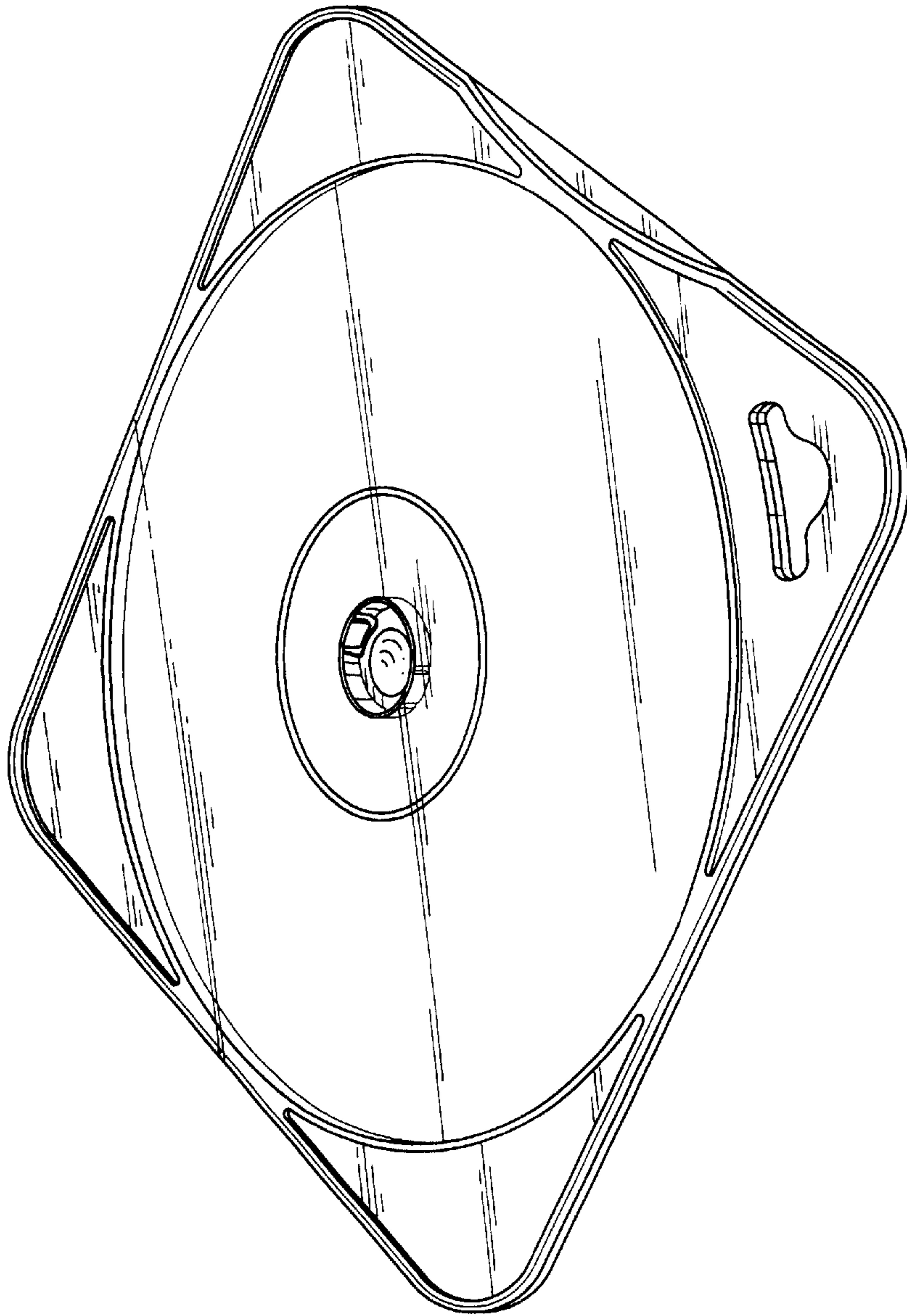
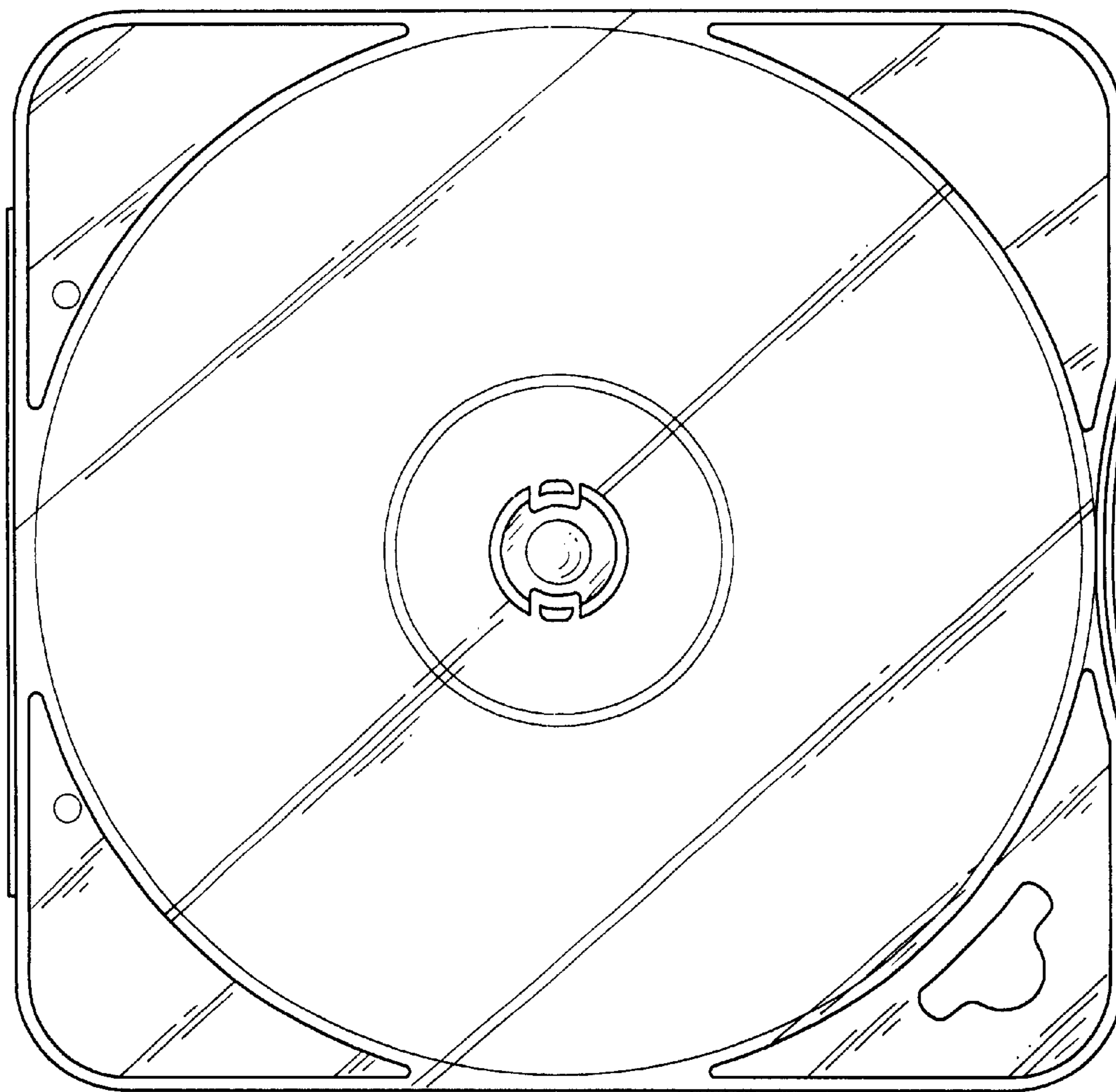
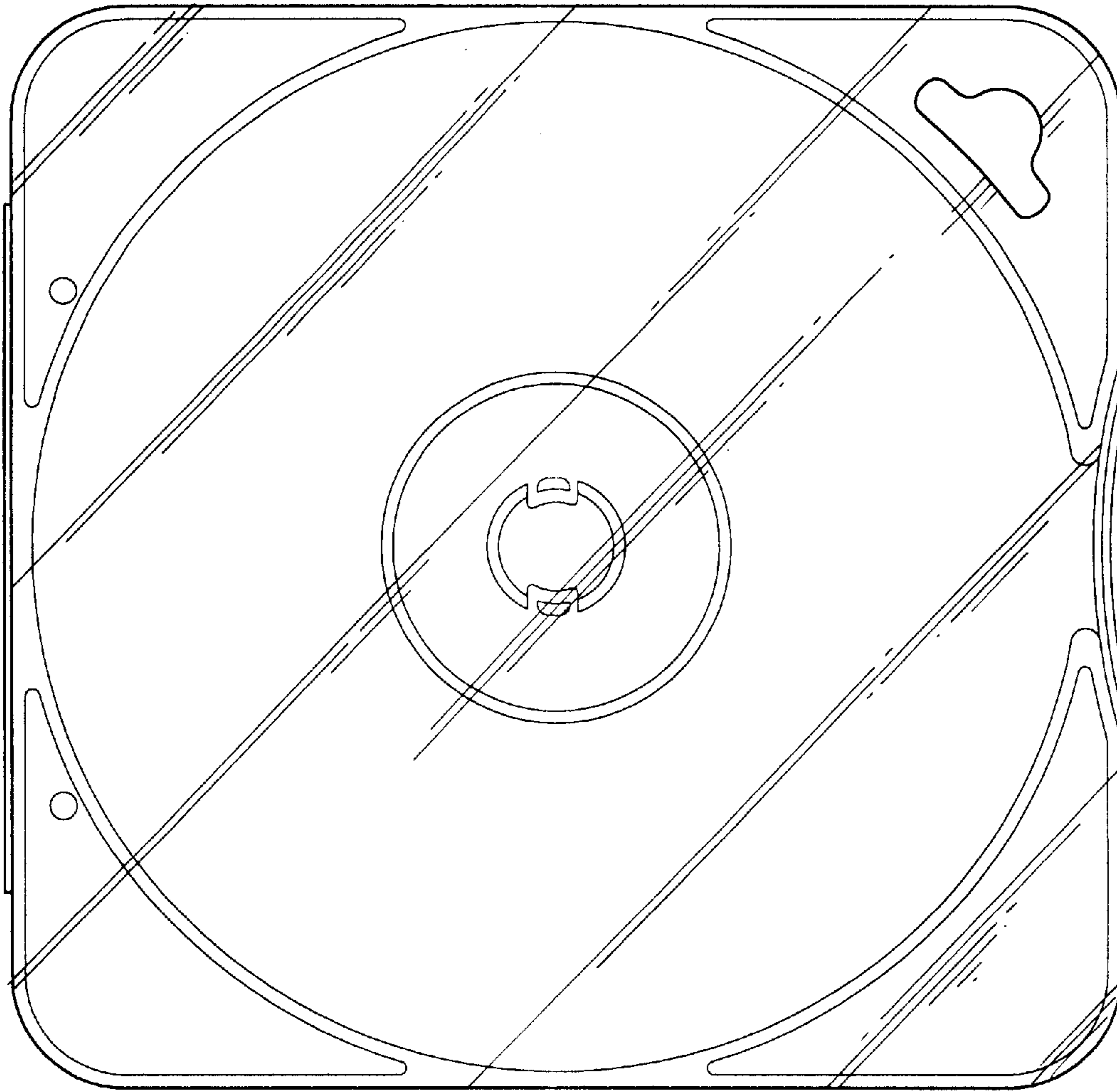


FIG. 1

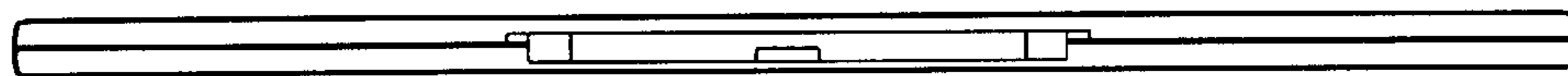


*FIG. 2*

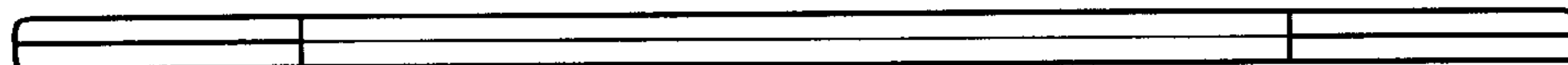




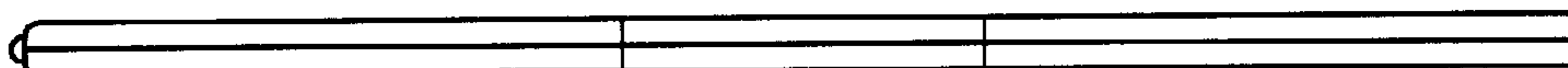
*FIG. 3*



*FIG. 4*



*FIG. 5*



*FIG. 6*



*FIG. 7*