



US00D518673S

(12) **United States Design Patent**  
**Milstein**

(10) **Patent No.:** **US D518,673 S**

(45) **Date of Patent:** **\*\* Apr. 11, 2006**

(54) **CASE FOR STORING AND TRANSPORTING PORTABLE MEMORY DEVICES**

6,659,274 B1 \* 12/2003 Enners ..... 206/305

\* cited by examiner

(75) Inventor: **Scott Milstein**, New York, NY (US)

*Primary Examiner*—Philip S. Hyder

*Assistant Examiner*—RoseLynne Ulm

(73) Assignee: **Sourcery**, New York, NY (US)

(74) *Attorney, Agent, or Firm*—Steinberg & Raskin, P.C.

(\*\*) Term: **14 Years**

(57) **CLAIM**

(21) Appl. No.: **29/217,993**

I claim the ornamental design for a case for storing and transporting portable memory devices, as shown and described.

(22) Filed: **Nov. 24, 2004**

(51) **LOC (8) Cl.** ..... **06-04**

(52) **U.S. Cl.** ..... **D6/627; D3/297**

(58) **Field of Classification Search** ..... D3/201,  
D3/203.1–203.3, 218, 247, 273, 297–298;  
D6/407, 627–632; D9/424; D14/260.1, 479,  
D14/483

See application file for complete search history.

**DESCRIPTION**

(56) **References Cited**

**U.S. PATENT DOCUMENTS**

D185,702 S	*	7/1959	Fleming	.....	D3/206
5,360,107 A	*	11/1994	Chasin et al.	.....	206/313
D383,936 S	*	9/1997	McCracken	.....	D6/627
D384,538 S	*	10/1997	Bosworth	.....	D6/632
D406,487 S	*	3/1999	Attar et al.	.....	D6/632
D407,591 S	*	4/1999	Bologna et al.	.....	D6/627
D421,856 S	*	3/2000	Kirihara et al.	.....	D6/407
D436,785 S	*	1/2001	Kitch	.....	D6/627
D439,743 S	*	4/2001	DeVance	.....	D3/297
D443,436 S	*	6/2001	Harada et al.	.....	D6/407

FIG. 1 is a perspective view of a case for storing and transporting portable memory devices in the closed position showing my new design;

FIG. 2 is a perspective view thereof in the open position;

FIG. 3 is a top view thereof in the closed position;

FIG. 4 is a front view thereof in the closed position;

FIG. 5 is a right side view thereof in the closed position;

FIG. 6 is a left side view thereof in the closed position;

FIG. 7 is a rear view thereof in the closed position; and,

FIG. 8 is a bottom view thereof in the closed position.

The broken lines, including the unit demarcations in FIGS. 3, 7, and 8, are for illustrative purposes only and form no part of the claimed design. The arrows in FIG. 2, which also form no part of the claimed design, are for the purpose of showing the relationship between the claimed design and the elements disclosed in broken lines.

**1 Claim, 4 Drawing Sheets**

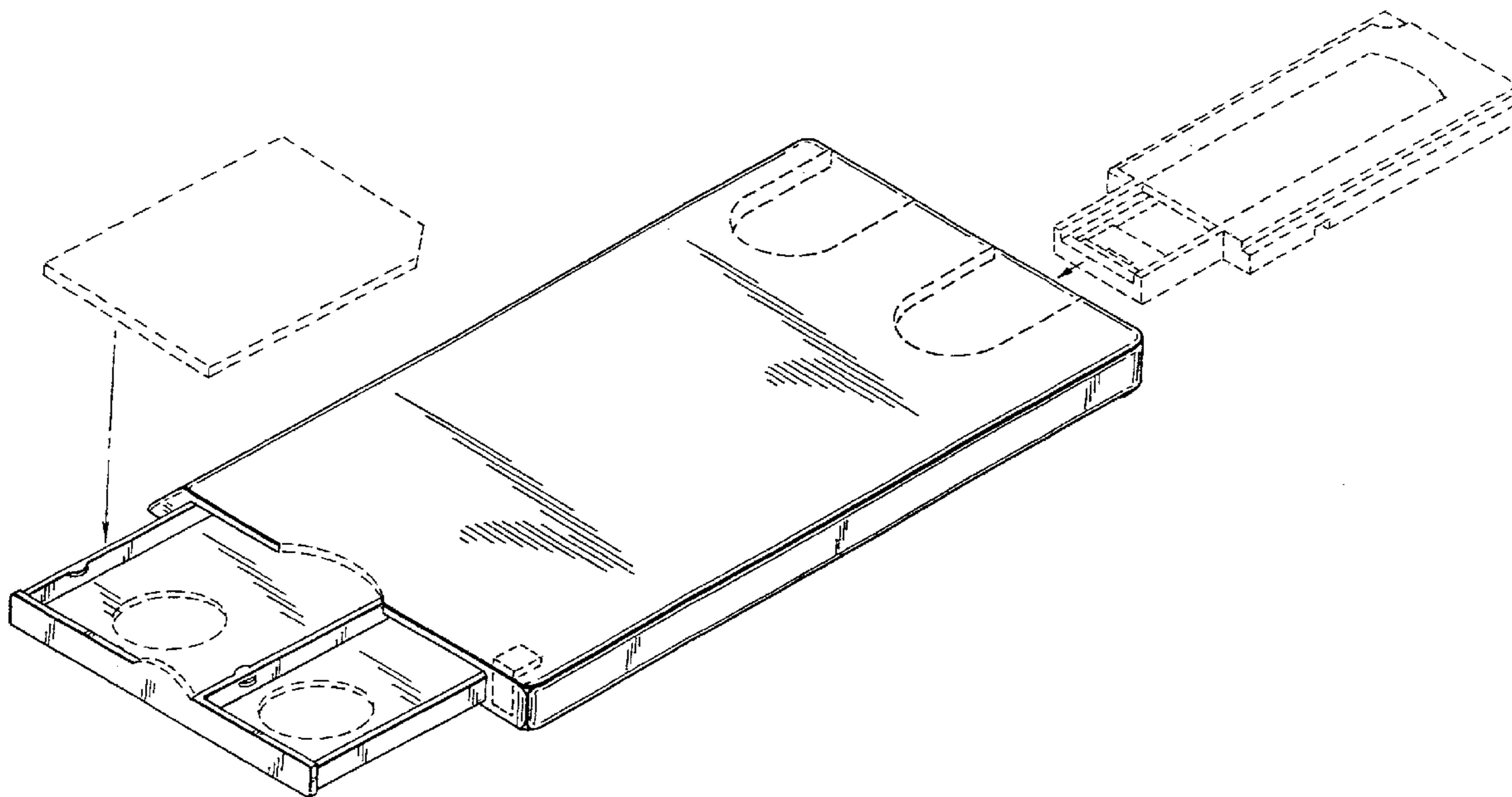
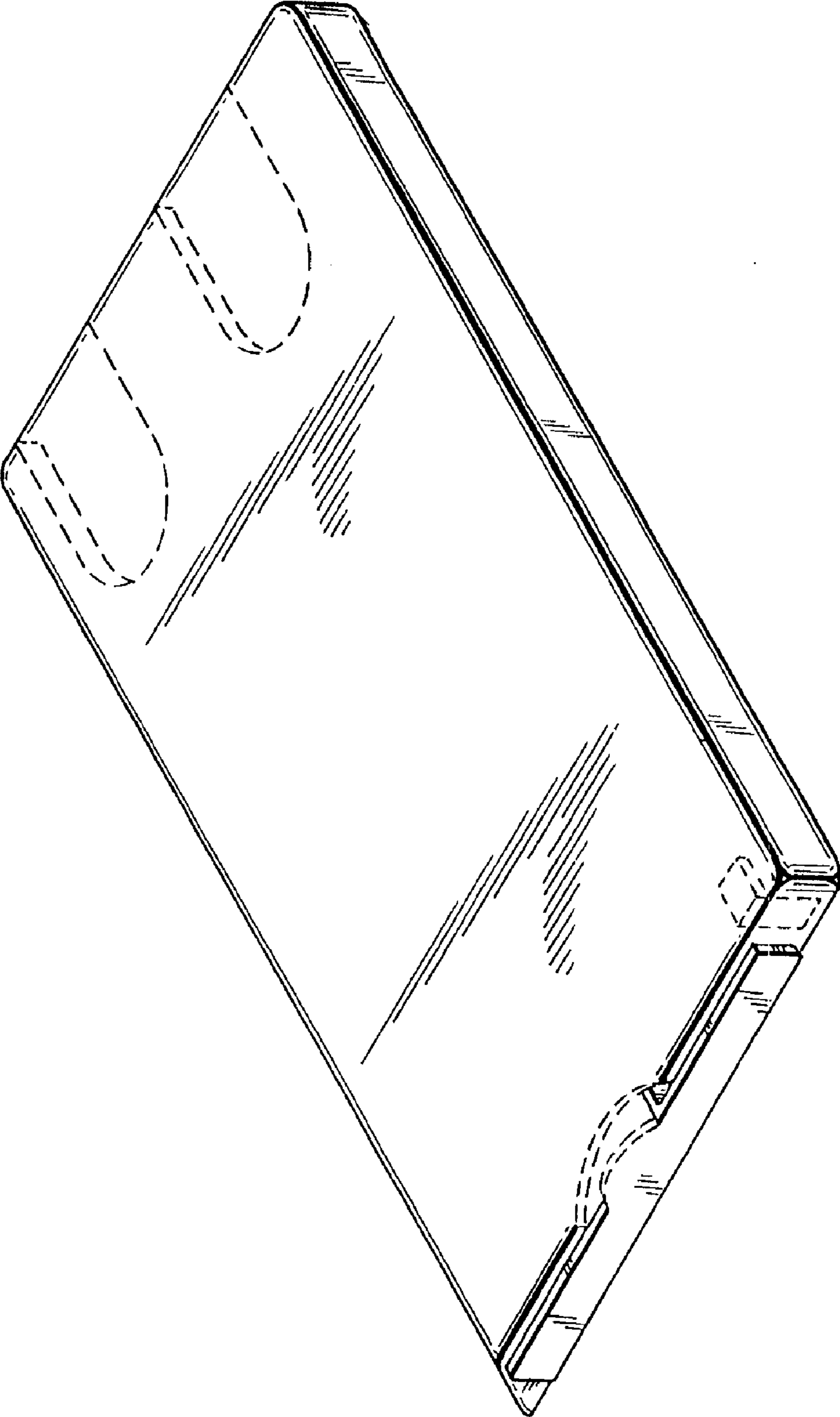


FIG. 1



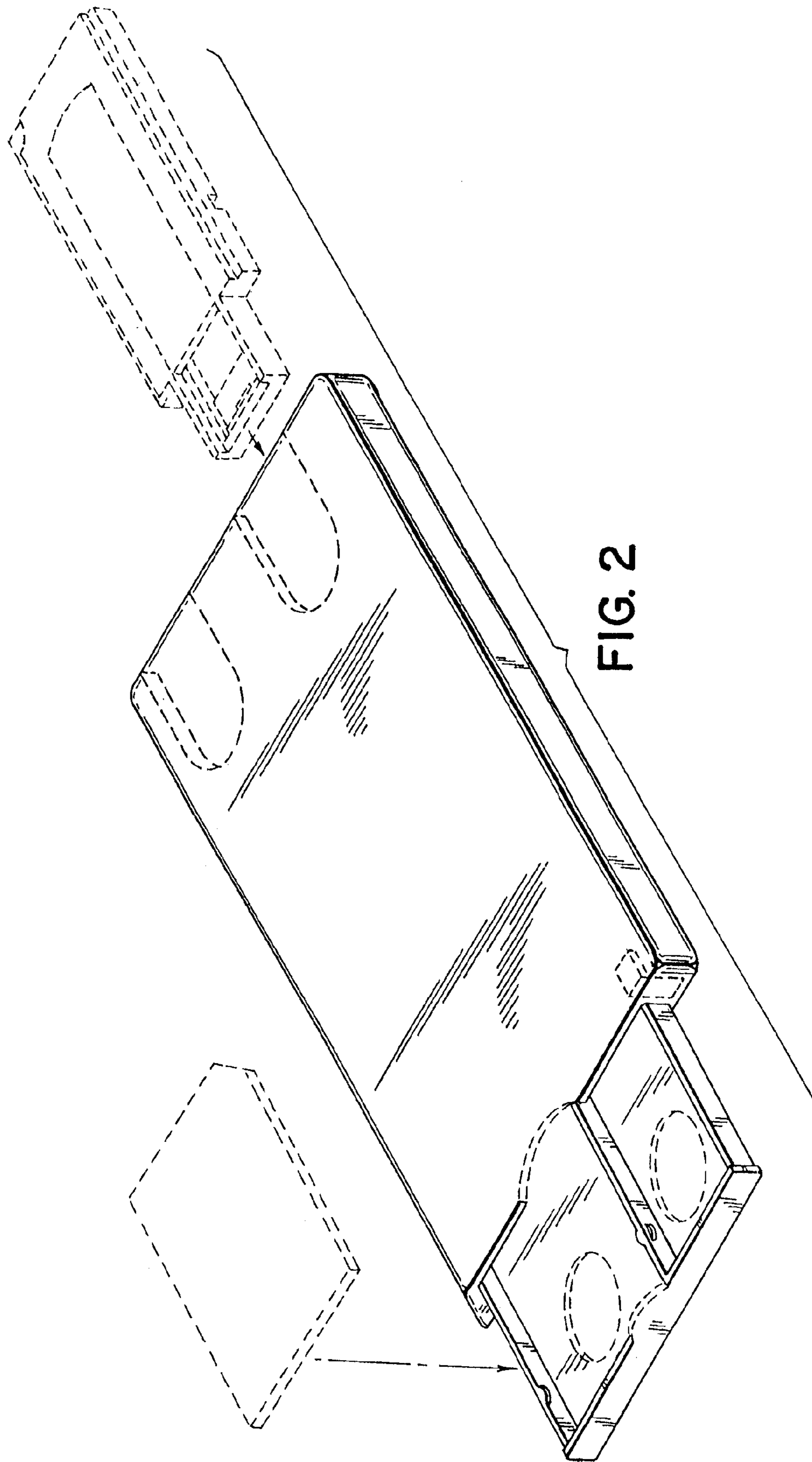


FIG. 3

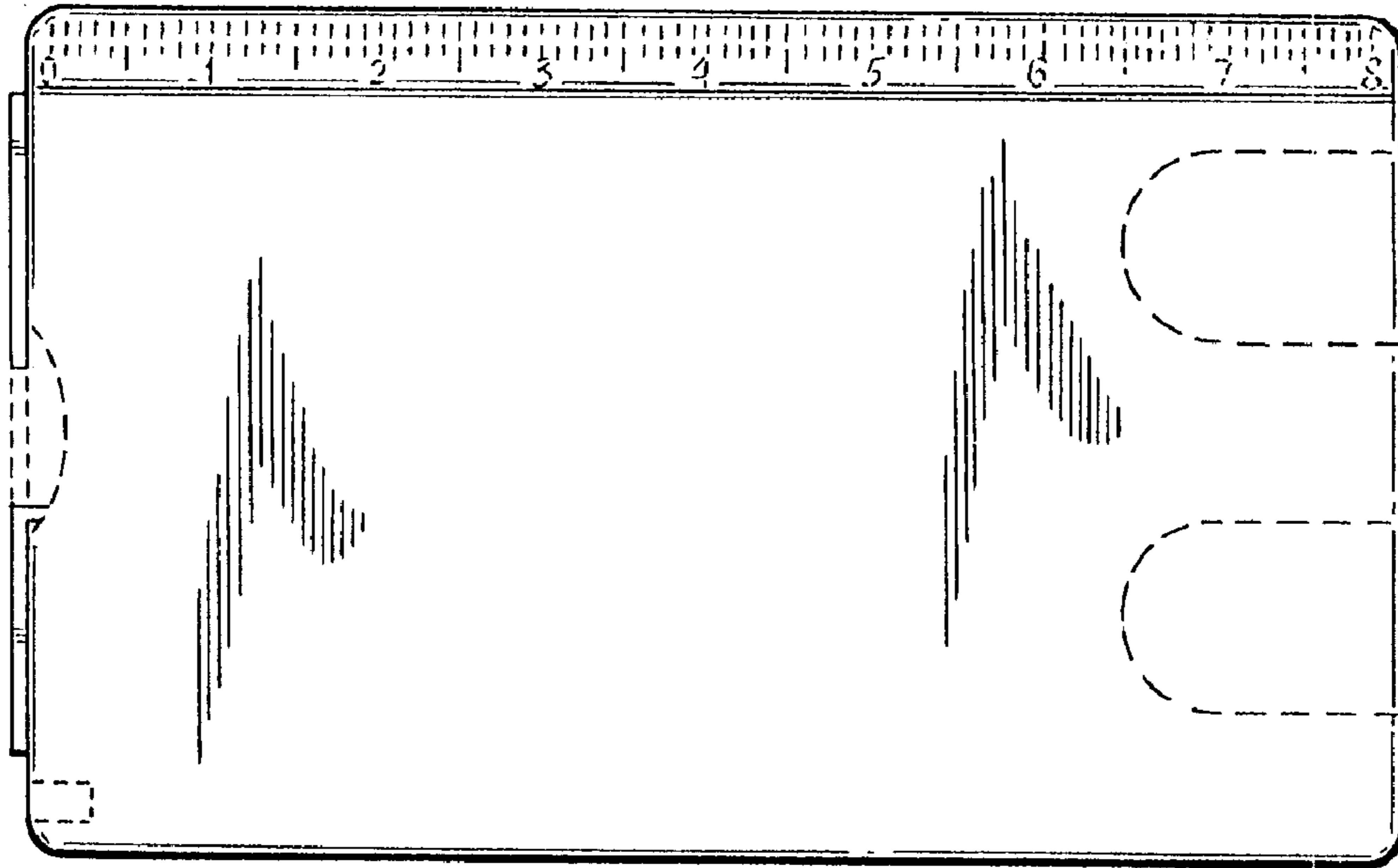


FIG. 4

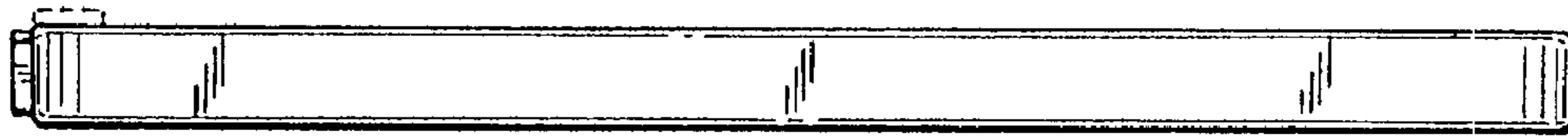


FIG. 5

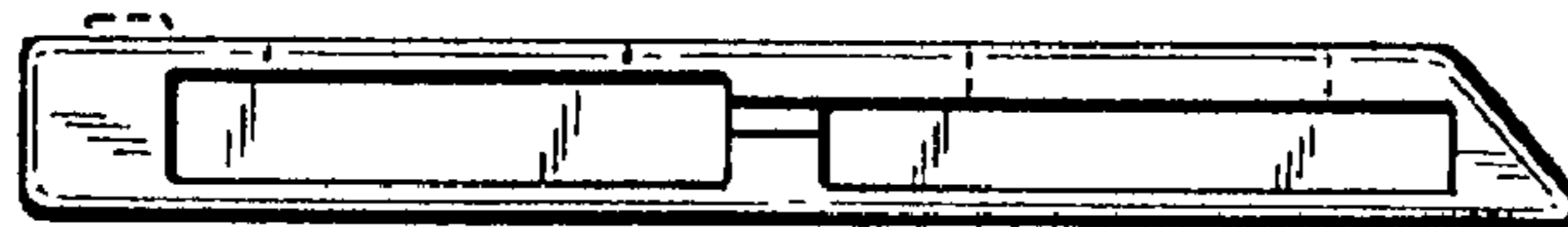


FIG. 6



FIG. 7

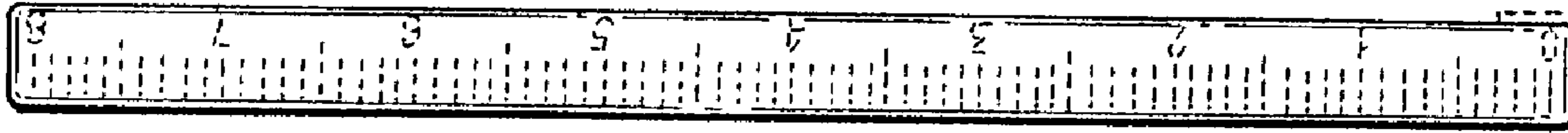


FIG. 8

