



US00D518670S

(12) **United States Design Patent**
Cheng et al.

(10) **Patent No.:** **US D518,670 S**

(45) **Date of Patent:** **** Apr. 11, 2006**

(54) **BATH ACCESSORY BASE**

D422,824 S * 4/2000 Moore et al. D6/550
D501,784 S * 2/2005 Tibbenham et al. D8/300

(75) Inventors: **Butterfly Cheng**, Taichung (TW);
Steven He, Taichung (TW)

* cited by examiner

(73) Assignee: **Globe Union Industrial Corp.**,
Taichung (TW)

Primary Examiner—Brian N Vinson
(74) *Attorney, Agent, or Firm*—Troxell Law Office, PLLC

(**) Term: **14 Years**

(57) **CLAIM**

(21) Appl. No.: **29/207,057**

The ornamental design for bath accessory base, as show and described.

(22) Filed: **Jun. 9, 2004**

DESCRIPTION

(51) **LOC (8) Cl.** **06-04**

(52) **U.S. Cl.** **D6/550**

(58) **Field of Classification Search** D6/546–550,
D6/518–523; D8/300, 303, 315–321, 349,
D8/354, 363, 373, 380; 108/28–29; 248/175,
248/176.1, 251, 302, 309.1; 16/110.1, 412,
16/415; 242/570, 590, 595–598; 211/13.1,
211/16, 60.1, 100, 86.01, 87.01, 88.01, 88.04,
211/105.1–105.2, 123, 182, 181.1

See application file for complete search history.

FIG. 1 is a perspective view of bath accessory base showing our new design;
FIG. 2 is a front elevational view thereof;
FIG. 3 is a rear elevational view thereof;
FIG. 4 is a side elevational view thereof;
FIG. 5 is an opposite side elevational view thereof;
FIG. 6 is a top plan view thereof;
FIG. 7 is a bottom plan view thereof;
FIG. 8 is an additional reduced perspective view thereof;
FIG. 9 is an additional perspective view thereof;
FIG. 10 is an additional perspective view thereof; and,
FIG. 11 is an additional perspective view thereof.

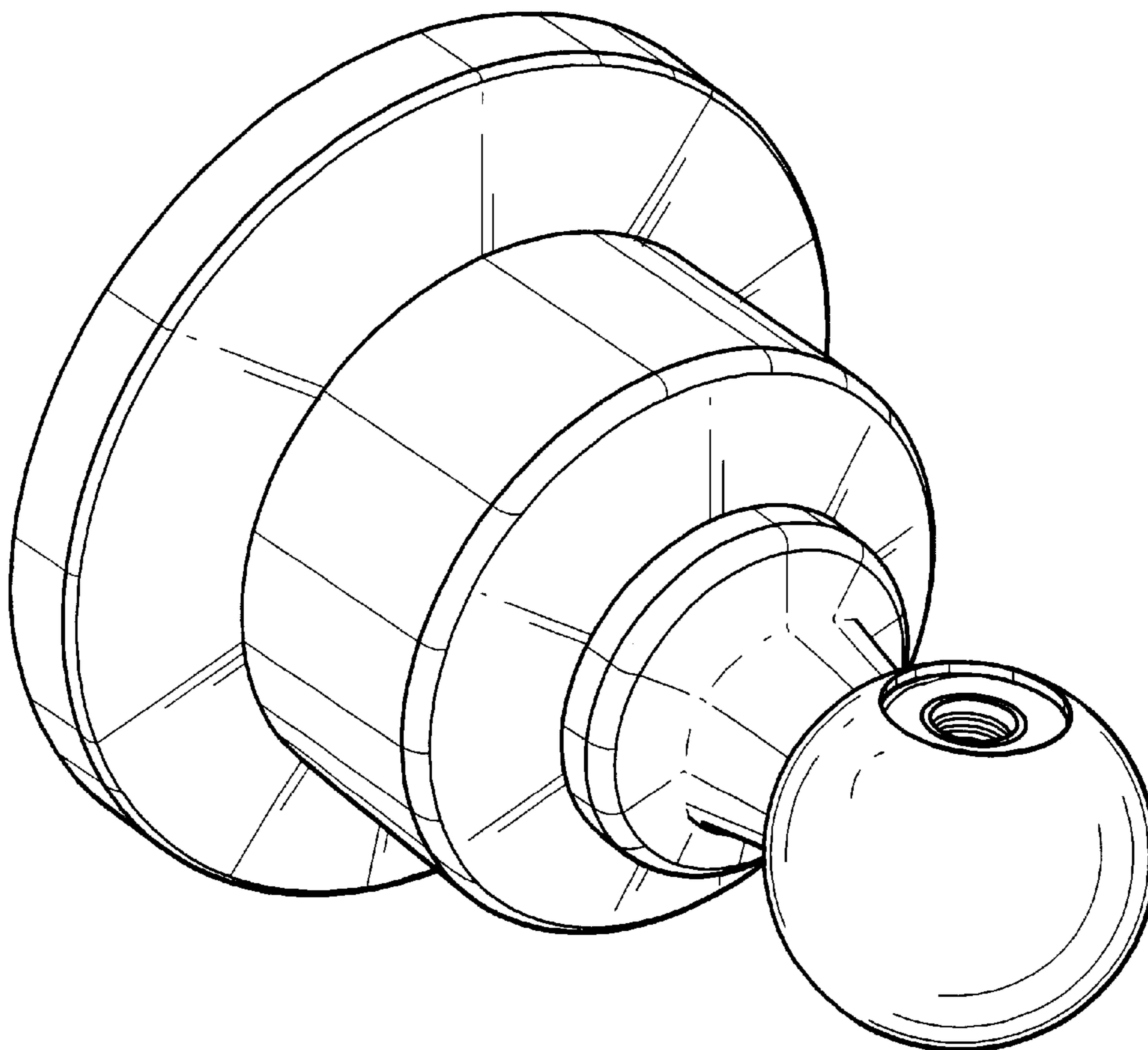
The broken-line disclosure in the views is for illustrative purposes only, and forms no part of the claimed design.

(56) **References Cited**

U.S. PATENT DOCUMENTS

D394,972 S * 6/1998 Moore et al. D6/550
D400,381 S * 11/1998 Solowiej et al. D6/550

1 Claim, 8 Drawing Sheets



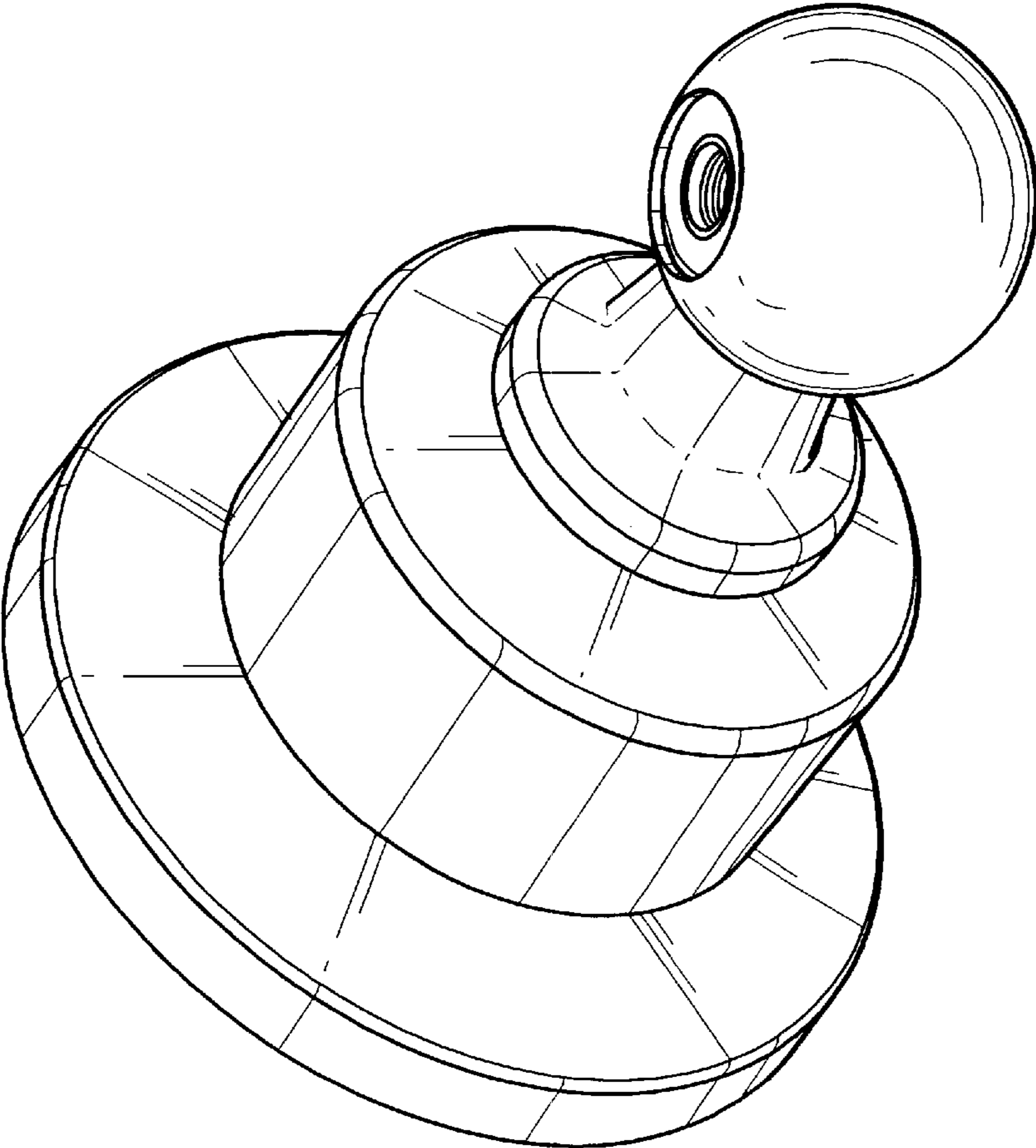


FIG. 1

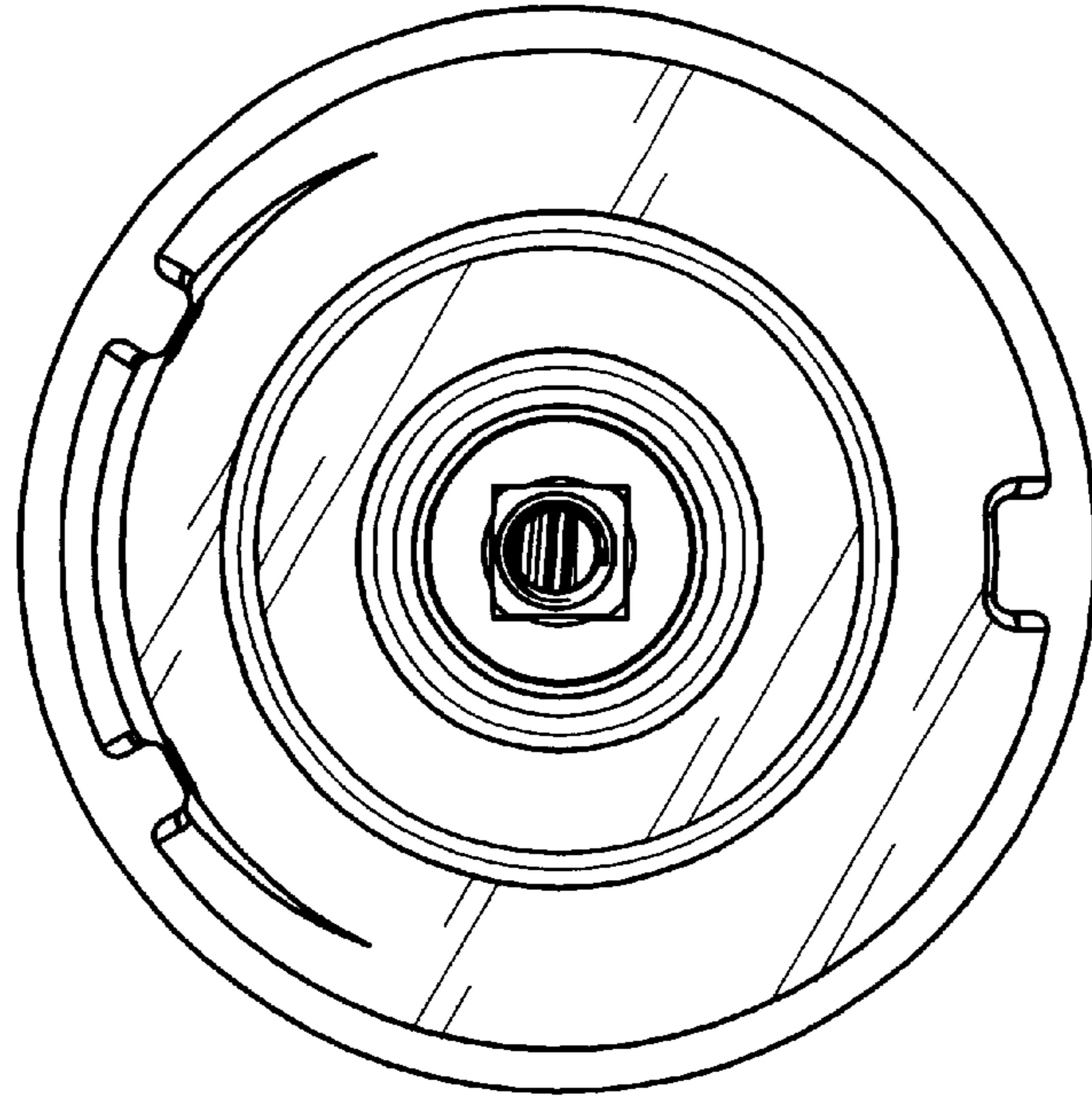


FIG. 3

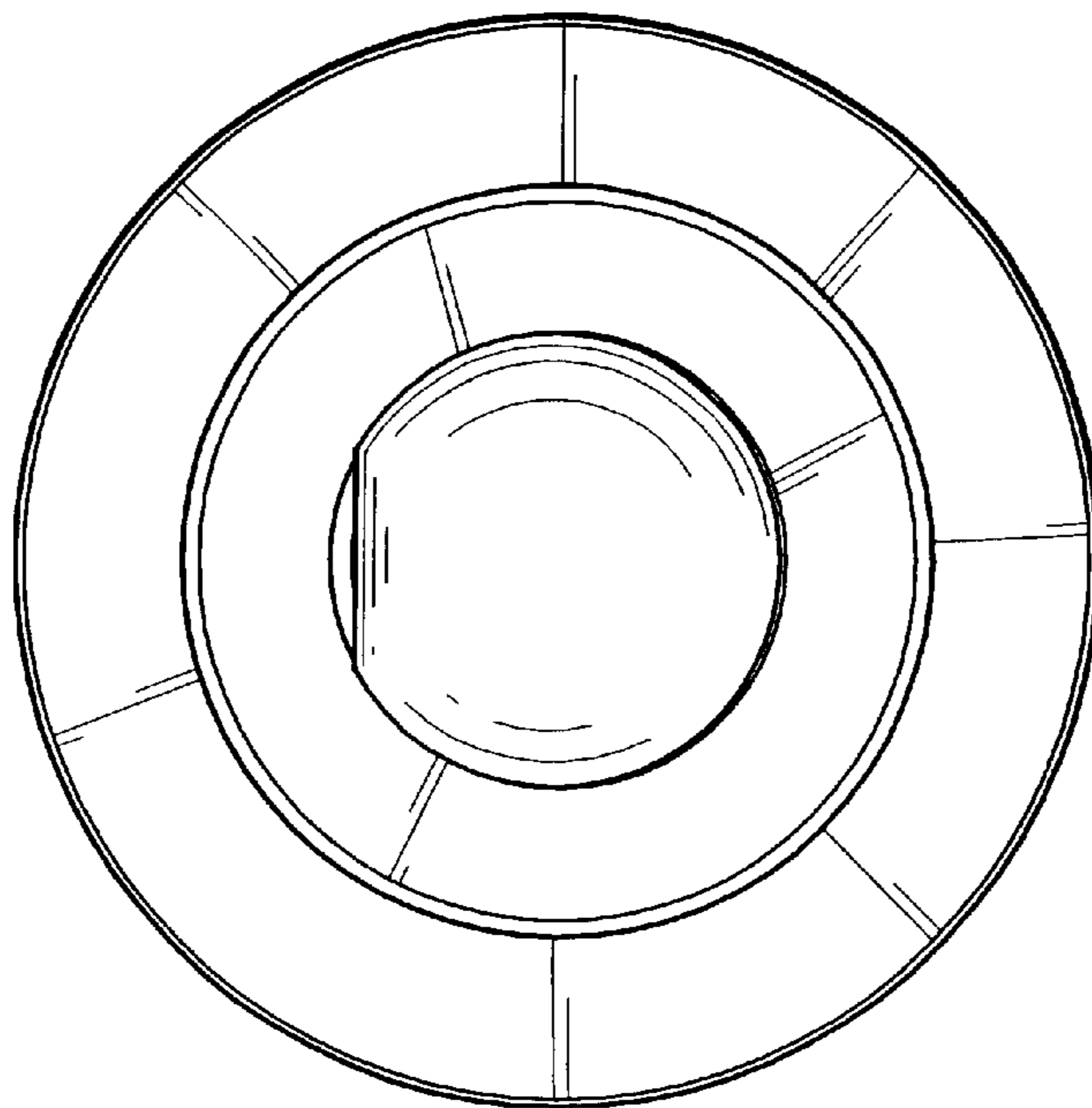


FIG. 2

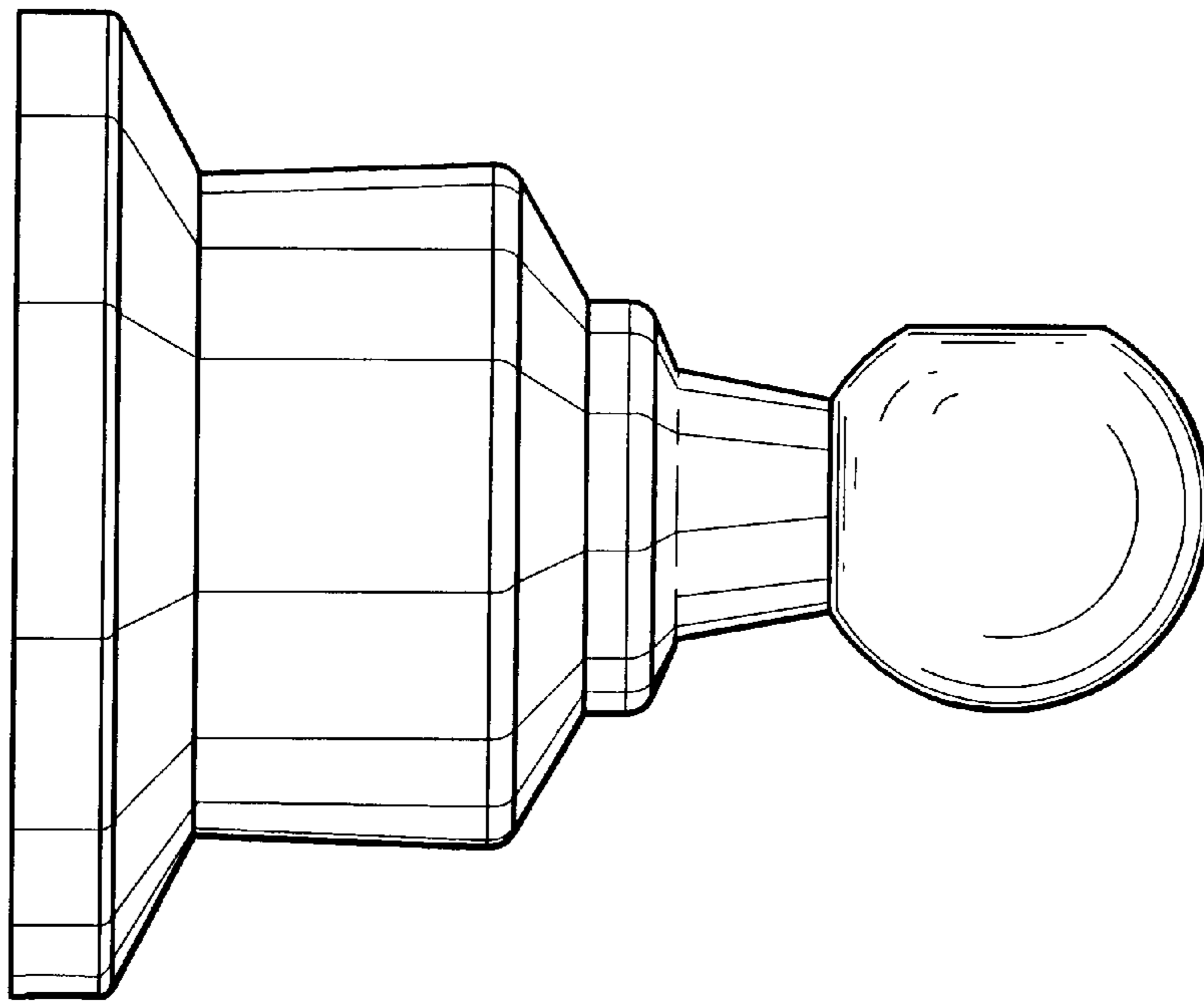


FIG. 4

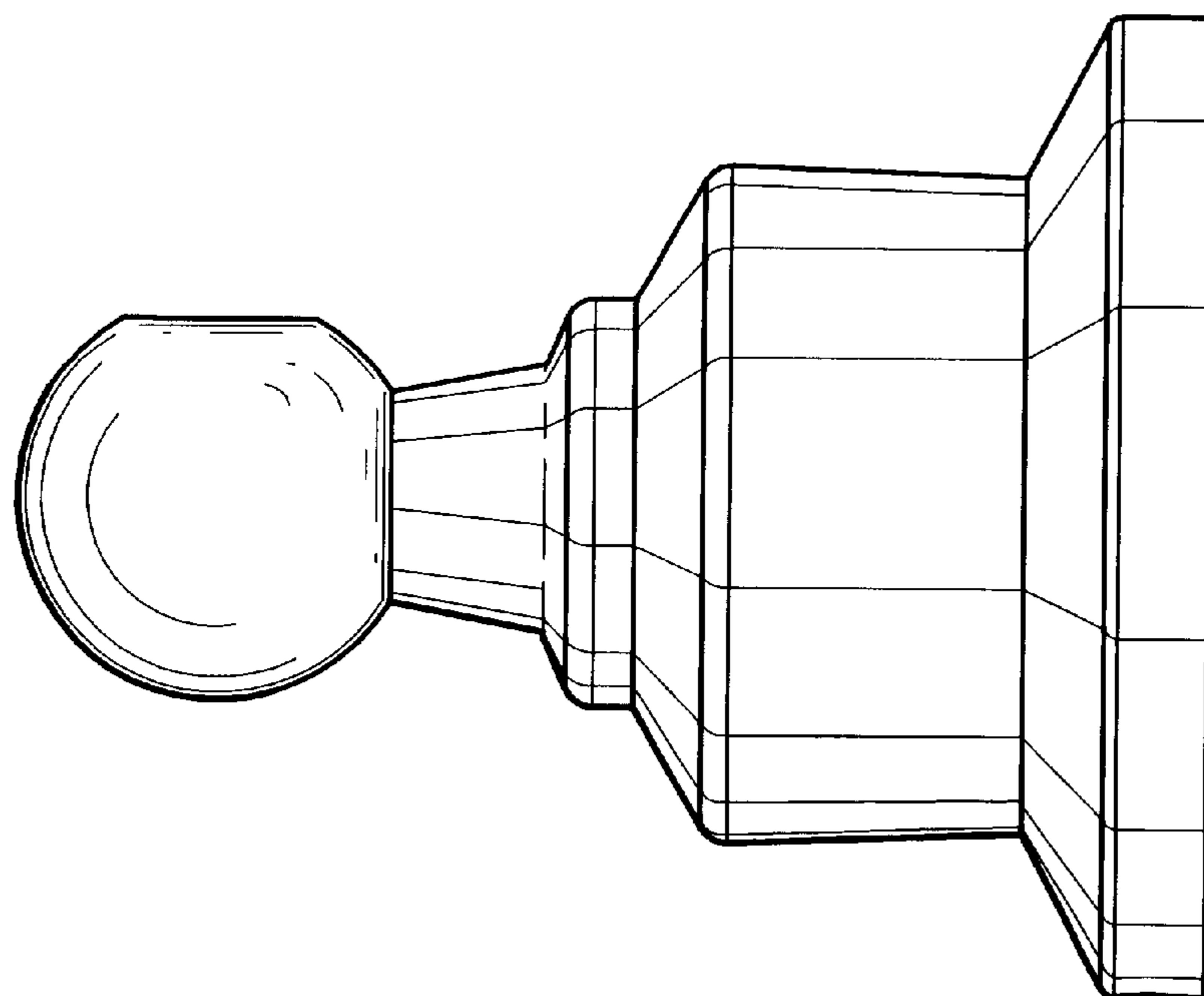


FIG. 5

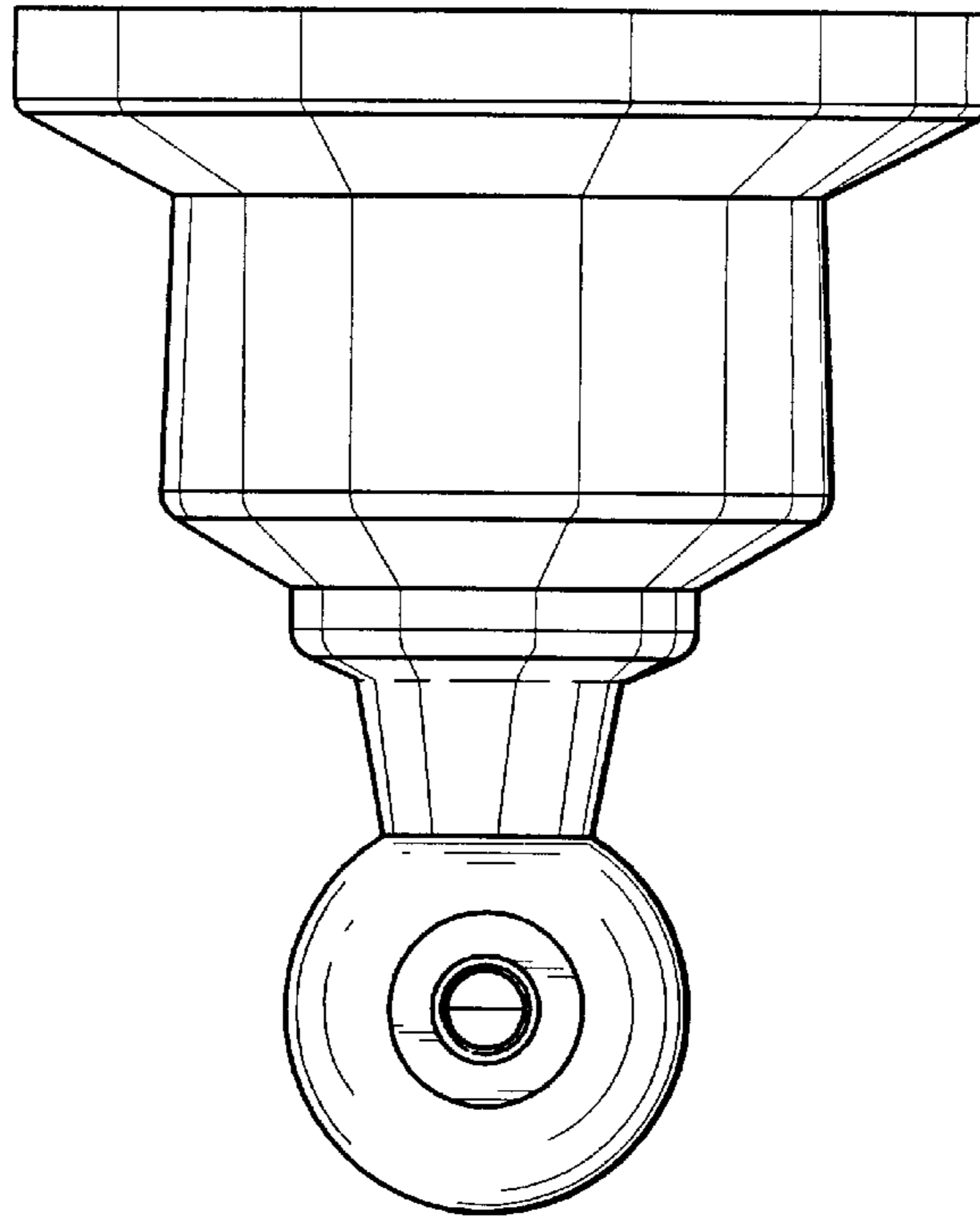


FIG. 6

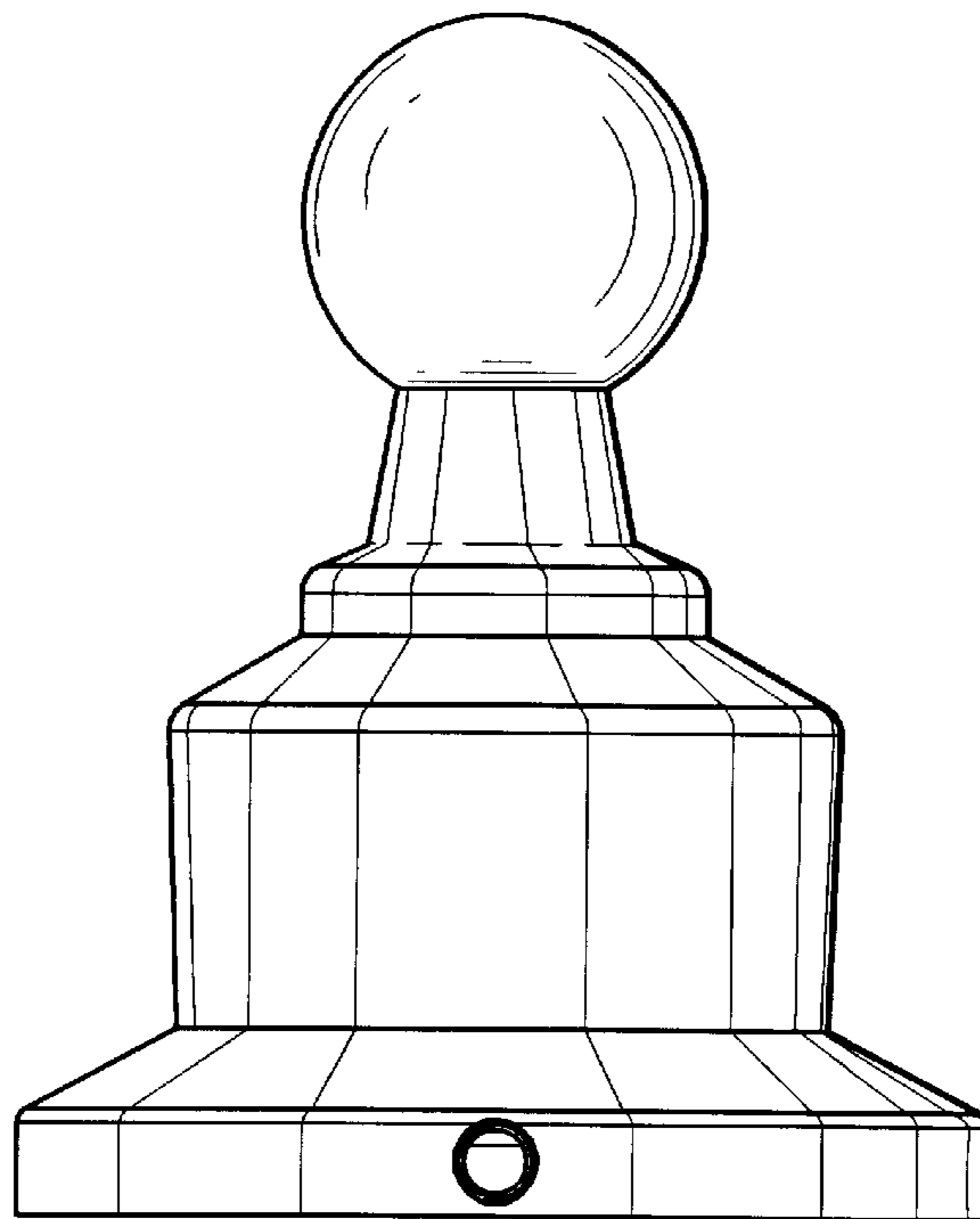


FIG. 7

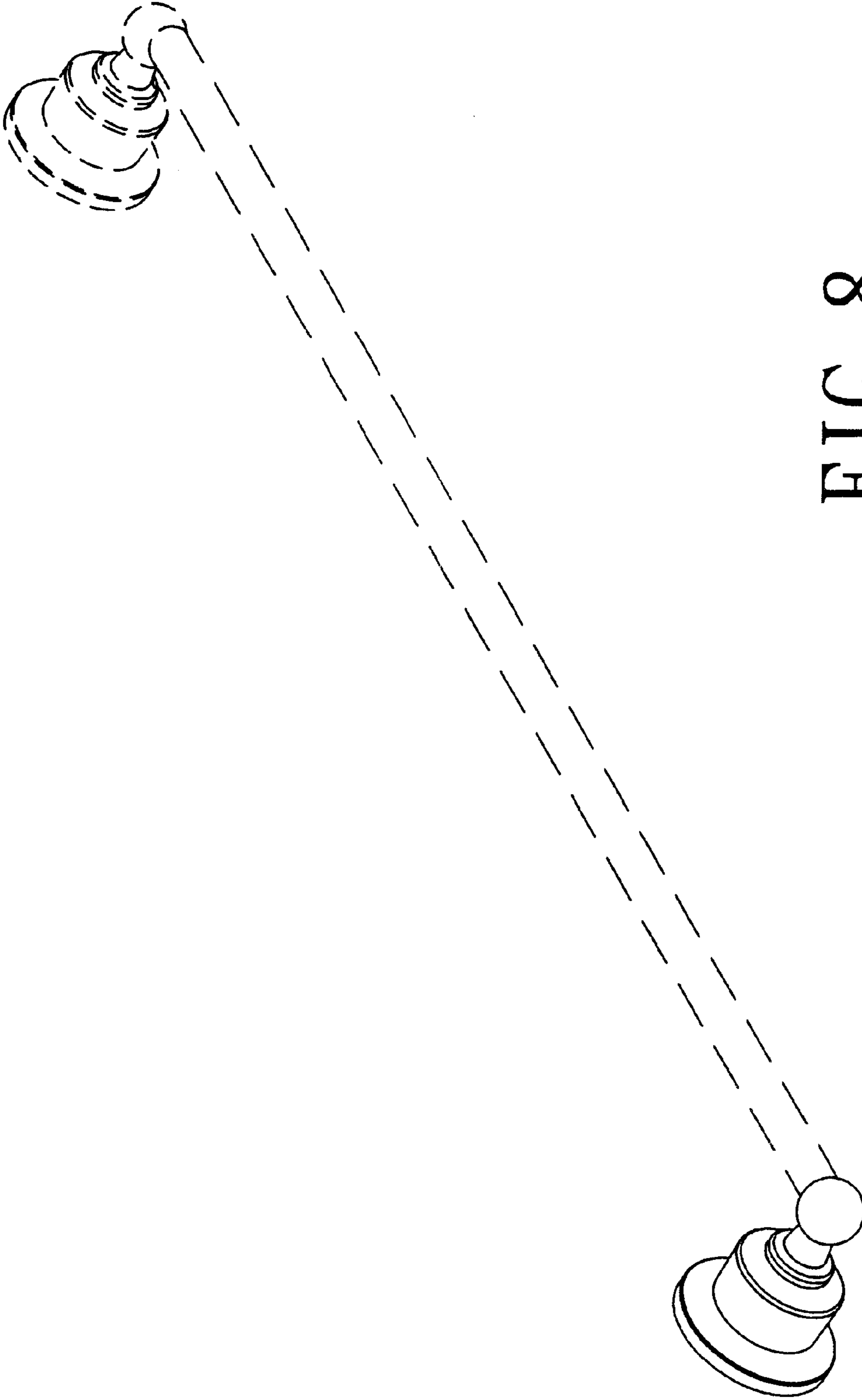


FIG. 8

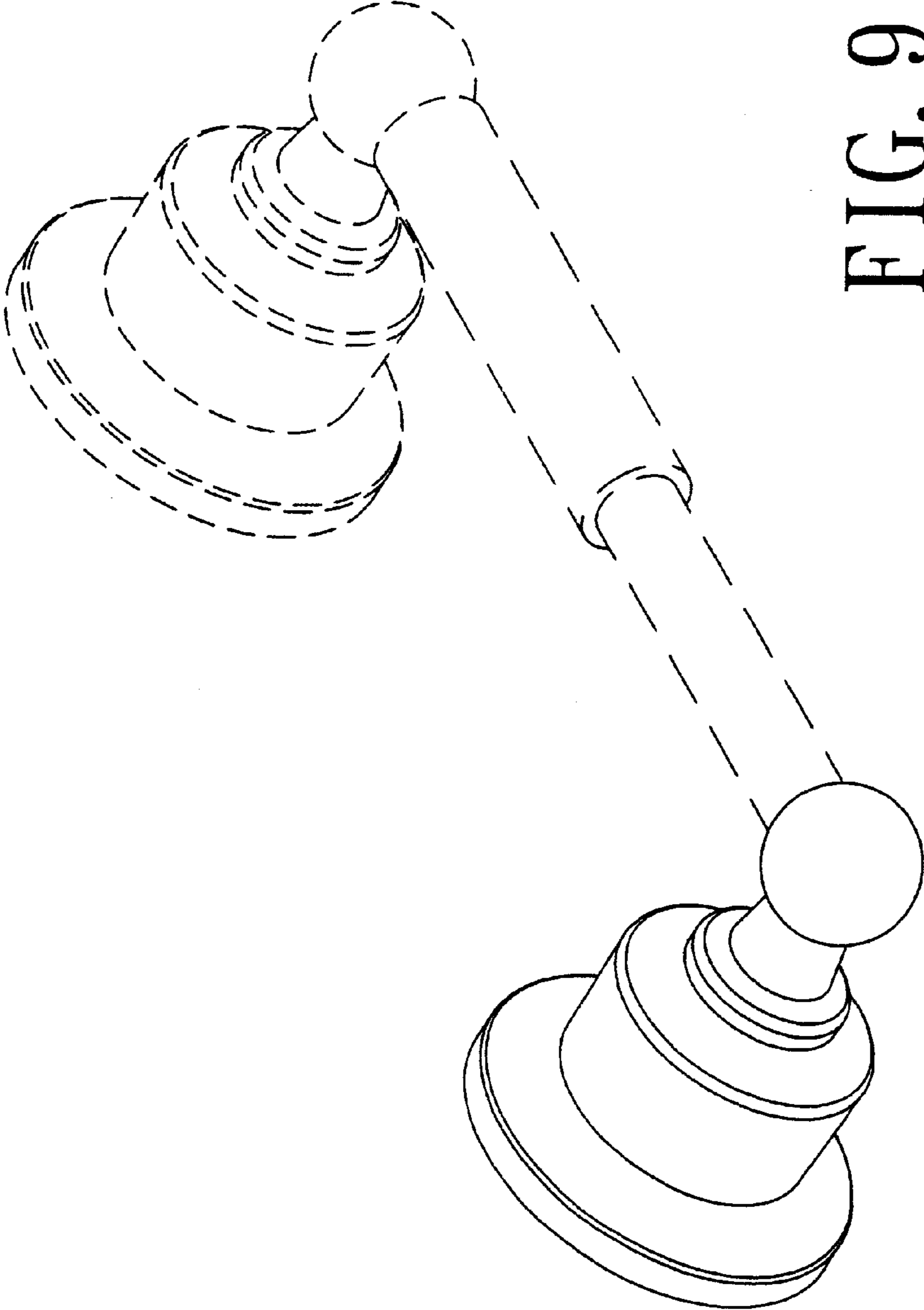


FIG. 9

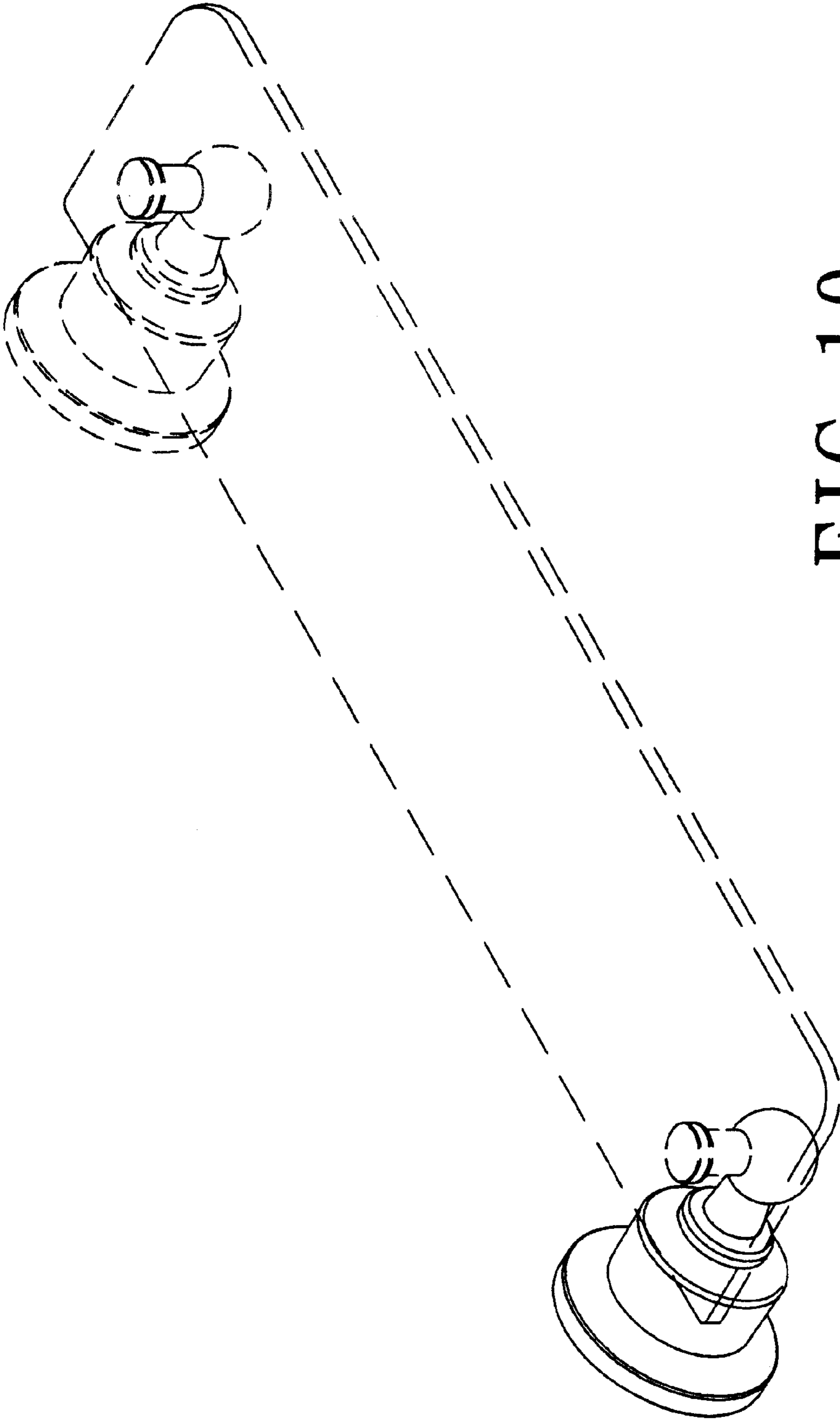


FIG. 10

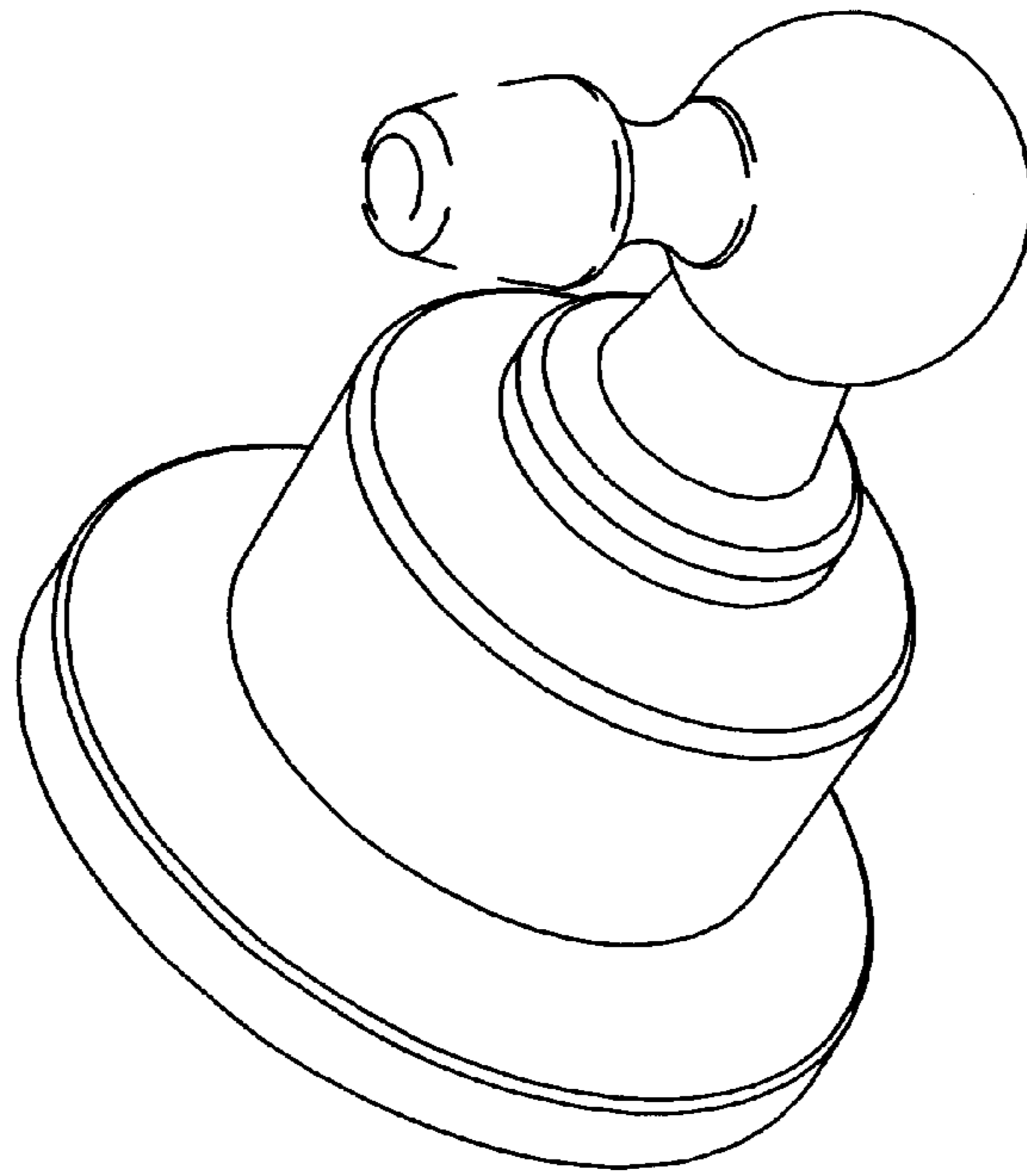


FIG. 11