



US00D518667S

(12) **United States Design Patent**  
**Joe et al.**

(10) **Patent No.:** **US D518,667 S**  
(45) **Date of Patent:** **\*\* Apr. 11, 2006**

(54) **TELEVISION RACK**

(75) Inventors: **Sung Gu Joe**, Seoul (KR); **Seh Dong Yoo**, Seoul (KR); **Seung Ho Oh**, Gyunggi-do (KR); **Young Jin Lee**, Seoul (KR)

(73) Assignee: **LG Electronics Inc.**, Seoul (KR)

(\*\*) **Term:** **14 Years**

(21) Appl. No.: **29/217,560**

(22) Filed: **Nov. 19, 2004**

(30) **Foreign Application Priority Data**

May 21, 2004 (KR) ..... 30-2004-0014937

(51) **LOC (8) Cl.** ..... **06-04**

(52) **U.S. Cl.** ..... **D6/479**

(58) **Field of Classification Search** ..... D6/460,  
D6/461, 468, 474, 477-479; 312/7.2, 9.1;  
108/59, 91, 92, 96; 211/40, 41.12, 42, 49.1,  
211/50, 85.2, 90.04, 187, 190, 119.003, 134,  
211/153, 87.01, 71.01

See application file for complete search history.

(56) **References Cited**

**U.S. PATENT DOCUMENTS**

D454,731 S \* 3/2002 Niitsu ..... D6/479

D477,159 S \* 7/2003 Niitsu ..... D6/479  
6,814,009 B1 \* 11/2004 Acevedo et al. .... 108/50.02  
D500,930 S \* 1/2005 Goto et al. .... D6/477  
D506,328 S \* 6/2005 Inoue ..... D6/477  
2003/0066463 A1 \* 4/2003 Acevedo et al. .... 108/50.02

\* cited by examiner

*Primary Examiner*—Cathron C. Brooks

(74) *Attorney, Agent, or Firm*—Birch, Stewart, Kolasch & Birch, LLP

(57) **CLAIM**

The ornamental design for a television rack, as shown and described.

**DESCRIPTION**

FIG. 1 is a front, right perspective view of the television rack showing our new design;

FIG. 2 is a front view thereof;

FIG. 3 is a rear view thereof;

FIG. 4 is a left side view thereof;

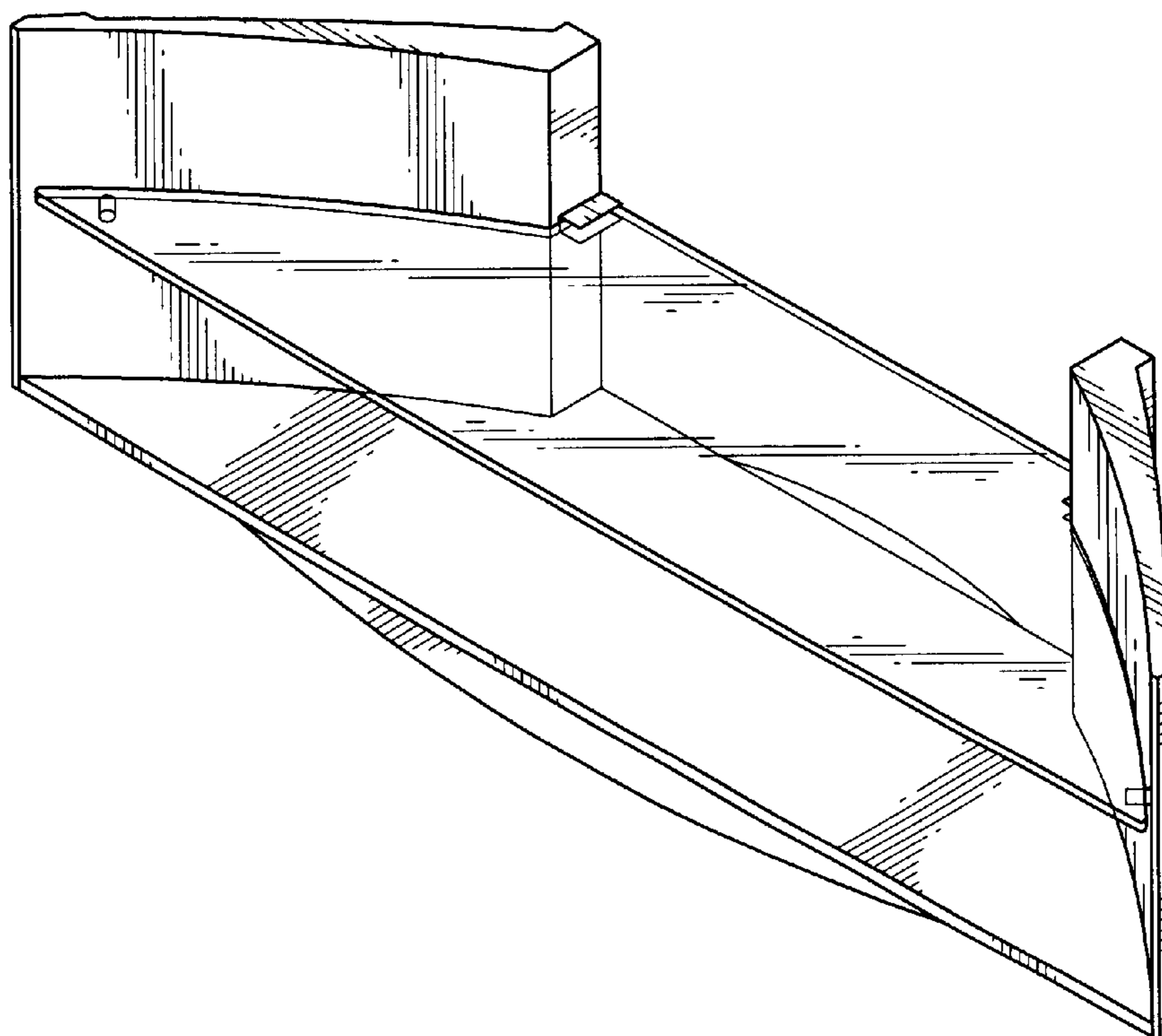
FIG. 5 is a top view thereof;

FIG. 6 is a bottom view thereof; and,

FIG. 7 is a front, right view showing the present design supporting a television thereof.

The broken line showing of environmental structure is for illustrative purposes only and forms no part of the claimed design.

**1 Claim, 4 Drawing Sheets**



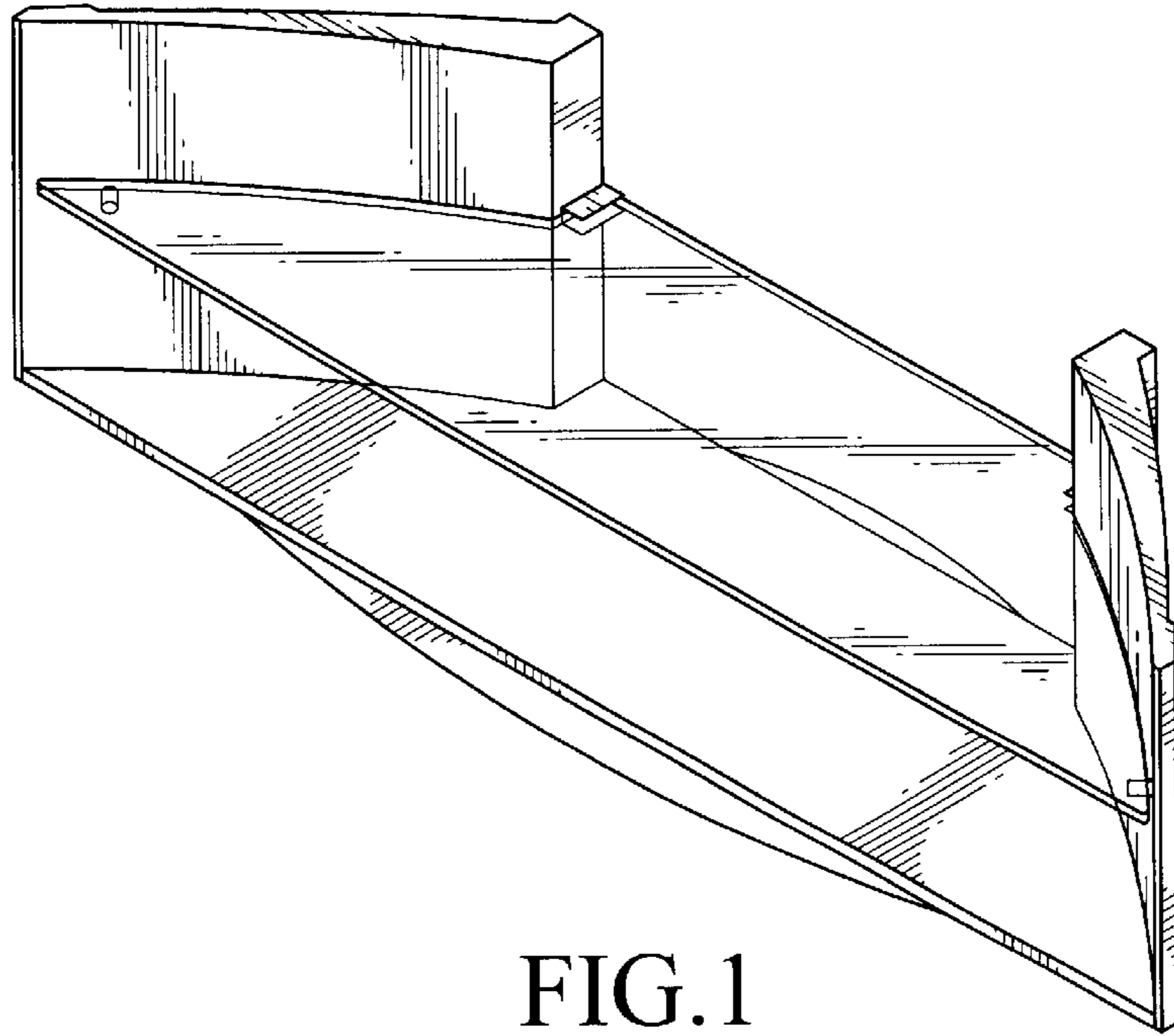


FIG.1



FIG.2

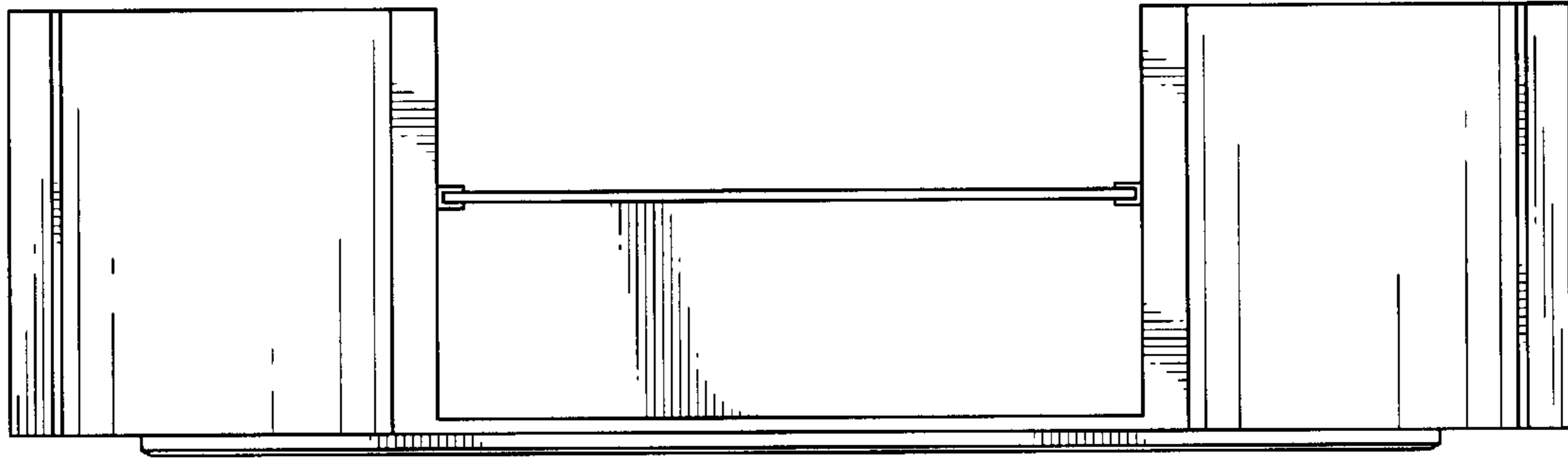


FIG. 3

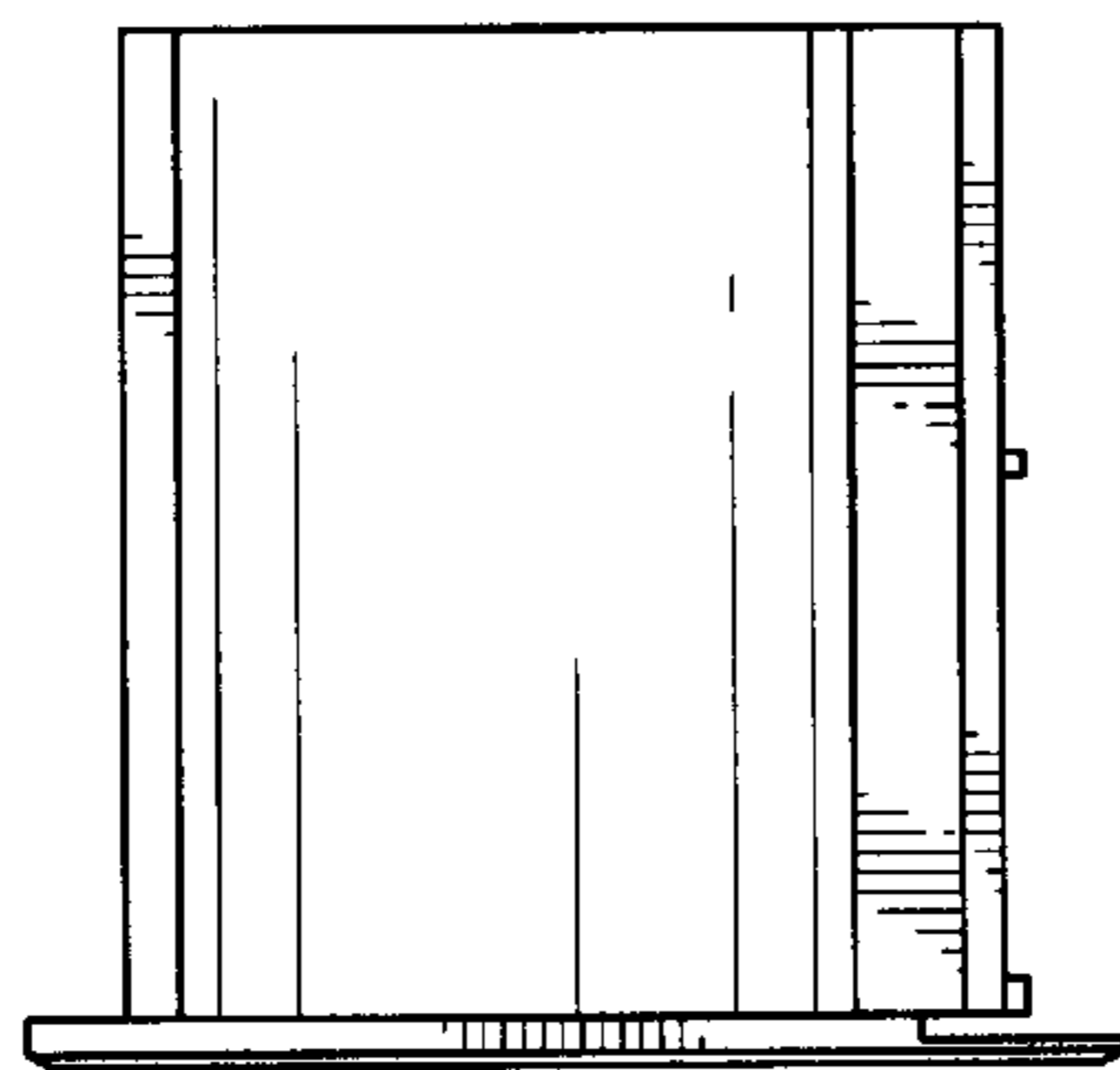


FIG. 4

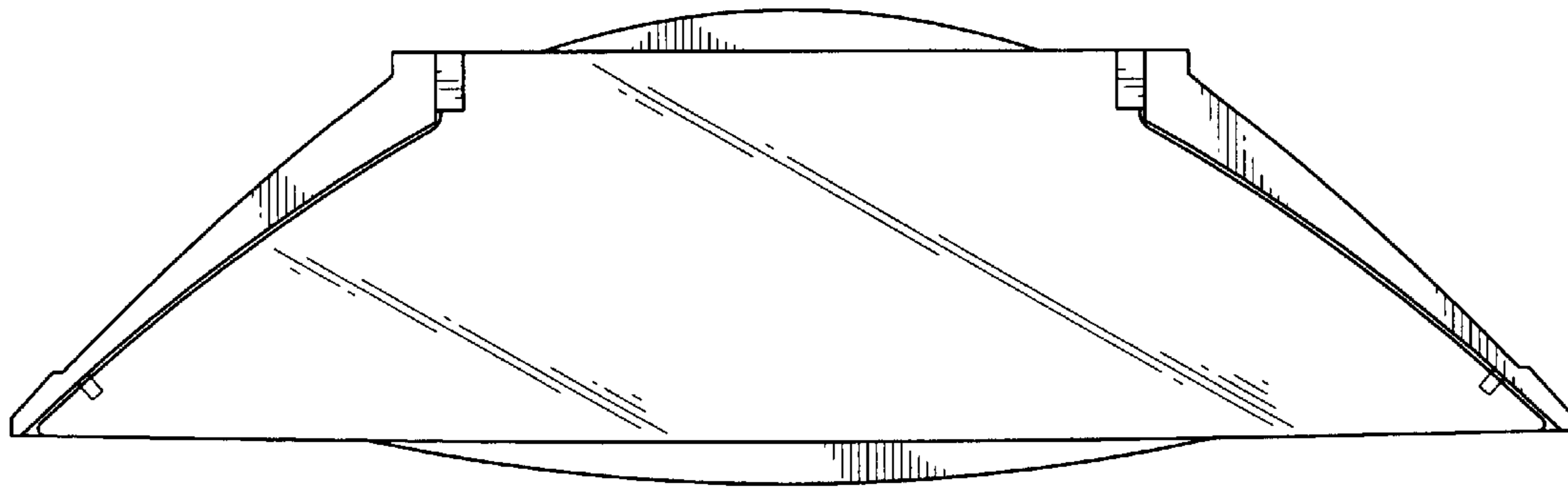


FIG. 5

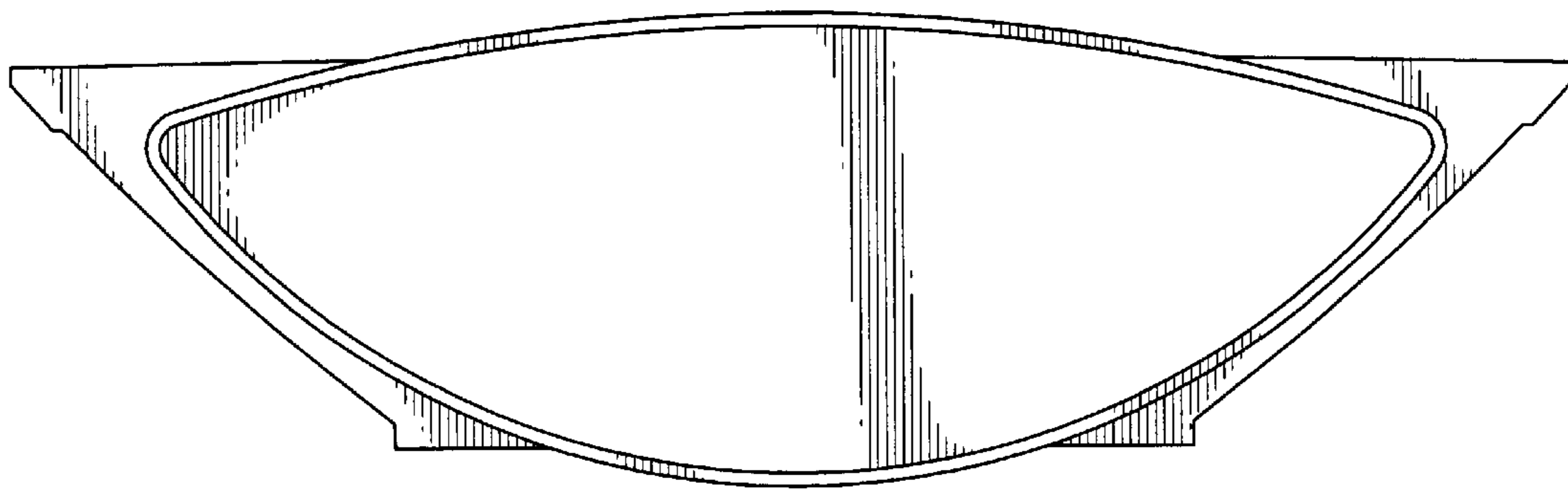


FIG. 6

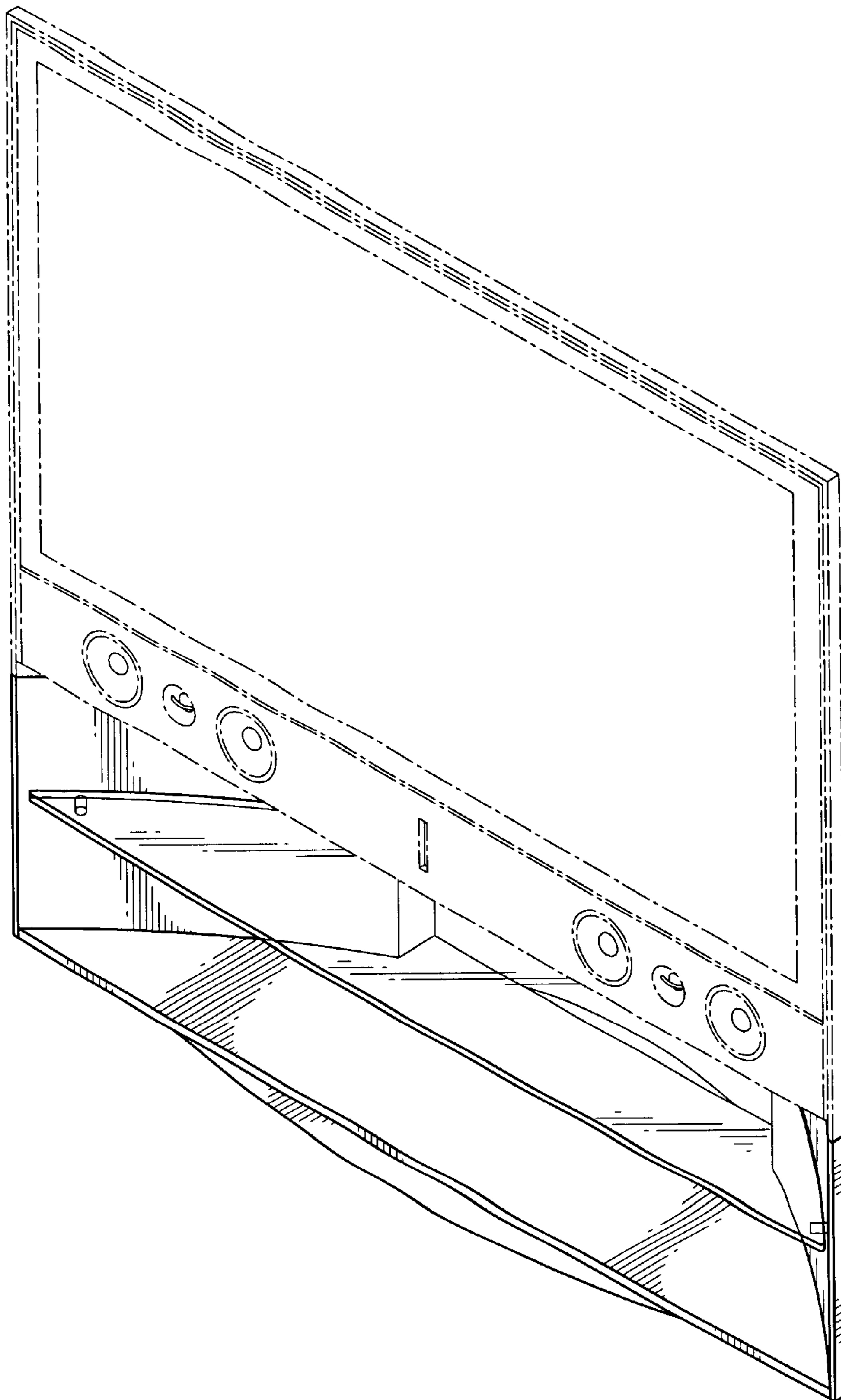


FIG. 7