



US00D518664S

(12) **United States Design Patent**  
**Villalobos et al.**

(10) **Patent No.:** **US D518,664 S**  
(45) **Date of Patent:** **\*\* Apr. 11, 2006**

- (54) **BASE FOR A TELEVISION SET**
- (75) Inventors: **Ernesto Villalobos**, Chula Vista, CA  
(US); **Sage Baker**, San Diego, CA  
(US); **Masaaki Goto**, Niihama (JP)
- (73) Assignee: **Matsushita Electric Industrial Co., Ltd.**, Osaka (JP)
- (\*\*) Term: **14 Years**
- (21) Appl. No.: **29/218,676**
- (22) Filed: **Dec. 6, 2004**
- (51) **LOC (8) Cl.** ..... **06-04**
- (52) **U.S. Cl.** ..... **D6/477**
- (58) **Field of Classification Search** ..... D6/460,  
D6/461, 468, 474, 477-479; 312/7.2, 9.1;  
108/59, 91, 92, 96; 211/40, 41.12, 42, 49.1,  
211/50, 85.2, 90.04, 187, 190, 119.003, 134.153,  
211/87.01, 71.01  
See application file for complete search history.

- JP D1120806 9/2001
- JP D1133226 2/2002
- JP D1166535 3/2003
- JP D1166550 3/2003
- JP D1181224 8/2003
- JP D1203798 4/2004

\* cited by examiner

*Primary Examiner*—Cathron C. Brooks  
(74) *Attorney, Agent, or Firm*—Brinks Hofer Gilson & Lione

(57) **CLAIM**

We claim the ornamental design for a base for a television set, as shown and described.

**DESCRIPTION**

- FIG. 1 is a front perspective view of a base for a television set of the present invention;
- FIG. 2 is a rear perspective view thereof;
- FIG. 3 is a front view thereof;
- FIG. 4 is a first side view thereof;
- FIG. 5 is a rear view thereof;
- FIG. 6 is a second side view thereof;
- FIG. 7 is a top view thereof; and,
- FIG. 8 is a bottom view thereof.

The ornamental design which is claimed is shown in solid lines in the drawings. Any broken lines in the drawings are for illustrative purposes only and form no part of the claimed design.

(56) **References Cited**

U.S. PATENT DOCUMENTS

- D454,731 S \* 3/2002 Niitsu ..... D6/479
- D477,159 S \* 7/2003 Niitsu ..... D6/479
- D477,292 S 7/2003 Inoue et al.
- 6,814,009 B1 \* 11/2004 Acevedo et al. .... 108/50.02
- D500,930 S \* 1/2005 Goto et al. .... D6/477
- D506,328 S \* 6/2005 Inoue ..... D6/477
- 2003/0066463 A1 \* 4/2003 Acevedo et al. .... 108/50.02

FOREIGN PATENT DOCUMENTS

- JP D1104123 3/2001

**1 Claim, 4 Drawing Sheets**

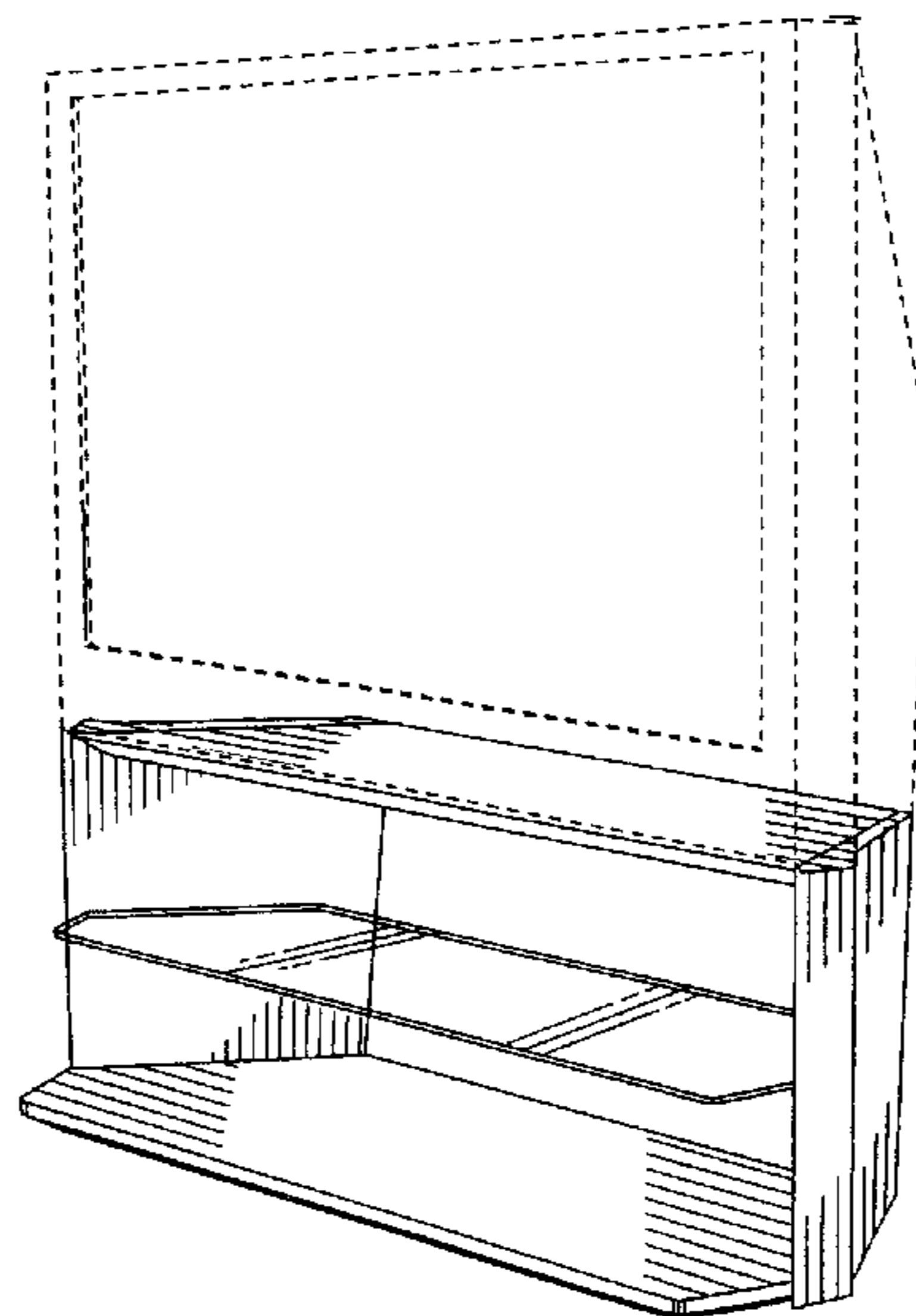


Fig. 1

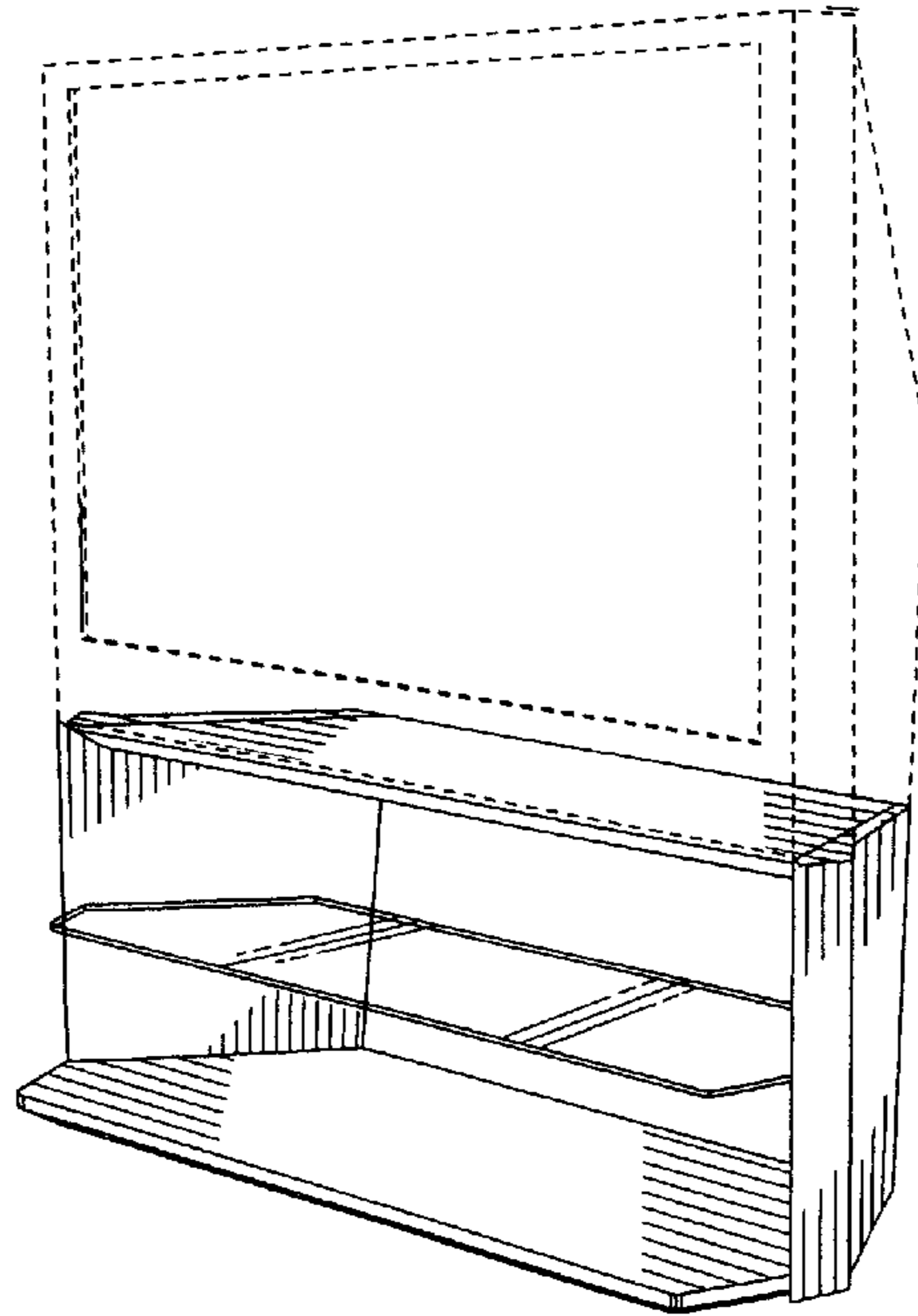


Fig. 2

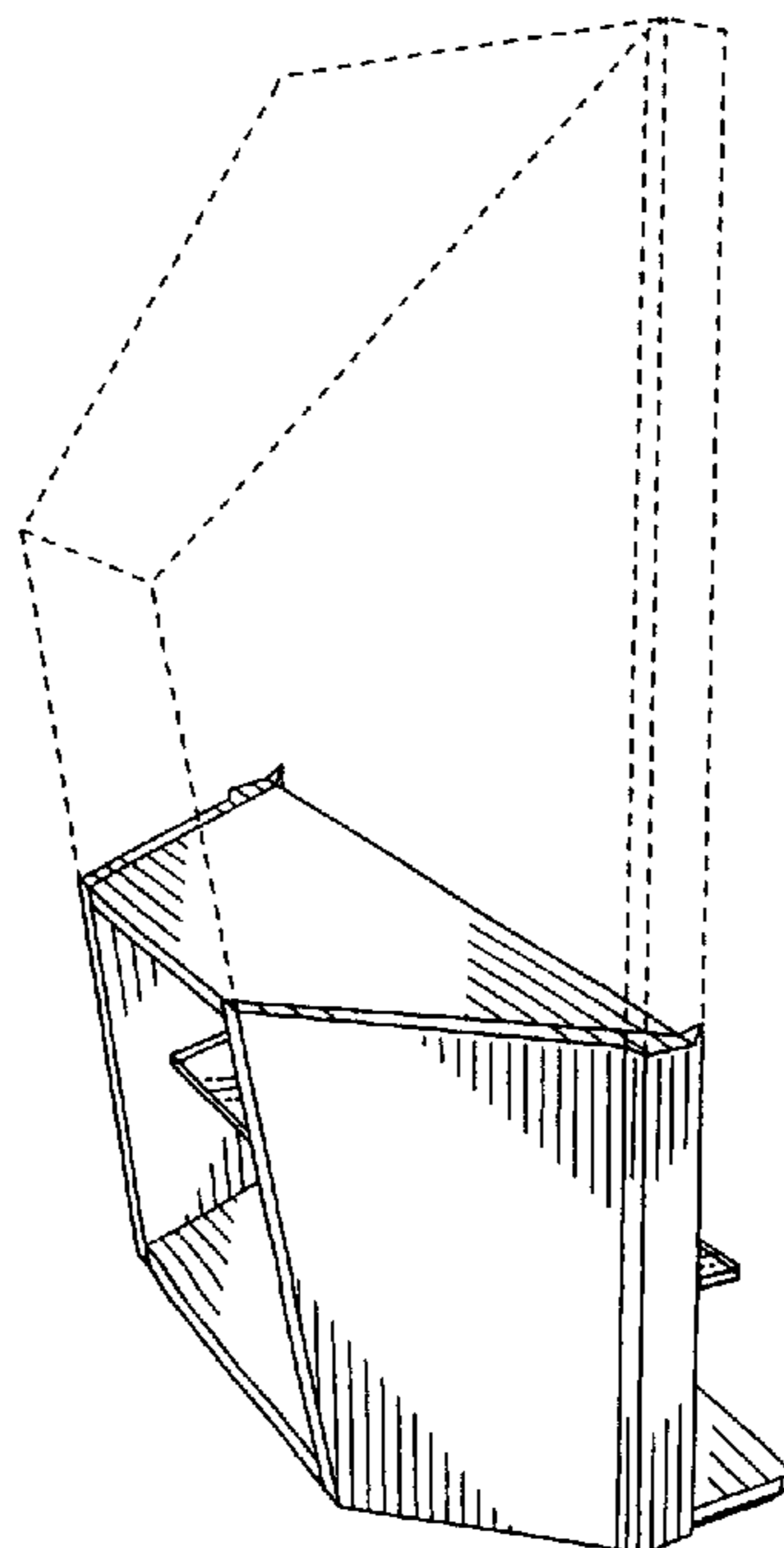


Fig.3

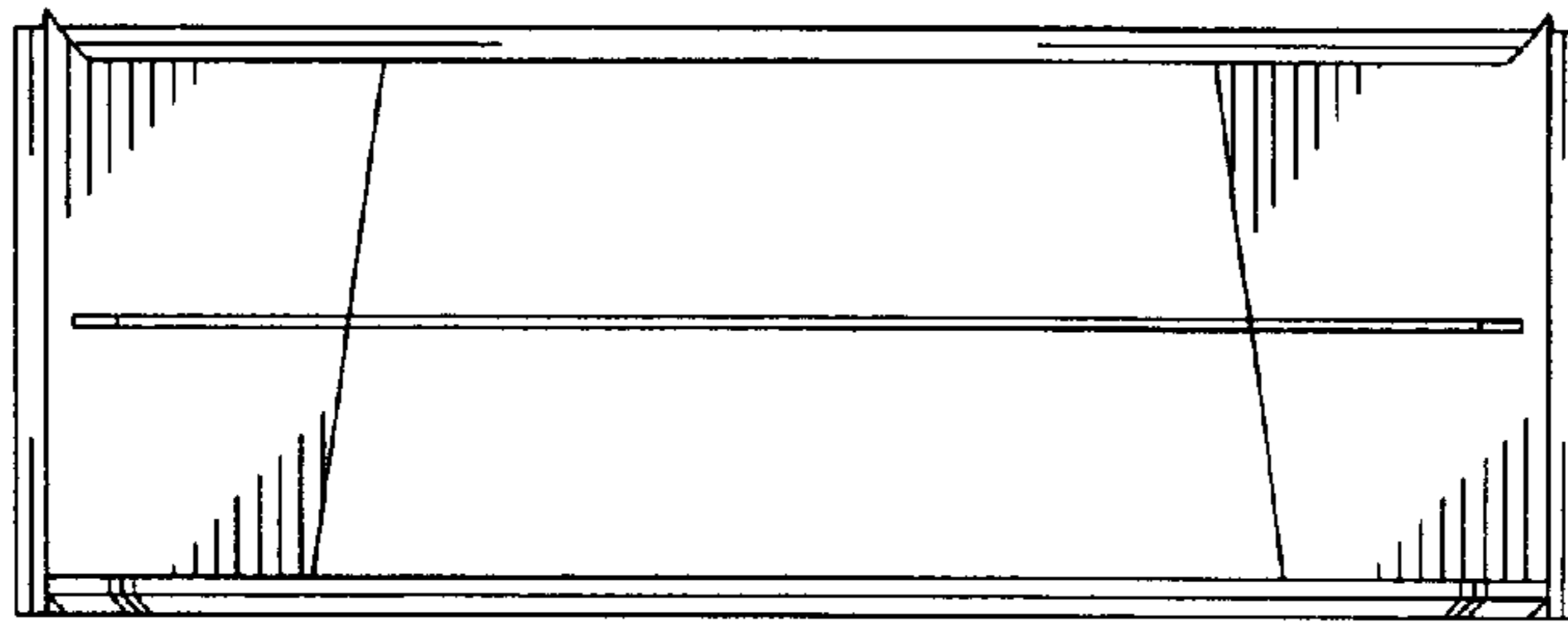


Fig.4

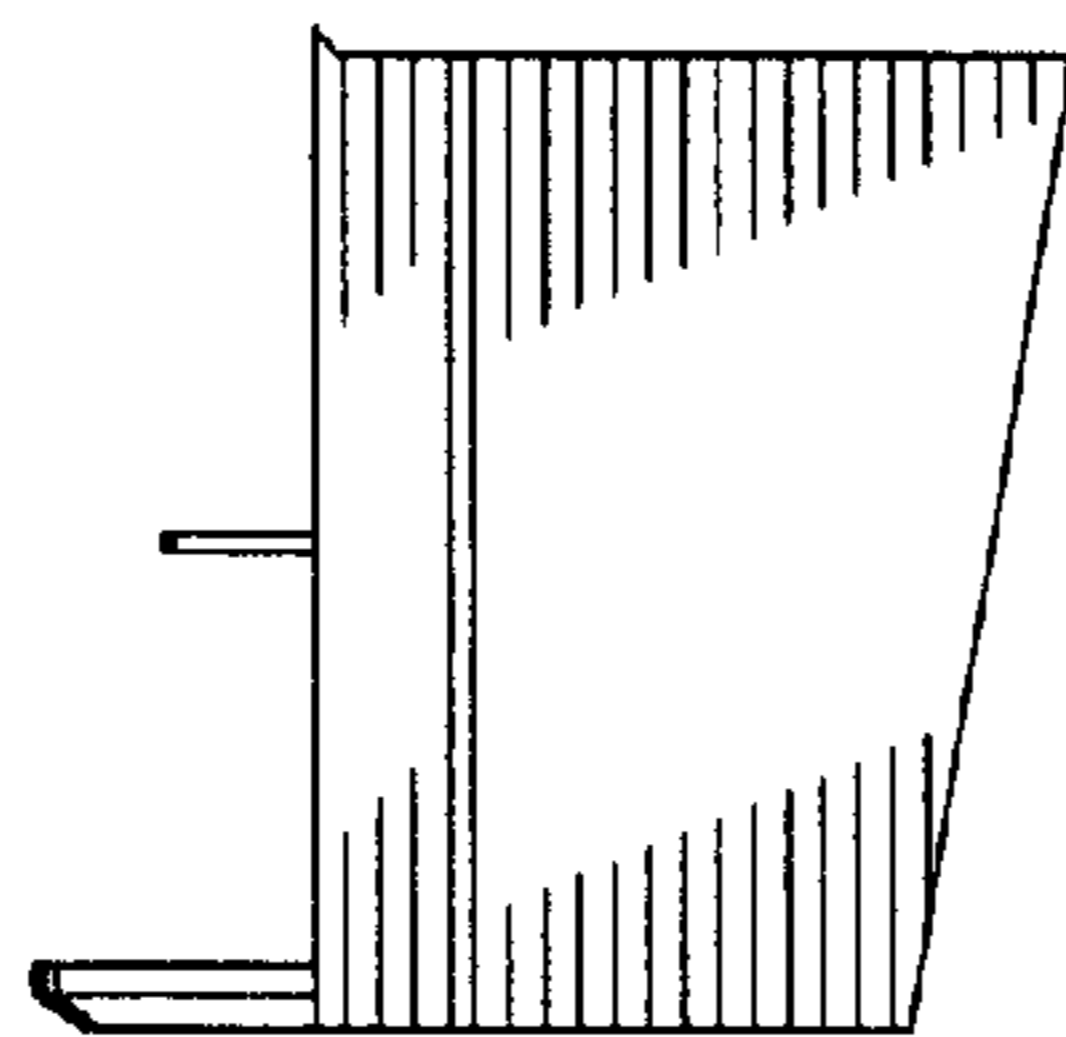


Fig.5

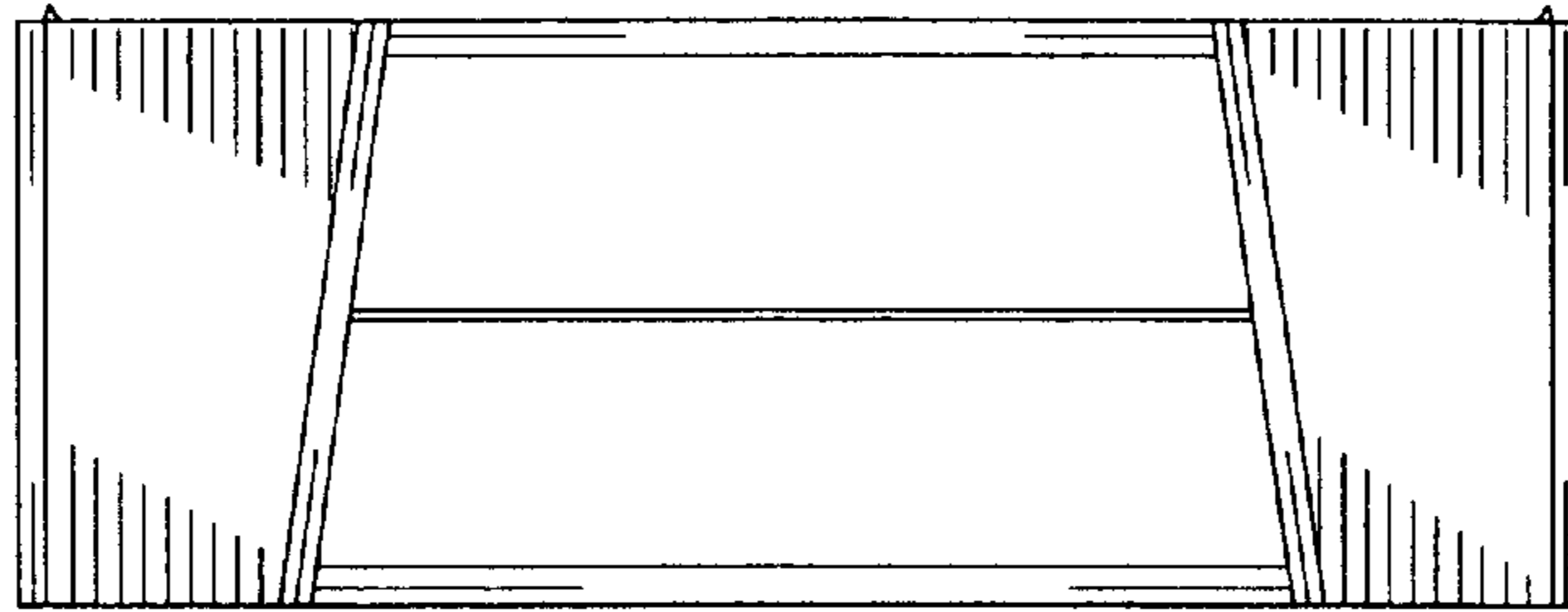


Fig.6

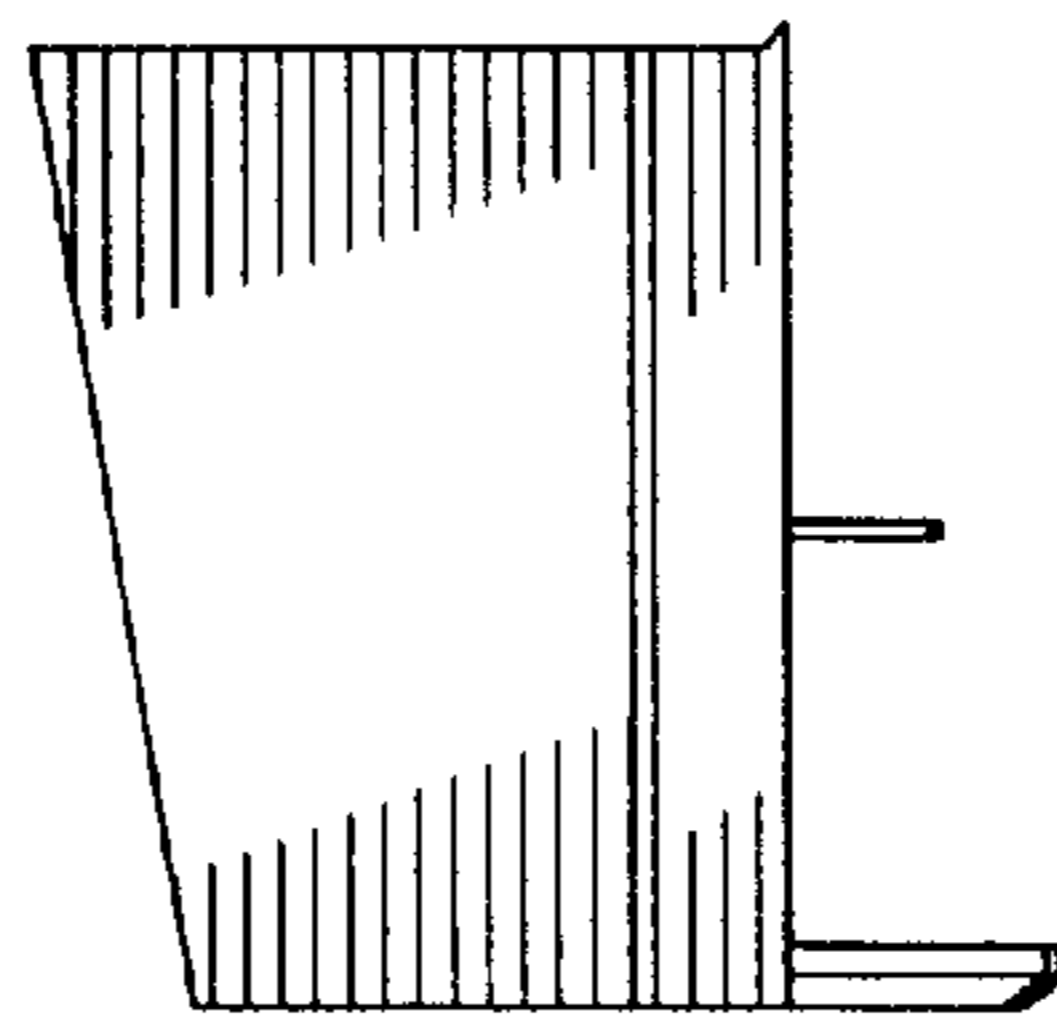


Fig7

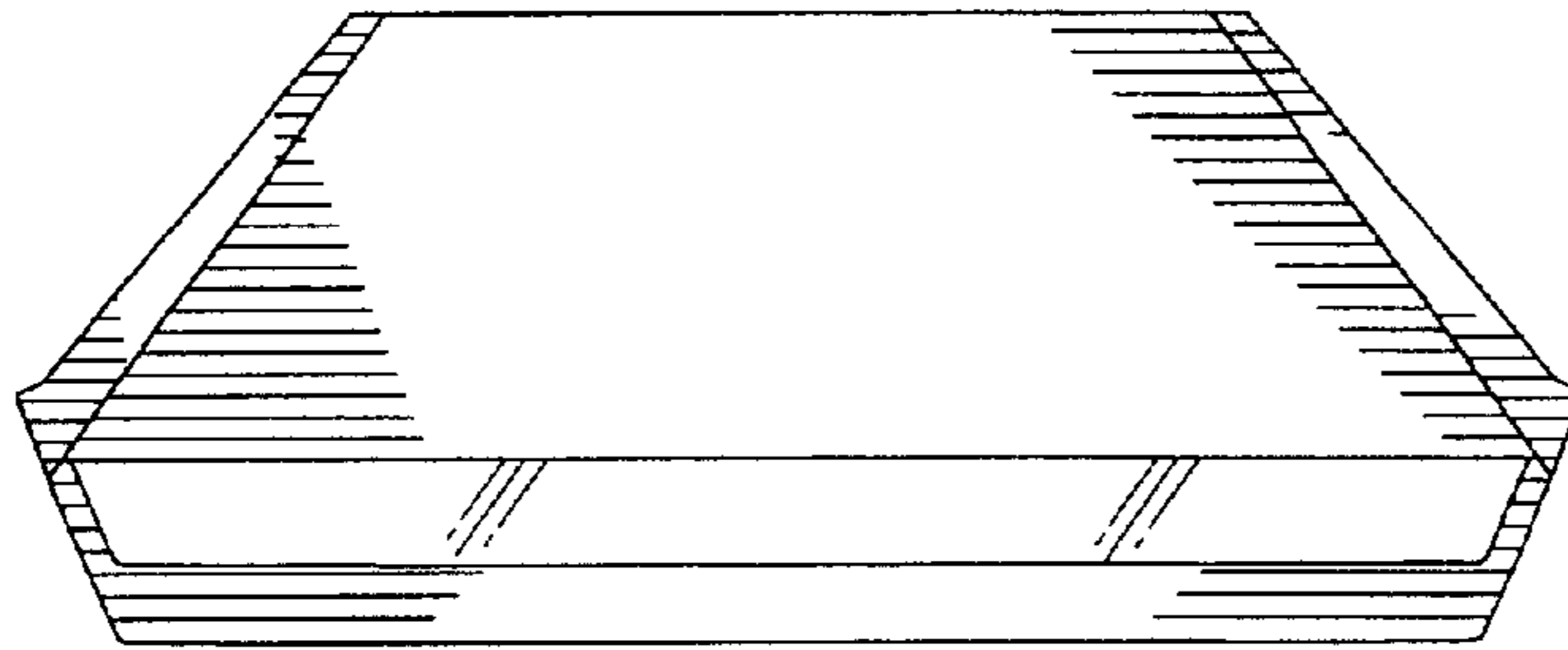


Fig.8

