

US00D518655S

(12) **United States Design Patent**
Grosfillex

(10) **Patent No.:** **US D518,655 S**

(45) **Date of Patent:** **** Apr. 11, 2006**

(54) **RECLINING LOUNGE CHAIR**

(75) Inventor: **Raymond Grosfillex**, Oyonnax (FR)

(73) Assignee: **Grosfillex Sarl**, Oyonnax (FR)

(**) Term: **14 Years**

(21) Appl. No.: **29/206,948**

(22) Filed: **Jun. 8, 2004**

(30) **Foreign Application Priority Data**

Dec. 15, 2003 (FR) DMA/006 171

(51) **LOC (8) Cl.** **06-01**

(52) **U.S. Cl.** **D6/361**

(58) **Field of Classification Search** D6/334,
D6/335, 360, 361, 367, 368, 369, 370, 376,
D6/374, 375, 500-502; 297/377, 452.13,
297/452.63, 452.64

See application file for complete search history.

(56) **References Cited**

U.S. PATENT DOCUMENTS

2,696,869	A	*	12/1954	Schlaak	297/452.13
D175,624	S	*	9/1955	Laskowitz	D6/361
D286,709	S	*	11/1986	Schultz	D6/361
D302,768	S	*	8/1989	Grosfillex	D6/361
D327,377	S	*	6/1992	Grosfillex	D6/370
D332,705	S	*	1/1993	Rougerie	D6/361

D343,069	S	*	1/1994	Trudo et al.	D6/361
D365,452	S	*	12/1995	Krause et al.	D6/361
D372,798	S	*	8/1996	Robertson et al.	D6/361
D376,268	S	*	12/1996	Grosfillex	D6/368
D385,118	S	*	10/1997	Grosfillex	D6/361
D404,582	S	*	1/1999	Robertson, Jr. et al.	D6/361
D414,616	S	*	10/1999	Walters	D6/361

* cited by examiner

Primary Examiner—Mimosa De

(74) *Attorney, Agent, or Firm*—Dowell & Dowell, P.C.

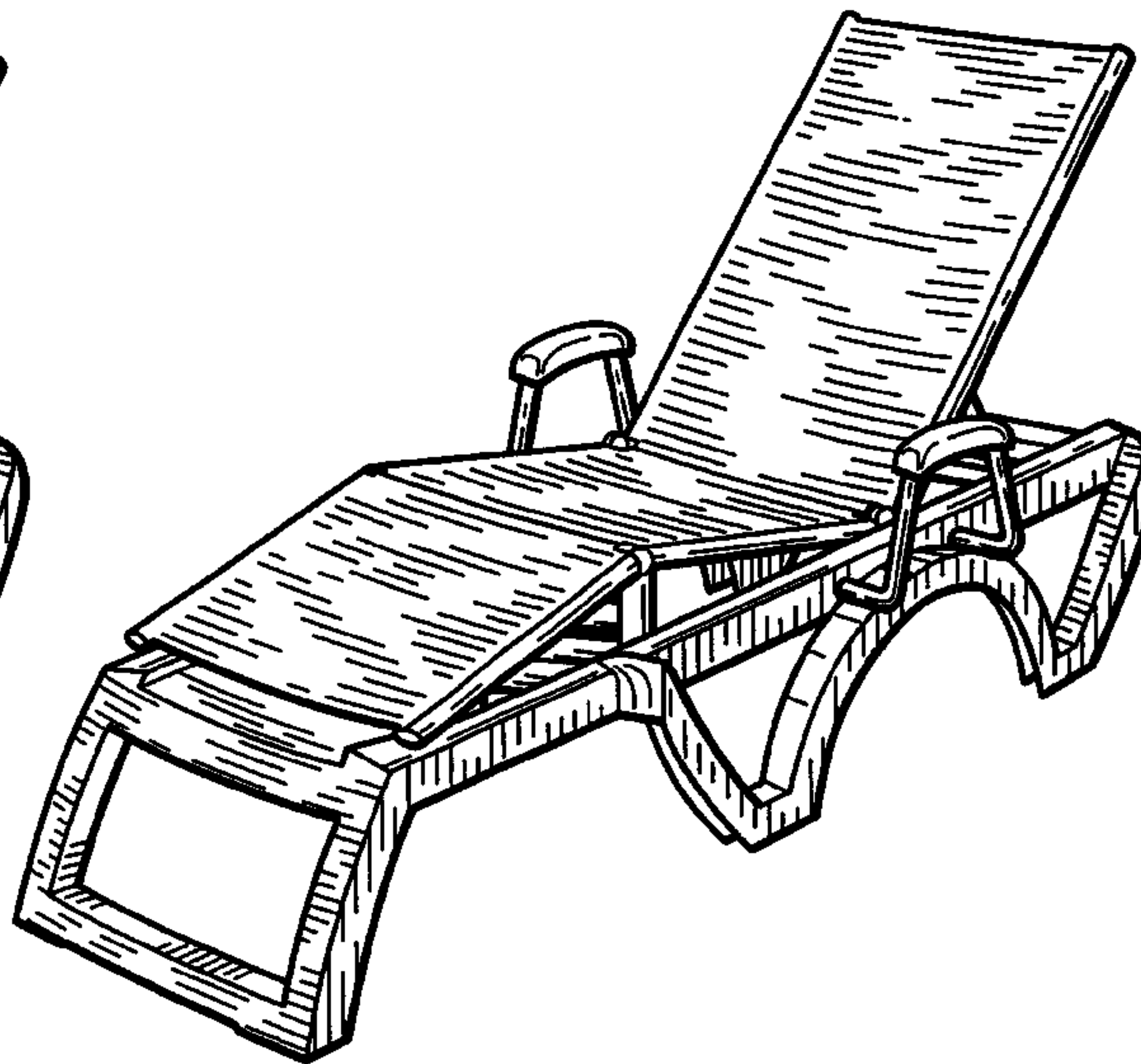
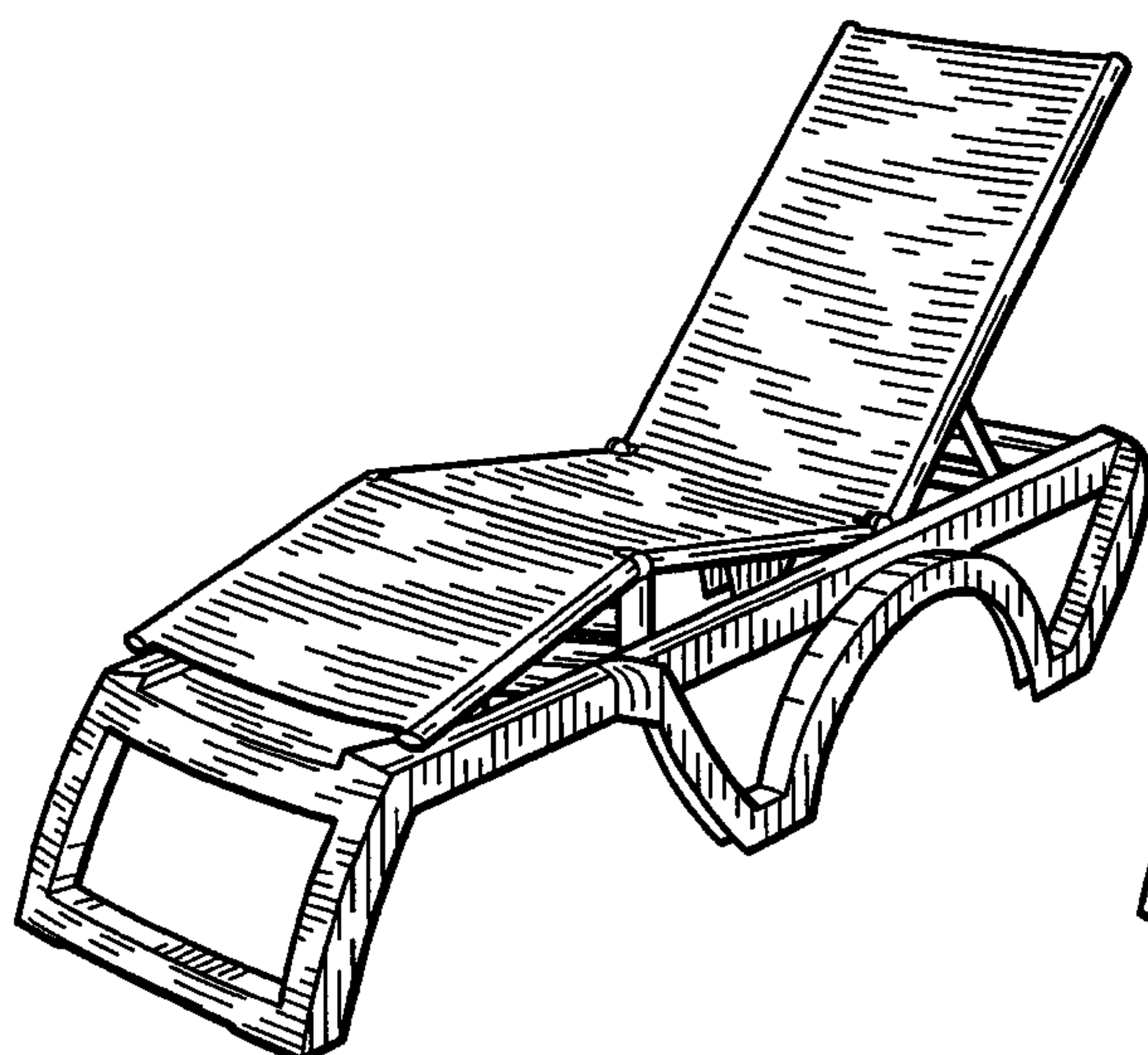
(57) **CLAIM**

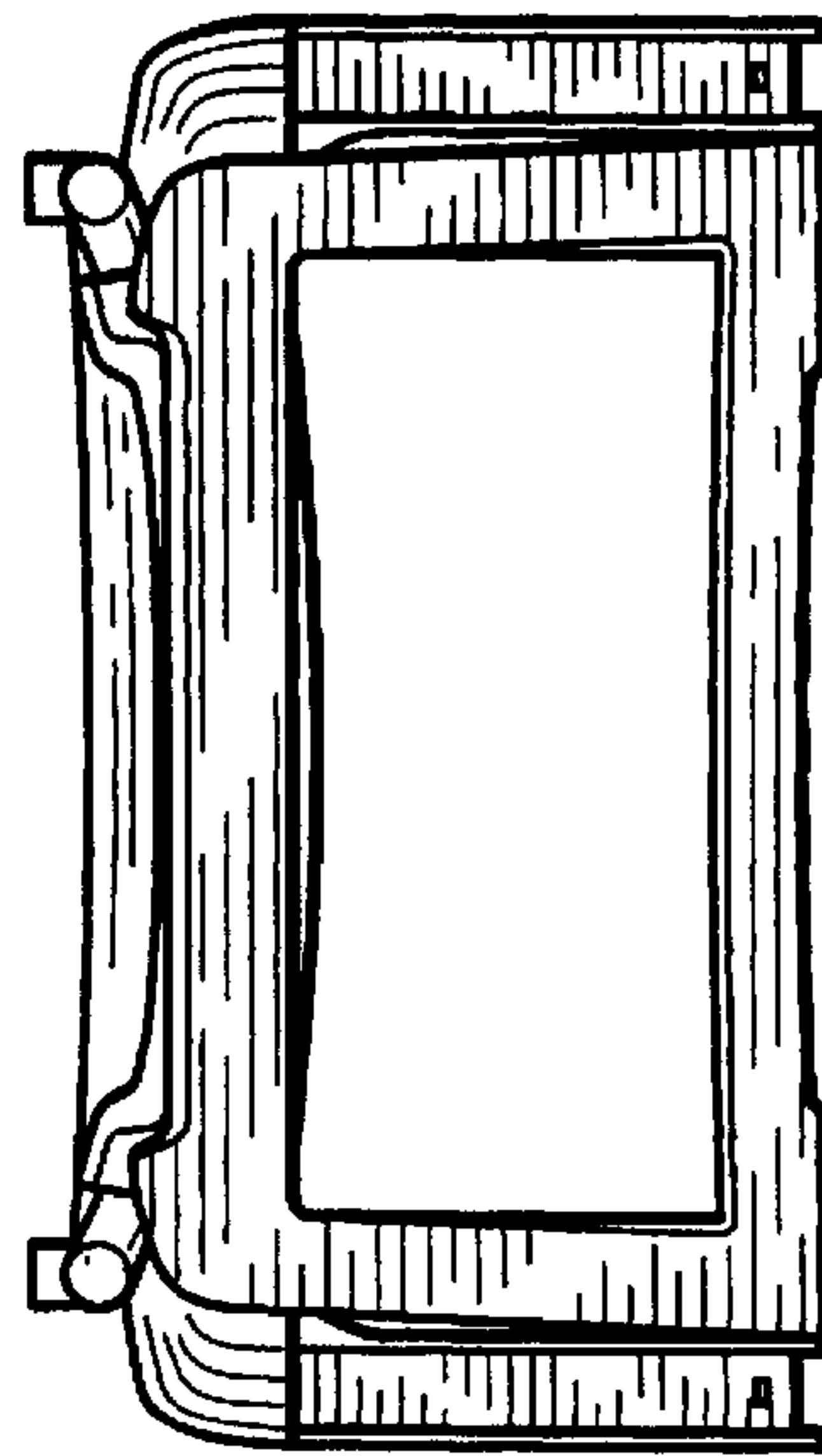
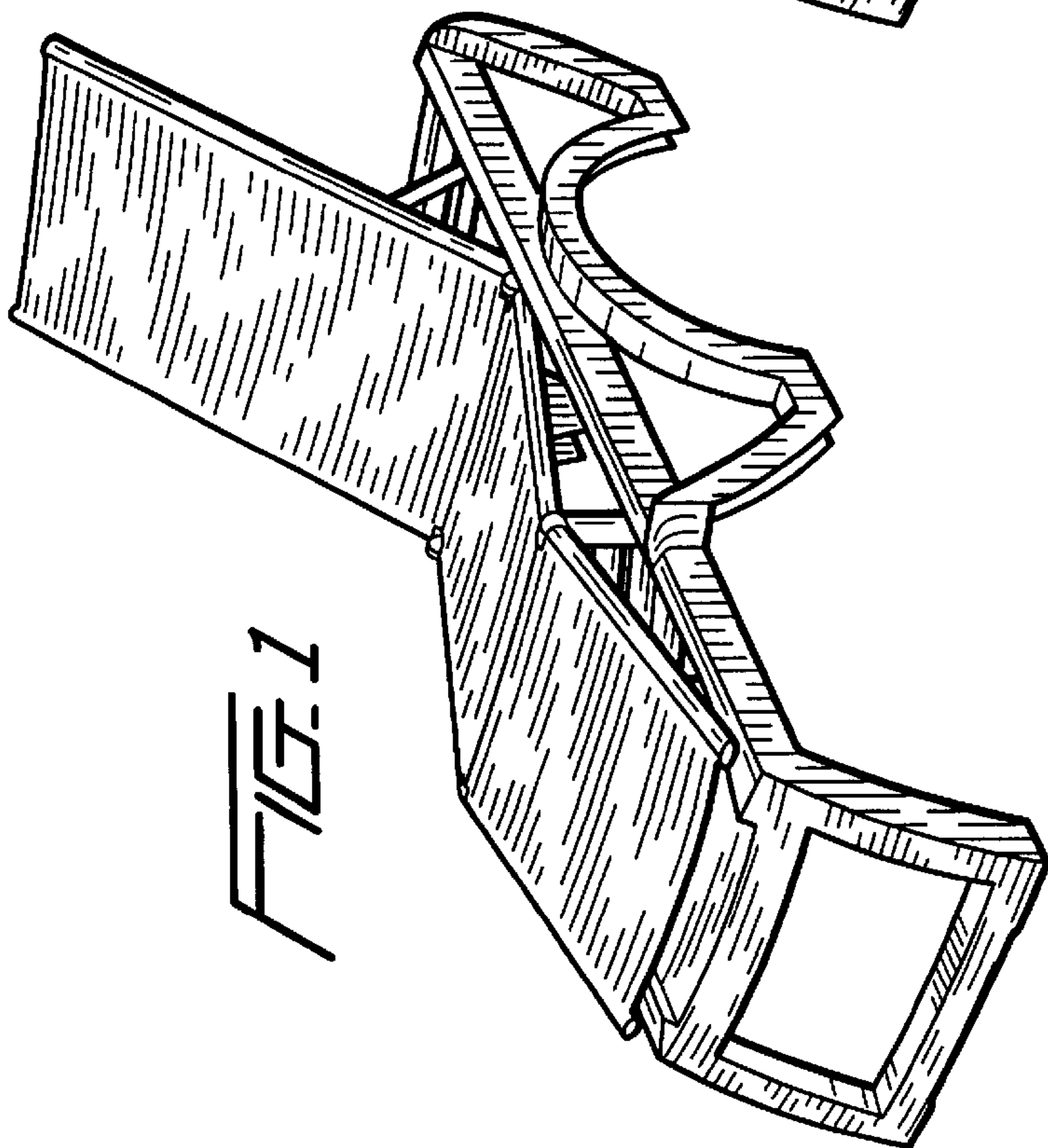
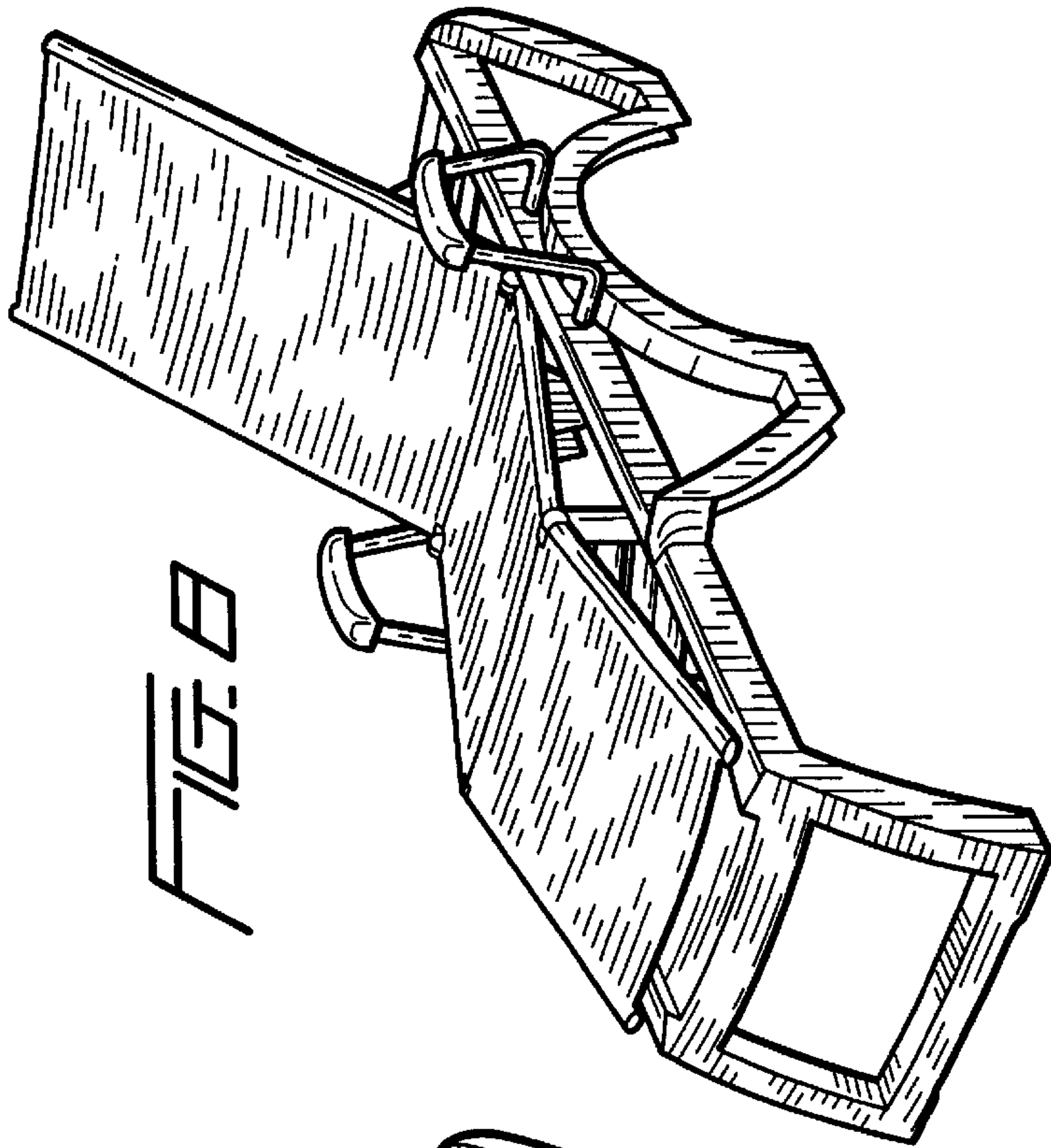
The ornamental design for a reclining lounge chair, as shown and described.

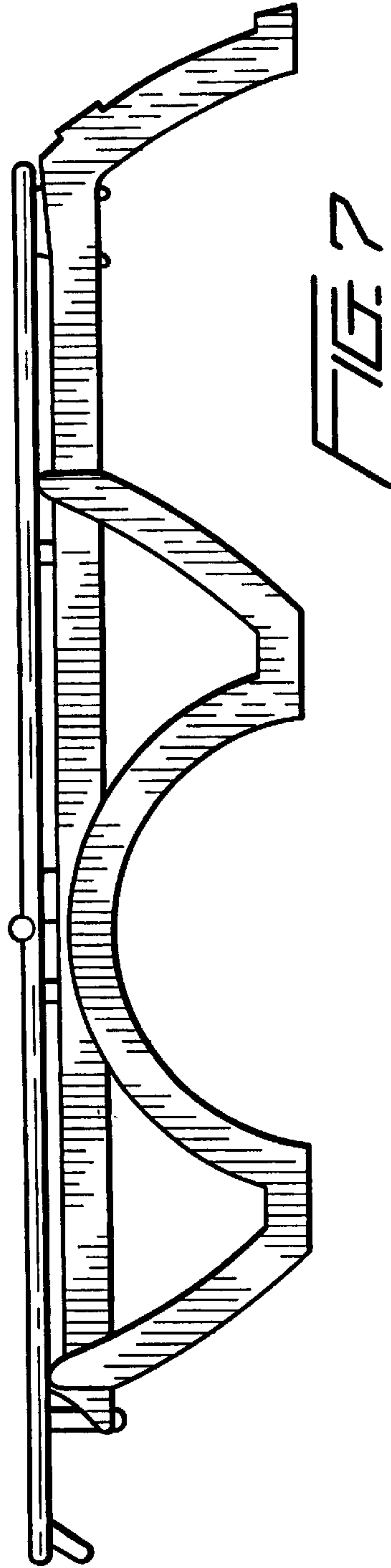
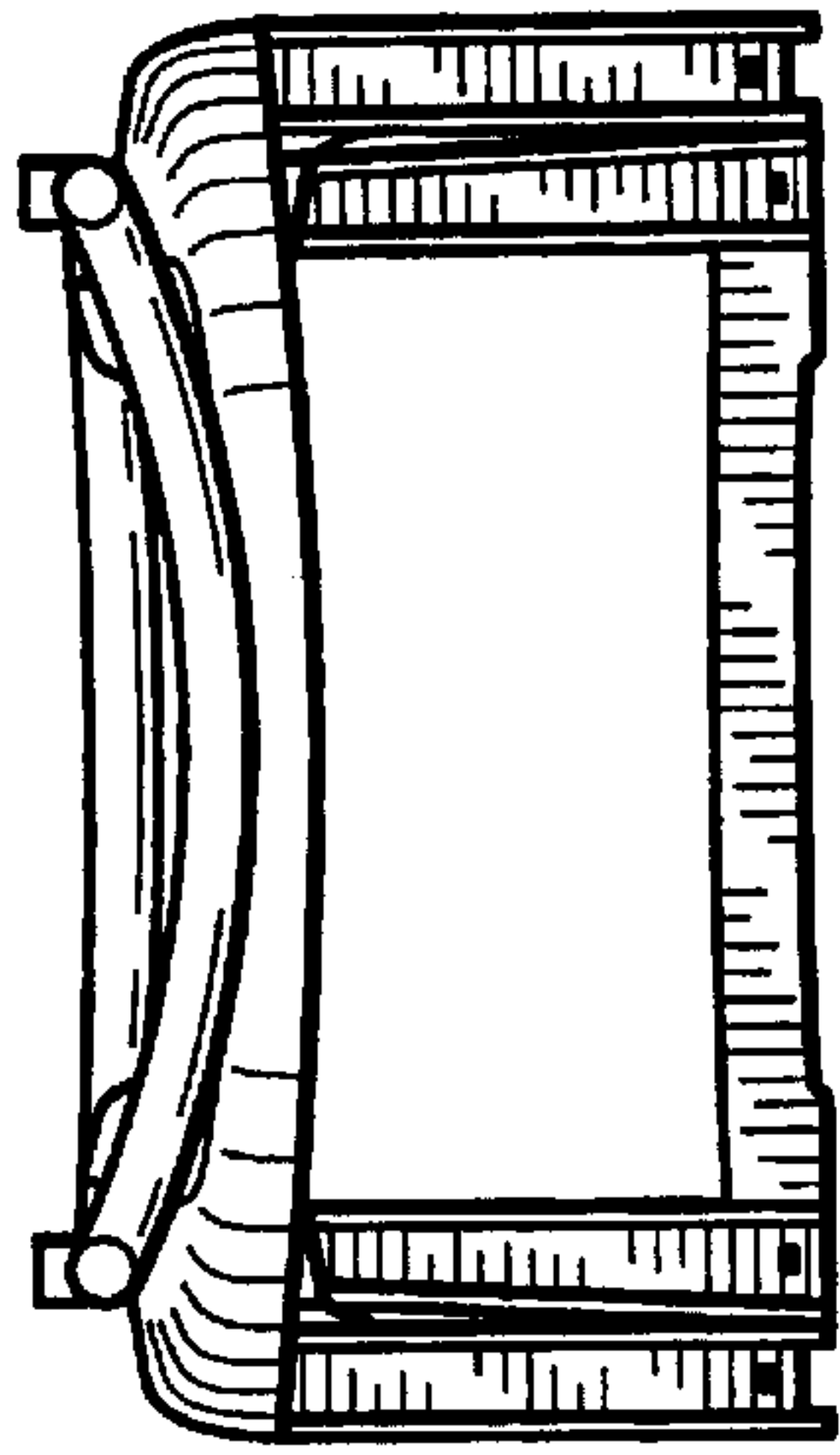
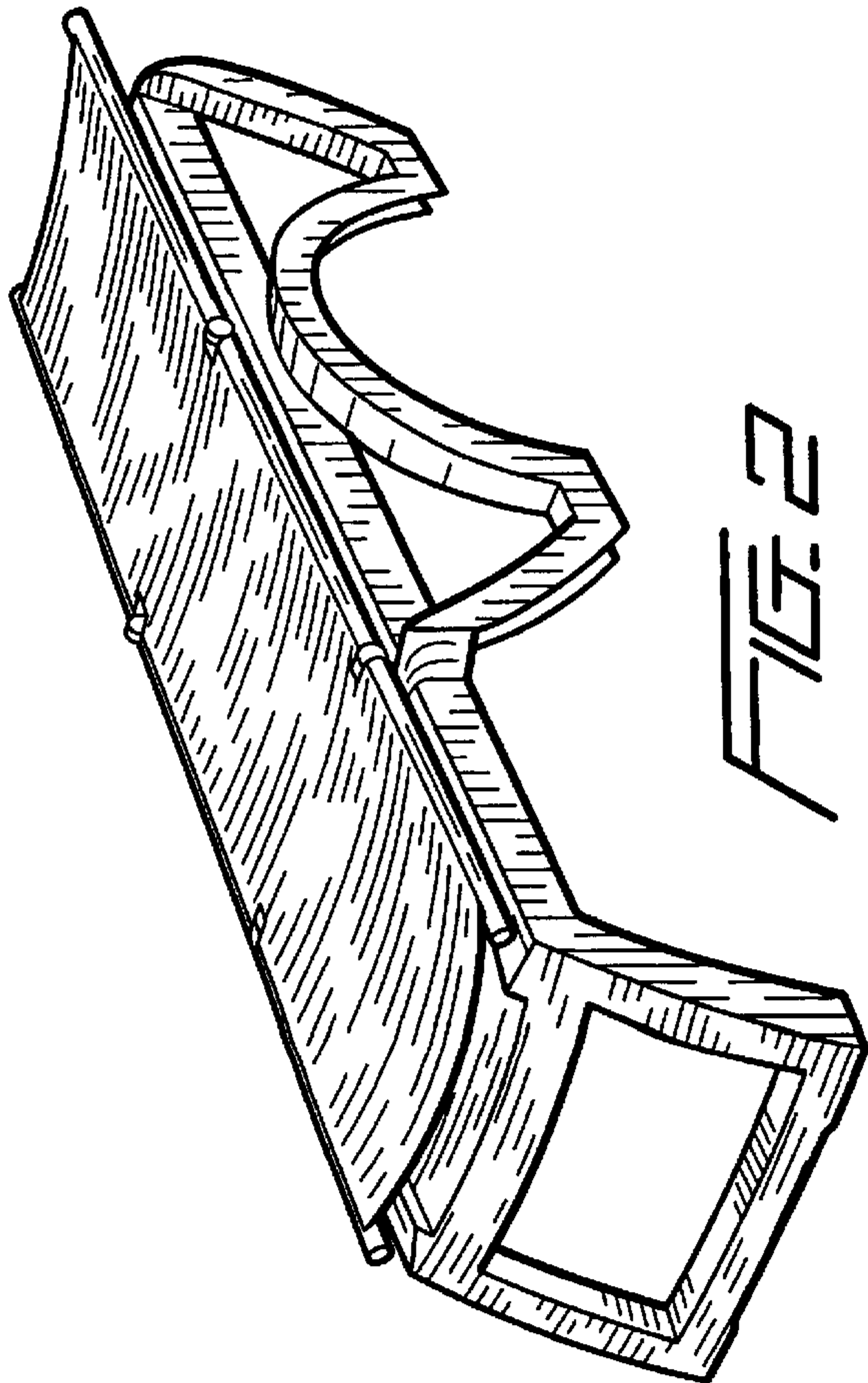
DESCRIPTION

FIG. 1 is a front perspective view of a first embodiment of a reclining lounge chair with the backrest in a raised position showing my new design; FIG. 2 is a front perspective view of a second embodiment with the backrest in a lowered position; FIG. 3 is a slightly enlarged front elevational view; FIG. 4 is a slightly enlarged rear elevational view of FIG. 2; FIG. 5 is a slightly enlarged top plan view of FIG. 2; FIG. 6 is a slightly enlarged bottom plan view of FIG. 2; FIG. 7 is a slightly enlarged right side view of FIG. 2; and, FIG. 8 is a front perspective view similar to FIG. 1 showing a pair of armrests.

1 Claim, 3 Drawing Sheets







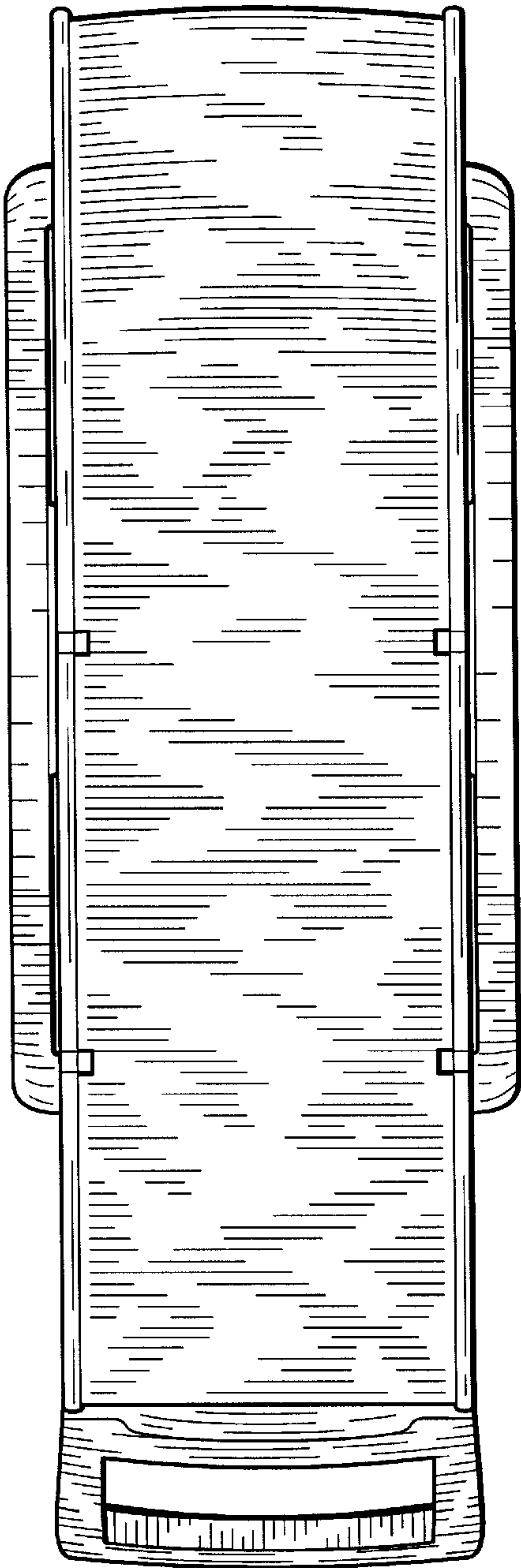


FIG. 5

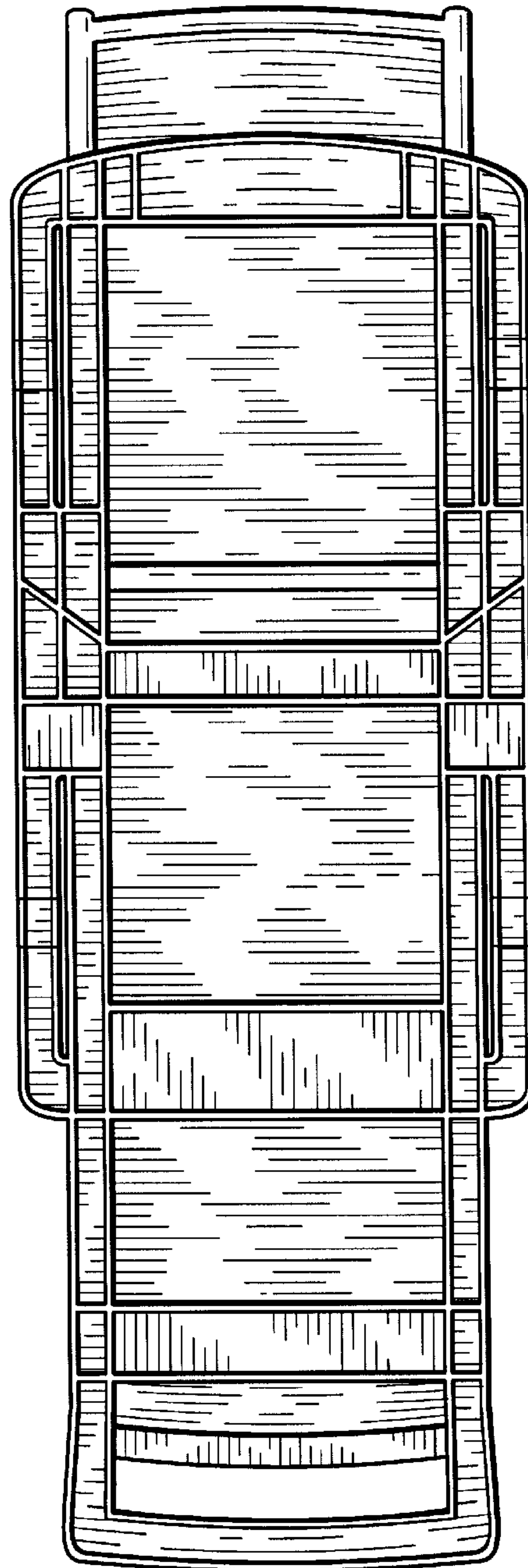


FIG. 6