

US00D518643S

(12) **United States Design Patent**  
**Kling**

(10) **Patent No.:** **US D518,643 S**

(45) **Date of Patent:** **\*\* Apr. 11, 2006**

(54) **PROTECTIVE COVER FOR A TOOTHBRUSH HEAD**

(75) Inventor: **Bjorn Kling**, Frankfurt am Main (DE)

(73) Assignee: **The Gillette Company**, Boston, MA (US)

(\*\*) Term: **14 Years**

(21) Appl. No.: **29/201,163**

(22) Filed: **Mar. 11, 2004**

(30) **Foreign Application Priority Data**

Sep. 19, 2003 (WO) ..... DM/064 344

(51) **LOC (8) Cl.** ..... **04-02**

(52) **U.S. Cl.** ..... **D4/113**

(58) **Field of Classification Search** ..... D4/113,  
D4/199; 15/184, 185, 246; 206/15.2, 15.3,  
206/361, 362.2, 362.3

See application file for complete search history.

(56) **References Cited**

**U.S. PATENT DOCUMENTS**

- 3,127,985 A \* 4/1964 Scott ..... 206/362.3
- 4,396,238 A 8/1983 Torruella
- 5,960,801 A \* 10/1999 Vermooten et al. .. 206/362.3 X
- D432,312 S 10/2000 Blaustein et al.
- D450,929 S 11/2001 Angelini et al.
- D454,252 S 3/2002 Lee
- D456,998 S 5/2002 Blaustein et al.
- D459,892 S 7/2002 Eliav et al.
- D480,214 S 10/2003 Kling et al.

**FOREIGN PATENT DOCUMENTS**

DE 40010641.8 11/2000

- DE 40209177.9 2/2003
- JP 11-56476 A \* 3/1999
- WO WO01/21034 3/2001
- WO WO01/43584 6/2001

\* cited by examiner

*Primary Examiner*—Alan P. Douglas  
*Assistant Examiner*—Lavone D. Tabor  
(74) *Attorney, Agent, or Firm*—Fish & Richardson P.C.

(57) **CLAIM**

The ornamental design for a protective cover for a toothbrush head, as shown and described.

**DESCRIPTION**

FIG. 1 is a perspective view of a protective cover for a toothbrush head in a closed position showing the new design;

FIG. 2 is a perspective view of the protective cover for a toothbrush head in an open position showing the new design;

FIG. 3 is a top plan view of the protective cover for a toothbrush head of FIG. 1;

FIG. 4 is a front view of the protective cover for a toothbrush head of FIG. 1;

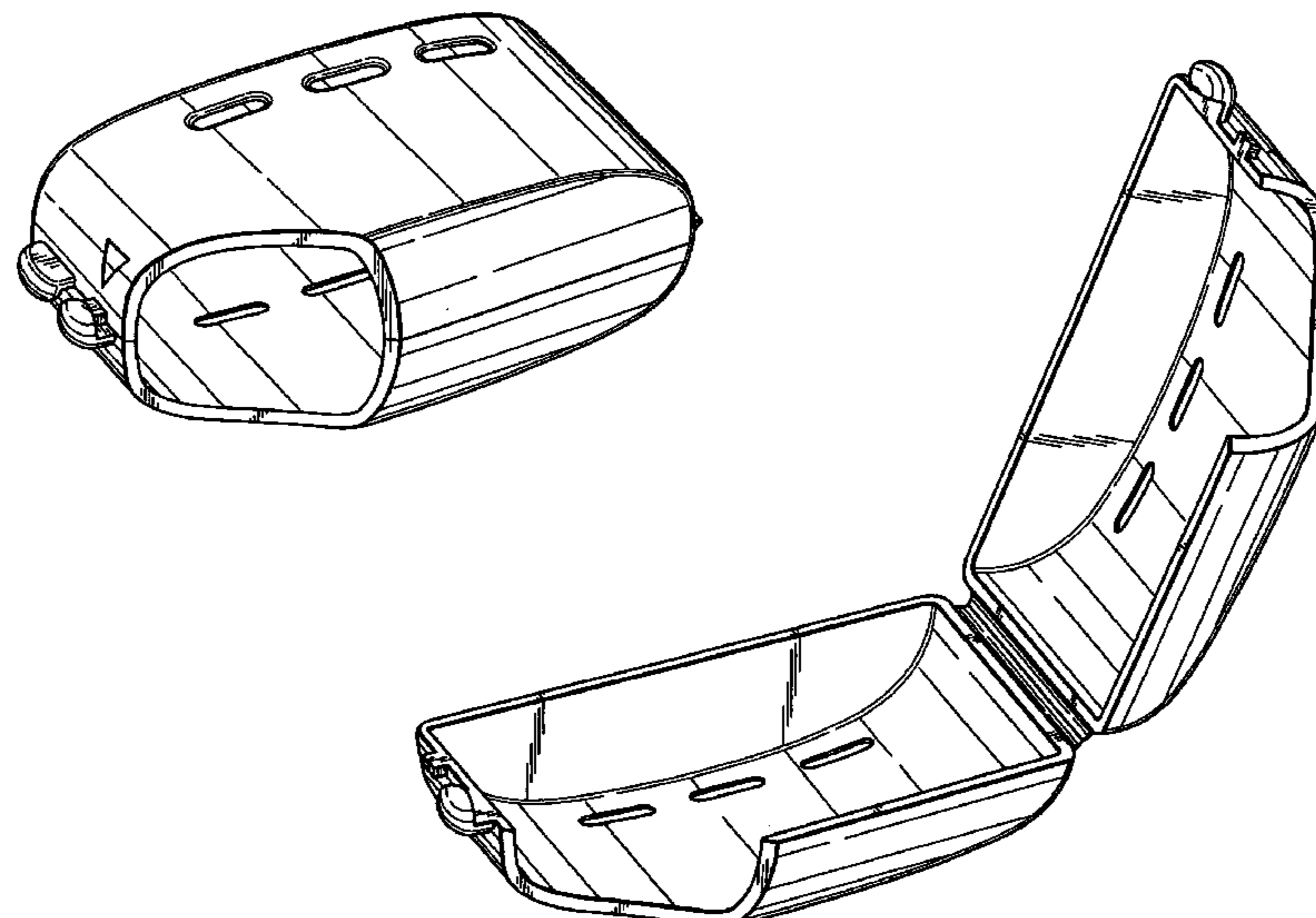
FIG. 5 is a right side view of the protective cover for a toothbrush head of FIG. 1;

FIG. 6 is a rear view of the protective cover for a toothbrush head of FIG. 1;

FIG. 7 is a bottom plan view of the protective cover for a toothbrush head of FIG. 1; and,

FIG. 8 is a left side view of the protective cover for a toothbrush head of FIG. 1.

**1 Claim, 3 Drawing Sheets**



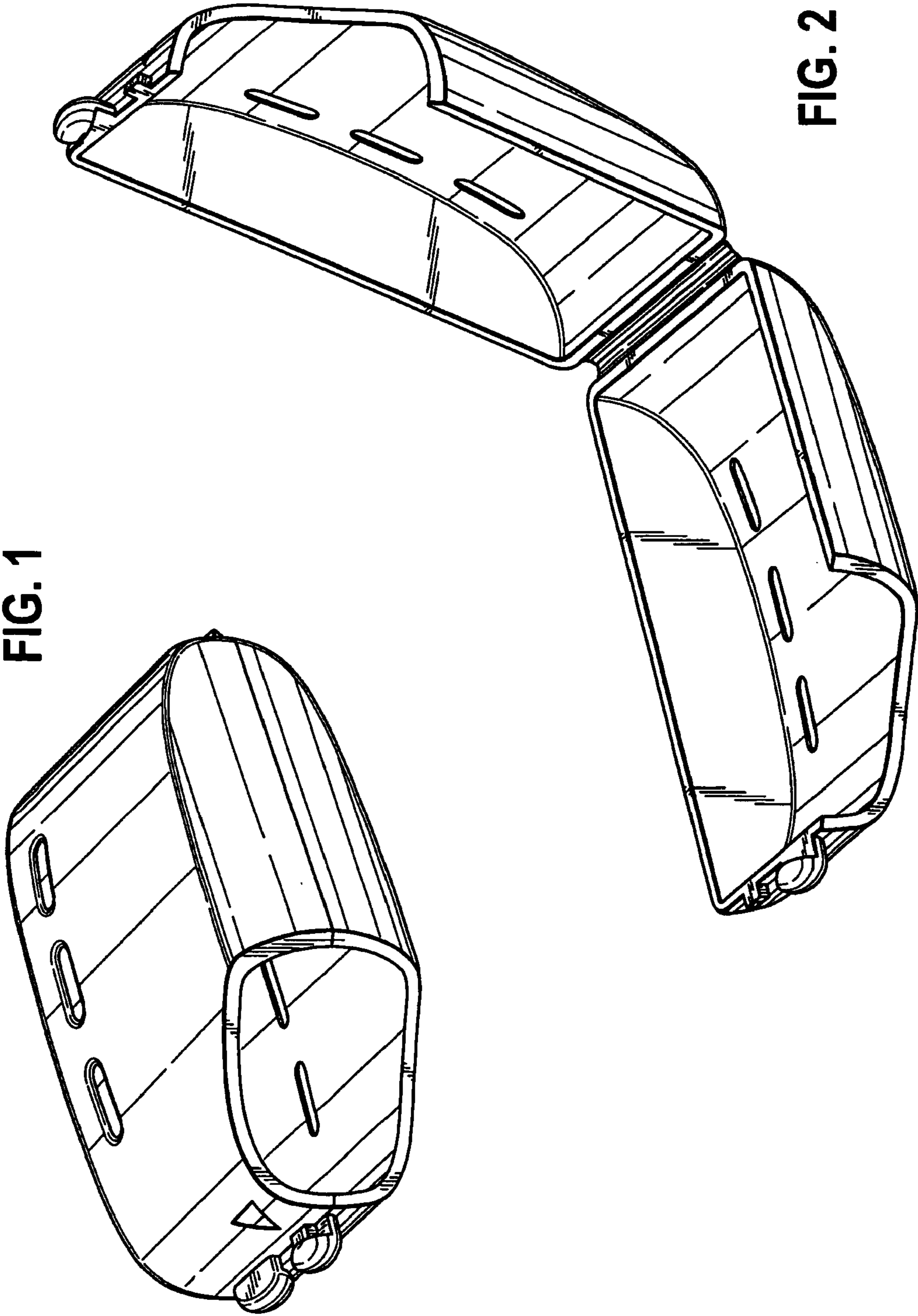
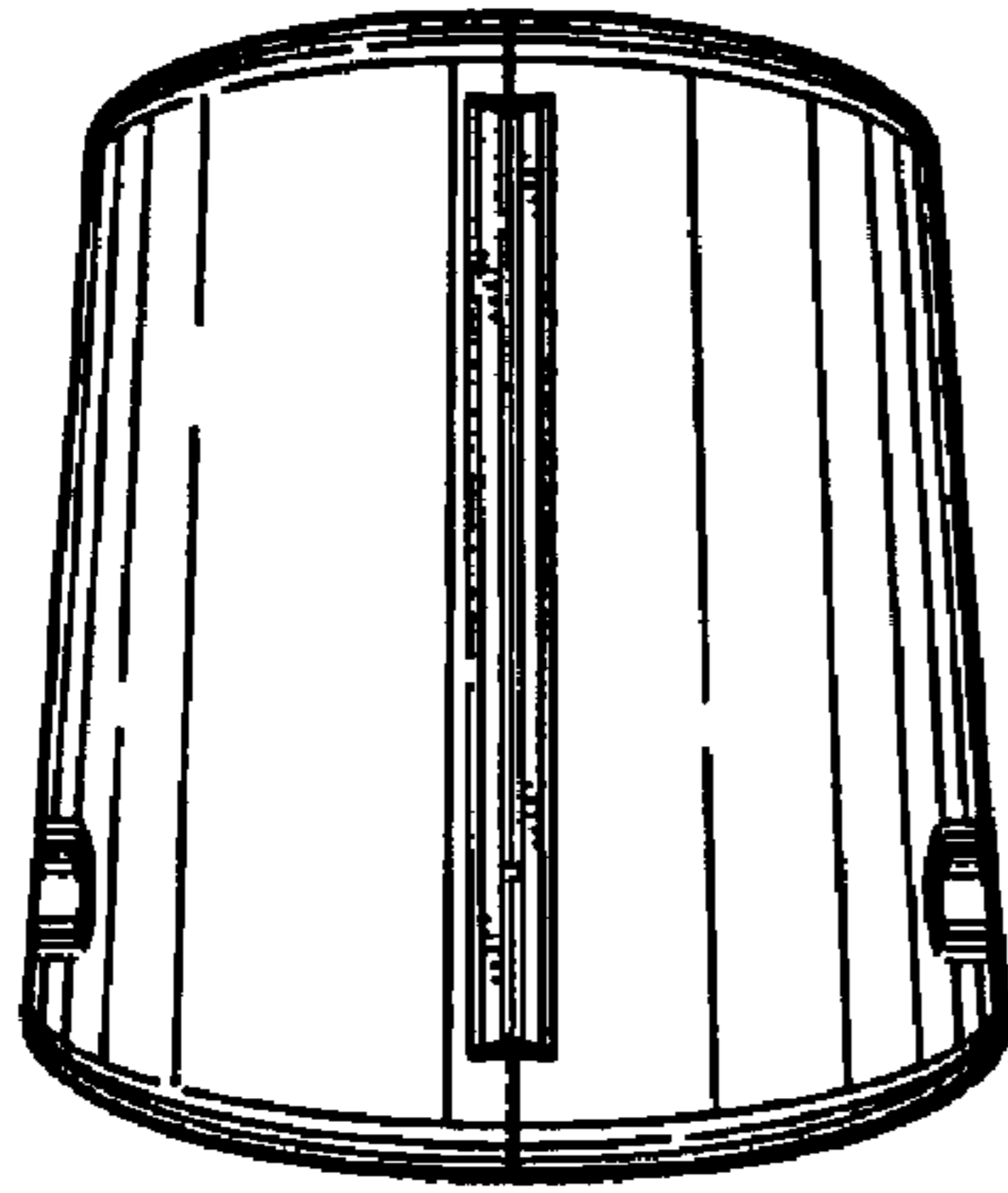
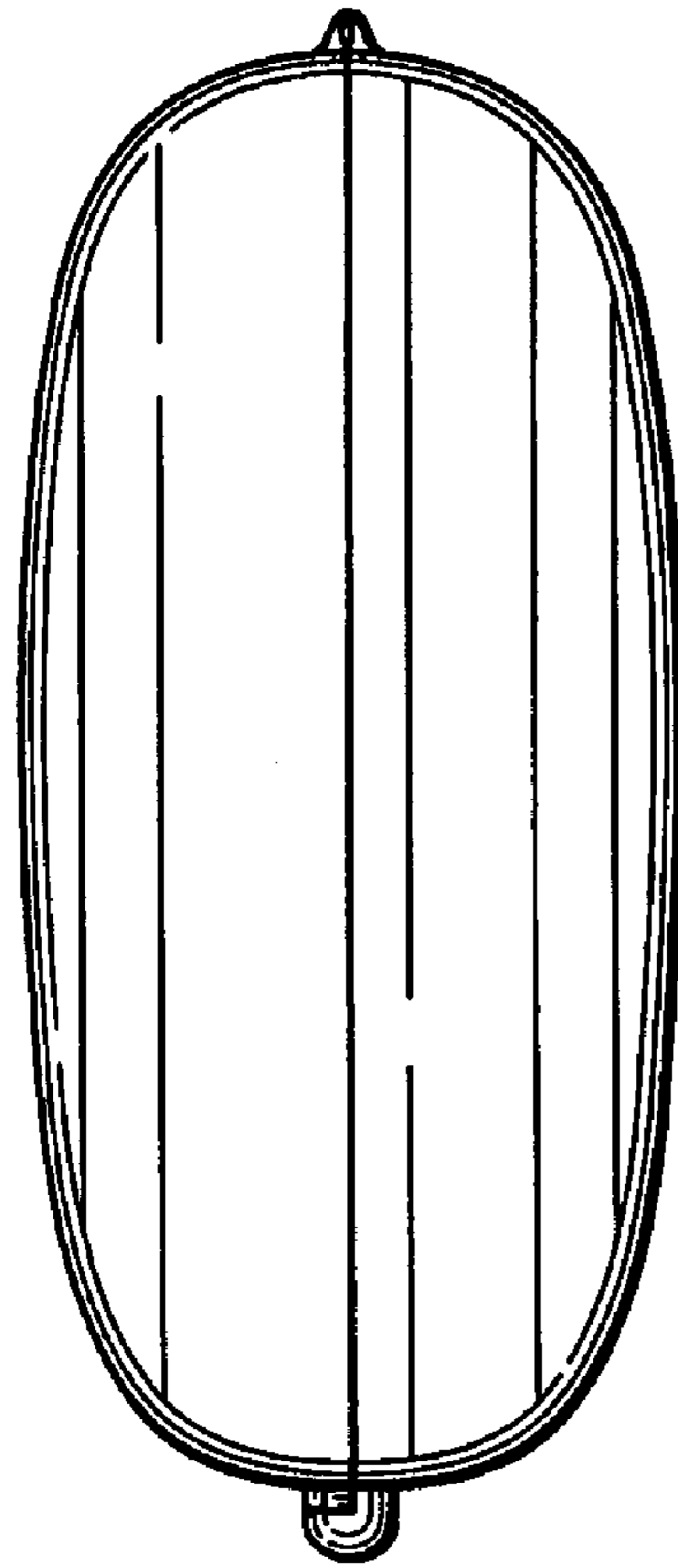


FIG. 1

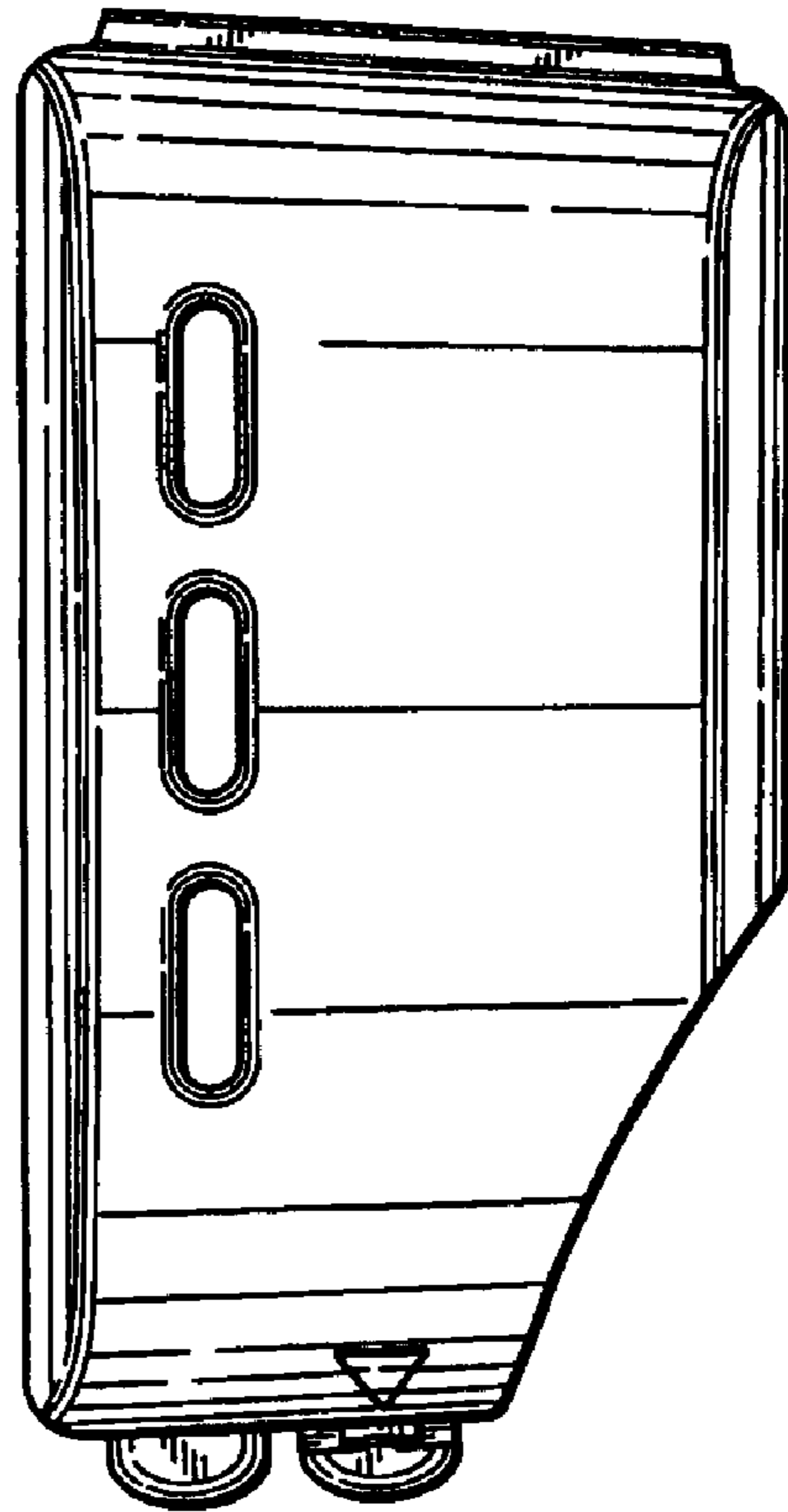
FIG. 2



**FIG. 3**

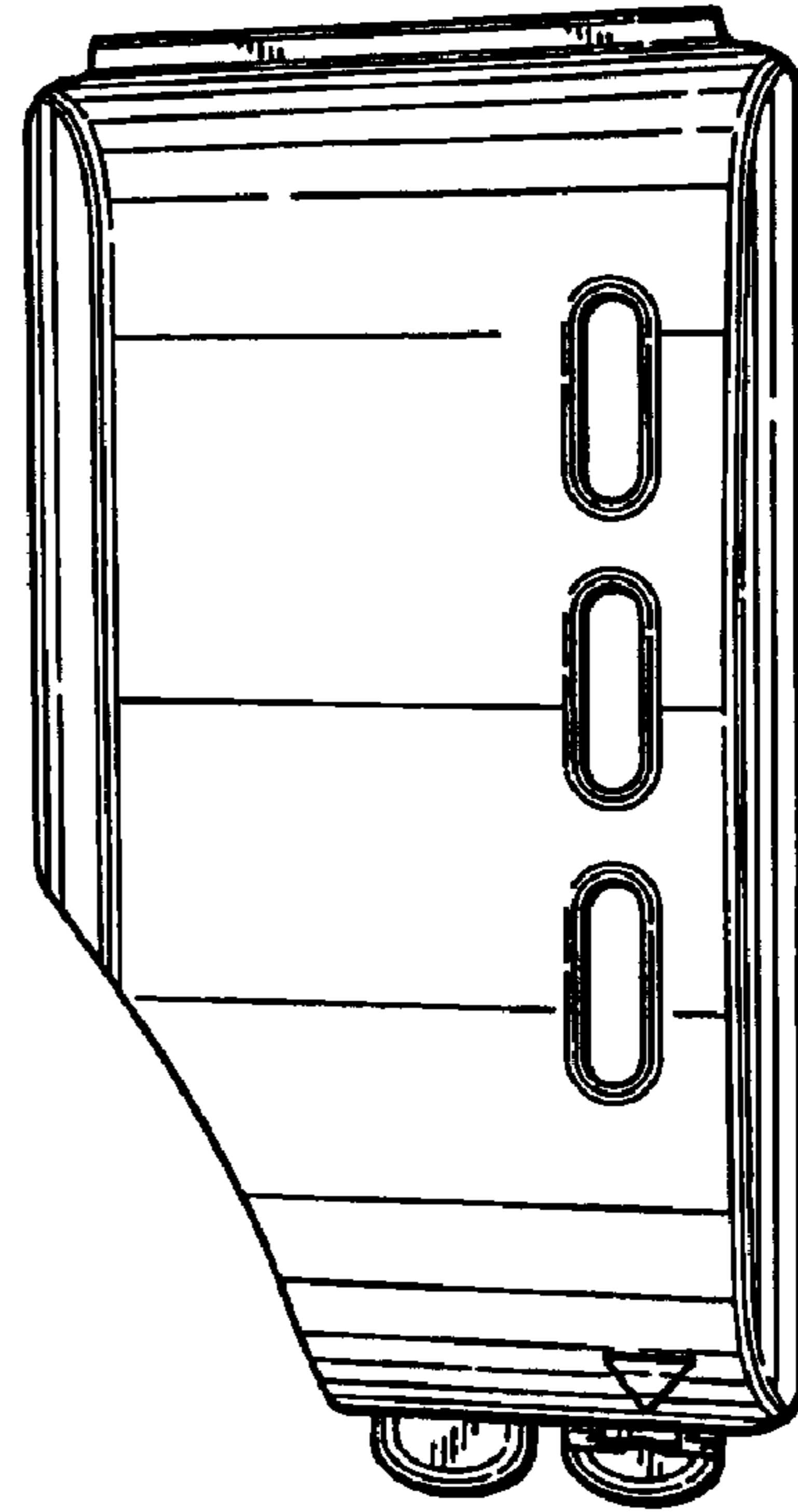
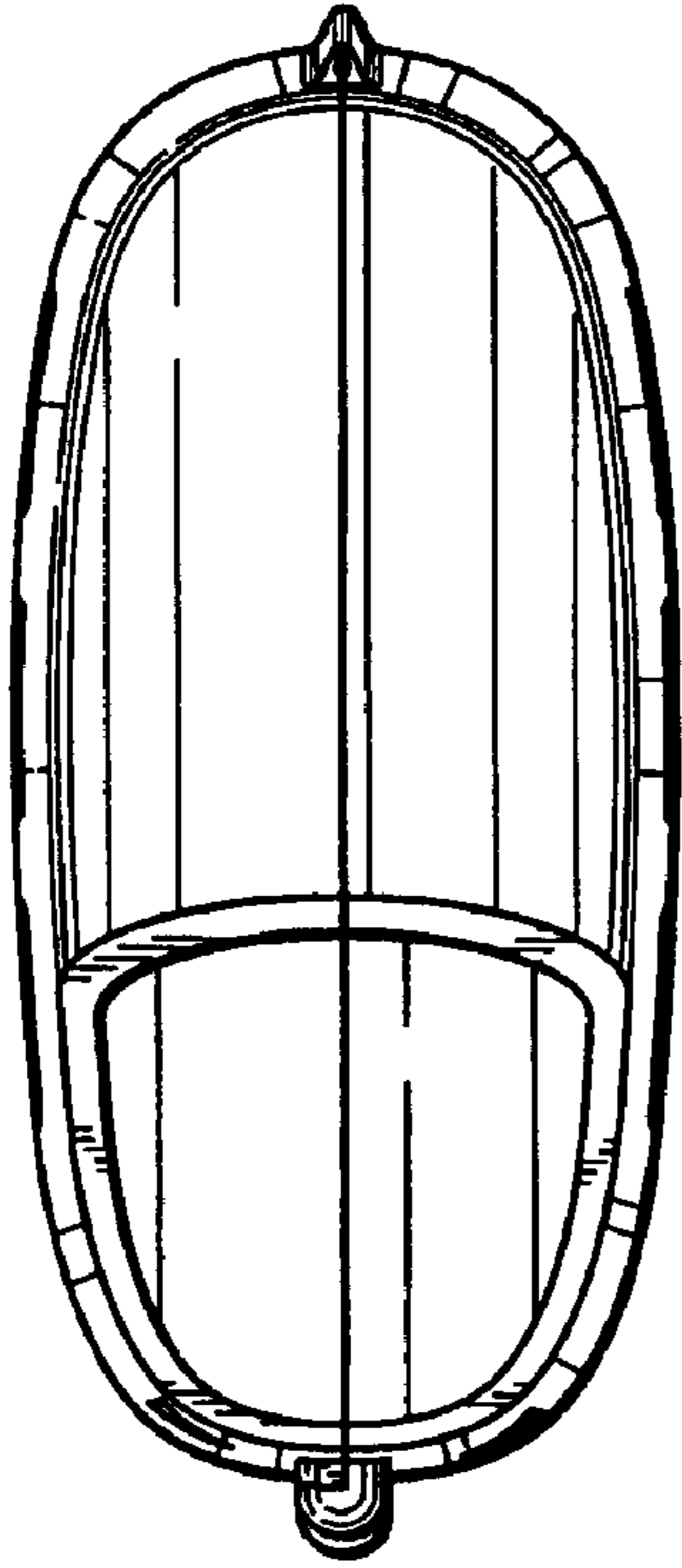


**FIG. 4**

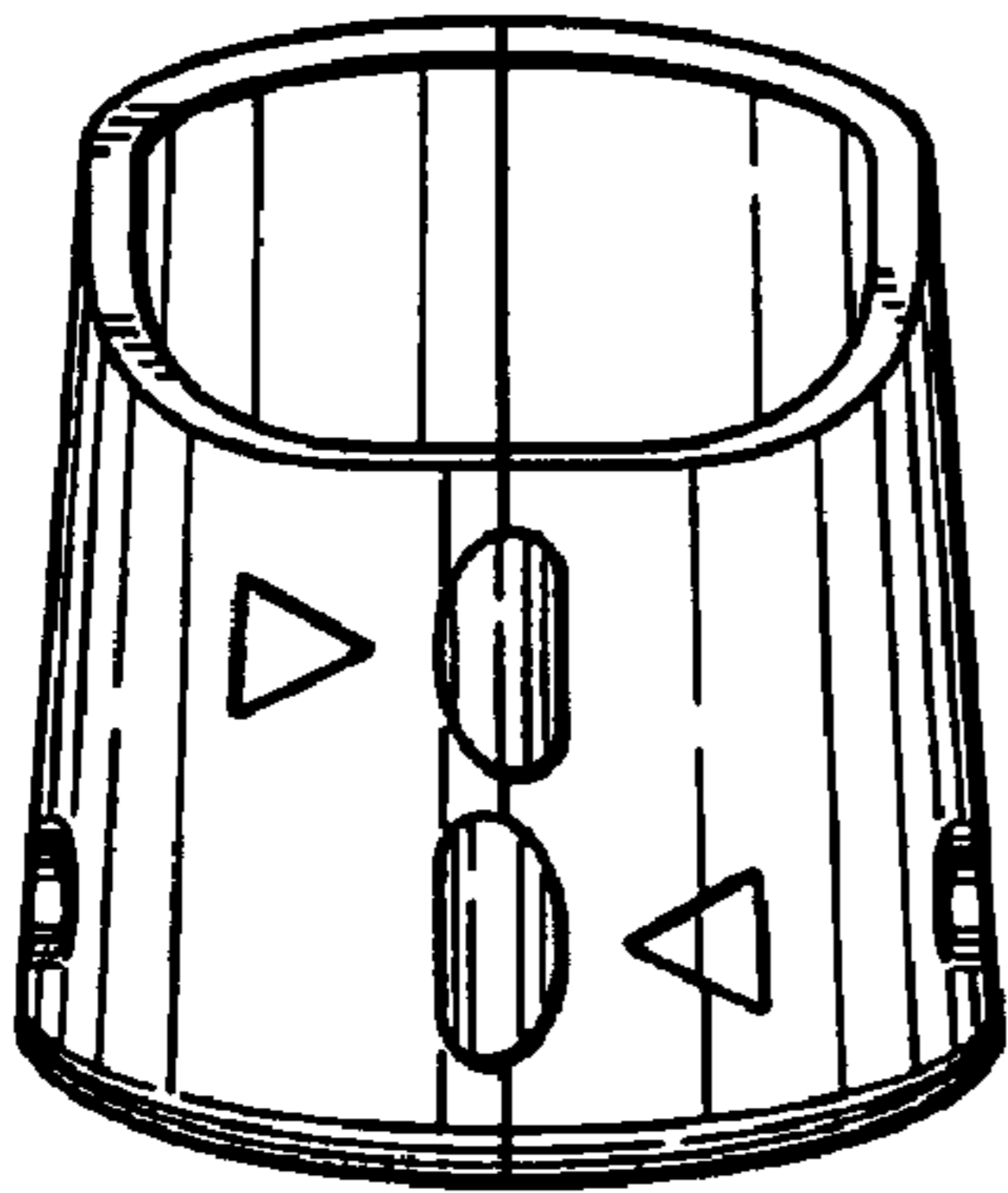


**FIG. 5**

**FIG. 6**



**FIG. 8**



**FIG. 7**