



US00D518641S

(12) **United States Design Patent**
Della Valle et al.

(10) **Patent No.: US D518,641 S**

(45) **Date of Patent: ** Apr. 11, 2006**

- (54) **SHOULDER STRAP FOR BAGS**
- (75) Inventors: **Diego Della Valle**, Sant'Elpidio a Mare (IT); **Bruno Frisoni**, Paris (FR)
- (73) Assignee: **Gousson-Consultadoria E. Marketing LDA**, Funchal Madeira (PT)
- (**) Term: **14 Years**

971,411 A *	9/1910	Saart	150/120
994,399 A *	6/1911	Holroyd	150/107
1,002,076 A *	8/1911	Moore	150/123
1,376,099 A *	4/1921	Kaufman	150/117
D62,199 S *	4/1923	Brill	D3/243
1,841,971 A *	1/1932	Morris	150/125
D137,789 S *	5/1944	Kaufman	D3/242
D350,673 S *	9/1994	Gong	D7/654

* cited by examiner

- (21) Appl. No.: **29/221,241**
- (22) Filed: **Jan. 14, 2005**

Primary Examiner—Sandra S. Snapp
(74) *Attorney, Agent, or Firm*—Sughru Mion, PLLC

(30) **Foreign Application Priority Data**

Jul. 16, 2004 (EP) 000203930

- (51) **LOC (8) Cl.** **03-01**
 - (52) **U.S. Cl.** **D3/327**
 - (58) **Field of Classification Search** D3/318, D3/319, 321–328, 226, 229, 230, 232, 234, D3/235, 242, 243, 245, 246, 270, 295, 271.2, D3/304, 306; D12/409; 70/2, 6; 150/100, 150/107, 111, 118, 130, 900, 112, 114, 117, 150/127; 190/100, 119, 125, 127, 109, 110, 190/900–903; 224/42.11, 236, 429, 430, 224/609, 436, 439; 383/907, 38
- See application file for complete search history.

(57) **CLAIM**

The ornamental design for a shoulder strap for bags, as shown.

DESCRIPTION

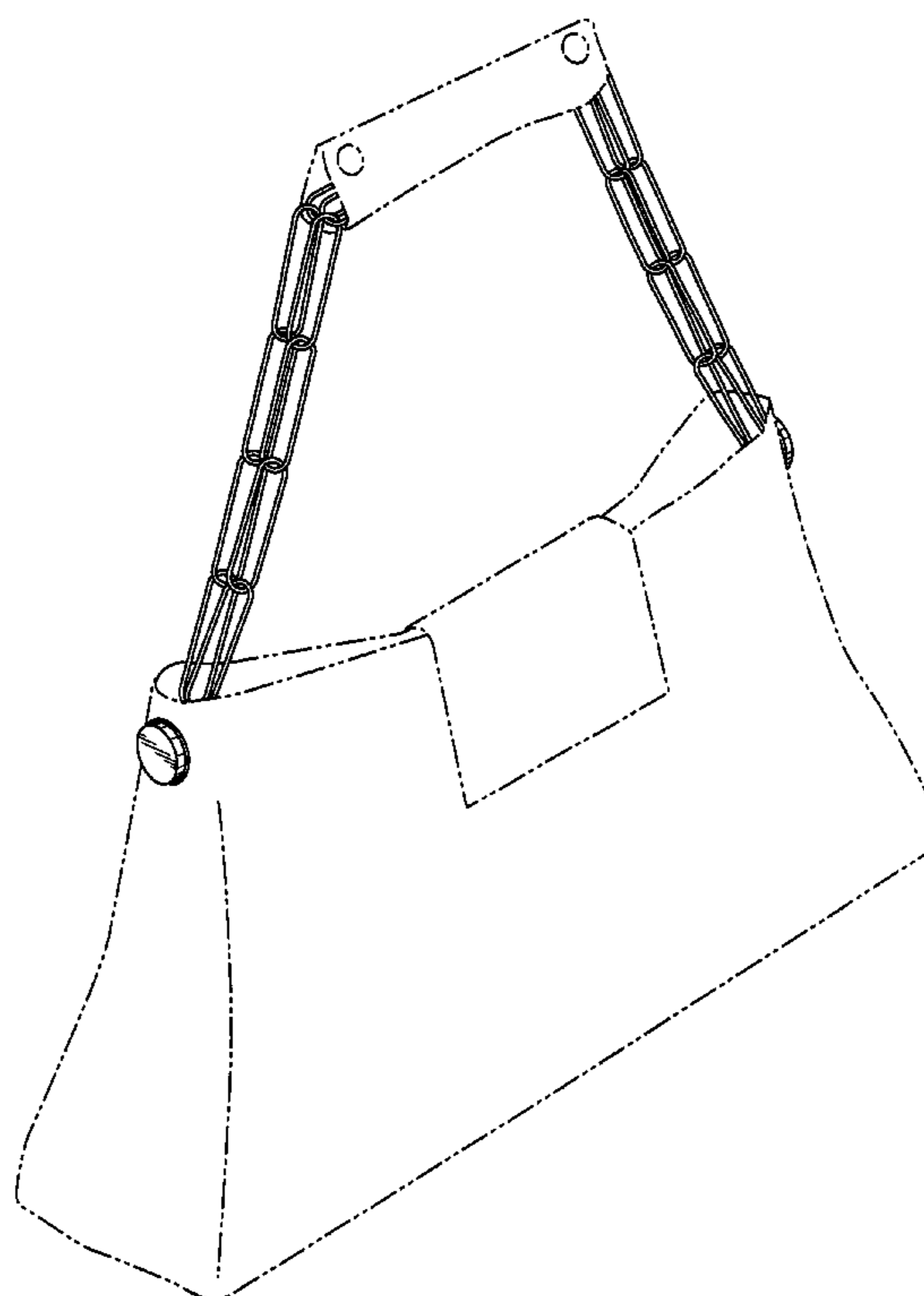
FIG. 1 is a front elevational view of a shoulder strap for bags showing our new design;
FIG. 2 is a rear elevational view thereof;
FIG. 3 is a left side elevational view thereof;
FIG. 4 is a right side elevational view thereof;
FIG. 5 is a top plan view thereof;
FIG. 6 is a bottom plan view thereof; and,
FIG. 7 is a perspective view of the top, front and left side thereof.

(56) **References Cited**

U.S. PATENT DOCUMENTS

876,128 A * 1/1908 Anthony 150/130

1 Claim, 5 Drawing Sheets



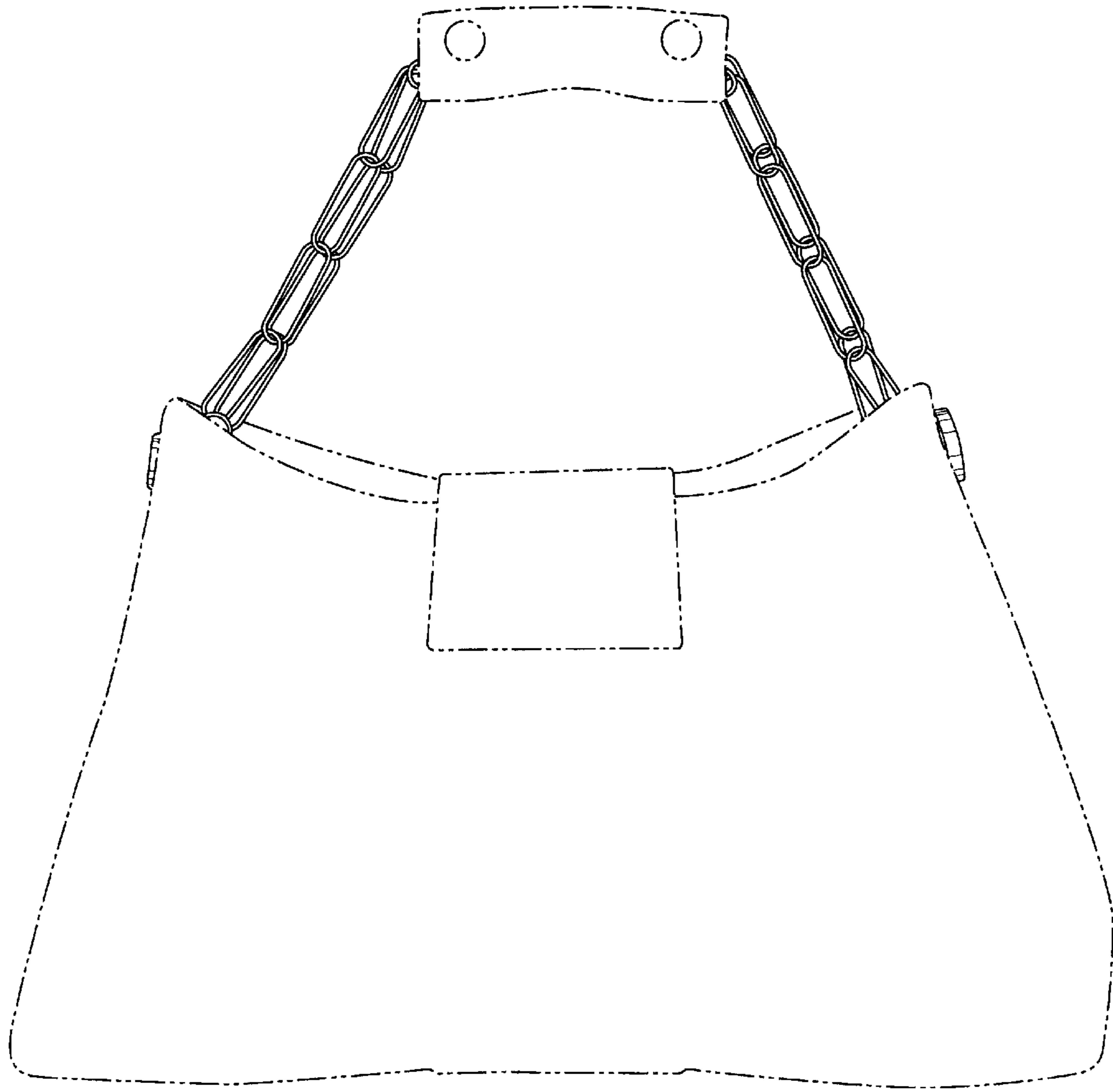


Fig. 1

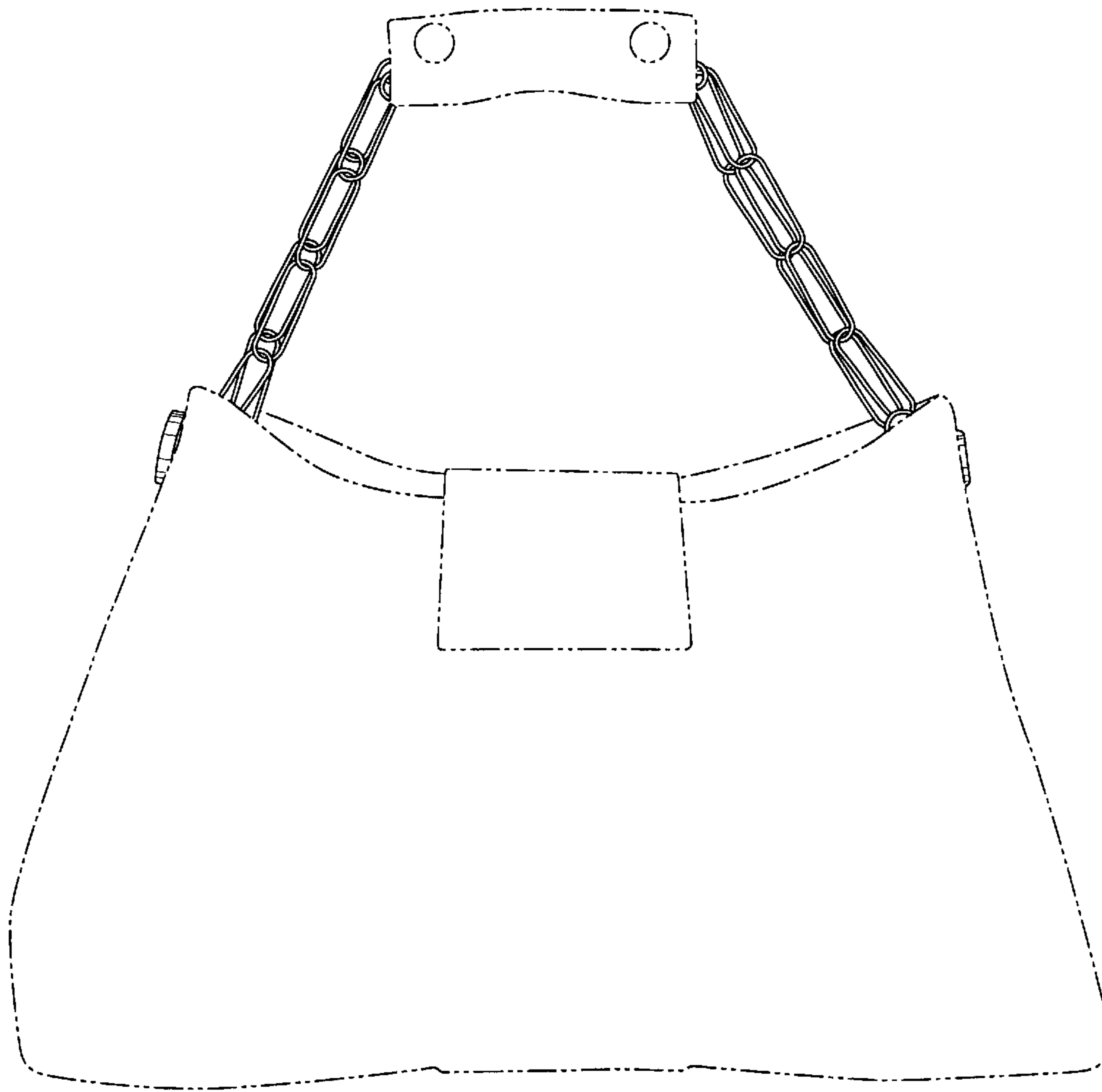


Fig. 2

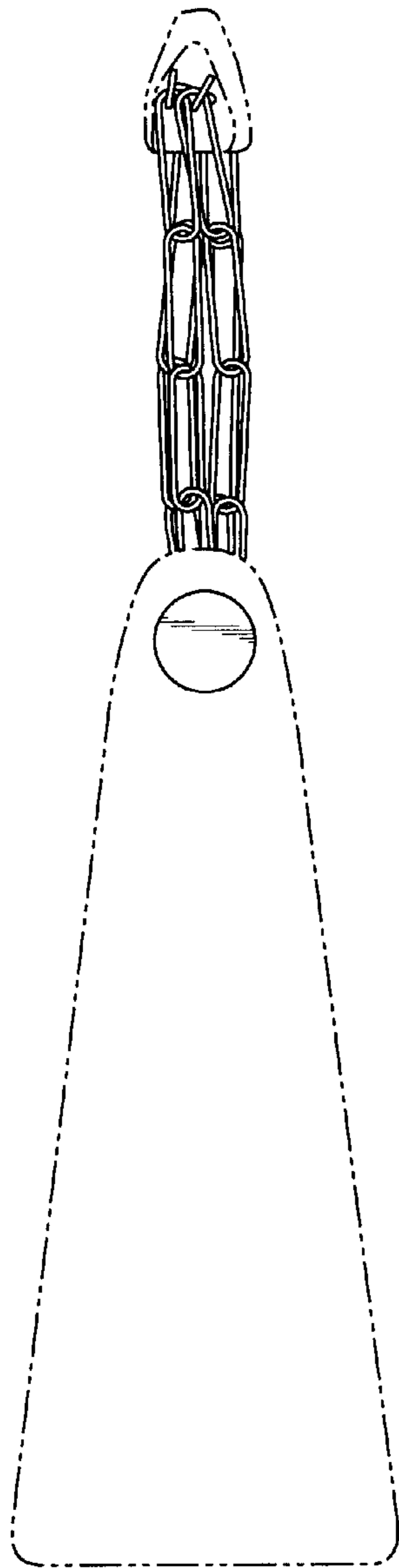


Fig. 3

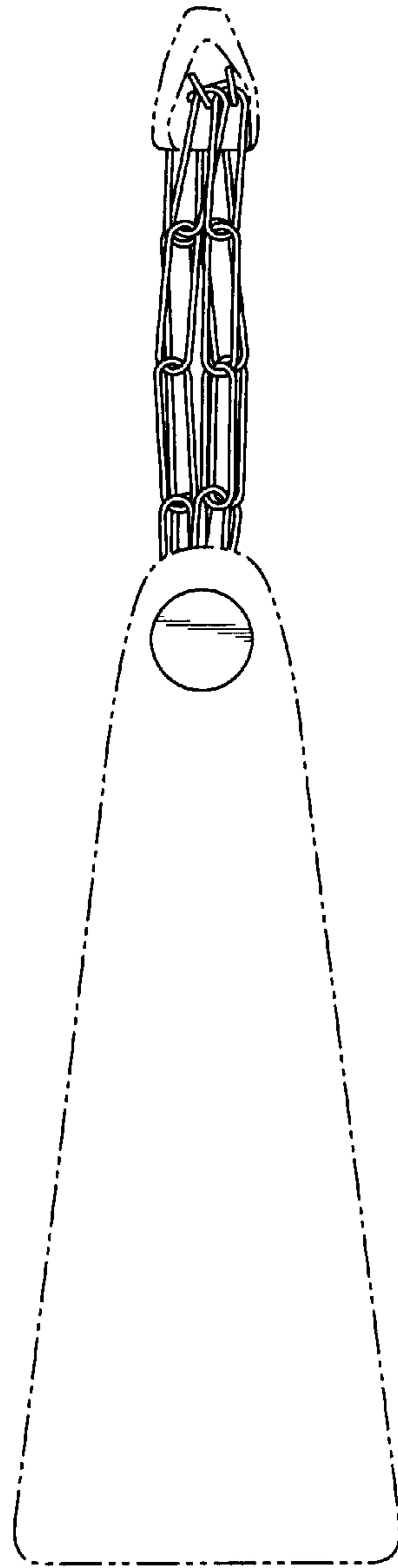


Fig. 4

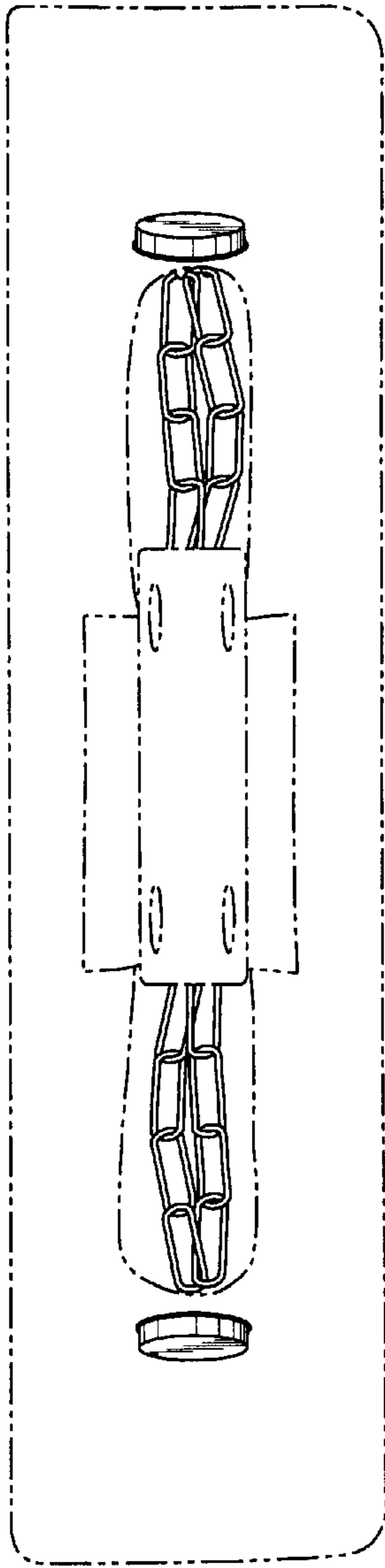


Fig. 5

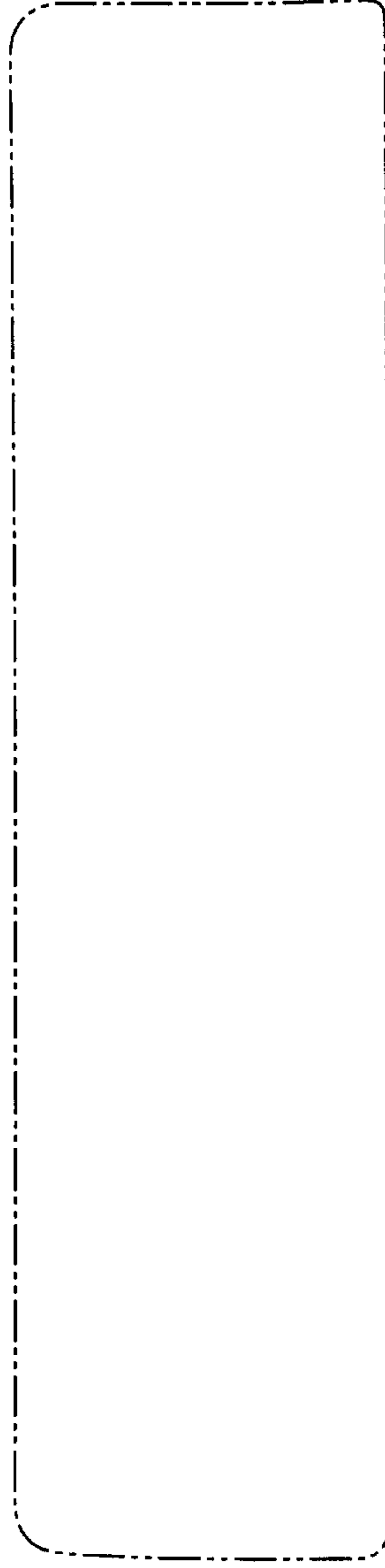


Fig. 6

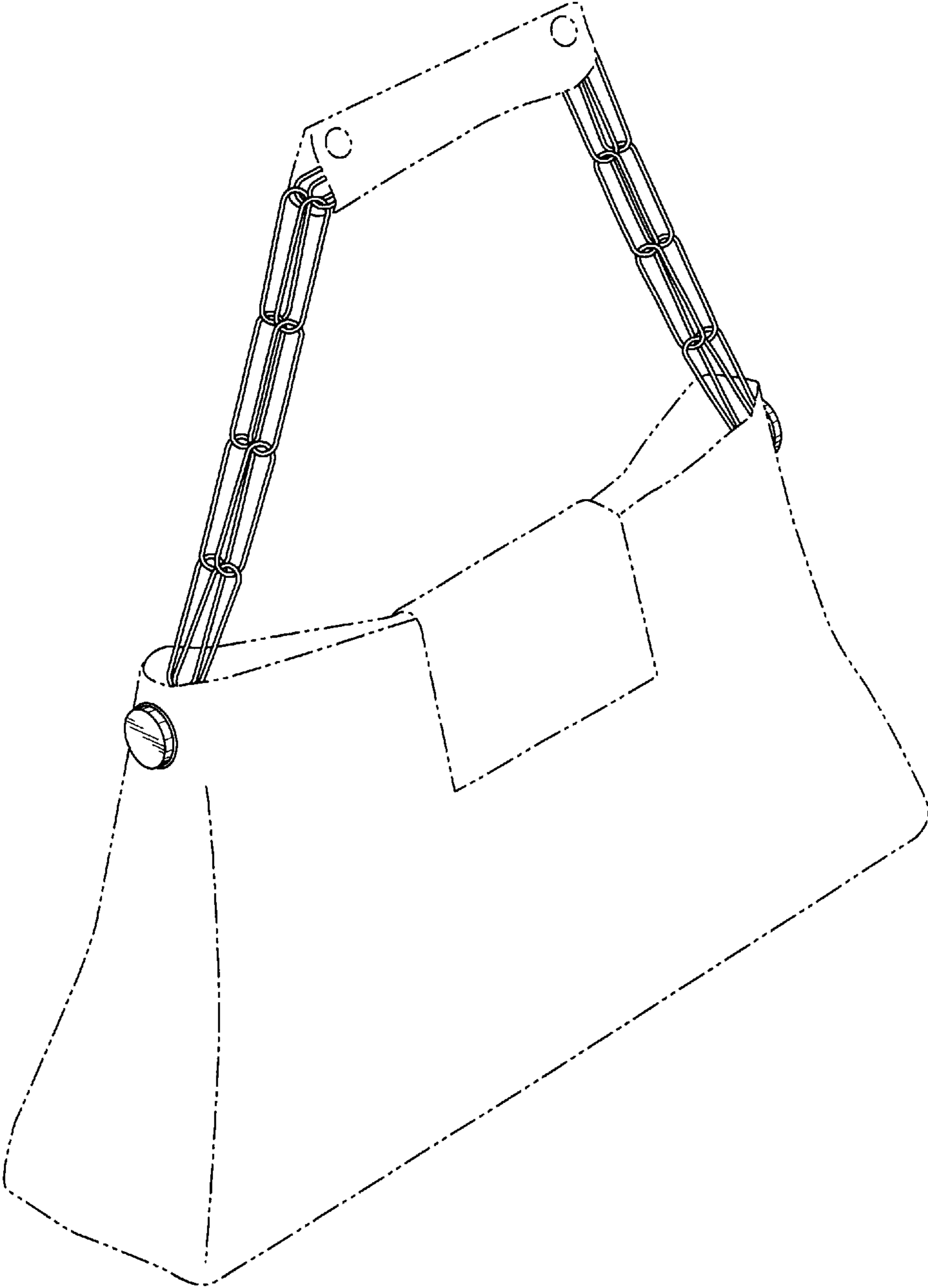


Fig. 7