



US00D518640S

(12) **United States Design Patent**  
**Hoofnagle**

(10) **Patent No.:** **US D518,640 S**

(45) **Date of Patent:** **\*\* Apr. 11, 2006**

(54) **CARRYING CASE**

(75) Inventor: **Wayne Scott Hoofnagle**, Redmond,  
WA (US)

(73) Assignee: **Fluke Corporation**, Everett, WA (US)

(\*\*) Term: **14 Years**

(21) Appl. No.: **29/218,532**

(22) Filed: **Dec. 2, 2004**

(51) **LOC (8) Cl.** ..... **03-01**

(52) **U.S. Cl.** ..... **D3/321; D3/273**

(58) **Field of Classification Search** ..... D3/268,  
D3/270, 271.1, 273, 276, 281-285, 287, 289,  
D3/290, 321, 900, 902; 190/100, 109, 115,  
190/900, 903

See application file for complete search history.

(56) **References Cited**

**U.S. PATENT DOCUMENTS**

21,384	A	*	8/1858	Timbly	.....	190/100
D373,246	S	*	9/1996	Stokes et al.	.....	D3/279
D401,408	S	*	11/1998	Sun et al.	.....	D3/276
D418,677	S	*	1/2000	Sijmons	.....	D3/273
D424,105	S	*	5/2000	Platte, III	.....	D19/27

D429,975	S	*	8/2000	Marshall-Rees et al.	.....	D7/709
D449,645	S	*	10/2001	Gung	.....	D19/26
D459,887	S	*	7/2002	Johnson	.....	D3/303
D486,031	S	*	2/2004	Hillman	.....	D6/633
D495,185	S	*	8/2004	Palmer	.....	D6/632
D500,204	S	*	12/2004	Hillman	.....	D3/301

\* cited by examiner

*Primary Examiner*—Philip S. Hyder

*Assistant Examiner*—RoseLynne Ulm

(74) *Attorney, Agent, or Firm*—Dellett & Walters

(57) **CLAIM**

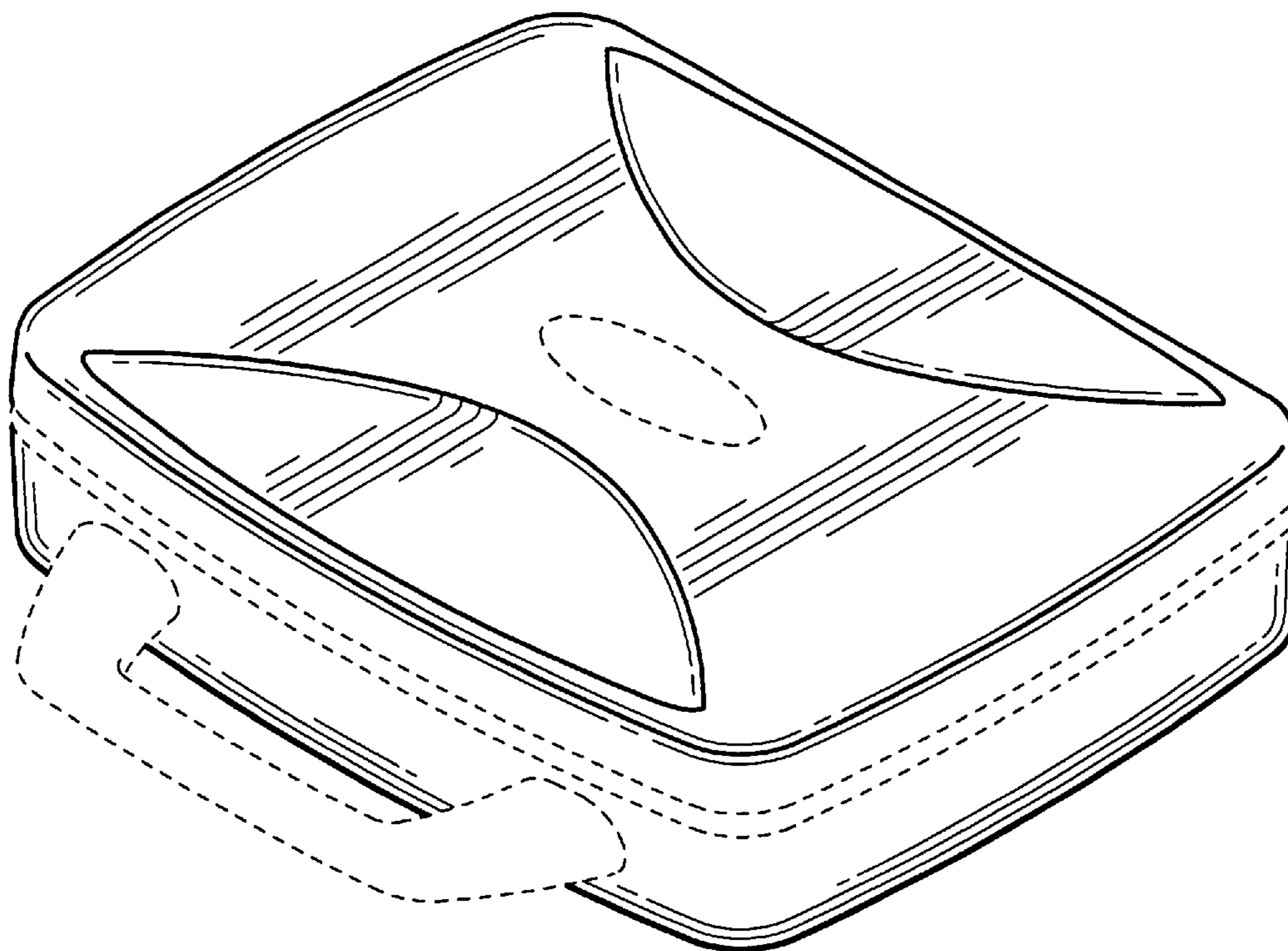
I claim the ornamental design for a carrying case, as shown and described.

**DESCRIPTION**

FIG. 1 is a perspective view of the design for a carrying case; FIG. 2 is a top view of the design of FIG. 1; FIG. 3 is a front elevational view of the design of FIG. 1; FIG. 4 is a rear elevational view of the design of FIG. 1; FIG. 5 is a left side view of the design of FIG. 1, the right side view being a mirror image thereof; and, FIG. 6 is a bottom view of the design of FIG. 1.

The portions shown in broken lines are included for illustrative purpose only and form no part of the claimed design.

**1 Claim, 3 Drawing Sheets**



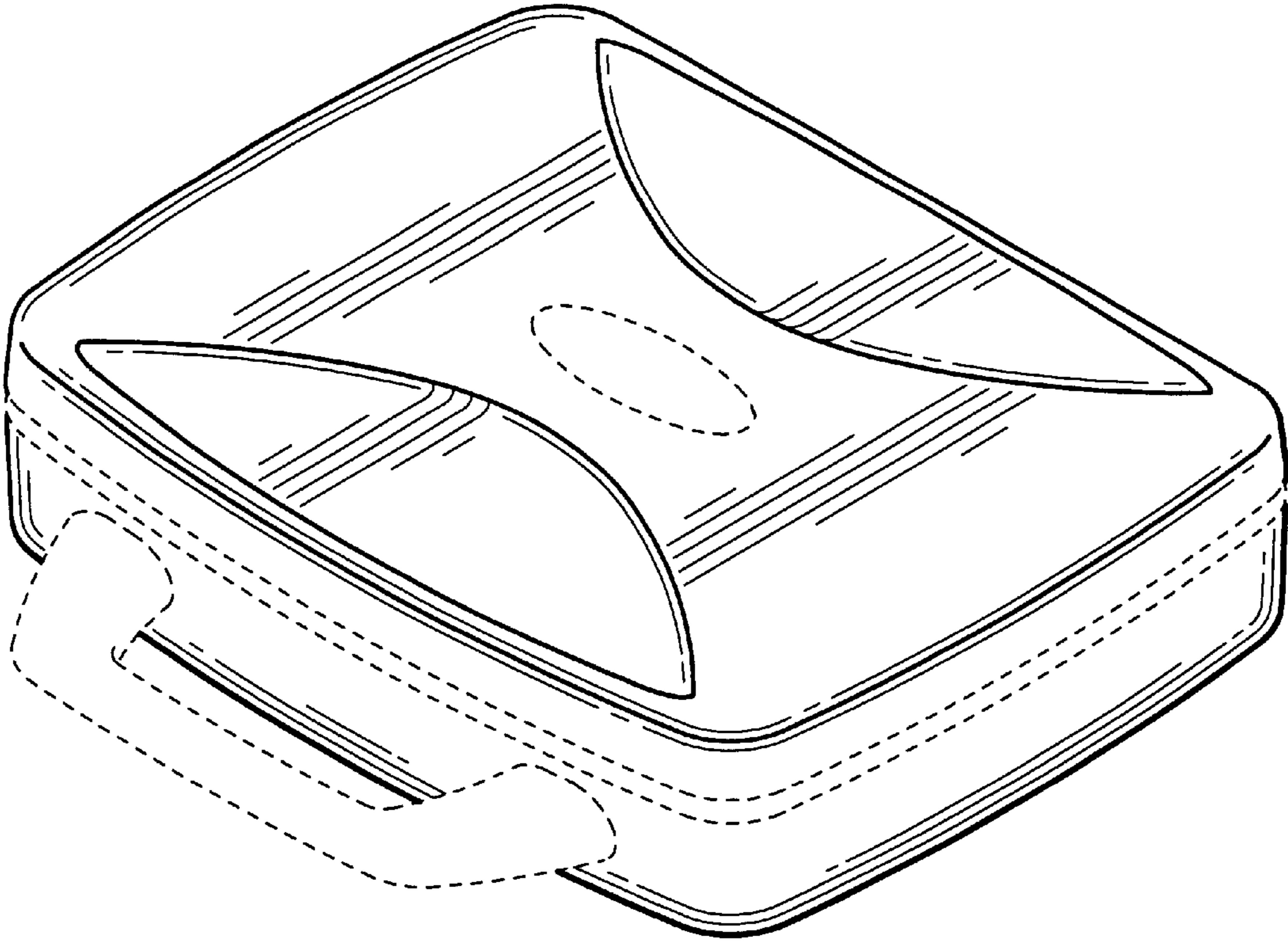
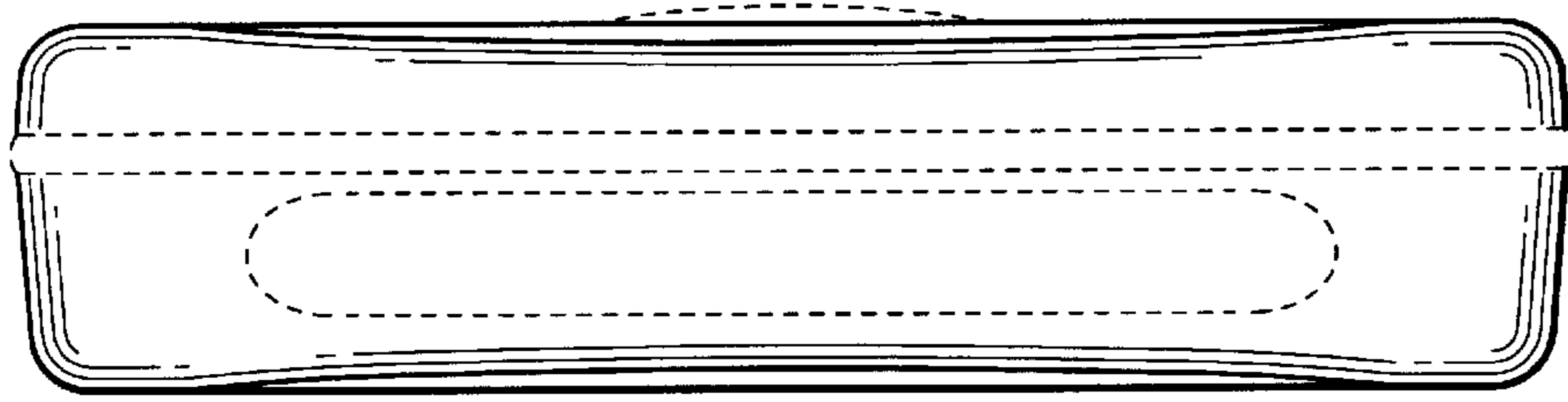
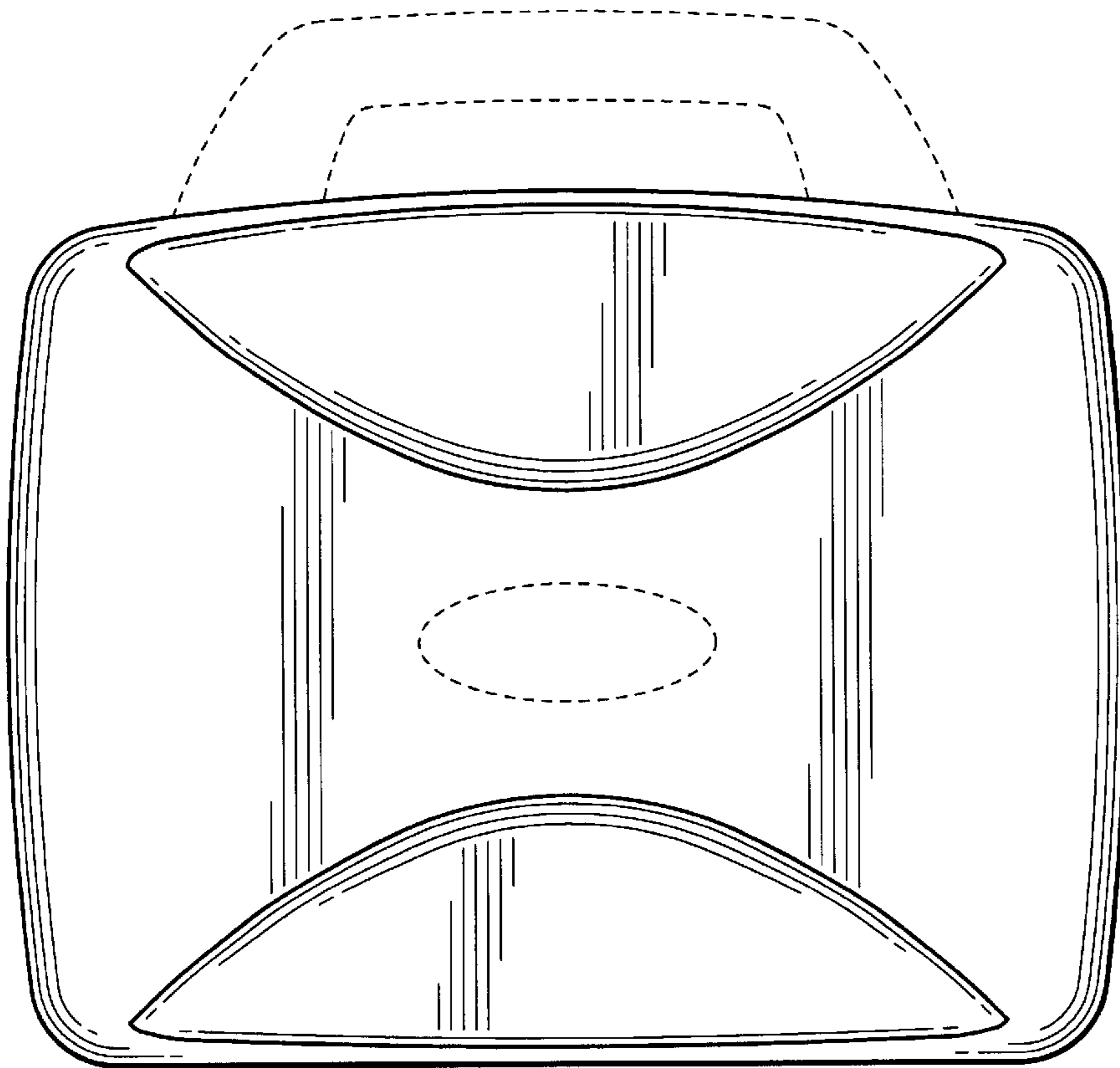


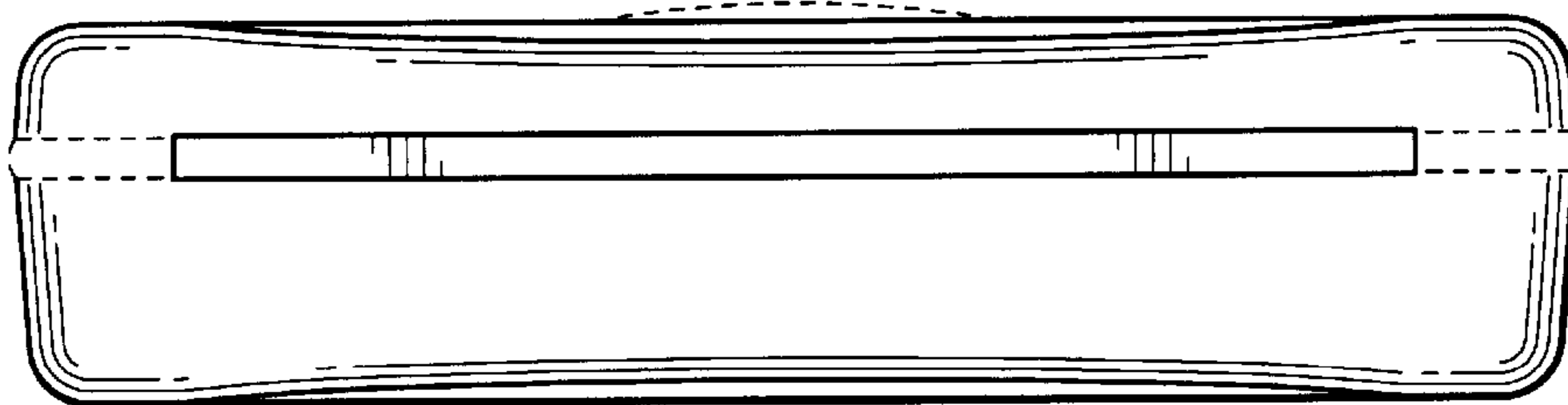
Figure 1



**Figure 3**



**Figure 2**



**Figure 4**

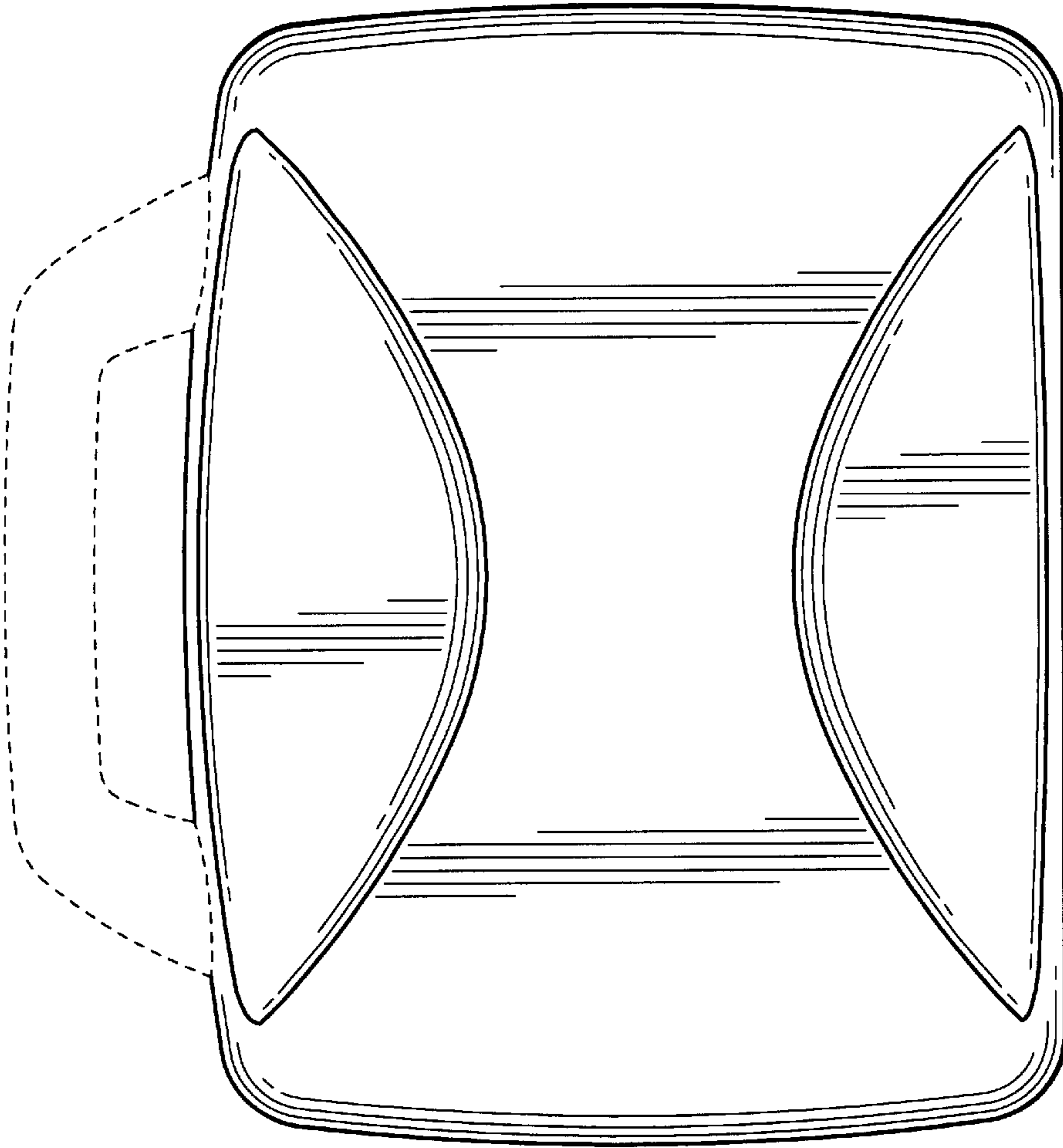


Figure 6

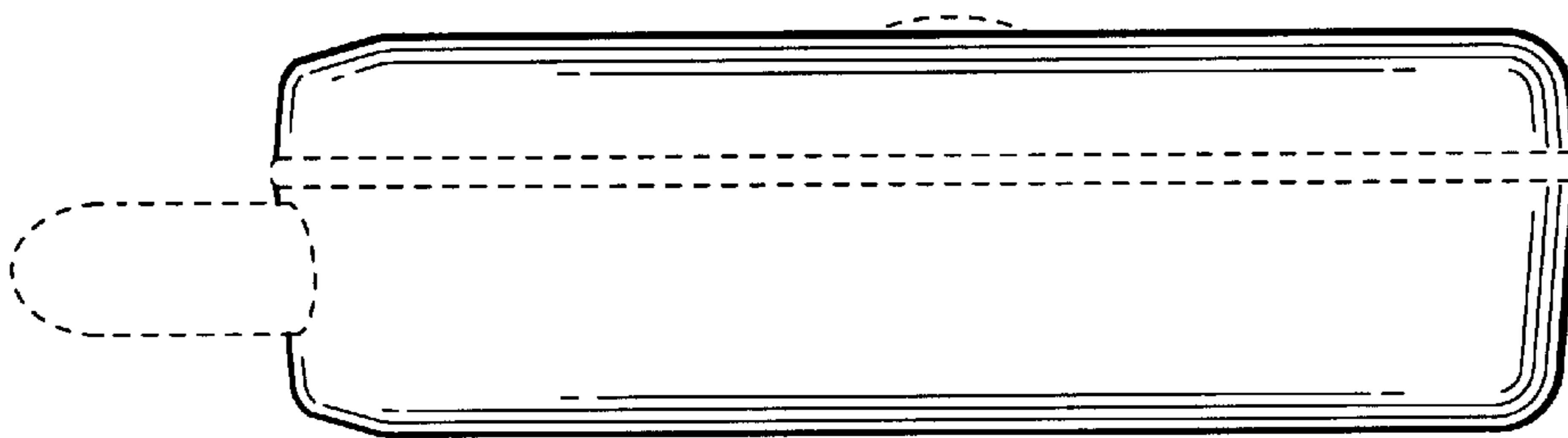


Figure 5