



US00D518628S

(12) **United States Design Patent**
Hatakeyama

(10) **Patent No.:** **US D518,628 S**

(45) **Date of Patent:** **** Apr. 11, 2006**

(54) **TRAINING SHOES FOR BASEBALL**

(75) Inventor: **Yoshihisa Hatakeyama**, Osaka (JP)

(73) Assignee: **Toshihisa Hatakeyama**, Osaka (JP)

(**) Term: **14 Years**

(21) Appl. No.: **29/222,910**

(22) Filed: **Feb. 7, 2005**

(30) **Foreign Application Priority Data**

Aug. 5, 2004 (JP) D2004-023505

(51) **LOC (8) Cl.** **02-99**

(52) **U.S. Cl.** **D2/946; D2/972**

(58) **Field of Classification Search** D2/902,
D2/903, 907, 908, 919, 923, 926, 943, 944,
D2/969, 972-974, 946, 978; 36/45, 50.1,
36/77 M, 77 R, 83, 88, 113, 114, 123-131,
36/4, 8.1; 24/712, 713.4, 714.6

See application file for complete search history.

(56) **References Cited**

U.S. PATENT DOCUMENTS

- 273,393 A * 3/1883 Ritzmann 24/714.6
- 472,711 A * 4/1892 Miles 36/83
- D135,238 S * 3/1943 Bingham, Jr. D2/973
- 5,184,378 A * 2/1993 Batra 24/714.6

- D336,358 S * 6/1993 Hatfield D2/973
- D337,425 S * 7/1993 Hatfield D2/973
- D346,686 S * 5/1994 Hatfield D2/973
- 5,412,852 A * 5/1995 Smaragdus 24/712
- D397,858 S * 9/1998 Cass D2/972

* cited by examiner

Primary Examiner—Dominic Simone

(74) *Attorney, Agent, or Firm*—Armstrong, Kratz, Quintos,
Hanson & Brooks, LLP

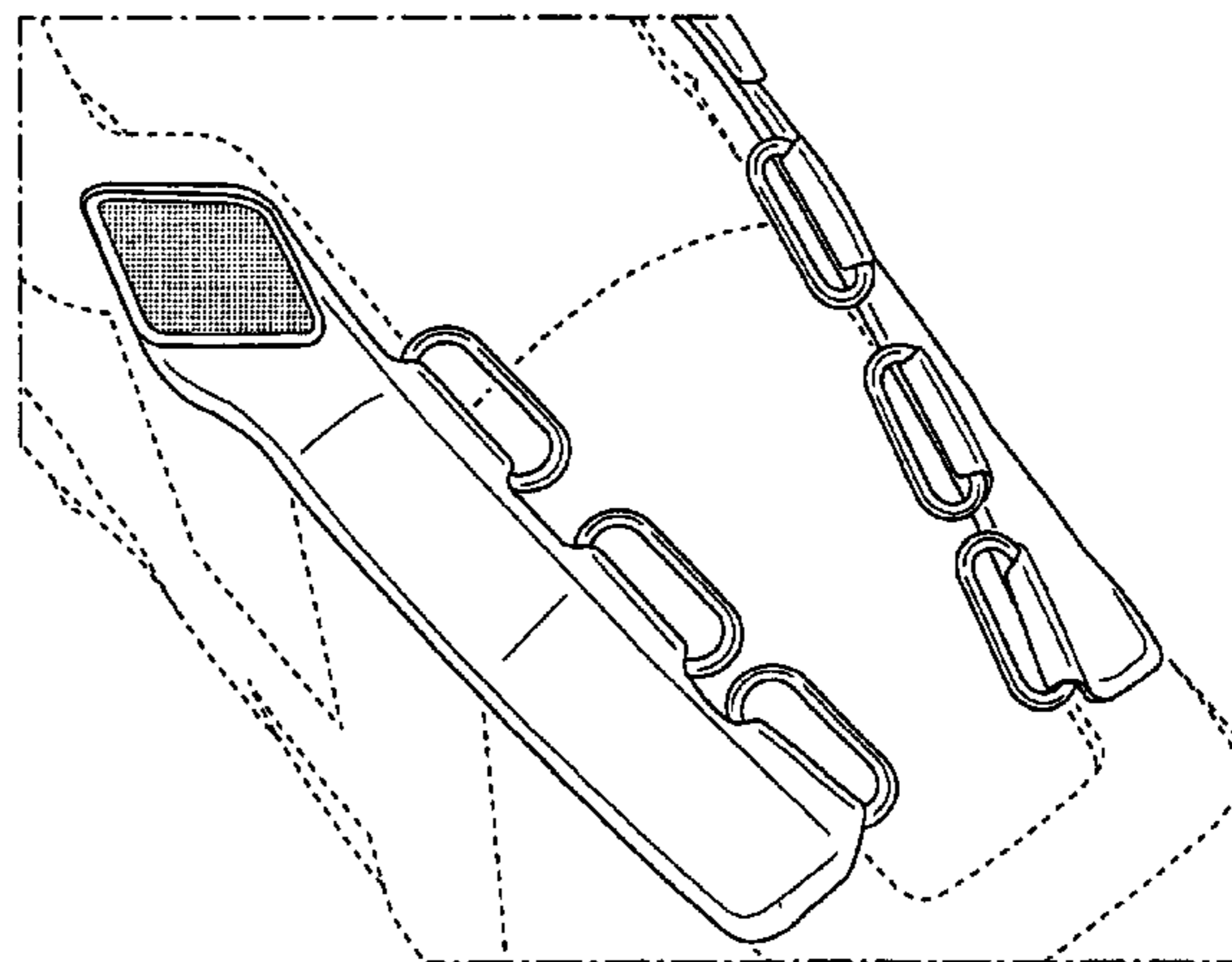
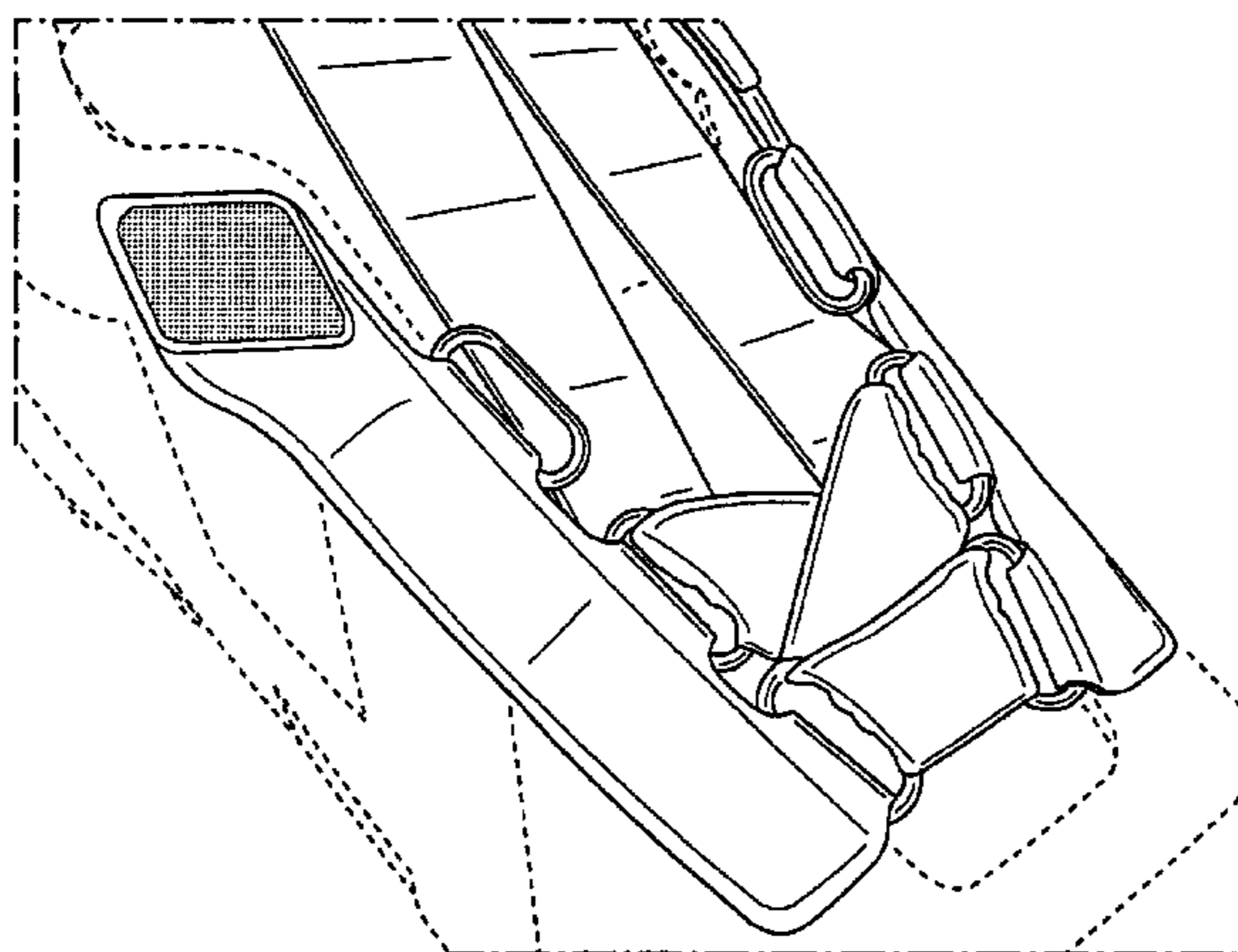
(57) **CLAIM**

The ornamental design for training shoes for baseball, as shown and described.

DESCRIPTION

FIG. 1 is a front view of the training shoes for baseball of the present invention;
 FIG. 2 is a rear view thereof;
 FIG. 3 is a left side view thereof;
 FIG. 4 is a right side view thereof;
 FIG. 5 is a top view thereof;
 FIG. 6 is a bottom view thereof;
 FIG. 7 is a right perspective view thereof;
 FIG. 8 is a left perspective view thereof;
 FIG. 9 is a close up view of the shoe with the shoe laces; and,
 FIG. 10 is a view of the shoe without the shoe laces.

1 Claim, 10 Drawing Sheets



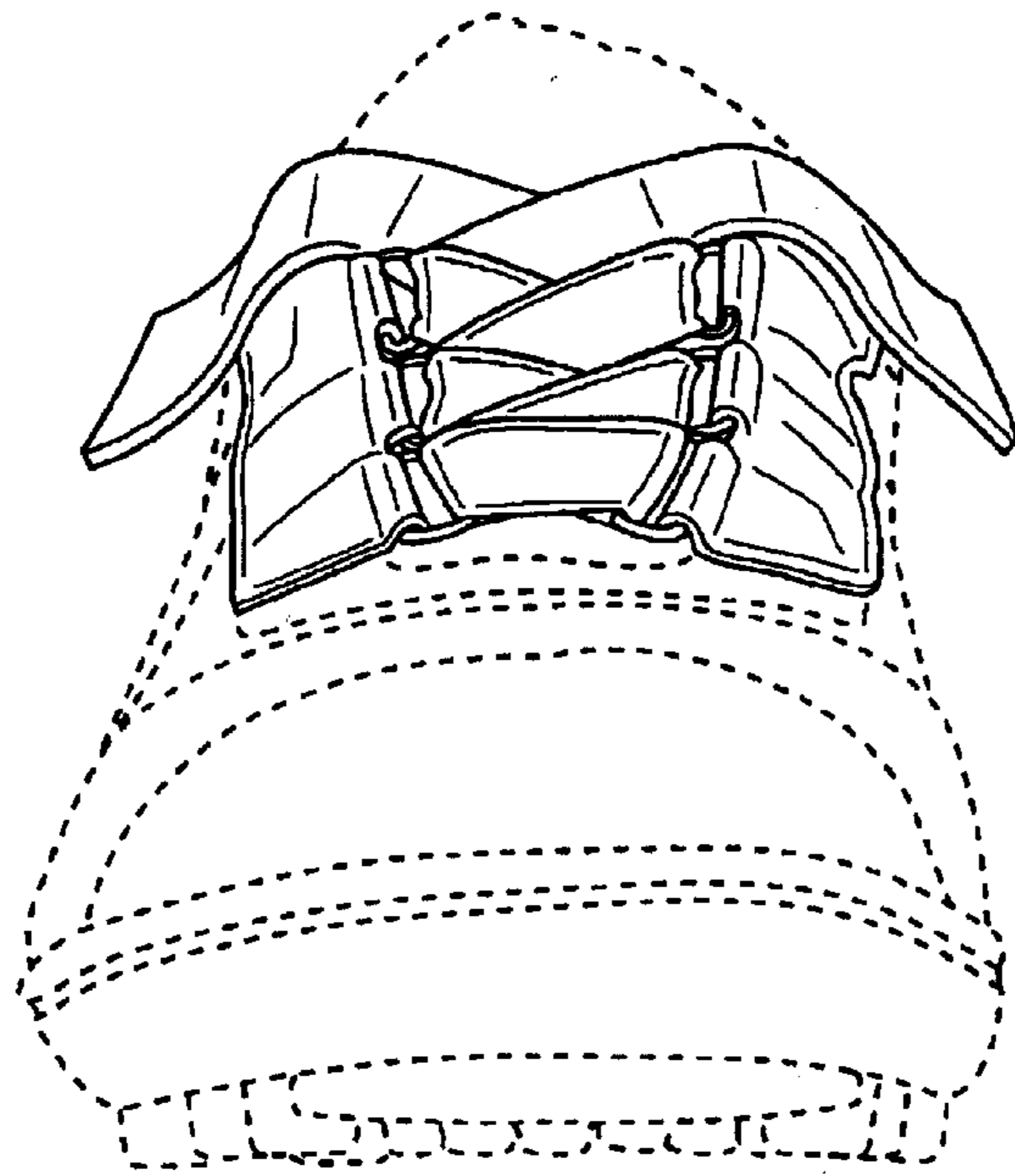


FIG.1

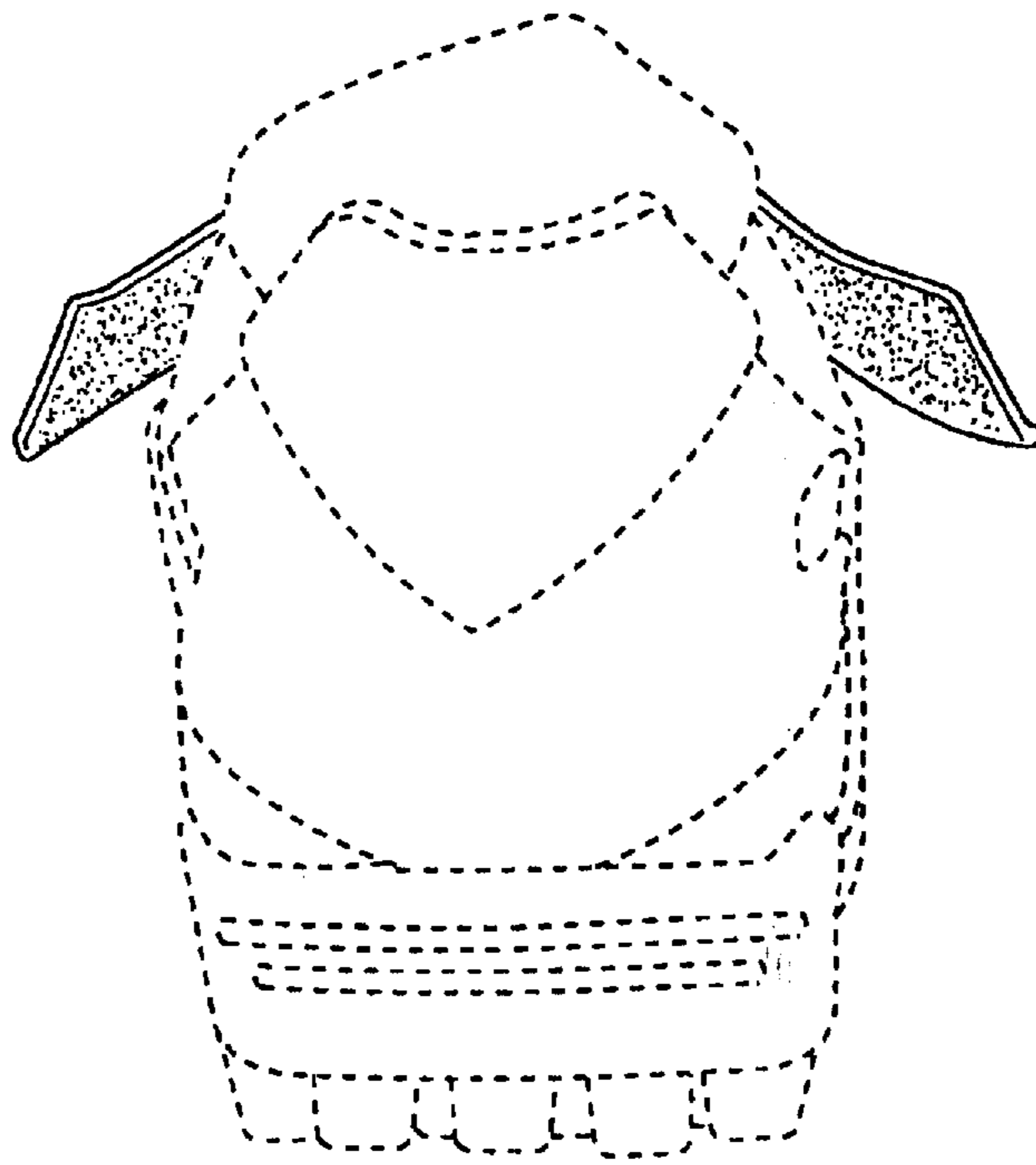


FIG.2

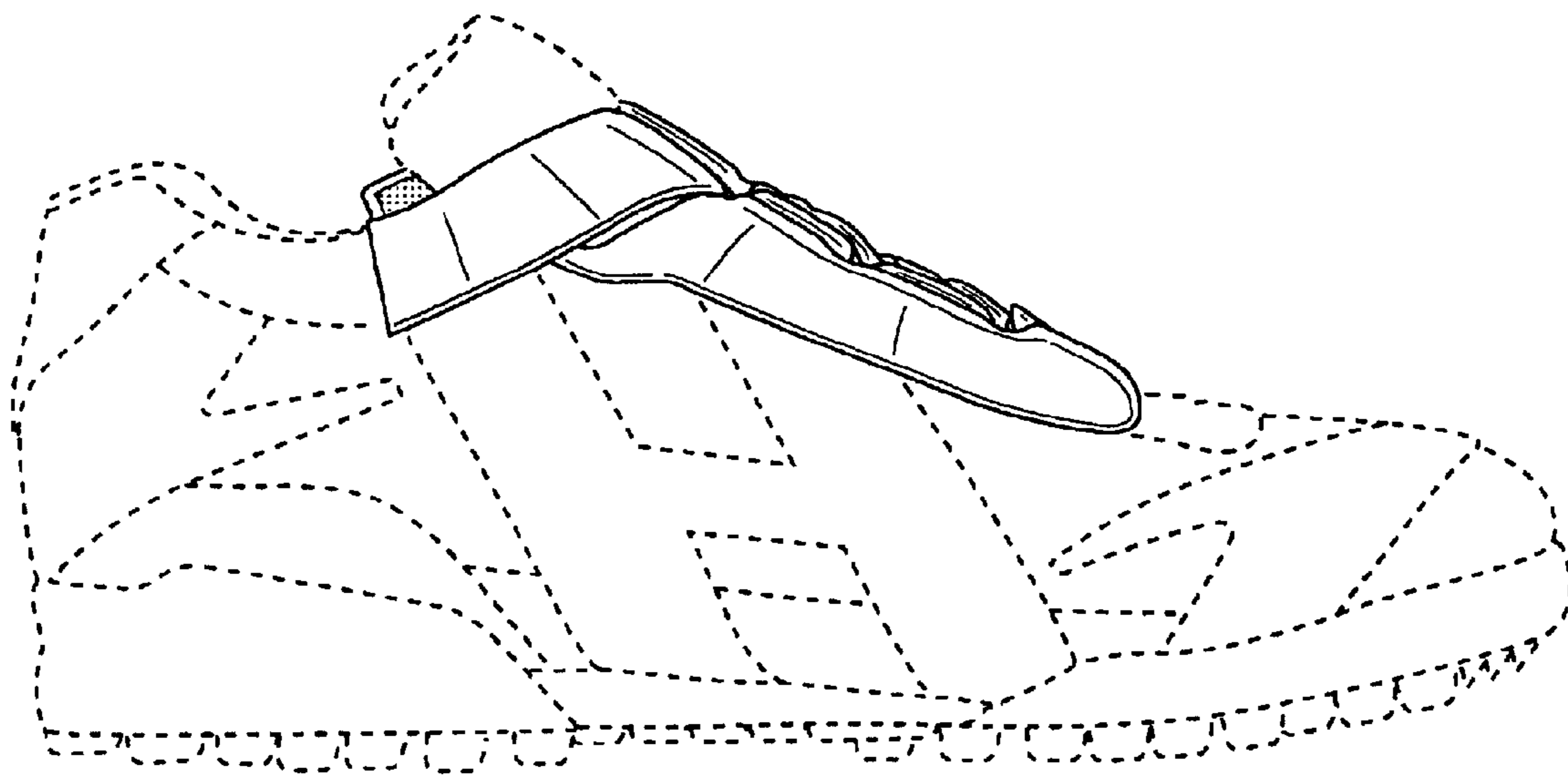


FIG.3

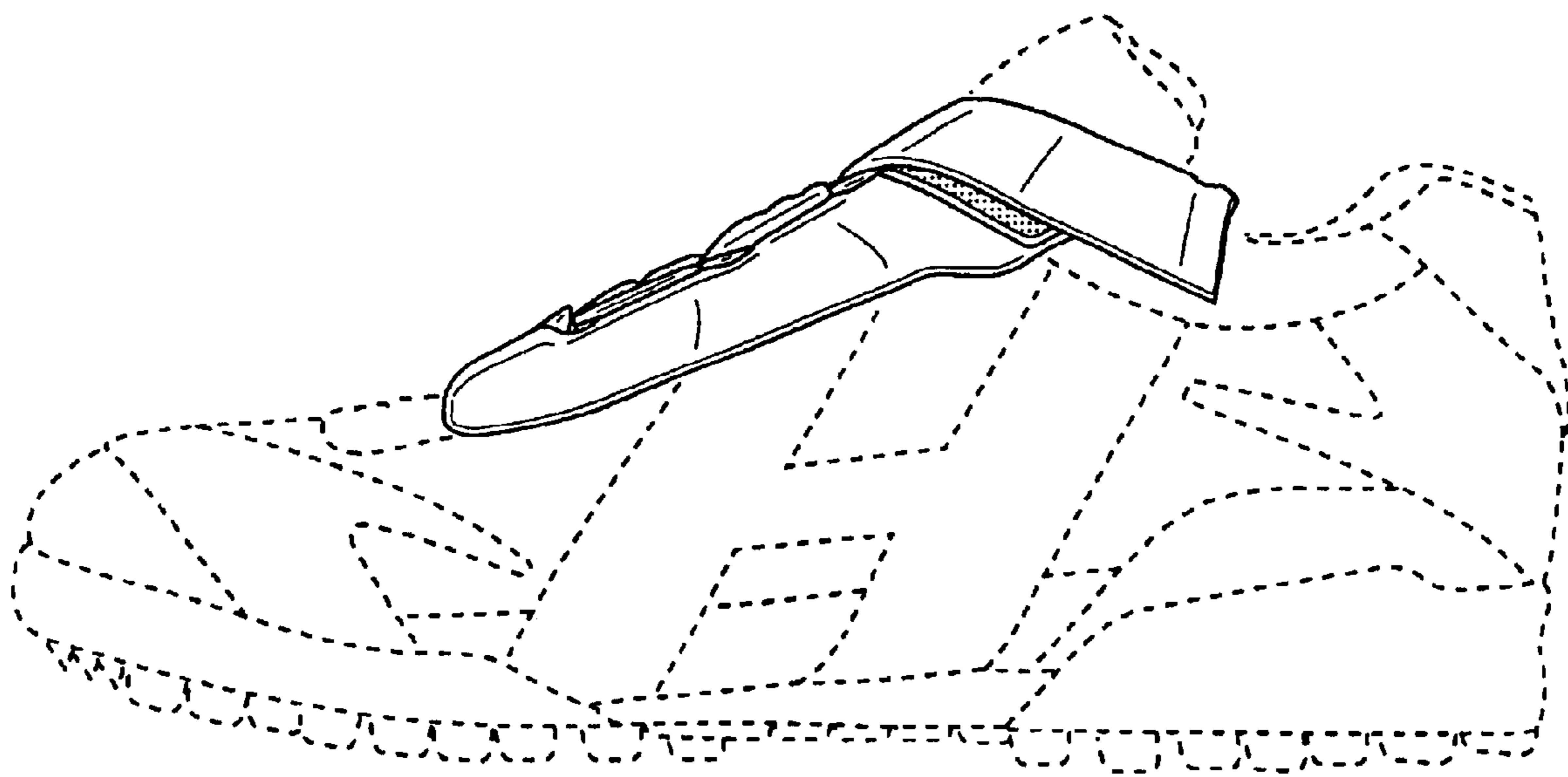


FIG. 4

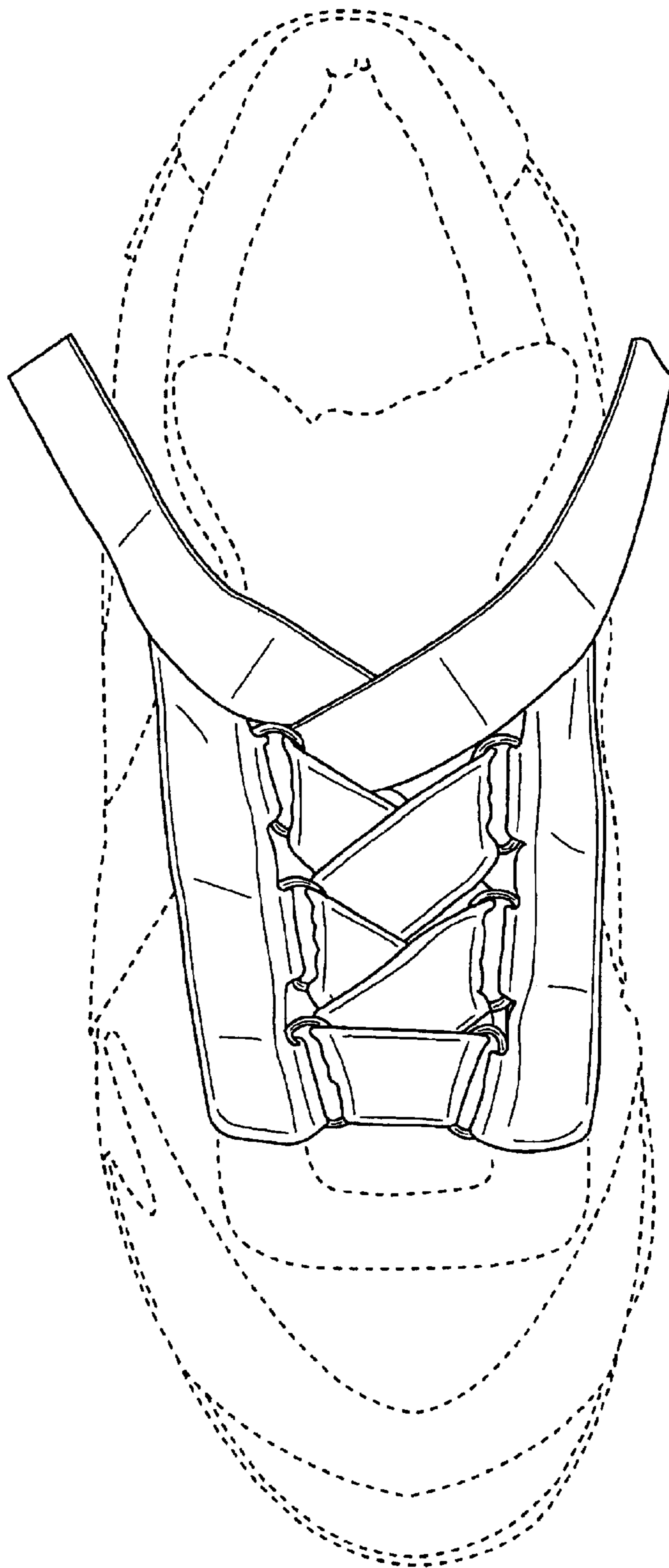


FIG.5

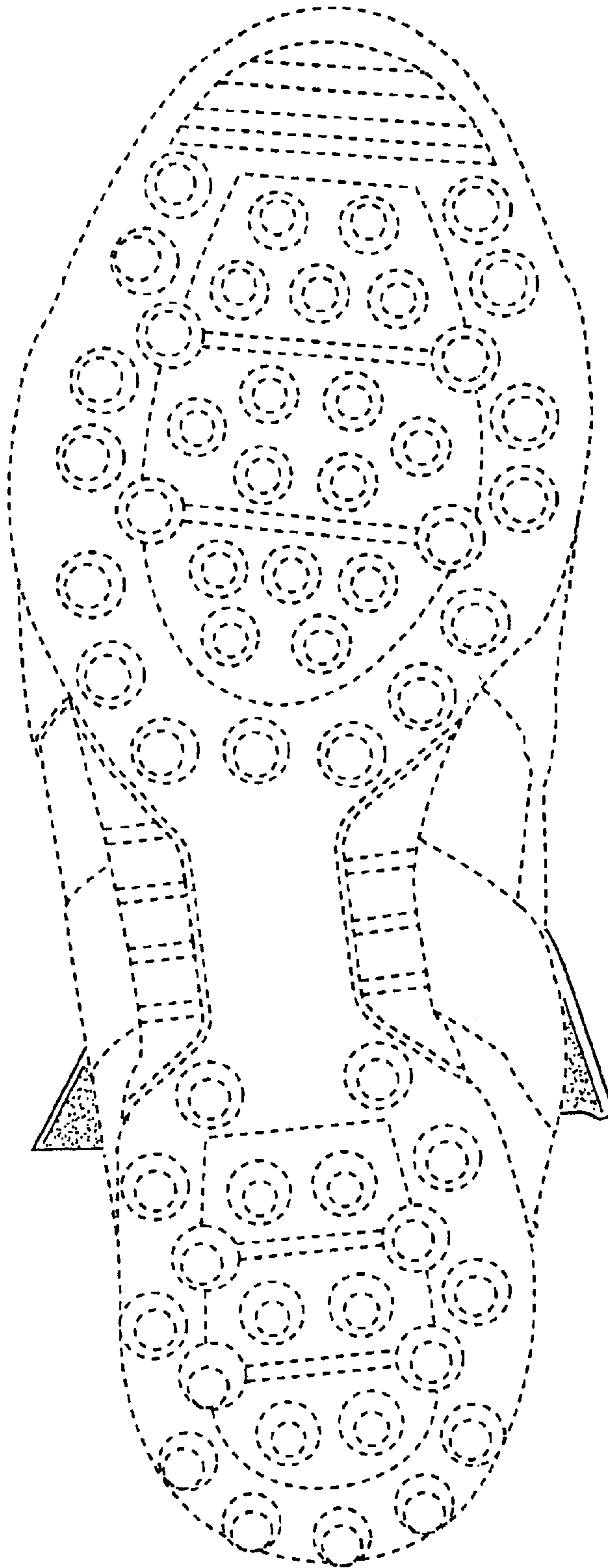


FIG.6

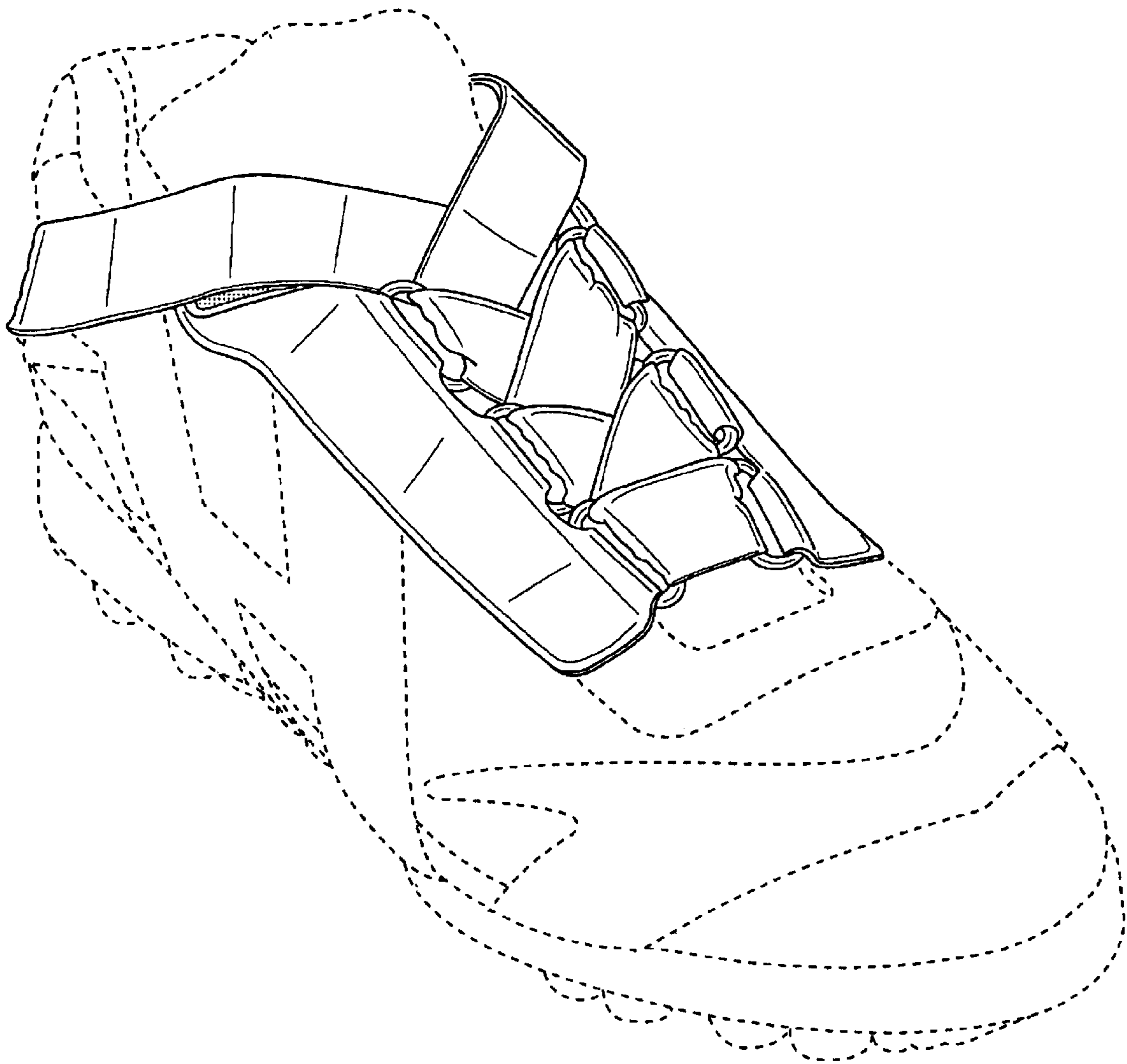


FIG. 7

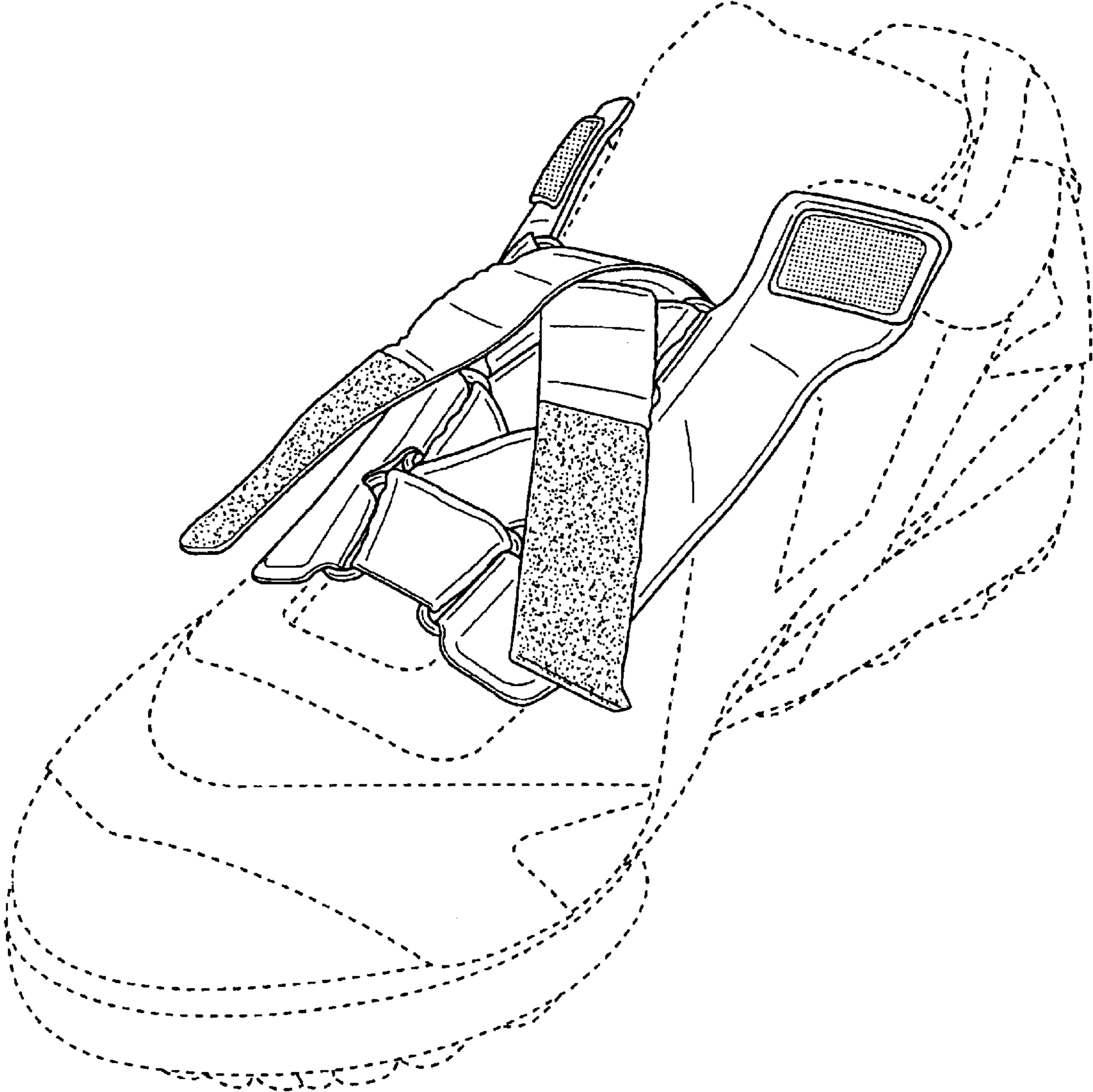


FIG.8

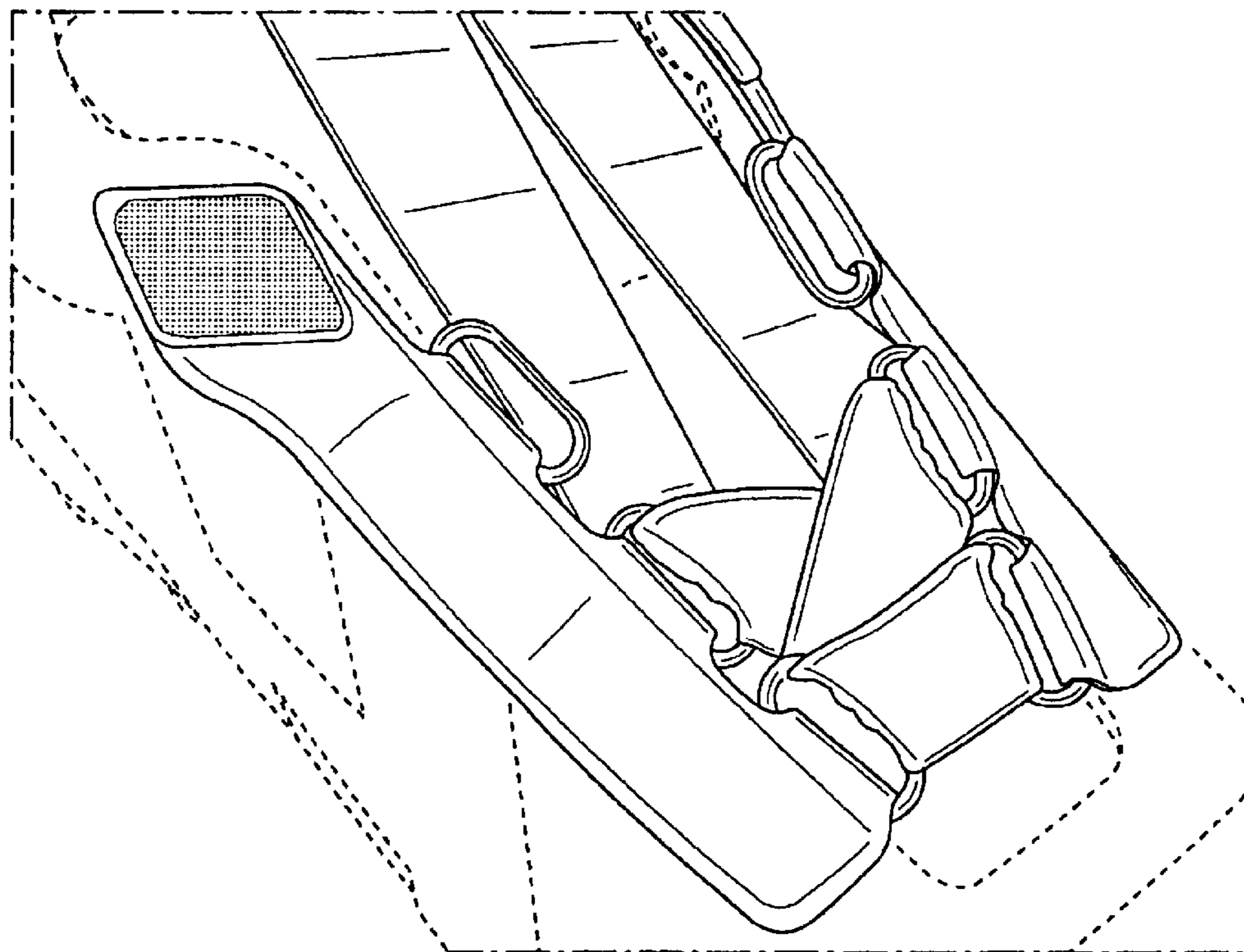


FIG.9

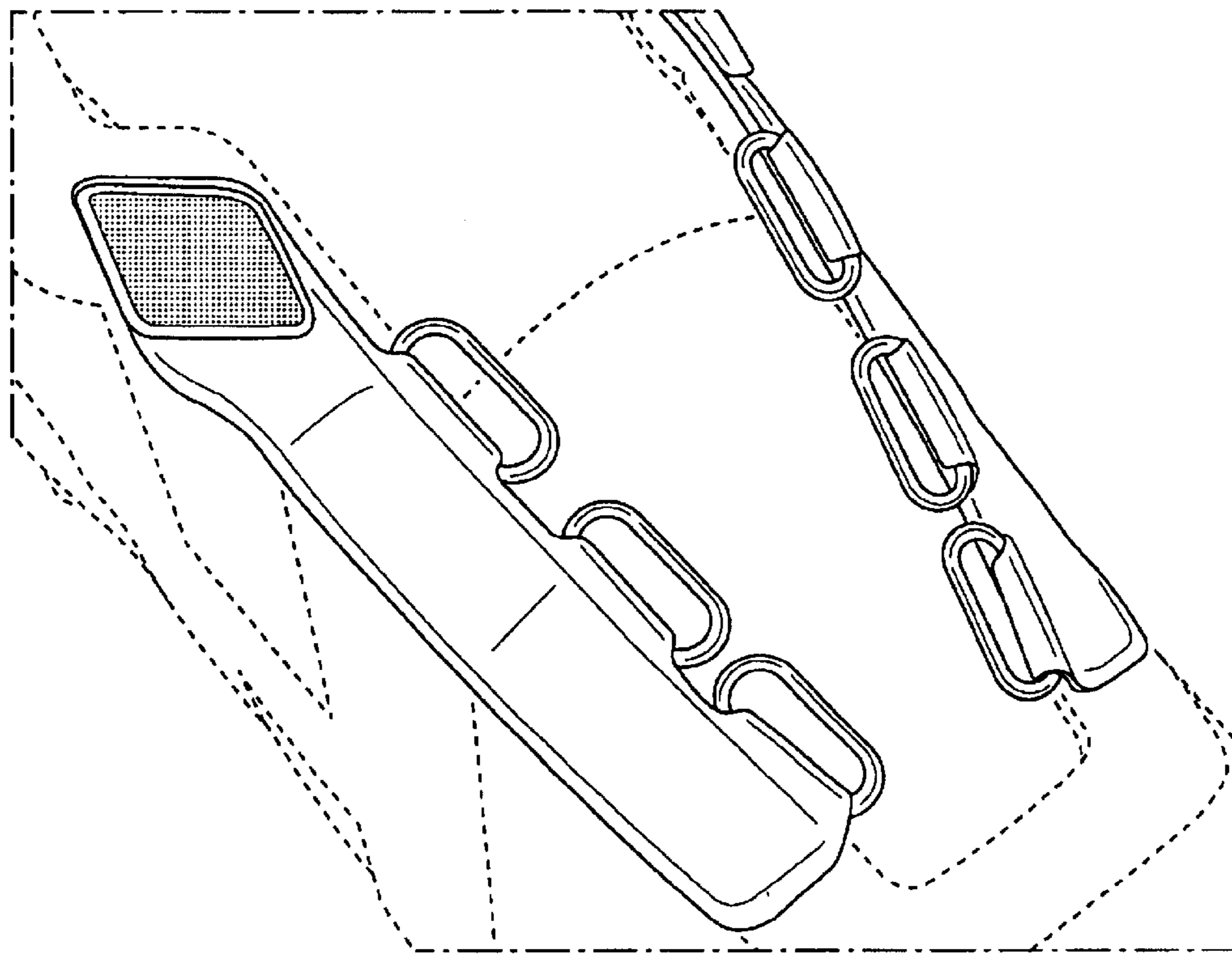


FIG.10