

US00D518626S

(12) **United States Design Patent**
Peterson

(10) **Patent No.:** **US D518,626 S**
(45) **Date of Patent:** **** Apr. 11, 2006**

- (54) **HEADGEAR VISOR**
 - (75) Inventor: **Leroy L. Peterson**, Omaha, NE (US)
 - (73) Assignee: **Sportsstuff, Inc.**, Omaha, NE (US)
 - (**) Term: **14 Years**
 - (21) Appl. No.: **29/214,974**
 - (22) Filed: **Oct. 11, 2004**
 - (51) **LOC (8) Cl.** **02-03**
 - (52) **U.S. Cl.** **D2/882**
 - (58) **Field of Classification Search** D2/865,
D2/869, 870-872, 875, 876, 879, 882, 884,
D2/886, 891, 893; 2/171.1, 172, 12, 175.11,
2/75.3, 175.5, 181, 182.1, 195.1-195.3, 195.6,
2/195.7, 209.11, 209.12, 209.3; D1/130;
D21/301, 302, 308, 436; 273/424; 446/46,
446/74
- See application file for complete search history.

- 6,079,052 A 6/2000 Veridiano
- 6,174,214 B1 * 1/2001 Cooper 446/46
- D452,767 S * 1/2002 Balloni et al. D2/882
- 6,408,443 B1 * 6/2002 Park 2/195.1
- D459,861 S * 7/2002 Park D2/876
- D462,507 S * 9/2002 Bishop et al. D2/869
- D475,840 S * 6/2003 Park D2/893
- D478,710 S * 8/2003 Yan D2/882
- D492,094 S * 6/2004 Park D2/893

* cited by examiner

Primary Examiner—Robert M. Spear
Assistant Examiner—Mary Ann Calabrese
(74) *Attorney, Agent, or Firm*—Sturm & Fix LLP

(57) **CLAIM**

The ornamental design for a headgear visor, as shown and described.

DESCRIPTION

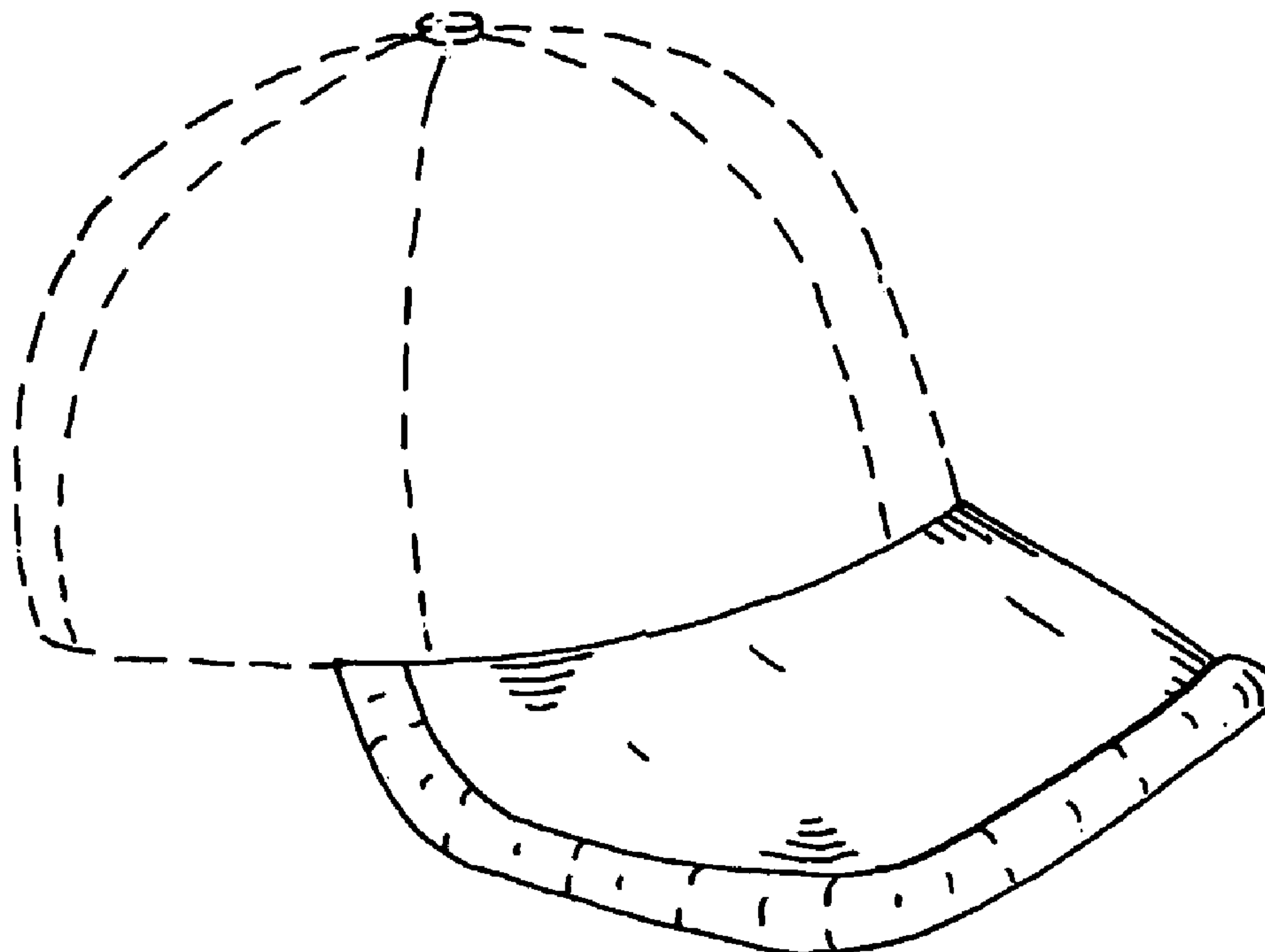
FIG. 1 is a perspective view of the headgear visor showing my new design, the dashed line showing of the crown of a baseball style cap does not form a part of the claim, and is included only to show a headgear environment in which the invention may be found;
FIG. 2 is a side elevational view of the headgear visor;
FIG. 3 is a top plan view thereof;
FIG. 4 is a front elevational view thereof;
FIG. 5 is a rear elevational view thereof; and,
FIG. 6 is a bottom plan view thereof.

(56) **References Cited**

U.S. PATENT DOCUMENTS

- D130,160 S * 10/1941 Simon D2/893
- D186,868 S * 12/1959 De Grazia D2/882
- 4,241,533 A * 12/1980 Newsome 446/46
- 4,839,934 A 6/1989 Rojas
- 5,119,514 A 6/1992 Woehl
- 5,615,413 A 4/1997 Bower
- D393,735 S * 4/1998 Paulucci D1/130
- D419,281 S * 1/2000 Croft D2/891

1 Claim, 2 Drawing Sheets



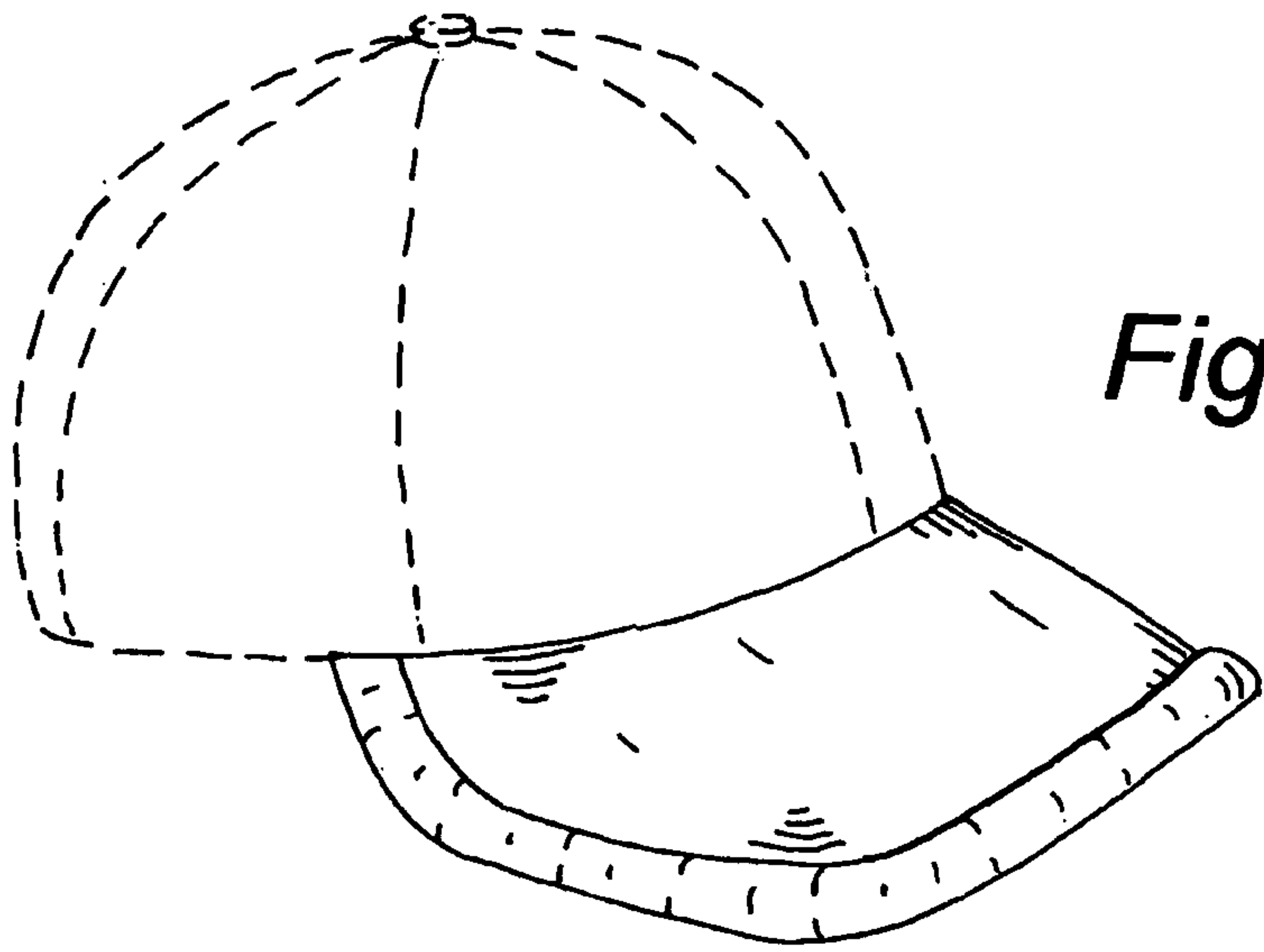


Fig. 1

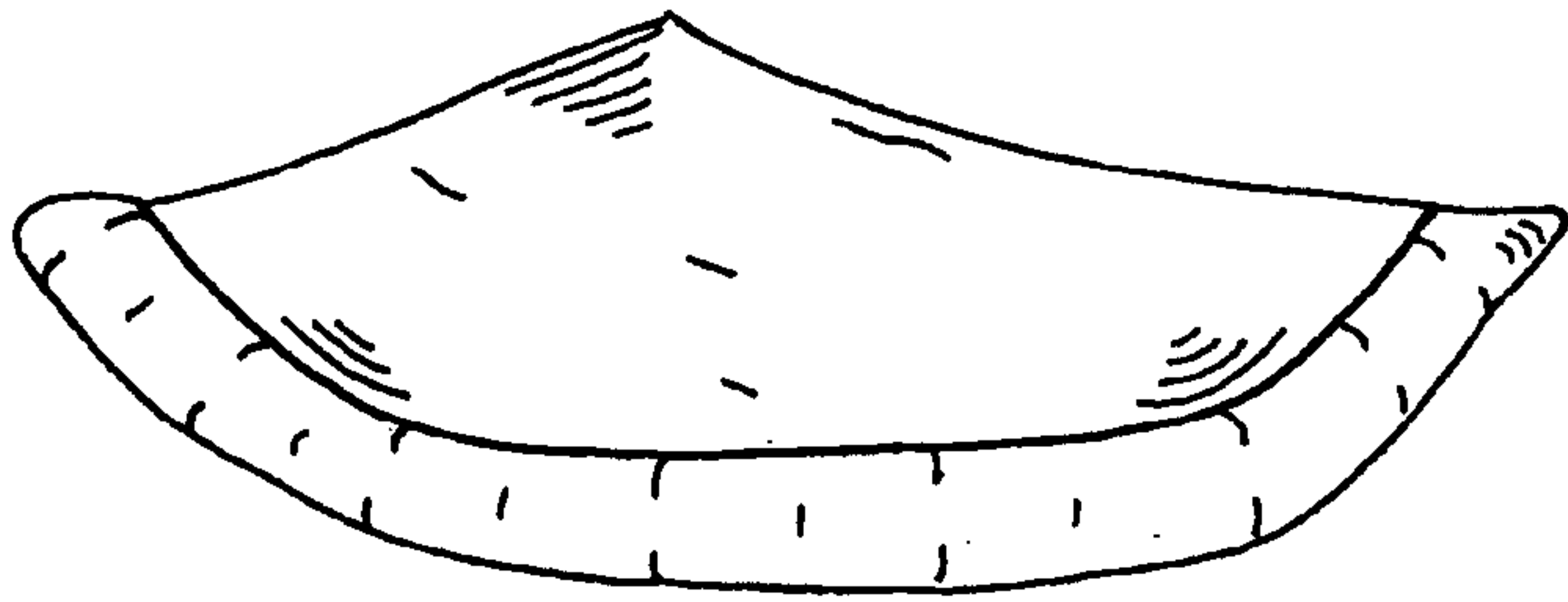


Fig. 2

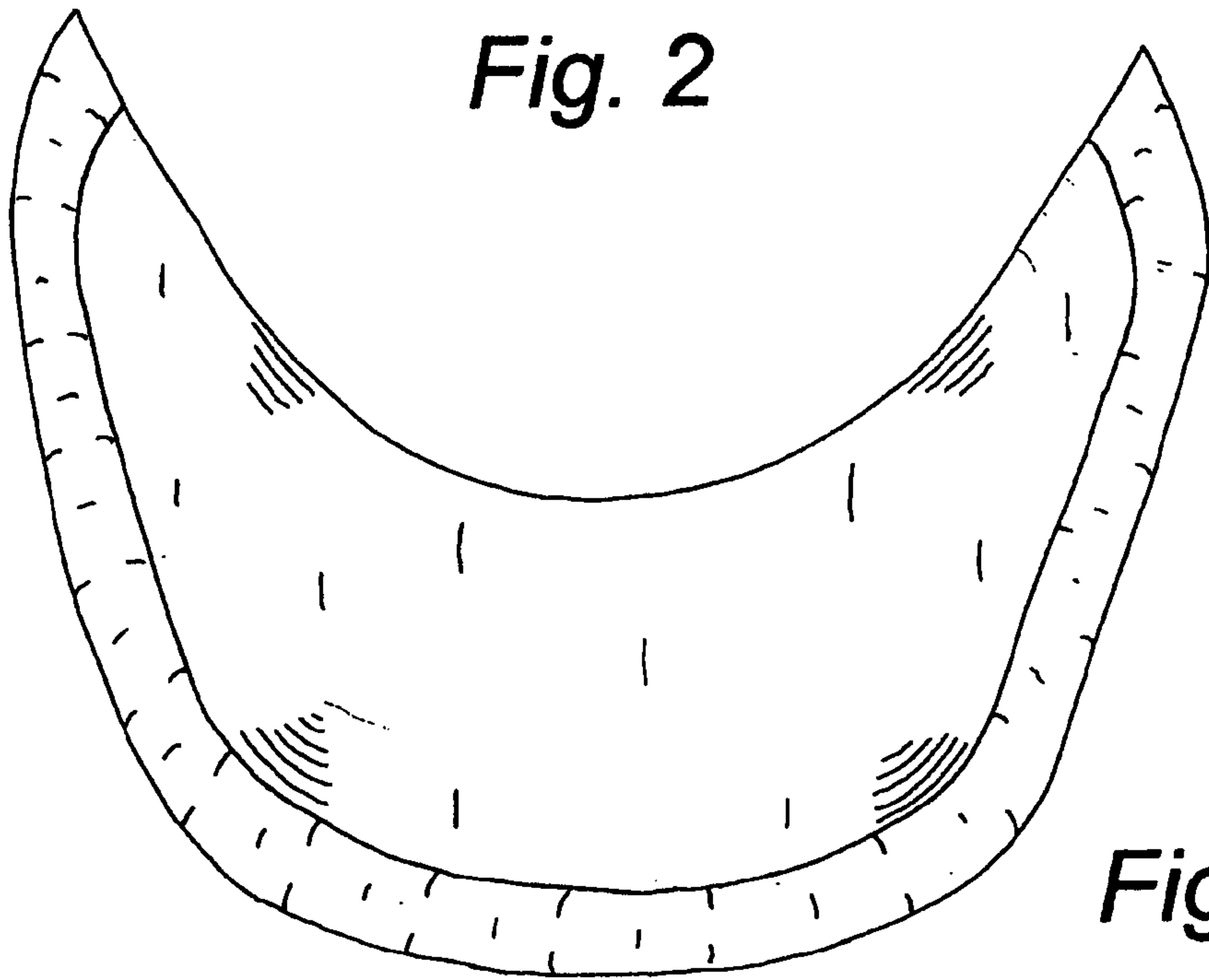


Fig. 3

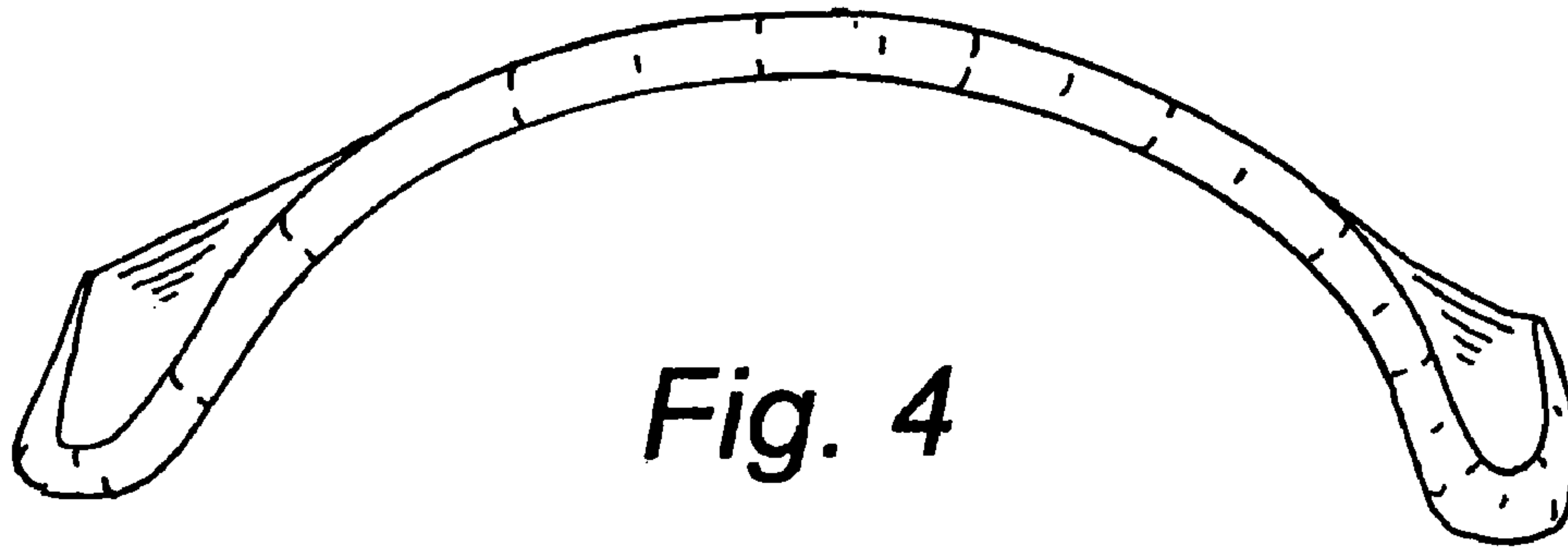


Fig. 4

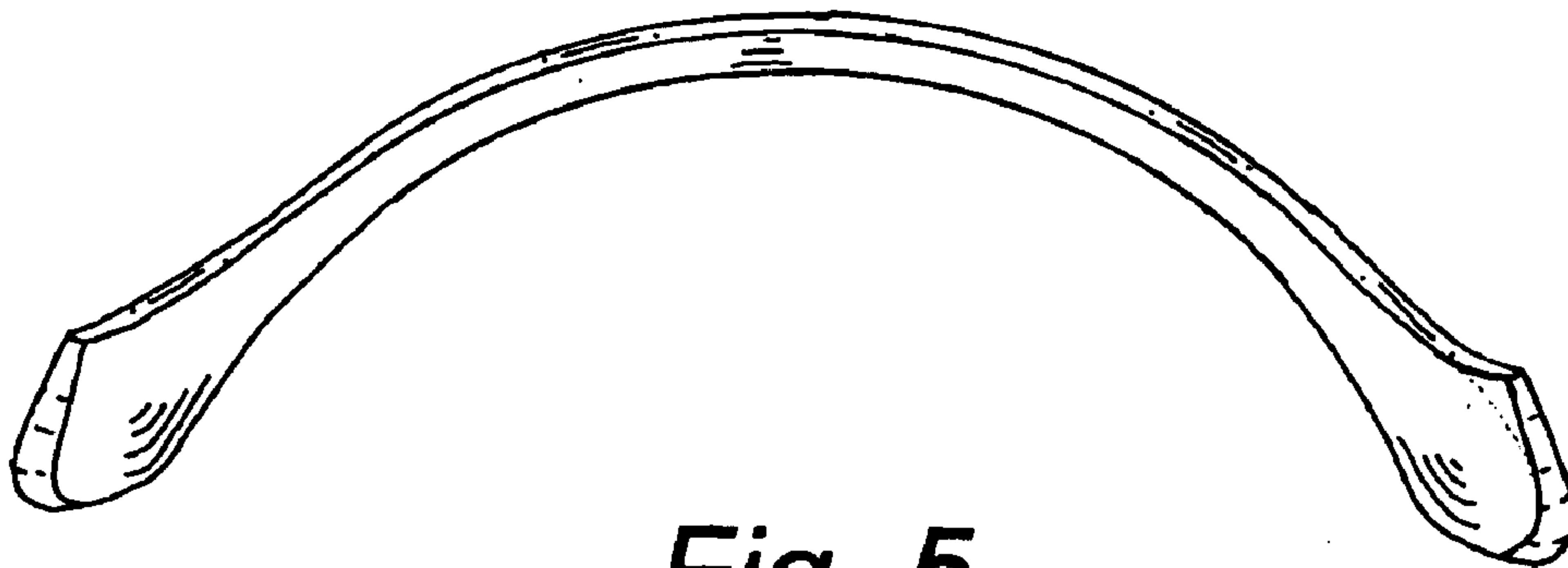


Fig. 5

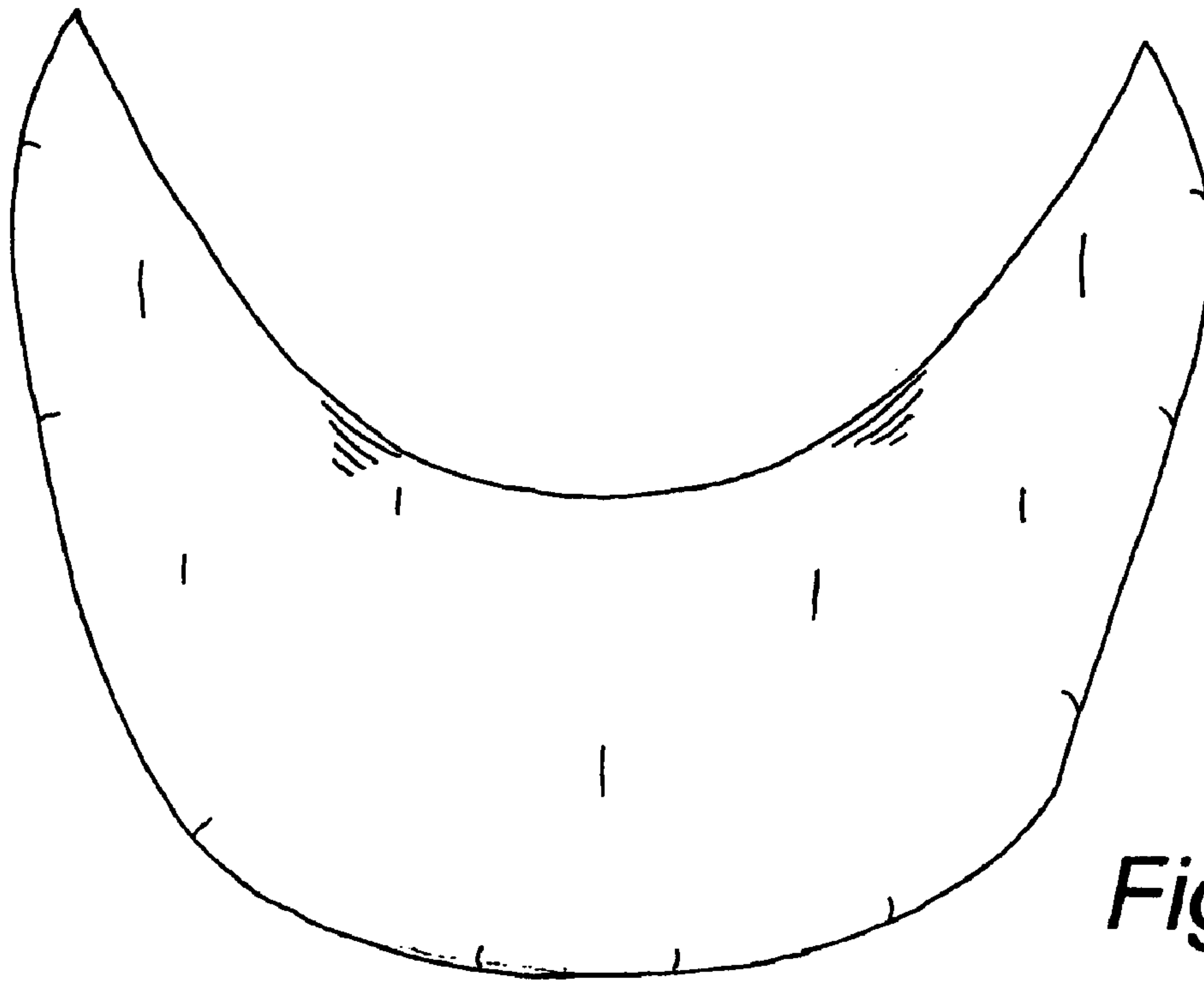


Fig. 6