



US00D518623S

(12) **United States Design Patent**
Matechen

(10) **Patent No.:** **US D518,623 S**
(45) **Date of Patent:** **** Apr. 11, 2006**

- (54) **GLOVE PAD**
 - (75) Inventor: **John M. Matechen**, Irwin, PA (US)
 - (73) Assignee: **Impact Innovative Products, LLC**,
Manor, PA (US)
 - (**) Term: **14 Years**
 - (21) Appl. No.: **29/208,456**
 - (22) Filed: **Jun. 29, 2004**
 - (51) **LOC (8) Cl.** **02-06**
 - (52) **U.S. Cl.** **D2/623**
 - (58) **Field of Classification Search** D2/610,
D2/616-621, 623; D24/190; D29/113, 116.2,
D29/117.1, 117.2, 123; 2/16, 20, 159, 160,
2/161.1-161.8
- See application file for complete search history.

- 5,898,938 A 5/1999 Baylor et al.
- 5,987,642 A 11/1999 Webster
- 6,052,827 A 4/2000 Widdemer
- 6,226,795 B1 5/2001 Winningham
- 6,425,134 B1 7/2002 Huang
- D466,672 S 12/2002 Noell
- D471,343 S 3/2003 Sun
- 6,701,529 B1 3/2004 Rhoades et al.
- 6,721,960 B1 4/2004 Levesque et al.
- 6,775,847 B1 8/2004 Terris et al.
- 2002/0152536 A1 10/2002 Kurody et al.
- 2004/0103465 A1 6/2004 Kleinert
- 2004/0123372 A1 7/2004 Kleinert

OTHER PUBLICATIONS

Internal web pages for PALMGARD products—4 pages—dated Jul. 29, 2003.
Advertisement for AliMed ® inc., entitled “AliMed ® Our most popular Impact Mitts” (2002).

* cited by examiner

Primary Examiner—Robert A. Delehanty
(74) *Attorney, Agent, or Firm*—The Webb Law Firm

(56) **References Cited**

U.S. PATENT DOCUMENTS

- 61,841 A 2/1867 Lewis
- 363,829 A 5/1887 Jennings
- D38,191 S 8/1906 Easterly
- 1,162,821 A 12/1915 Taylor
- 1,279,855 A 9/1918 Garvey
- 1,627,382 A 5/1927 Golomb
- 2,242,318 A * 5/1941 Mosier D29/117.1
- RE22,167 E 8/1942 Wells et al.
- 3,108,285 A 10/1963 Turnidge et al.
- 3,890,648 A 6/1975 Beal
- 4,272,849 A 6/1981 Thurston et al.
- 4,556,992 A 12/1985 Drury
- 4,561,122 A 12/1985 Stanley et al.
- D287,904 S 1/1987 Pierce, Jr.
- D299,564 S 1/1989 Pierce, Jr.
- 4,911,433 A 3/1990 Walker et al.
- 5,067,175 A 11/1991 Gold
- 5,285,529 A 2/1994 Arena
- D362,927 S 10/1995 McCrane
- D387,504 S 12/1997 Robinette
- 5,697,104 A 12/1997 Welton
- D391,684 S 3/1998 Cooper
- 5,819,312 A 10/1998 Snyder et al.

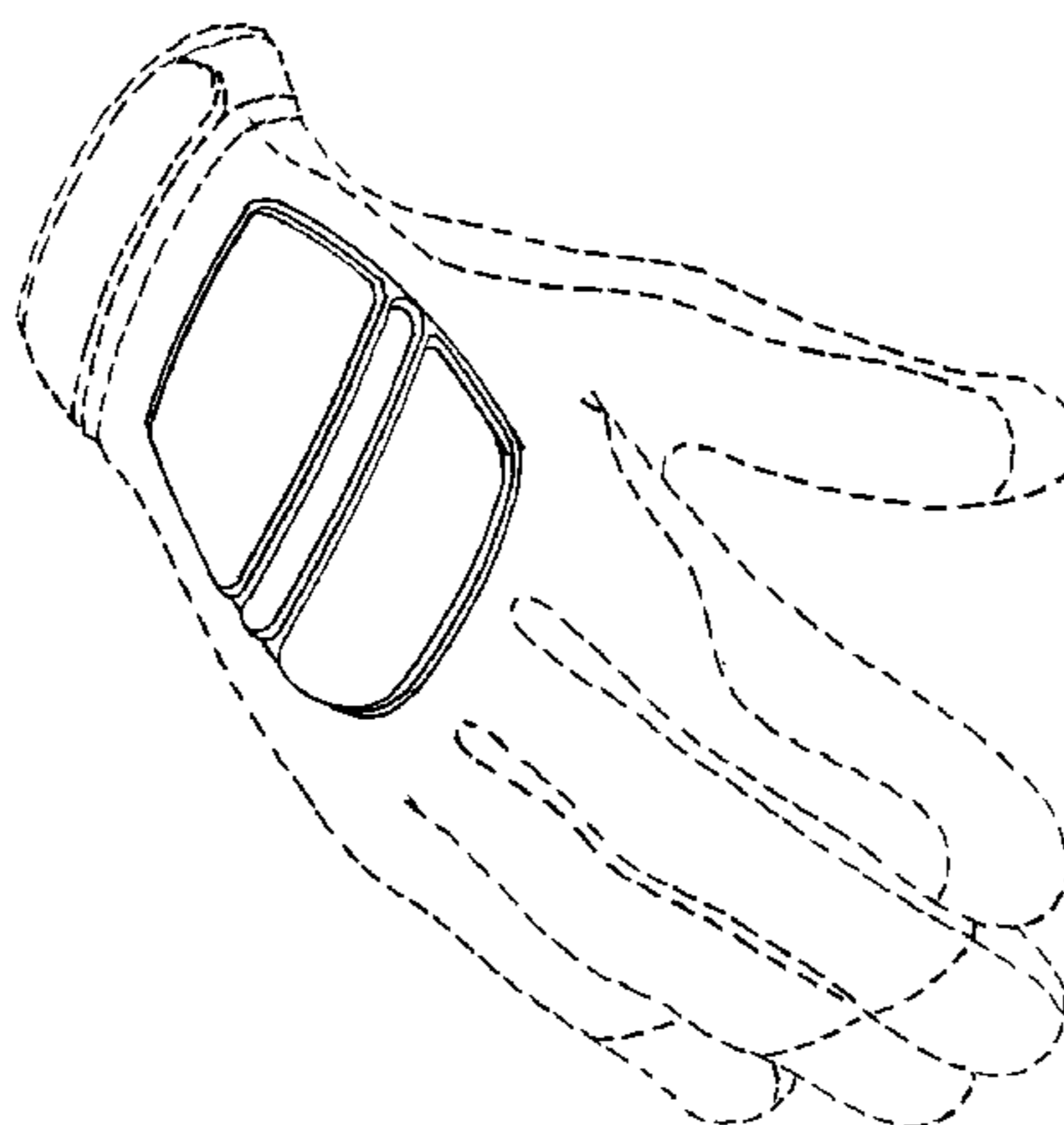
(57) **CLAIM**

The ornamental design for a glove pad, as shown and described.

DESCRIPTION

FIG. 1 is a perspective view of a glove pad in accordance with the subject invention;
FIG. 2 is a top view of the glove pad in accordance with the subject invention;
FIG. 3 is a side view along arrows 3—3 in FIG. 2;
FIG. 4 is a side view along arrows 4—4 in FIG. 2;
FIG. 5 is a side view from the right side of the glove pad in FIG. 2; and,
FIG. 6 is a side view from the left side of the glove pad in FIG. 2.
The bottom view of FIG. 2 is omitted because it is plain and unornamental.
The broken lines illustrated herein are environmental only and not part of the claimed design.

1 Claim, 2 Drawing Sheets



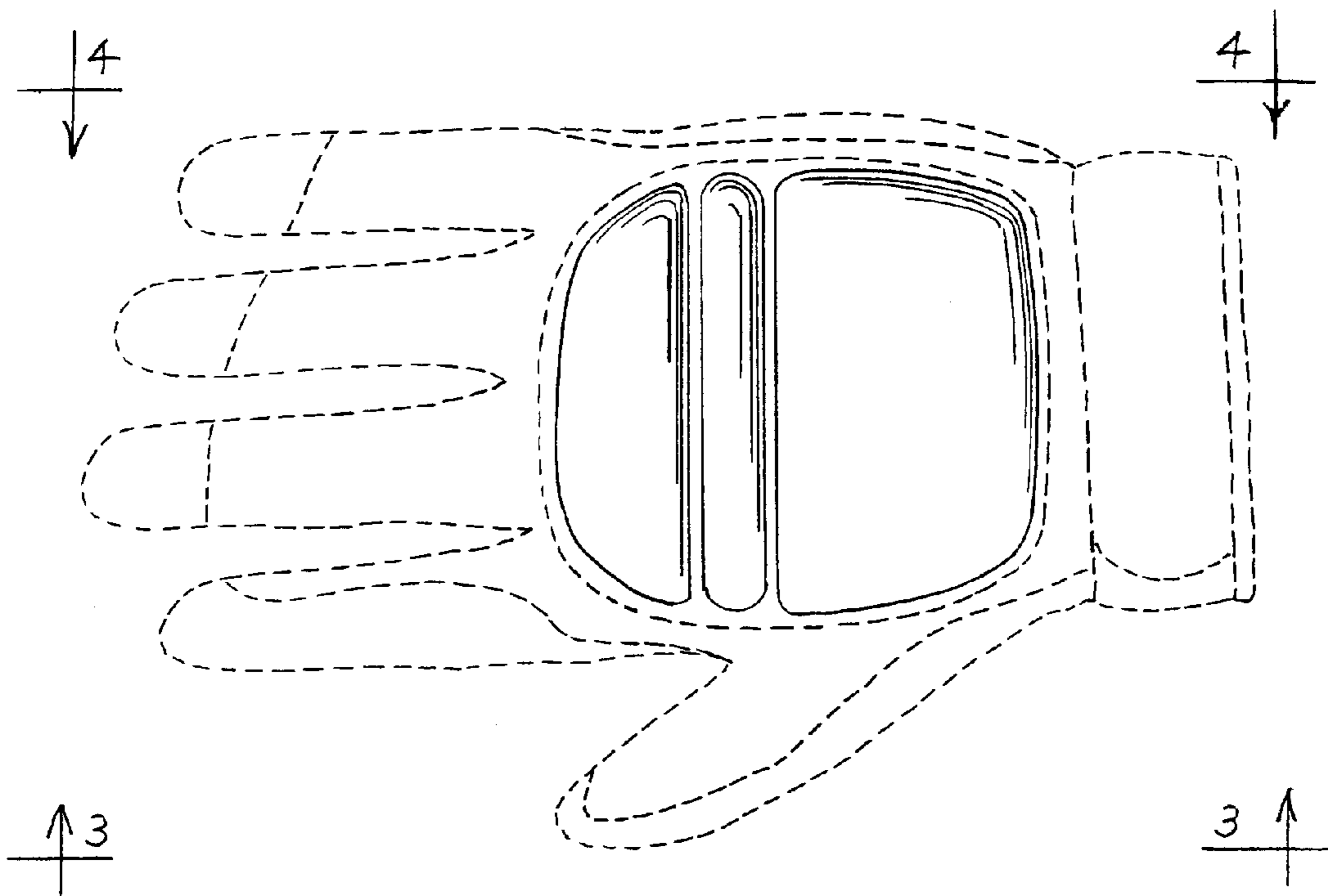


FIG. 2

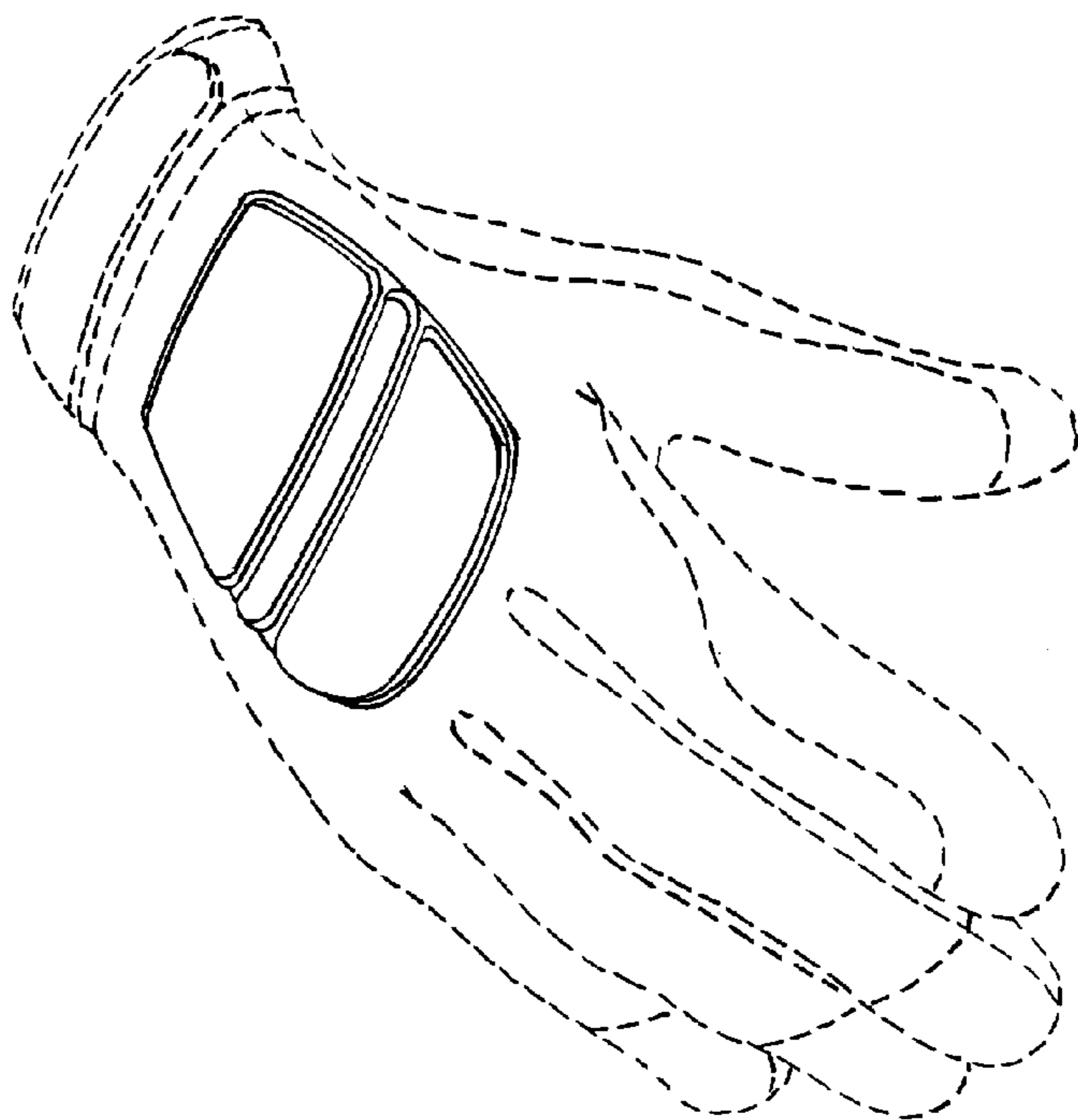


FIG. 1

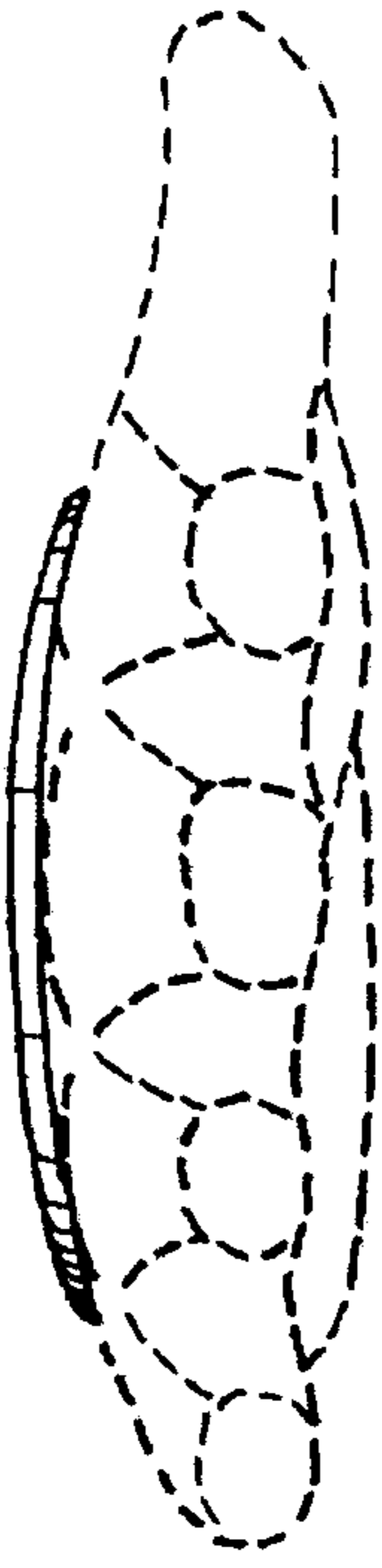


FIG. 5

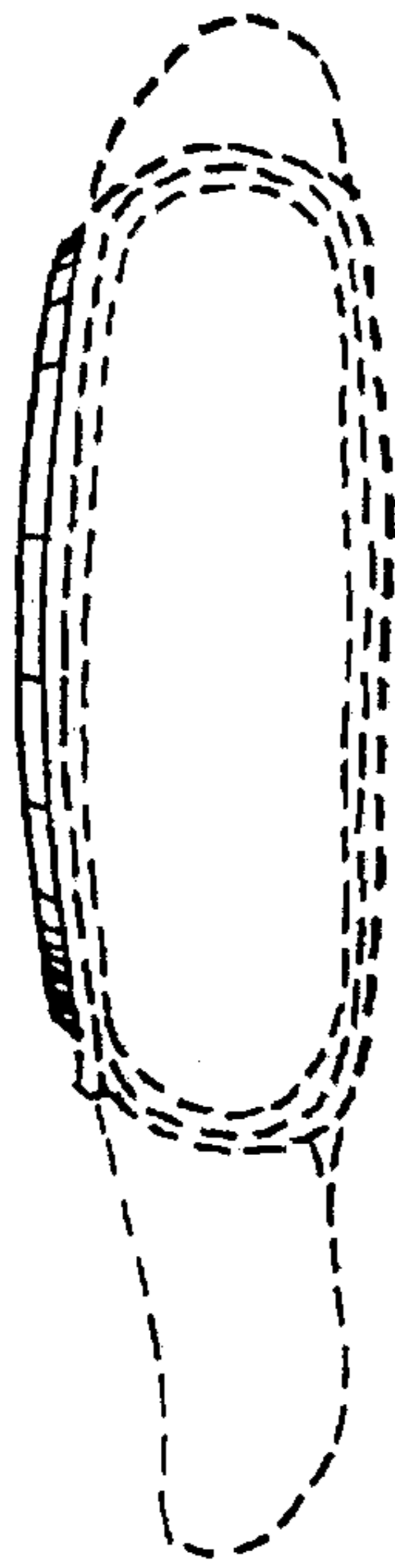


FIG. 6

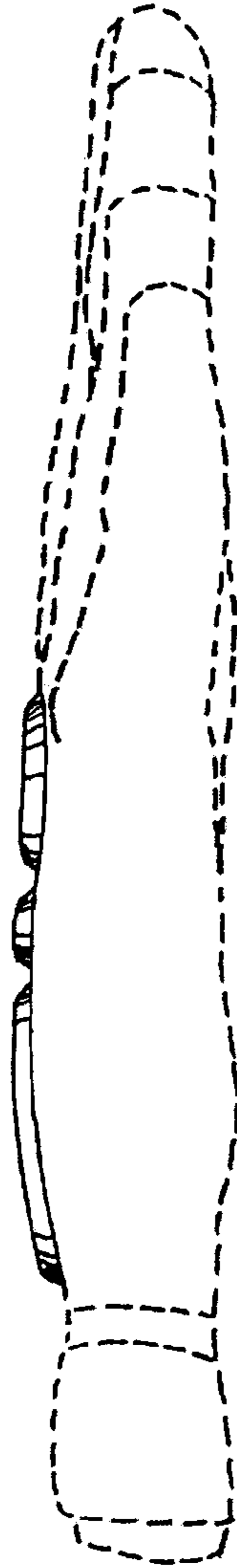


FIG. 4



FIG. 3

UNITED STATES PATENT AND TRADEMARK OFFICE
CERTIFICATE OF CORRECTION

PATENT NO. : Des. 518,623 S
APPLICATION NO. : 29/208456
DATED : April 11, 2006
INVENTOR(S) : John Matechen

Page 1 of 3

It is certified that error appears in the above-identified patent and that said Letters Patent is hereby corrected as shown below:

The corrected drawing (specifically FIG. 2) did not issue in the patent.
Please substitute the attached Replacement Sheets 1-2 for those printed on the patent.

Signed and Sealed this

Eighteenth Day of September, 2007

A handwritten signature in black ink on a light gray dotted background. The signature reads "Jon W. Dudas" in a cursive style.

JON W. DUDAS

Director of the United States Patent and Trademark Office

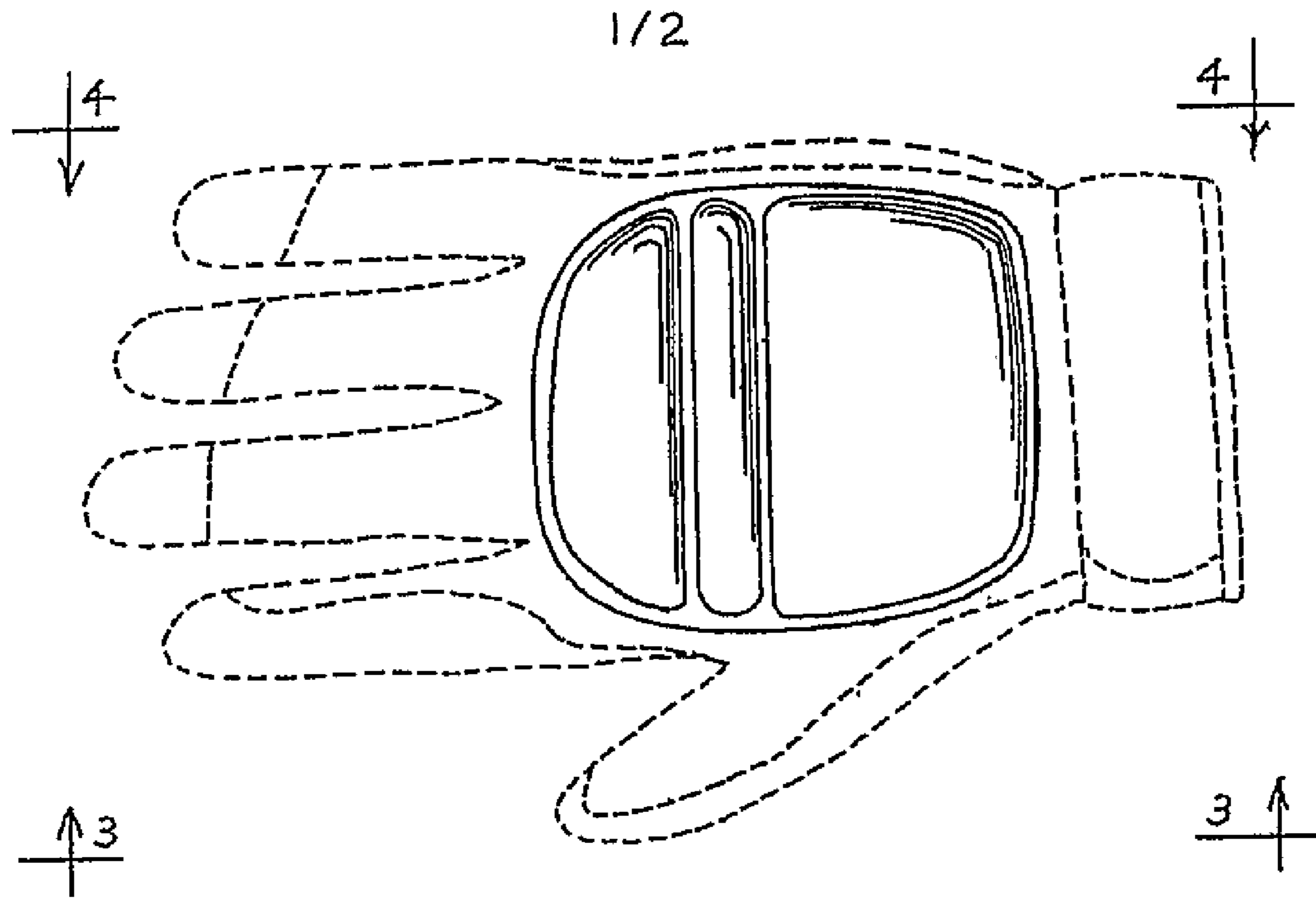


FIG. 2

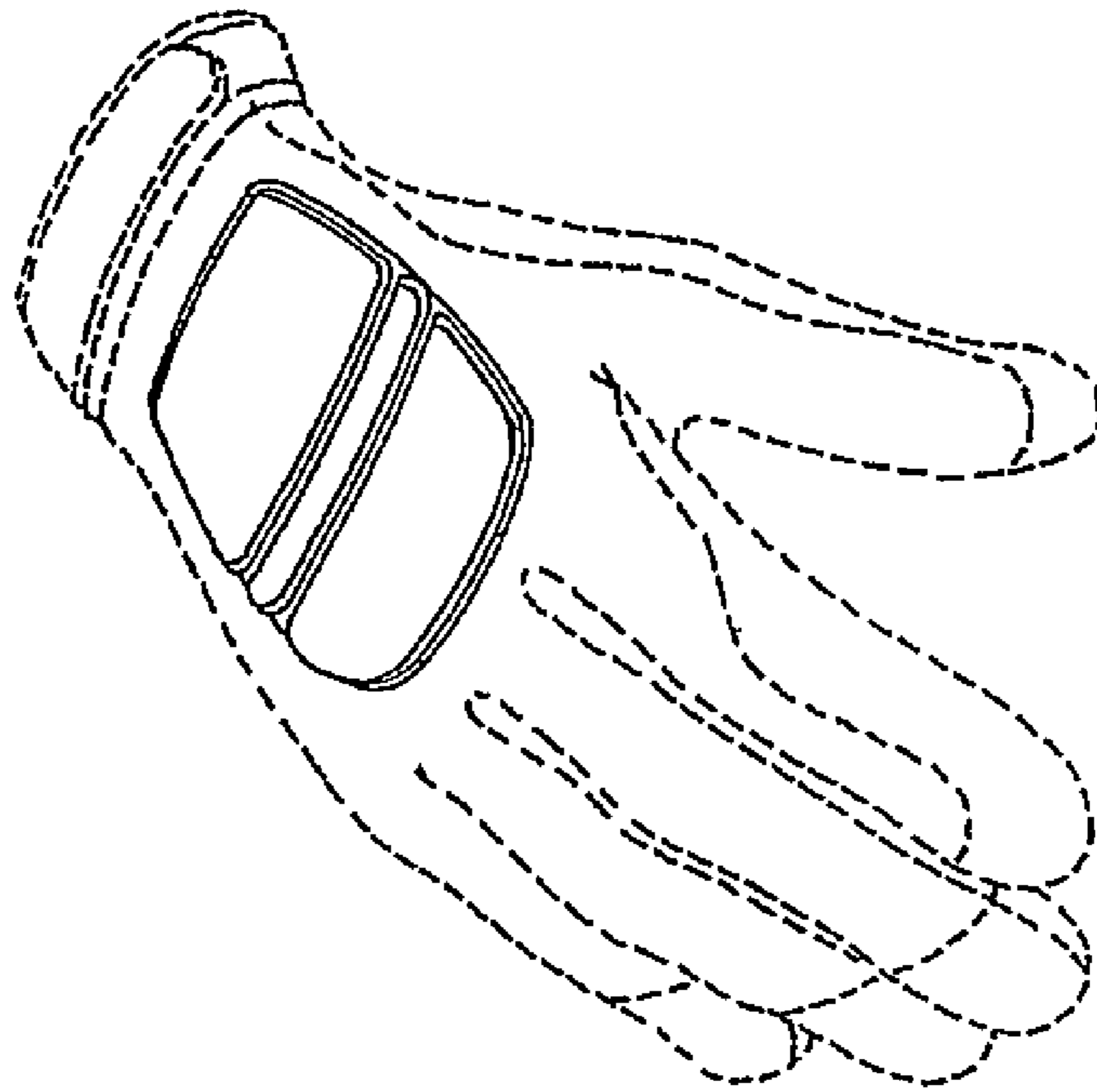


FIG. 1

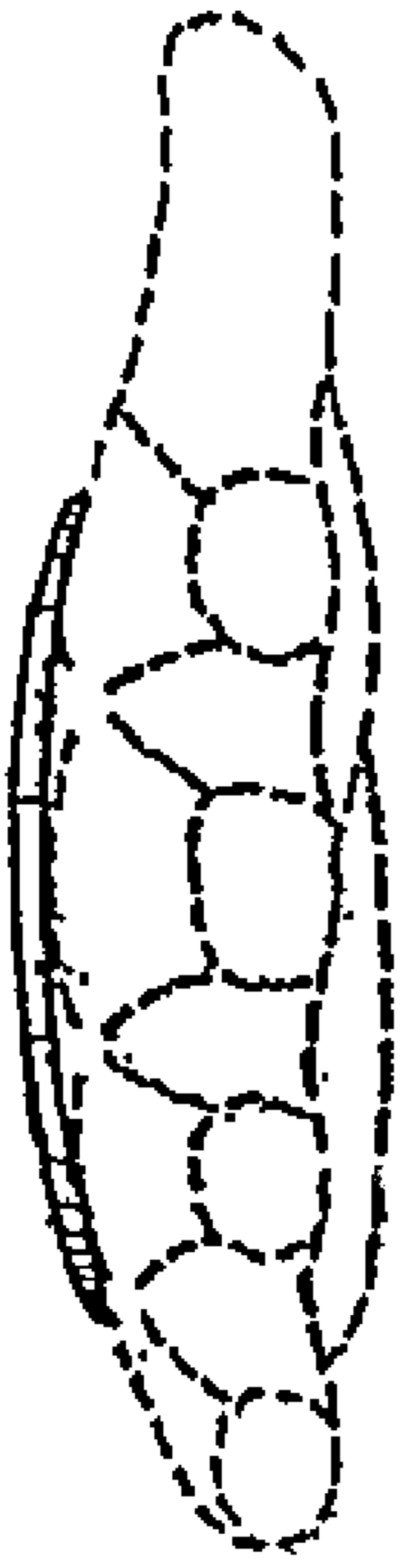


FIG. 5

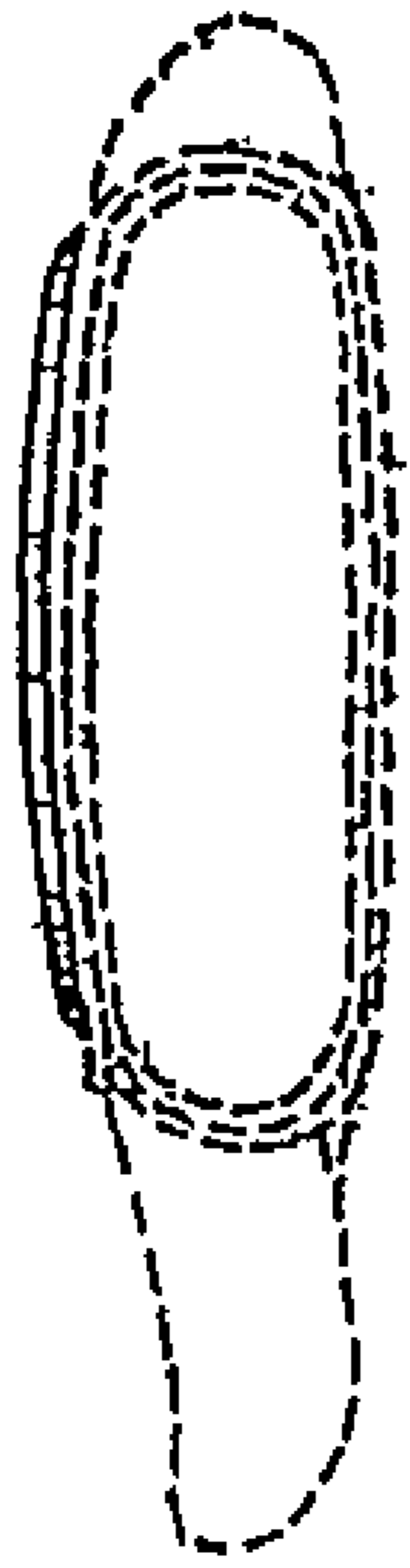


FIG. 6

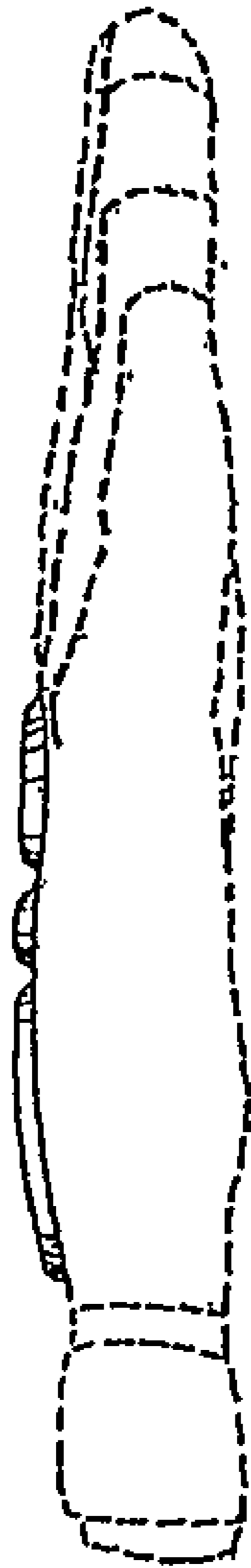


FIG. 4



FIG. 3