



US00D518615S

(12) **United States Design Patent**
Yang et al.

(10) **Patent No.:** **US D518,615 S**

(45) **Date of Patent:** **** Apr. 4, 2006**

(54) **CUP HOLDER**

4,927,033 A * 5/1990 Patera et al. 211/41.9
D337,345 S * 7/1993 Gracie D6/572 X

(75) Inventors: **Frank Yang**, Rancho Palos Verdes, CA
(US); **Myk Wayne Lum**, Irvine, CA
(US)

* cited by examiner

Primary Examiner—Alan P. Douglas
Assistant Examiner—Lavone D. Tabor

(73) Assignee: **Simplehuman LLC**, Los Angeles, CA
(US)

(74) *Attorney, Agent, or Firm*—Raymond Sun

(**) Term: **14 Years**

(57) **CLAIM**

The ornamental design for a cup holder, as shown and described.

(21) Appl. No.: **29/206,841**

(22) Filed: **Jun. 3, 2004**

DESCRIPTION

(51) **LOC (8) Cl.** **07-05**

FIG. 1 is a perspective view of a cup holder according to the present invention.

(52) **U.S. Cl.** **D32/55**

FIG. 2 is a front view of the cup holder of FIG. 1;

(58) **Field of Classification Search** D32/55,

FIG. 3 is a rear view of the cup holder of FIG. 1;

D32/56, 58, 59, 3; D6/566, 572; D8/349,

FIG. 4 is top plan view of the cup holder of FIG. 1;

D8/373, 394; 4/637, 656; 211/41.3, 41.4,

FIG. 5 is bottom plan view of the cup holder of FIG. 1;

211/41.8, 41.9; 248/215, 301, 304, 310, 311.3

FIG. 6 is a left side view of the cup holder of FIG. 1;

See application file for complete search history.

FIG. 7 is a right side view of the cup holder off FIG. 1; and,

FIG. 8 is a reduced perspective view of the cup holder of

FIG. 1 shown in use with a dish rack. The dish rack is shown

in broken lines for illustrative purposes only and forms no

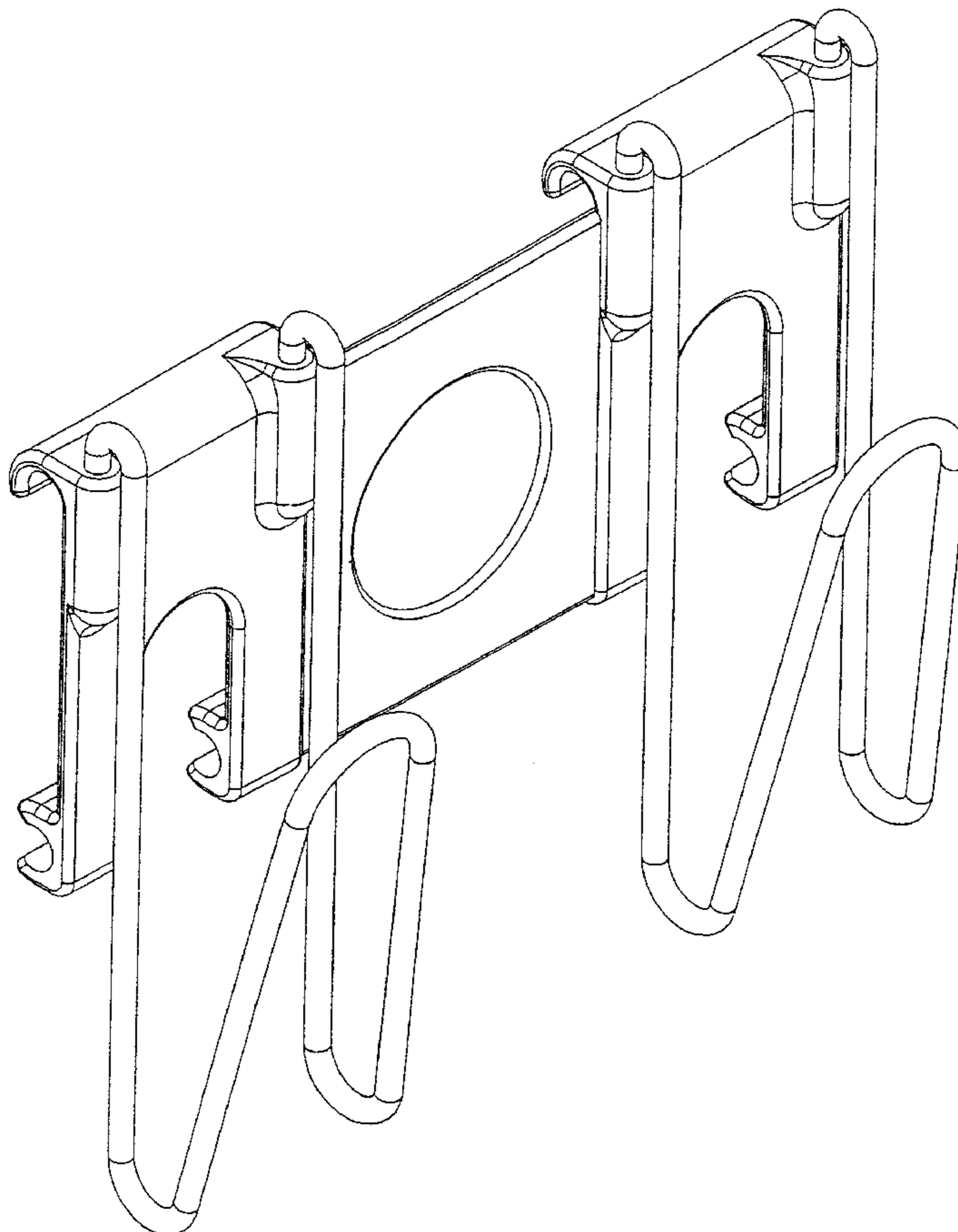
part of the claimed design.

(56) **References Cited**

U.S. PATENT DOCUMENTS

2,708,037 A * 5/1955 Planeta D32/55
D188,254 S * 6/1960 Christoffersen D32/55

1 Claim, 8 Drawing Sheets



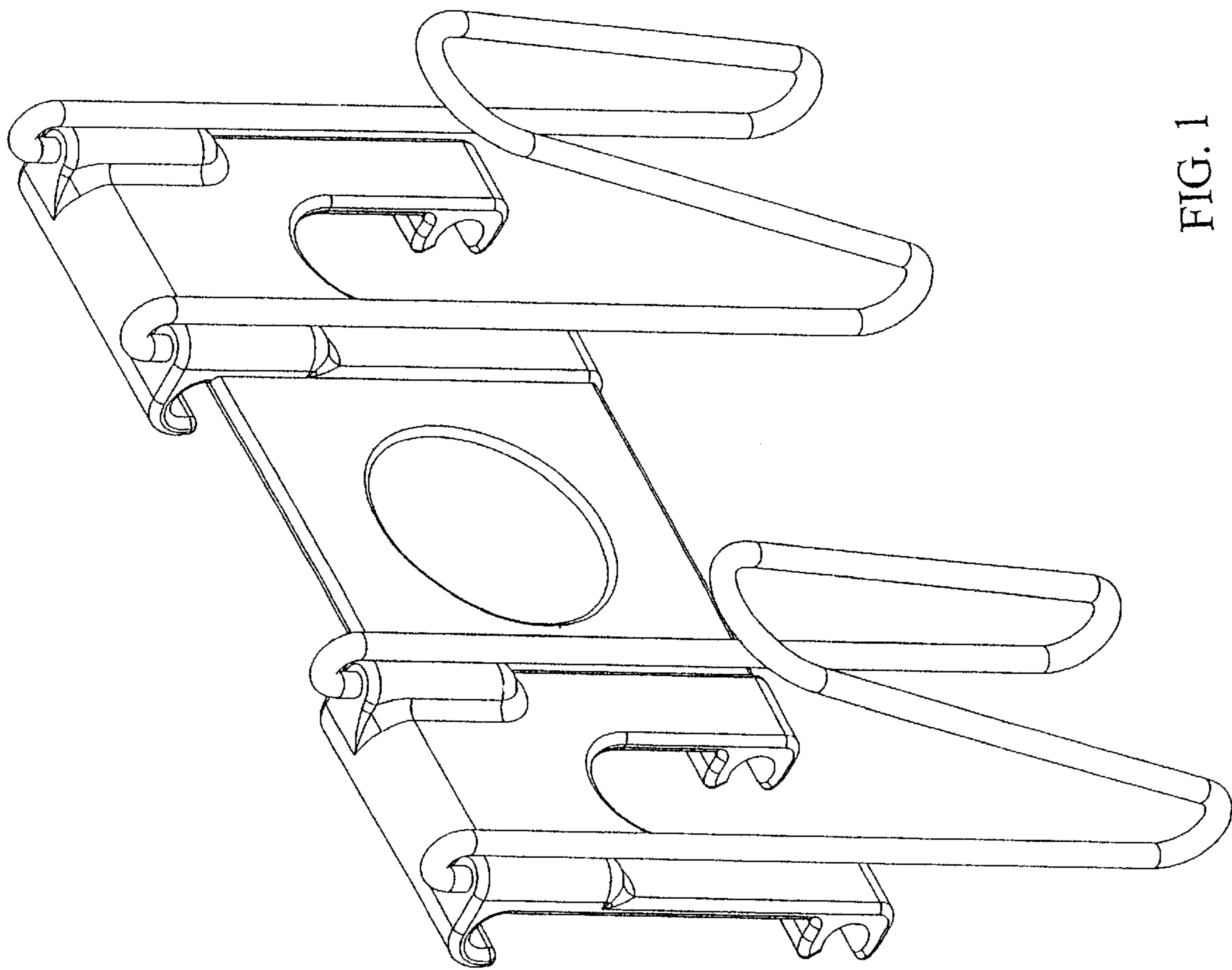


FIG. 1

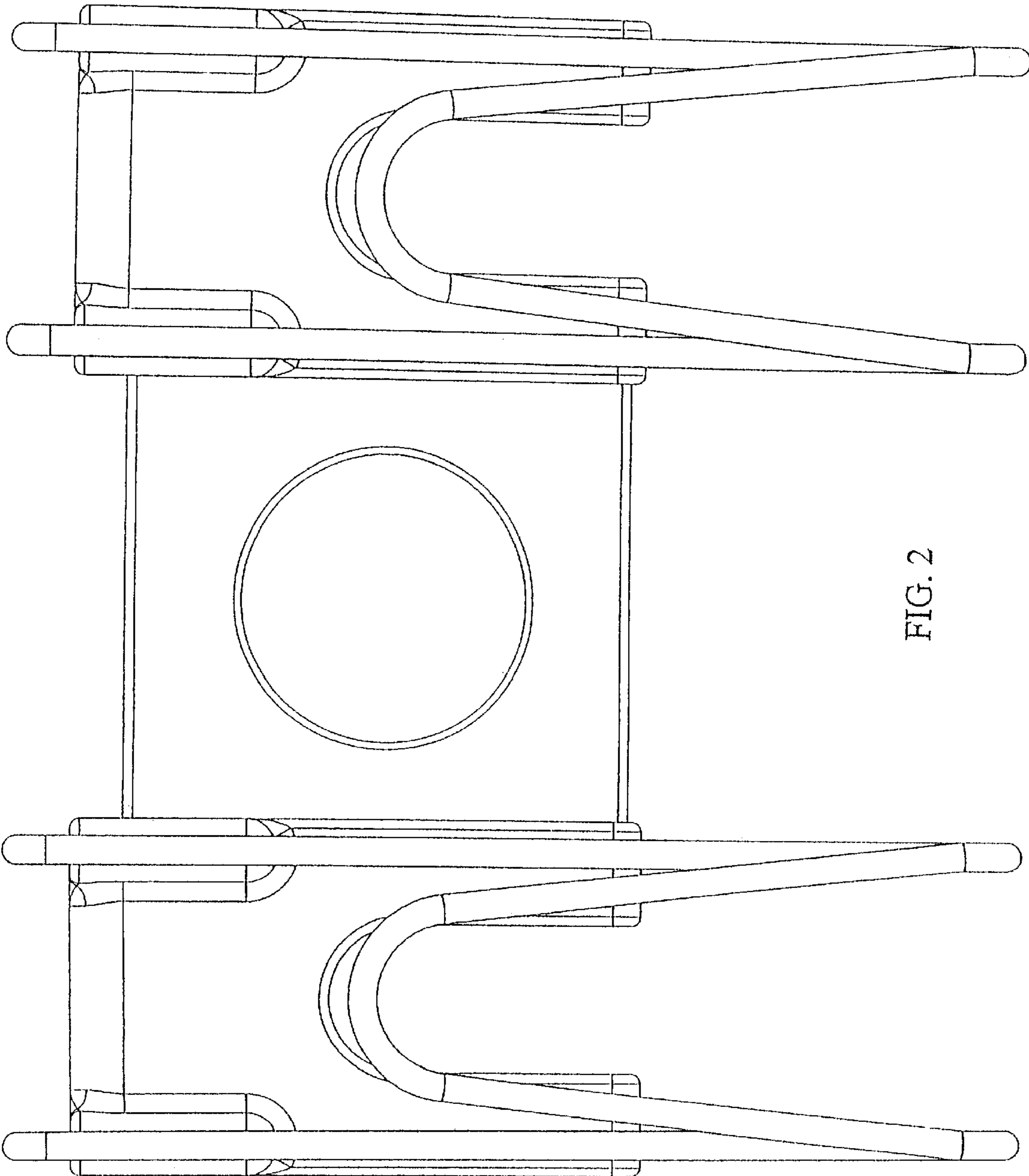


FIG. 2

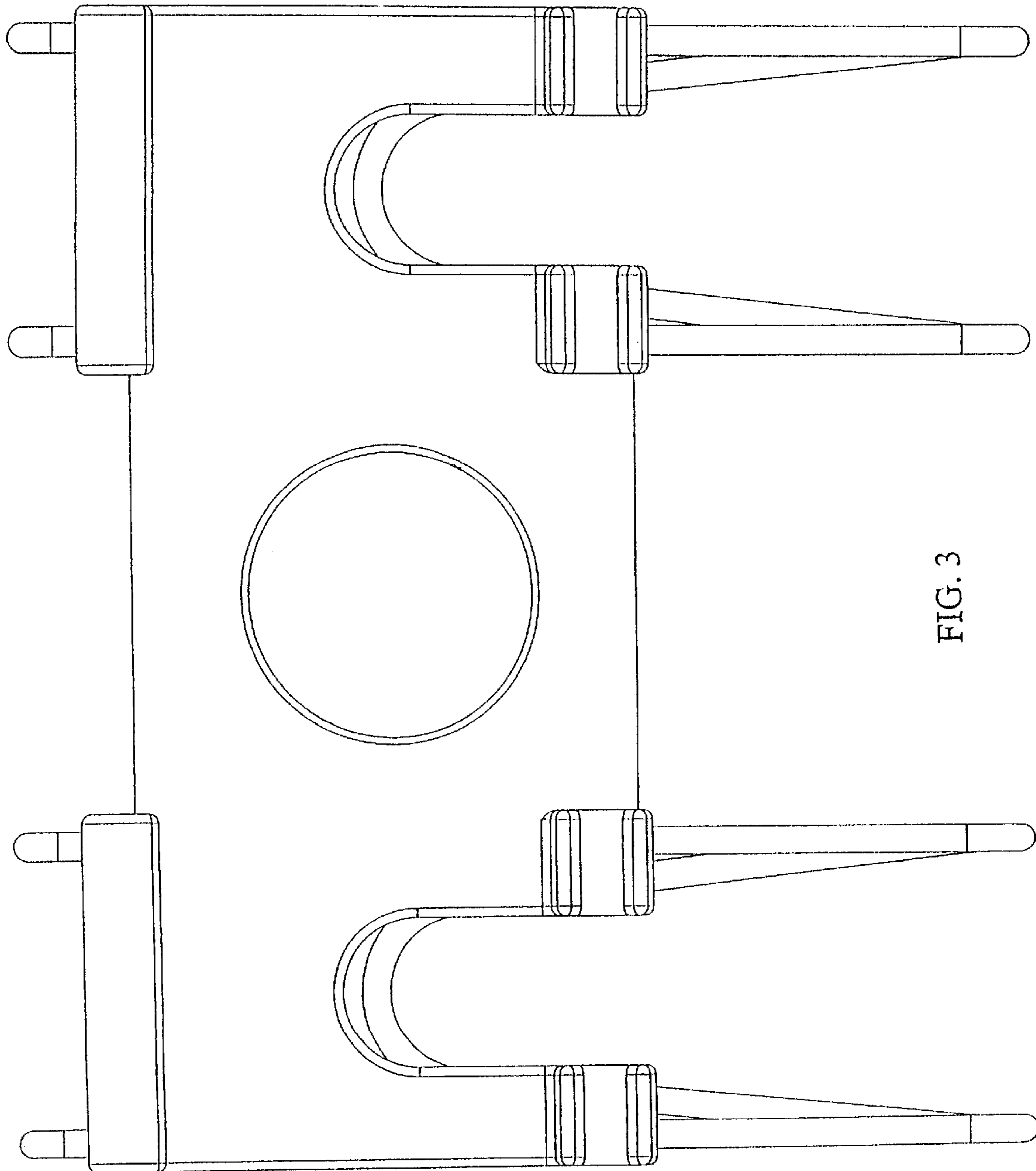


FIG. 3

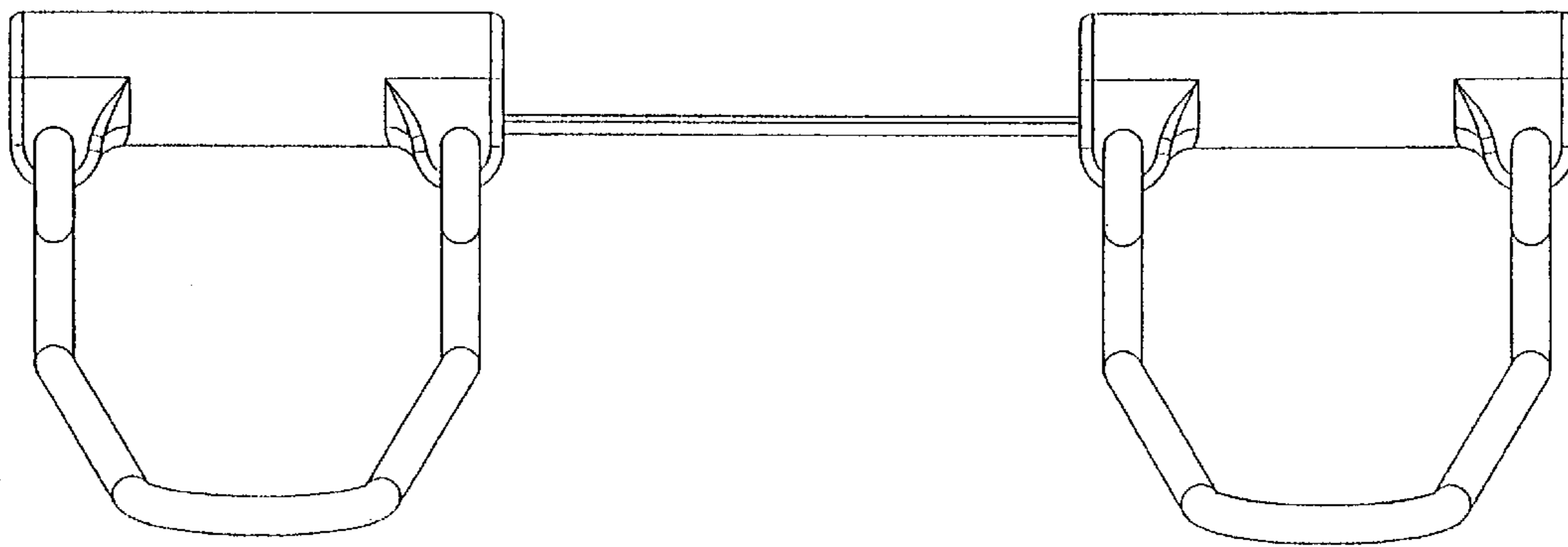


FIG. 4

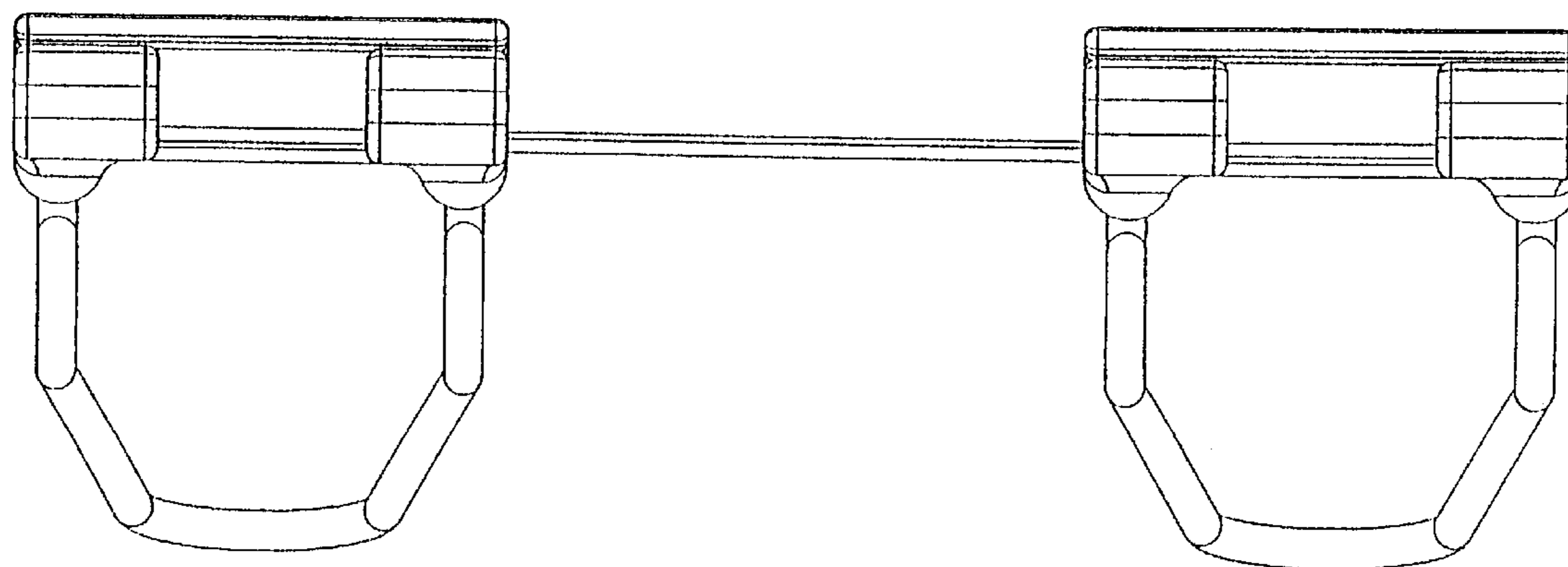


FIG. 5

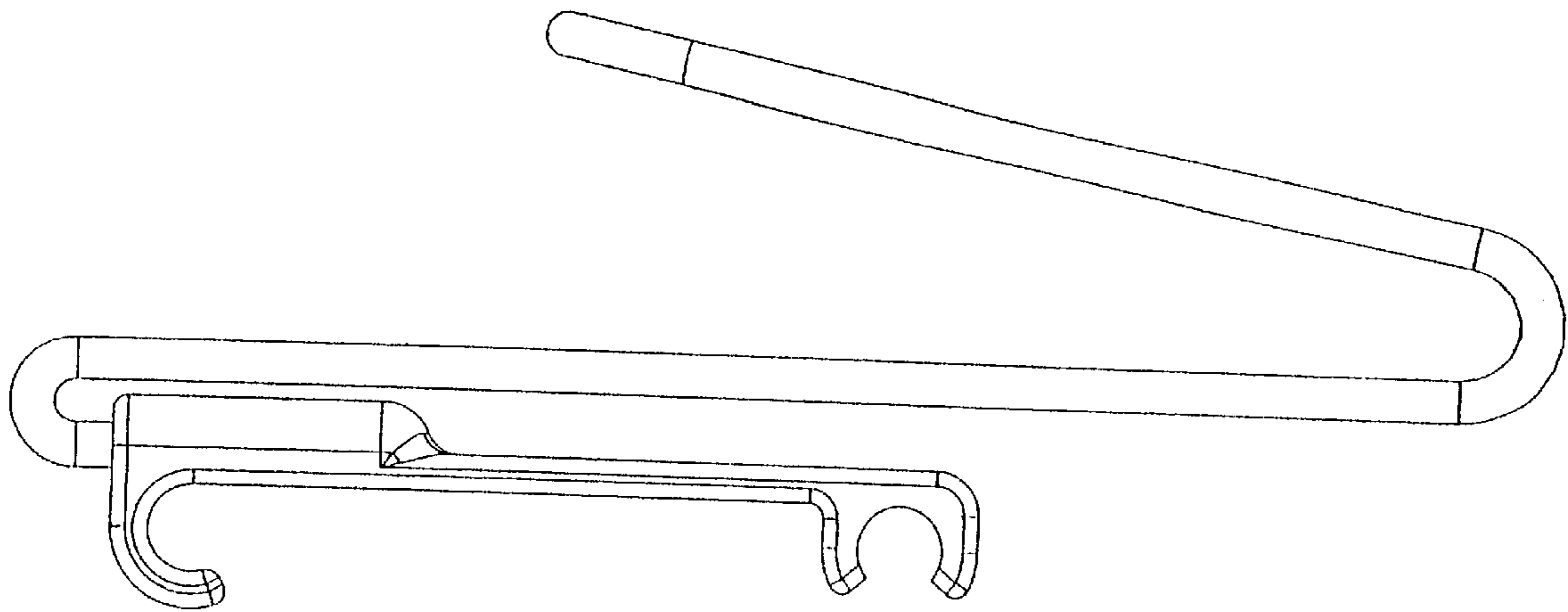


FIG. 6

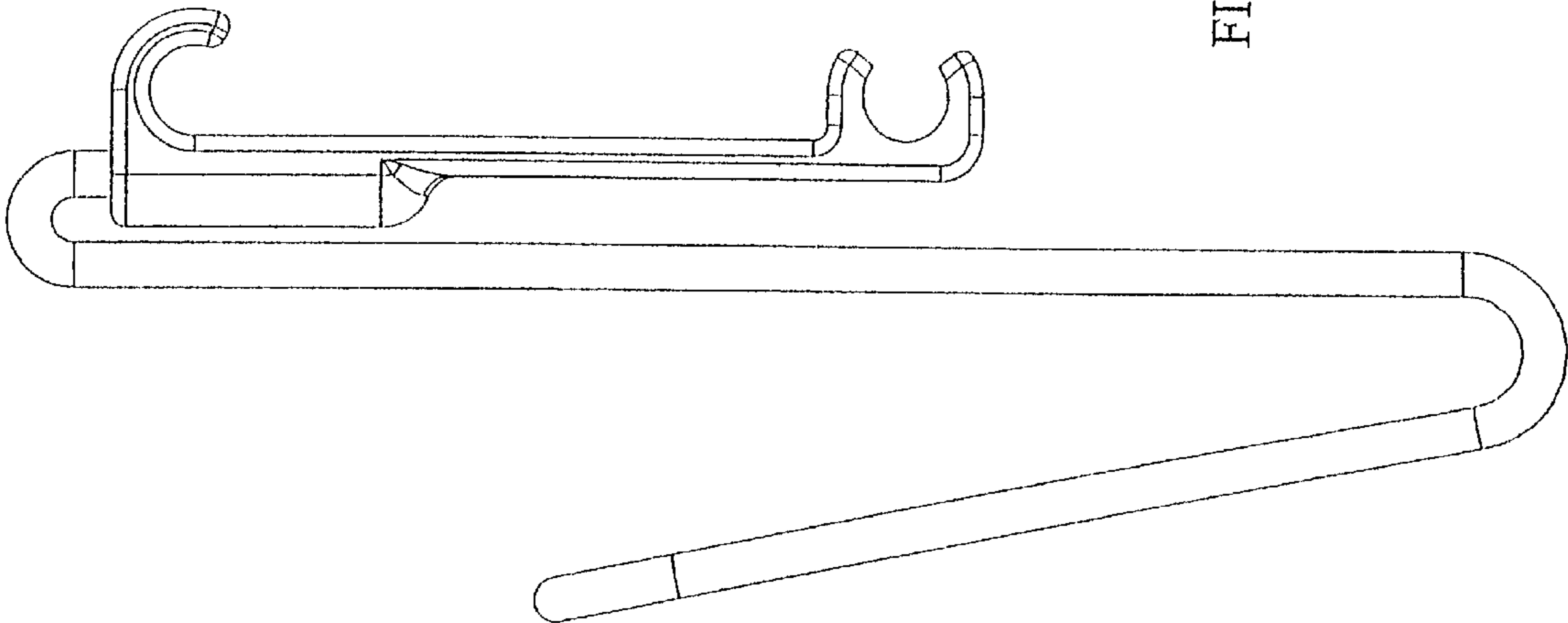


FIG. 7

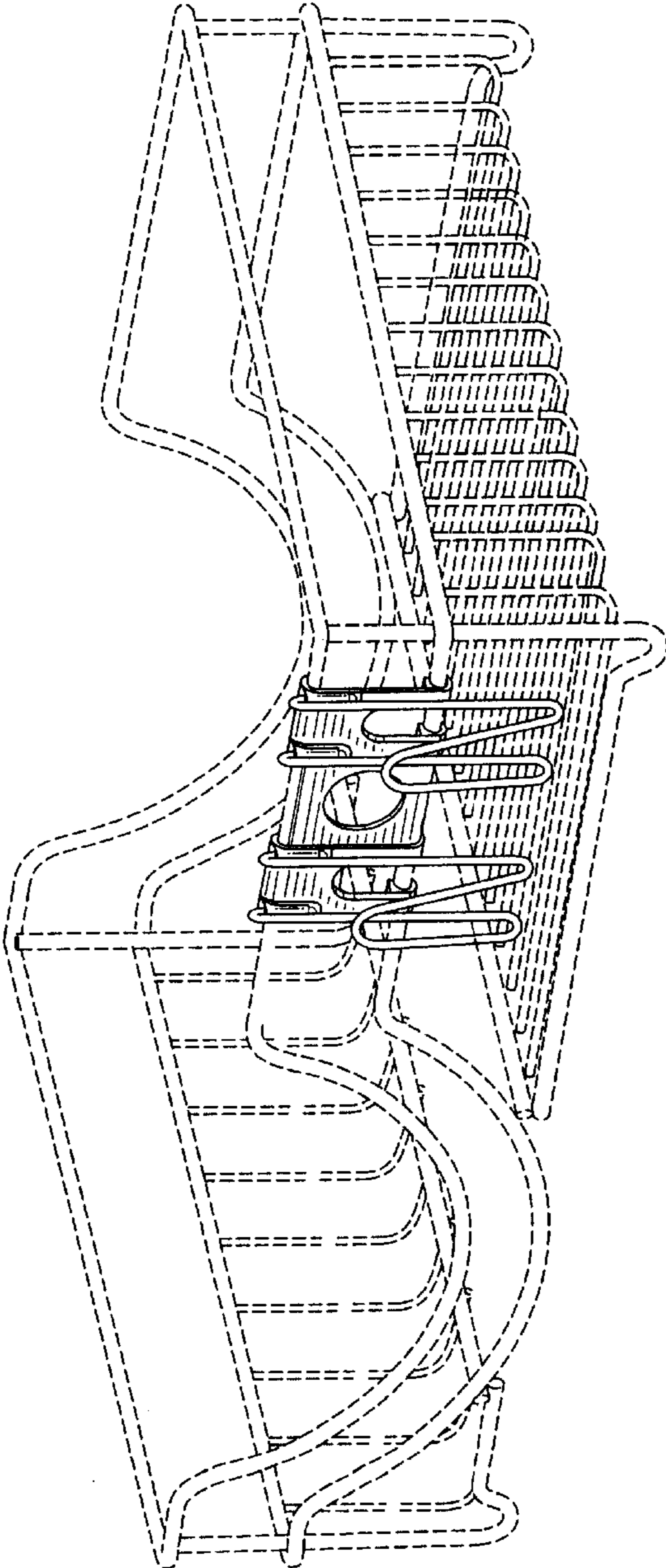


FIG.8