



US00D518613S

(12) **United States Design Patent**
Alton

(10) **Patent No.:** **US D518,613 S**
(45) **Date of Patent:** **** Apr. 4, 2006**

(54) **NOZZLE ASSEMBLY FOR VACUUM CLEANERS**

(76) Inventor: **James R. Alton**, 811 N. Garden St.,
Bellingham, WA (US) 98225

(**) Term: **14 Years**

(21) Appl. No.: **29/198,402**

(22) Filed: **Jan. 28, 2004**

Related U.S. Application Data

(63) Continuation-in-part of application No. 10/352,650, filed on
Jan. 27, 2003.

(51) **LOC (8) Cl.** **15-05**

(52) **U.S. Cl.** **D32/32**

(58) **Field of Classification Search** D32/17-18,
D32/31-34, 21-22, 38-39; D30/158-159;
D4/136; 15/41.1, 314, 322, 329, 339, 350,
15/352, 361, 375, 377, 387, 393, 396, 398,
15/400, 402, 410, 412, 414, 415.1-422.1,
15/327.1-327.2, 327.4-327.7; 119/606, 615;
285/7

See application file for complete search history.

(56) **References Cited**

U.S. PATENT DOCUMENTS

1,782,882 A 11/1930 Rippey

3,942,216 A 3/1976 Minton
3,942,219 A 3/1976 Johnson
4,023,234 A 5/1977 Martinec et al.
D352,809 S * 11/1994 Reath D32/31
D376,879 S * 12/1996 Selewski et al. D32/32
D416,115 S * 11/1999 Rohn et al. D32/32
6,039,817 A 3/2000 Payne
D473,687 S * 4/2003 Kaffenberger D32/33
D495,106 S * 8/2004 Leyden et al. D32/32
D499,850 S * 12/2004 Leyden D32/32

* cited by examiner

Primary Examiner—Ruth McInroy

(74) *Attorney, Agent, or Firm*—Todd N. Hathaway

(57) **CLAIM**

The ornamental design for a nozzle assembly for vacuum cleaners, as shown and described.

DESCRIPTION

FIG. 1 is a perspective view of a nozzle assembly for vacuum cleaners showing my new design;
FIG. 2 is a top plan view thereof;
FIG. 3 is a front elevational view thereof;
FIG. 4 is a first side elevational view thereof;
FIG. 5 is a second side elevational view thereof;
FIG. 6 is a rear elevational view thereof; and,
FIG. 7 is a bottom plan view thereof.

1 Claim, 7 Drawing Sheets

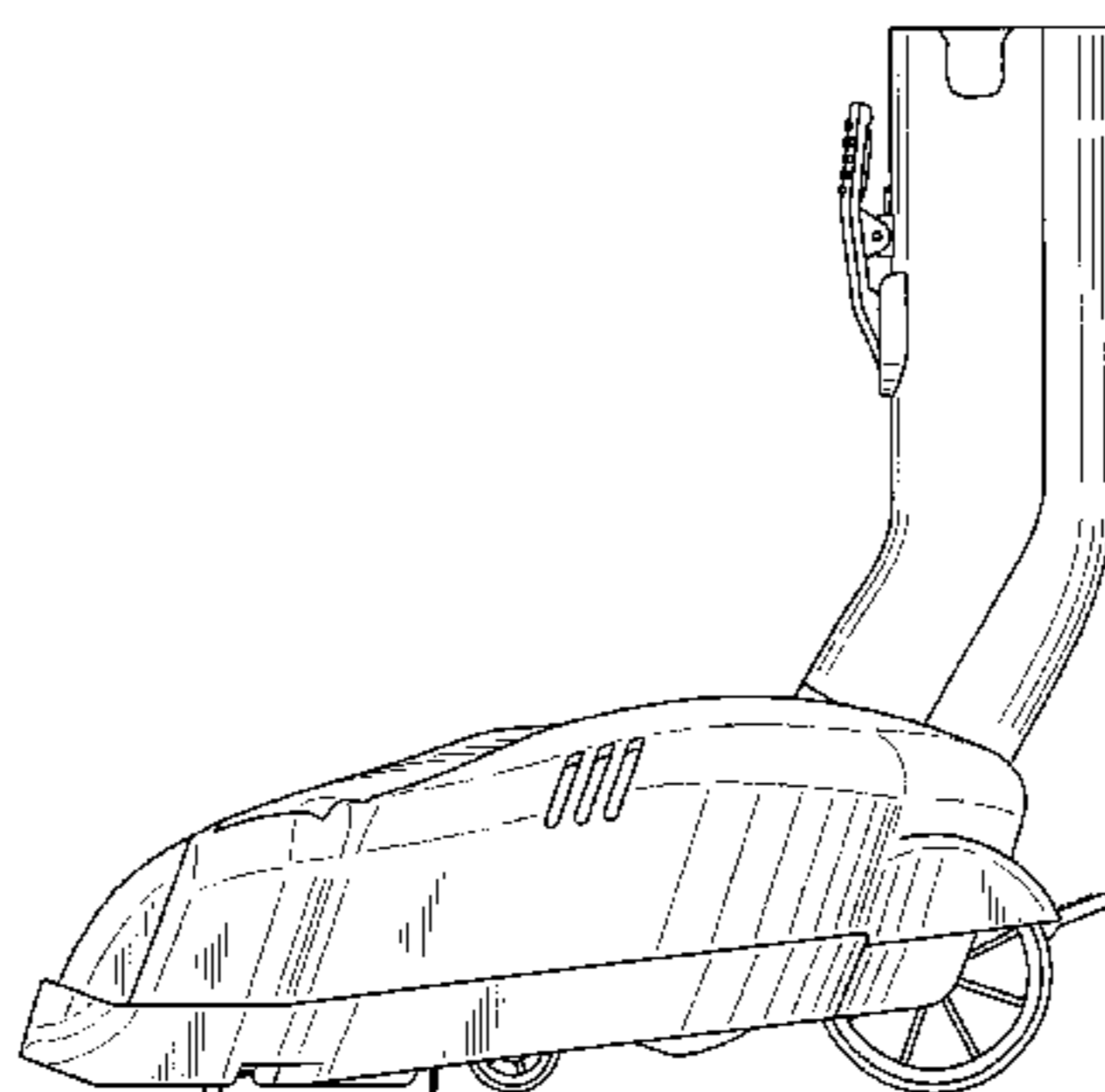
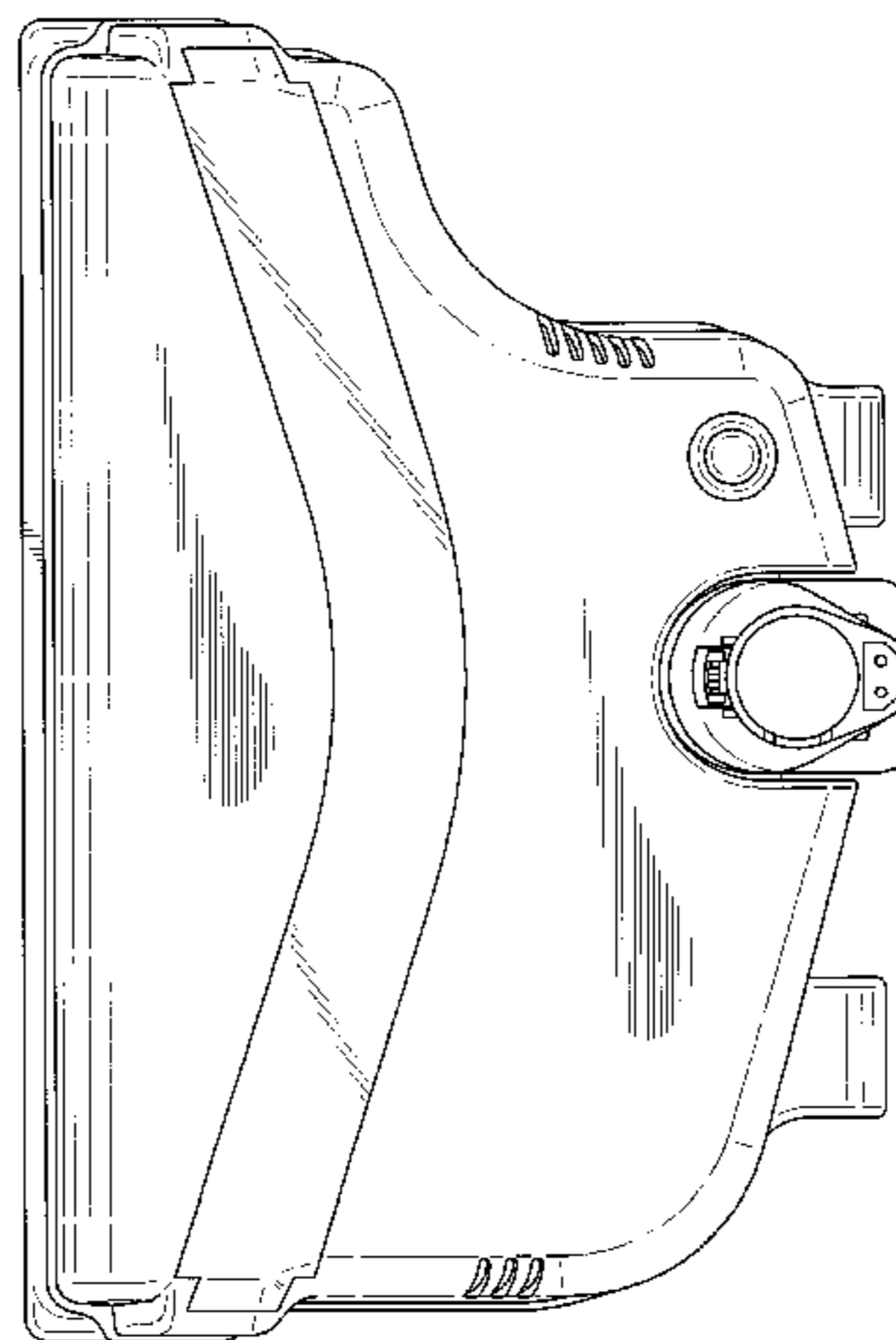
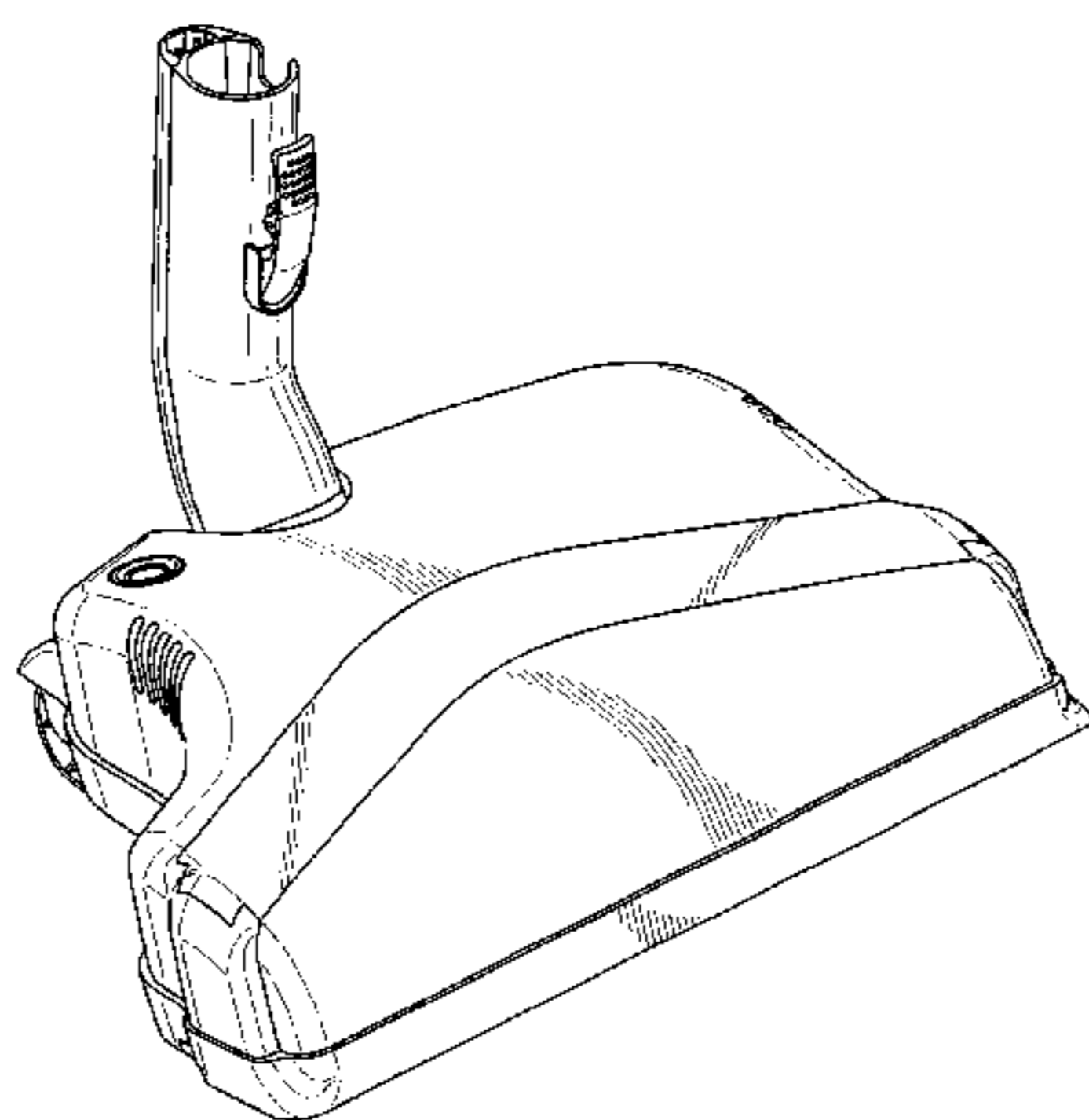


FIG. 1

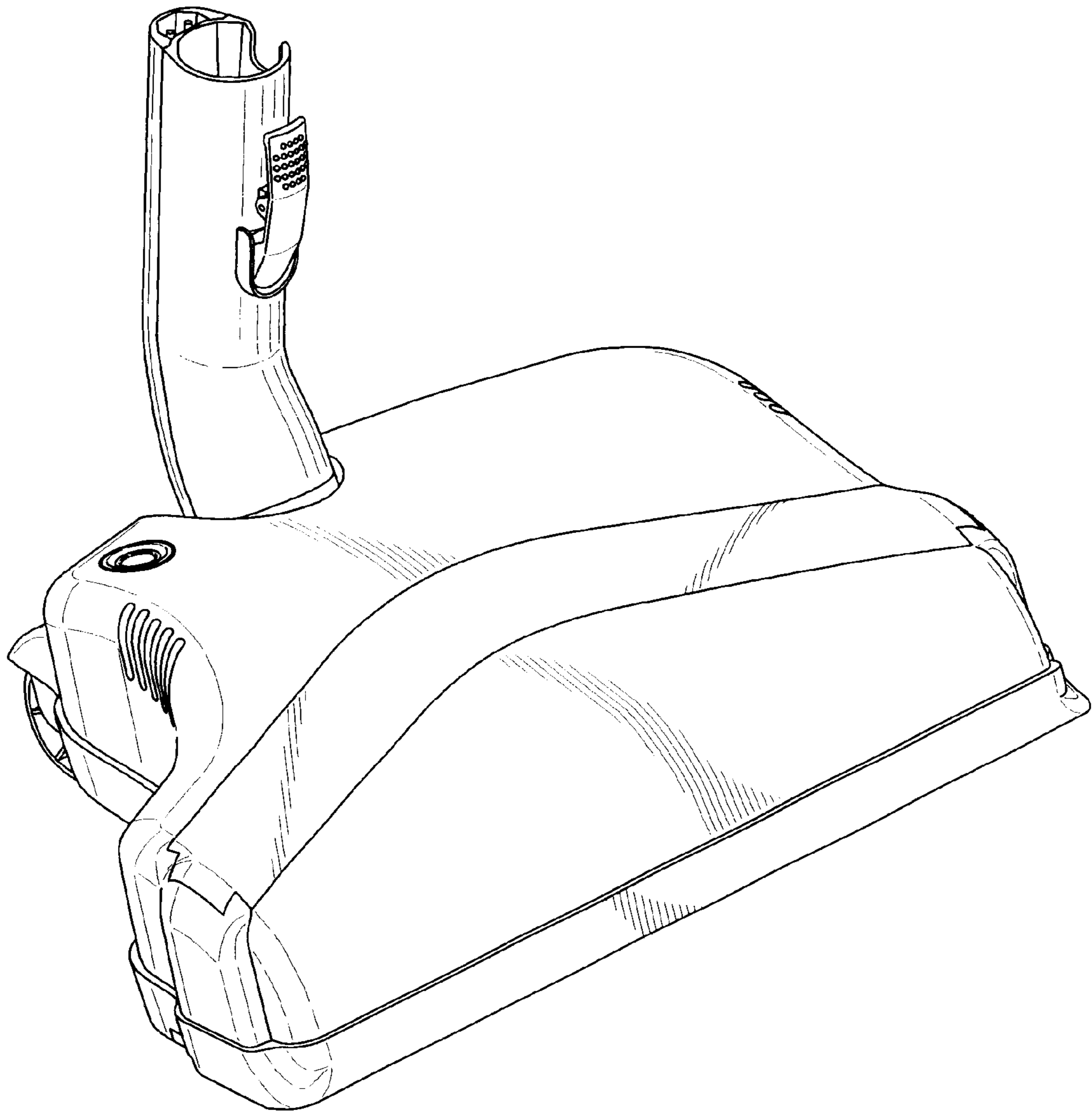


FIG. 2

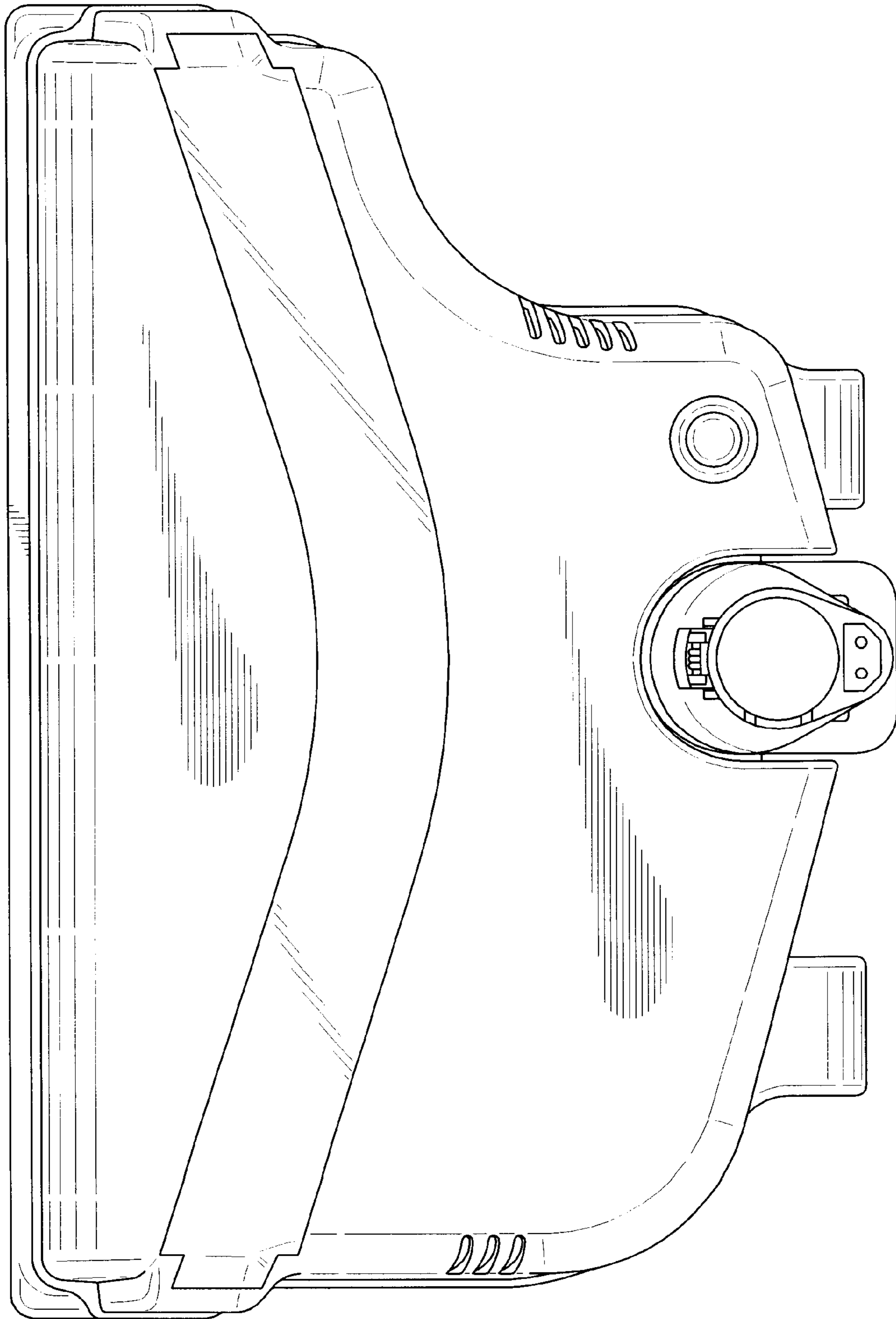


FIG. 3

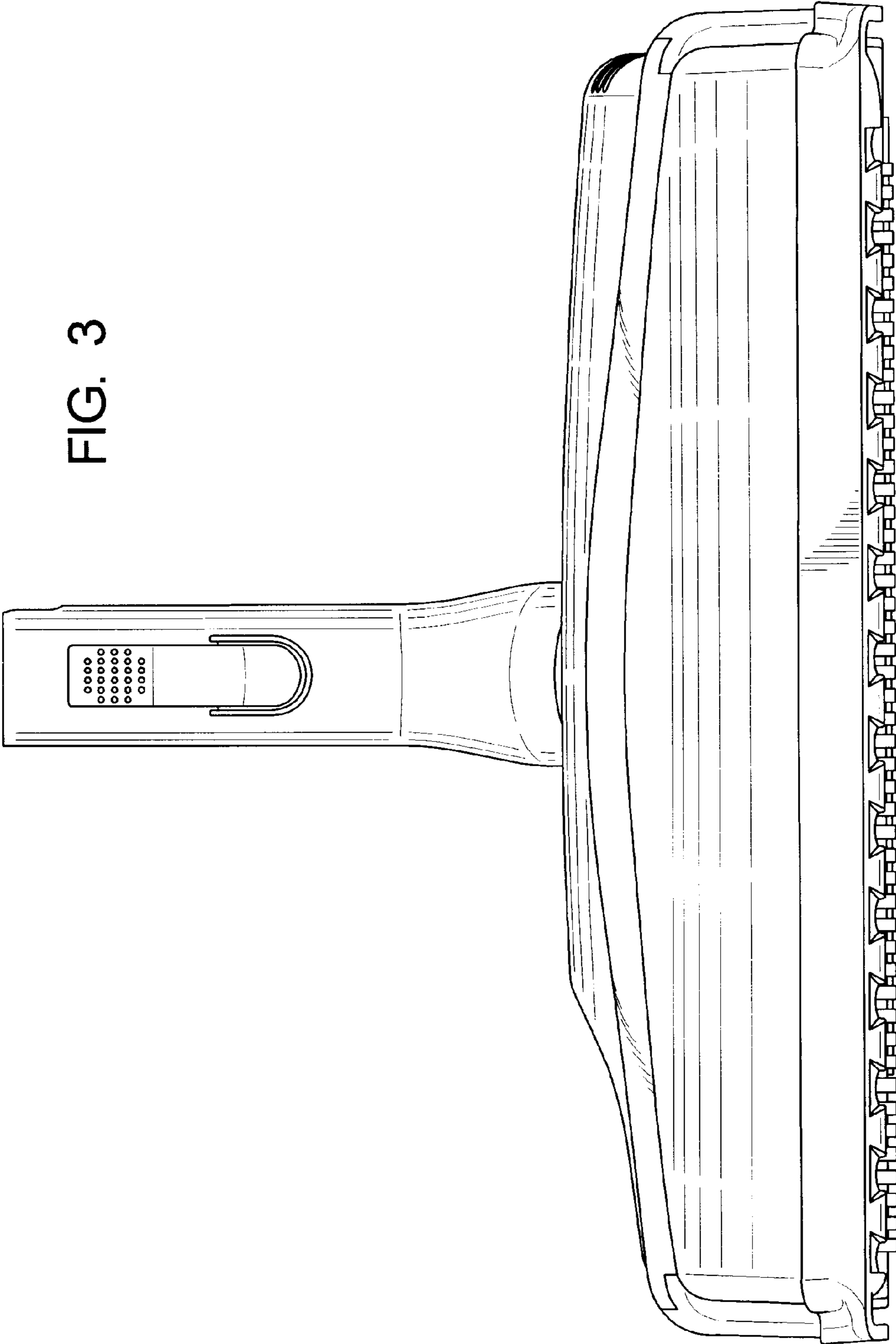


FIG. 4

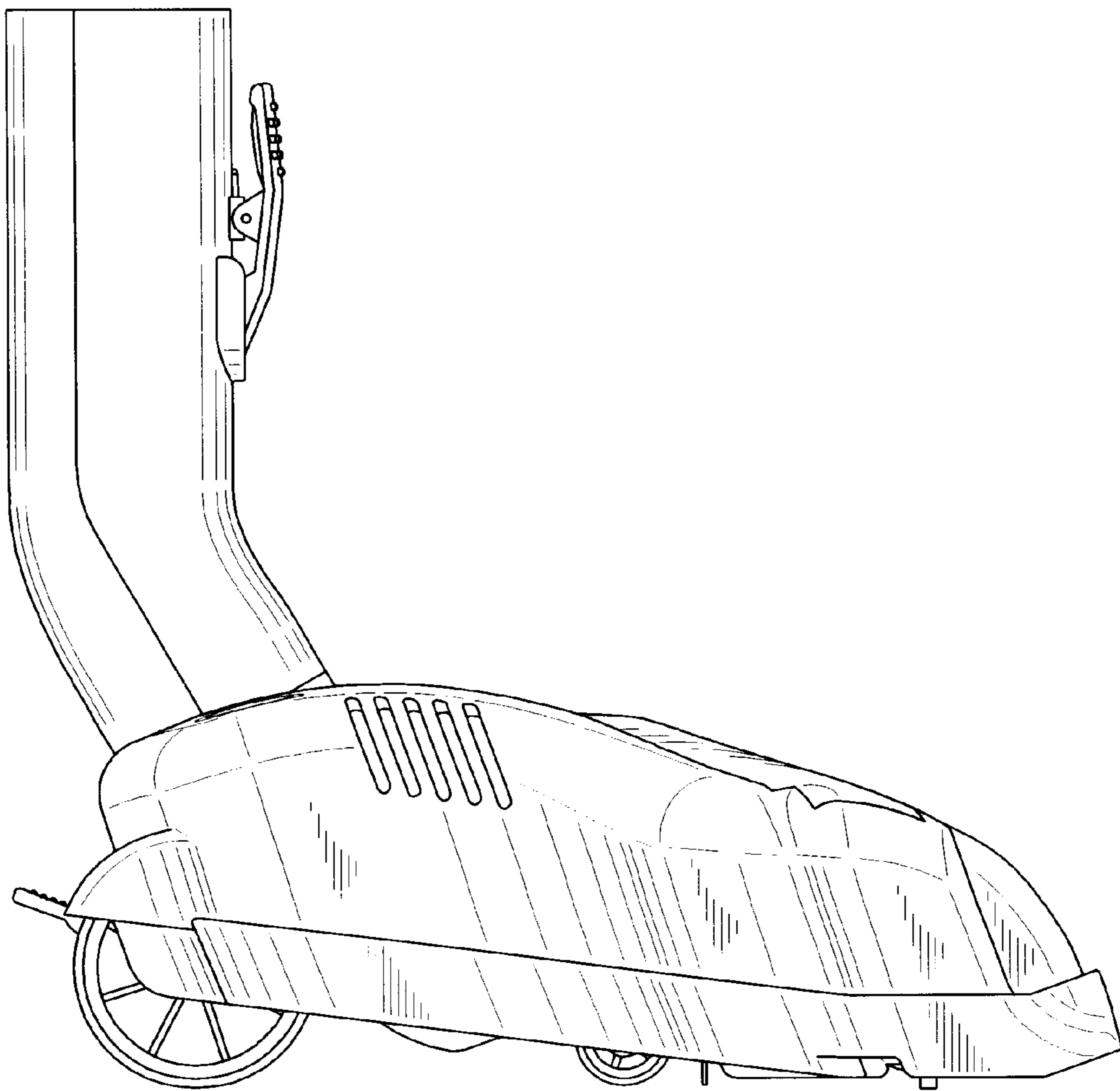


FIG. 5

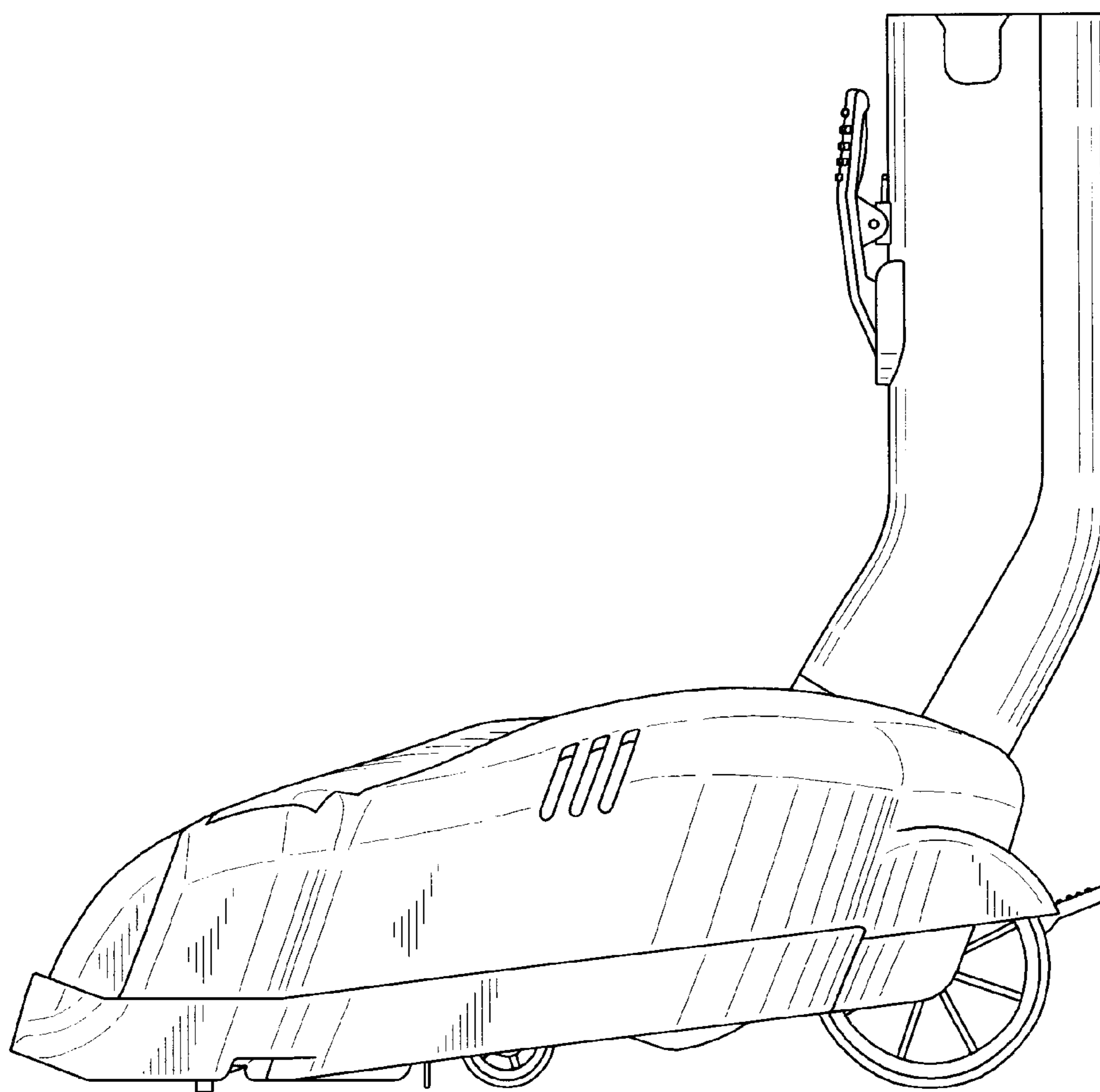


FIG. 6

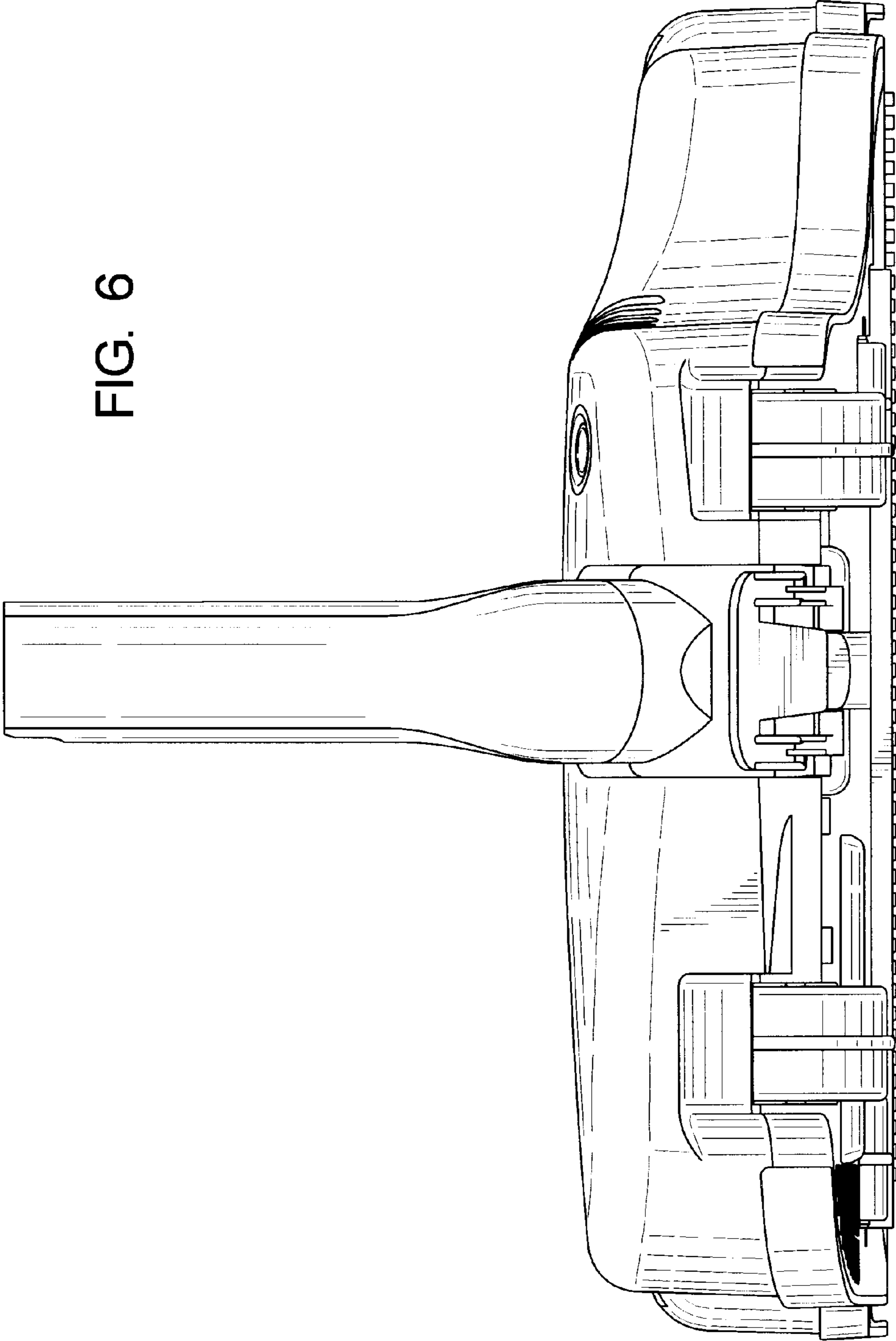


FIG. 7

