



US00D518611S

(12) **United States Design Patent**  
**Hare**

(10) **Patent No.:** **US D518,611 S**

(45) **Date of Patent:** **\*\* Apr. 4, 2006**

(54) **CLEANING APPLIANCE**

(75) **Inventor:** **Colin Irwin Hare**, Brinkworth (GB)

(73) **Assignee:** **Dyson Limited**, Wiltshire (GB)

(\*\*) **Term:** **14 Years**

(21) **Appl. No.:** **29/212,849**

(22) **Filed:** **Sep. 9, 2004**

(30) **Foreign Application Priority Data**

Mar. 16, 2004 (GB) ..... 3016622

(51) **LOC (8) Cl.** ..... **15-05**

(52) **U.S. Cl.** ..... **D32/21**

(58) **Field of Classification Search** ..... D32/1,  
D32/15, 17-18, 21-25, 31, 34; 15/320-321,  
15/323, 328-329, 344, 352-353, 356, 377,  
15/327.1, 327.5, 327.6, 410-411, 361, 247;  
55/337, 341.2, 347, 356, 459.1, 460, 484,  
55/DIG. 3; 285/7

See application file for complete search history.

(56) **References Cited**

**U.S. PATENT DOCUMENTS**

D382,679 S \* 8/1997 Dyson ..... D32/21

D417,046 S \* 11/1999 Tsuruha et al. .... D32/21  
D445,226 S \* 7/2001 Jupp ..... D32/21  
6,482,246 B1 \* 11/2002 Dyson et al. .... 55/459.1  
6,484,350 B1 \* 11/2002 Yung ..... 15/327.1  
D484,286 S \* 12/2003 Dyson et al. .... D32/24  
D505,761 S \* 5/2005 Gammack et al. .... D32/21  
2002/0189046 A1 \* 12/2002 Nighy ..... 15/327.1

\* cited by examiner

*Primary Examiner*—Ruth McInroy

(74) *Attorney, Agent, or Firm*—Morrison & Foerster LLP

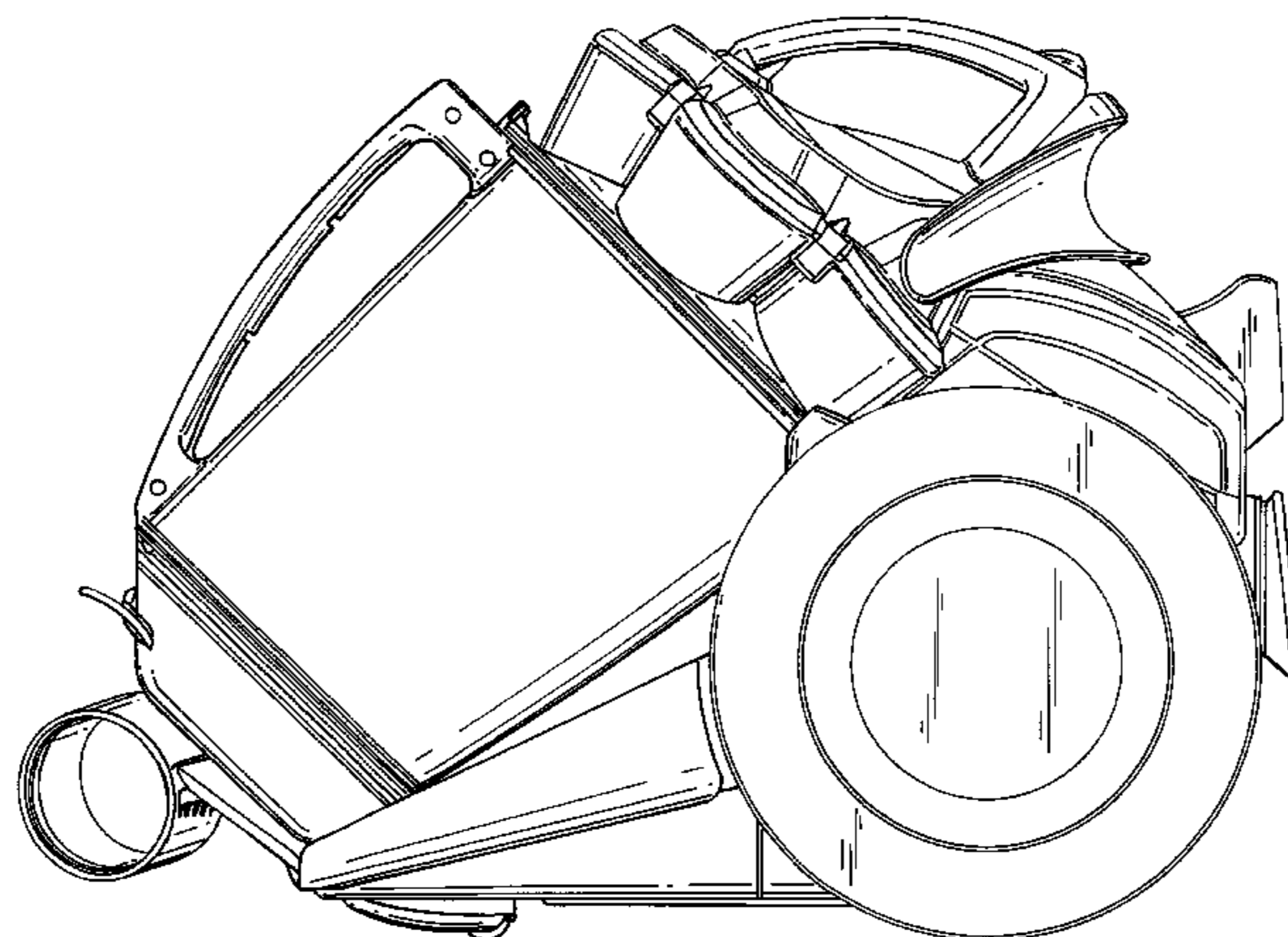
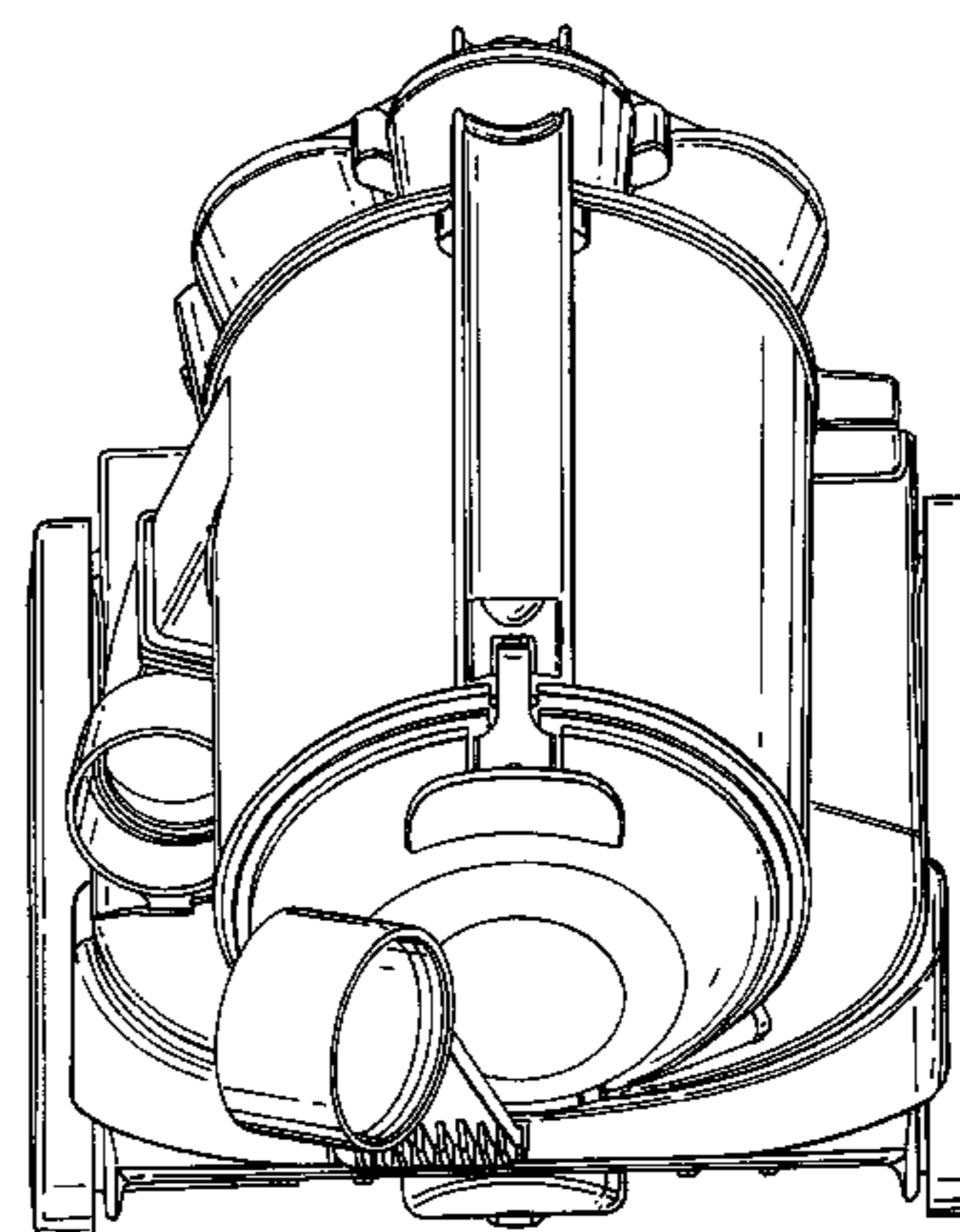
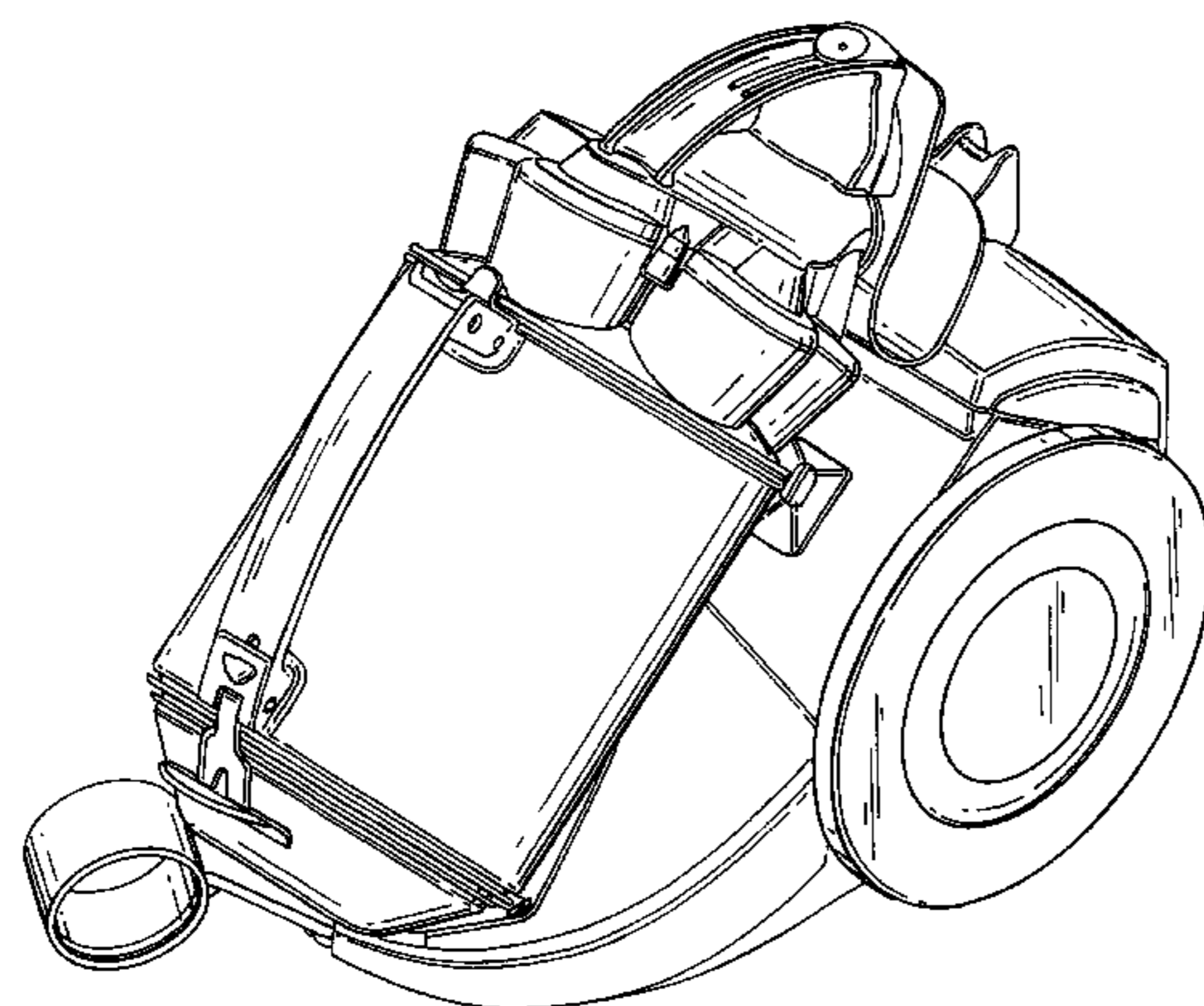
(57) **CLAIM**

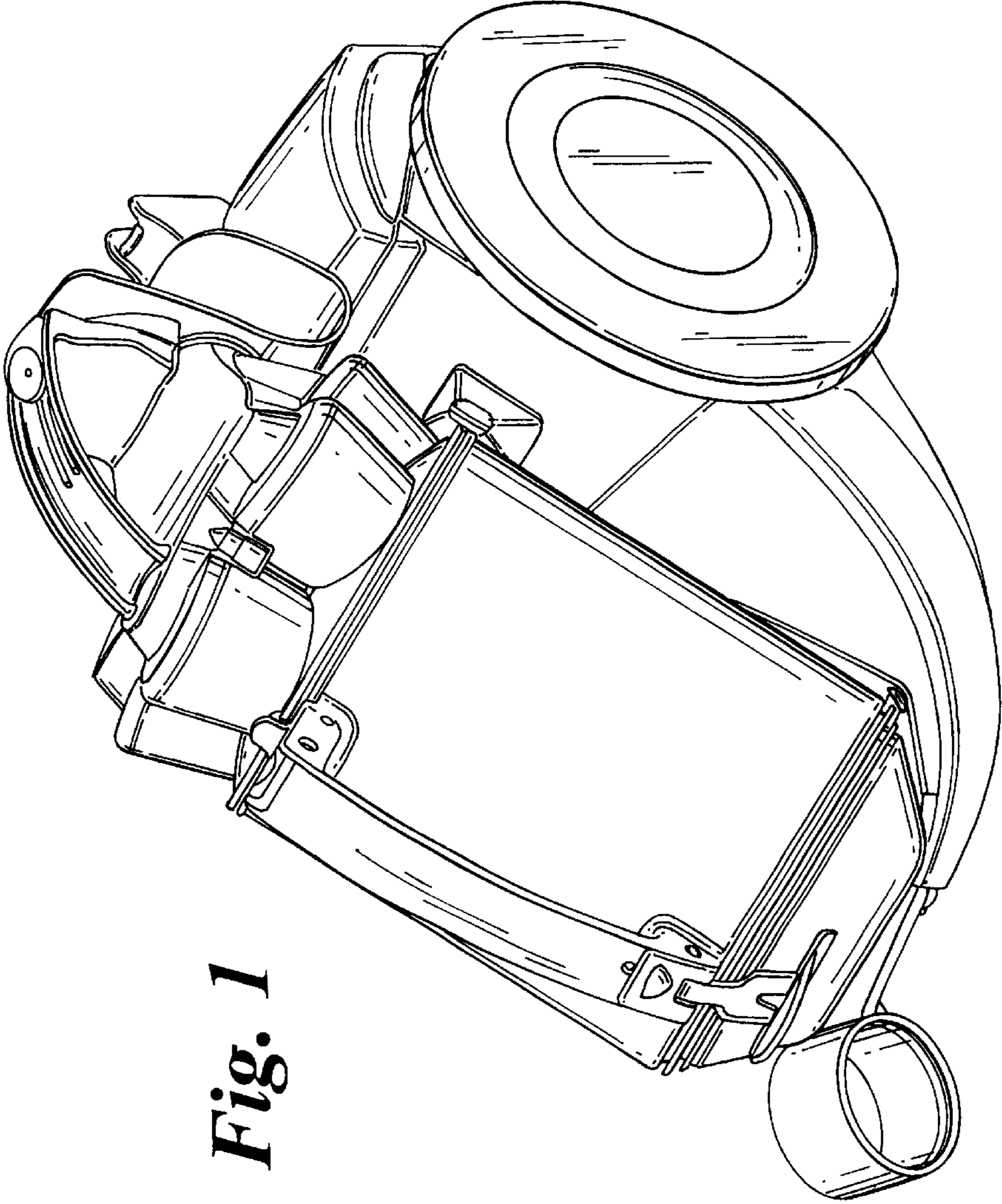
I claim the ornamental design for a cleaning appliance, as shown and described.

**DESCRIPTION**

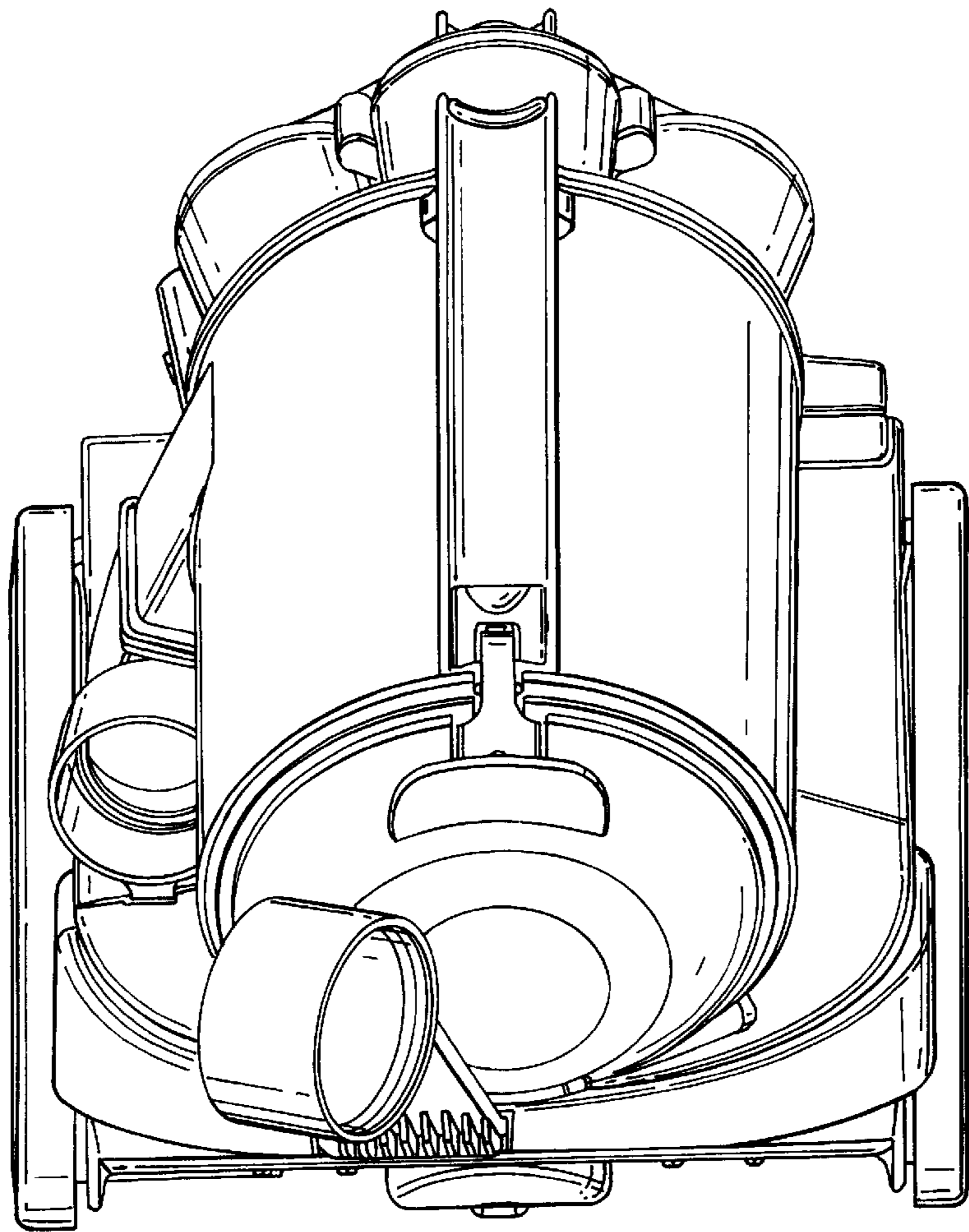
FIG. 1 is a front perspective view of a cleaning appliance showing my new design;  
FIG. 2 is a front view thereof;  
FIG. 3 is a rear view thereof;  
FIG. 4 is a side view thereof;  
FIG. 5 is a side view of the opposite side of FIG. 4;  
FIG. 6 is a top view thereof; and,  
FIG. 7 is a bottom view thereof.

**1 Claim, 7 Drawing Sheets**

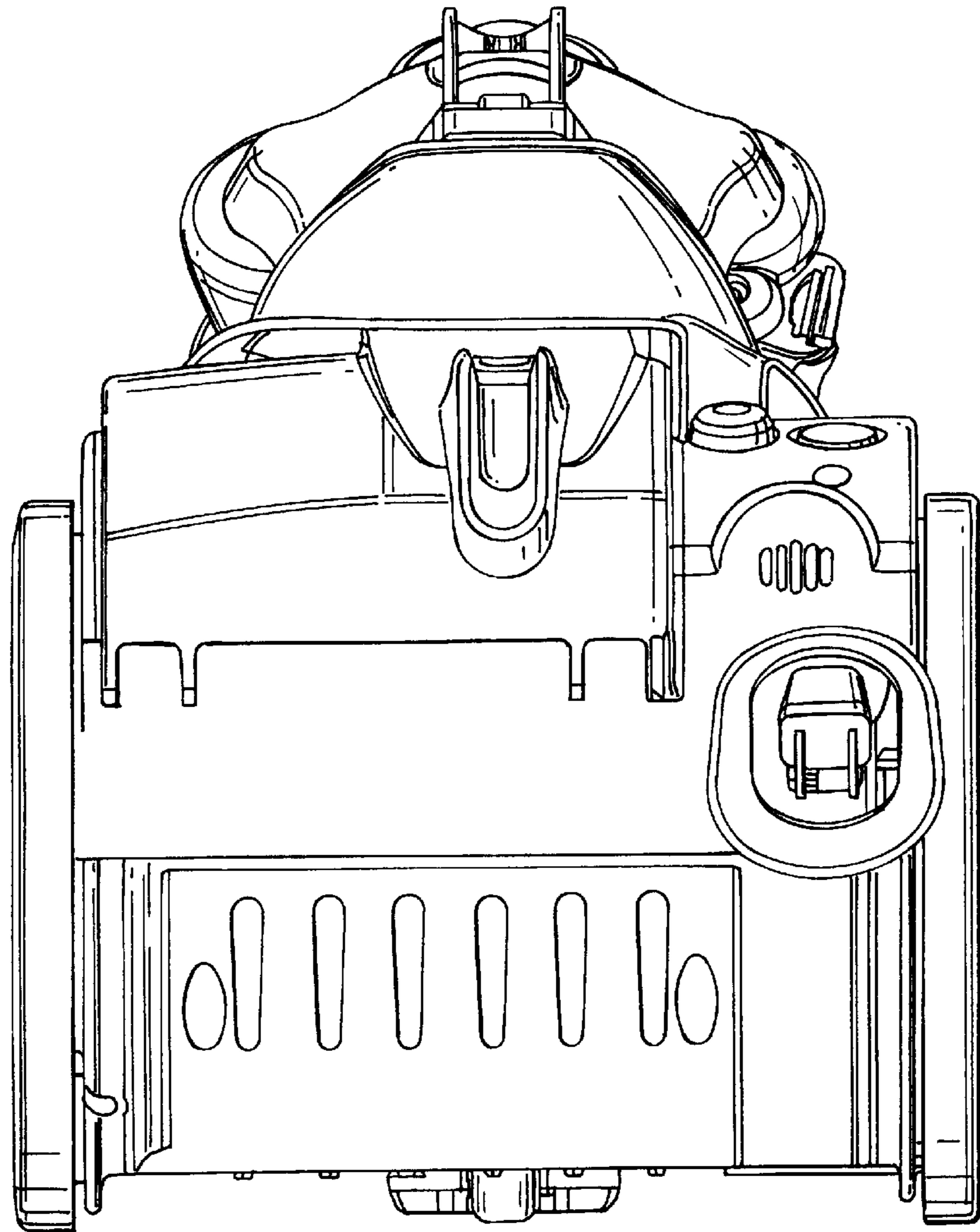




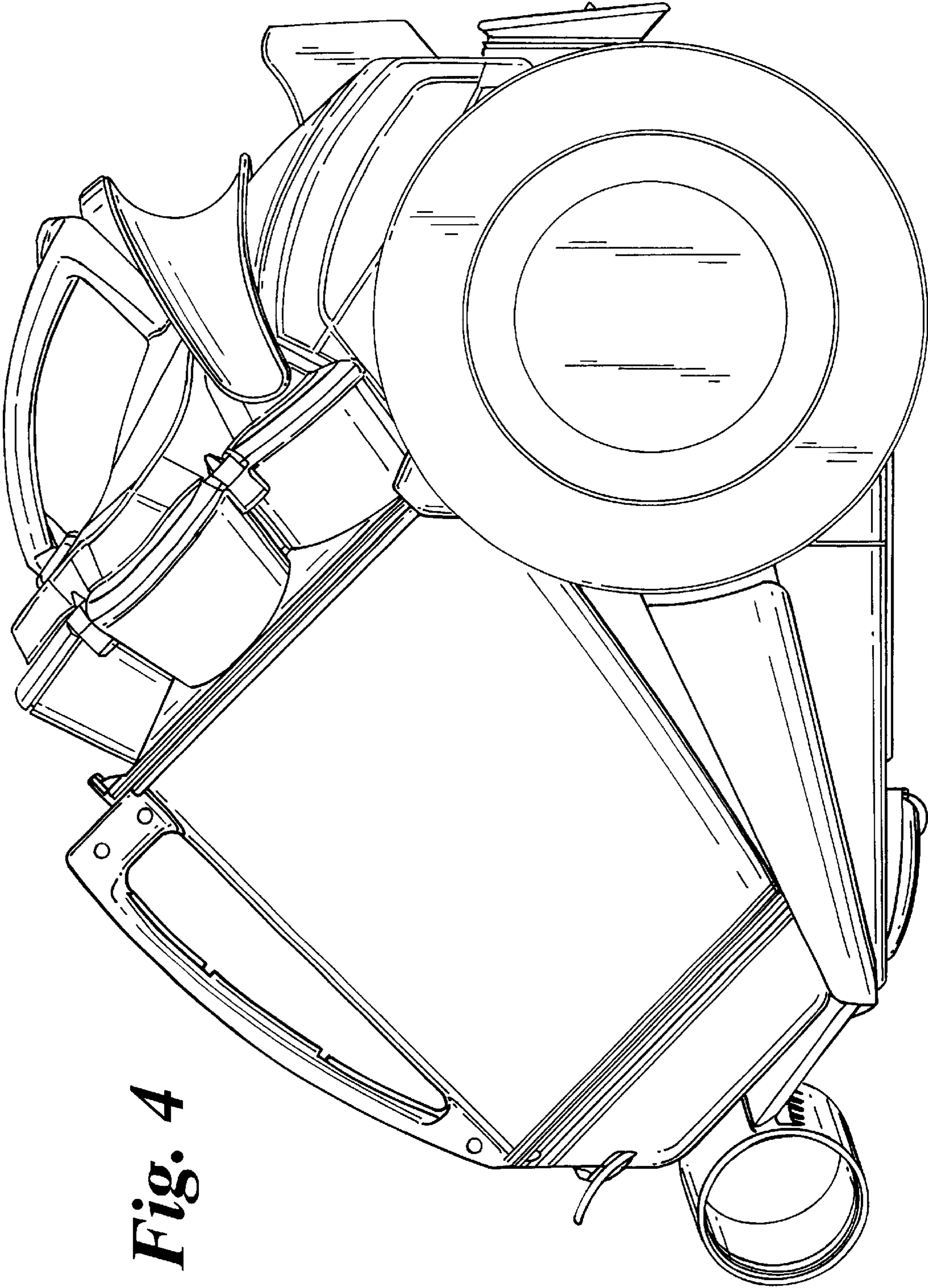
**Fig. 1**



*Fig. 2*

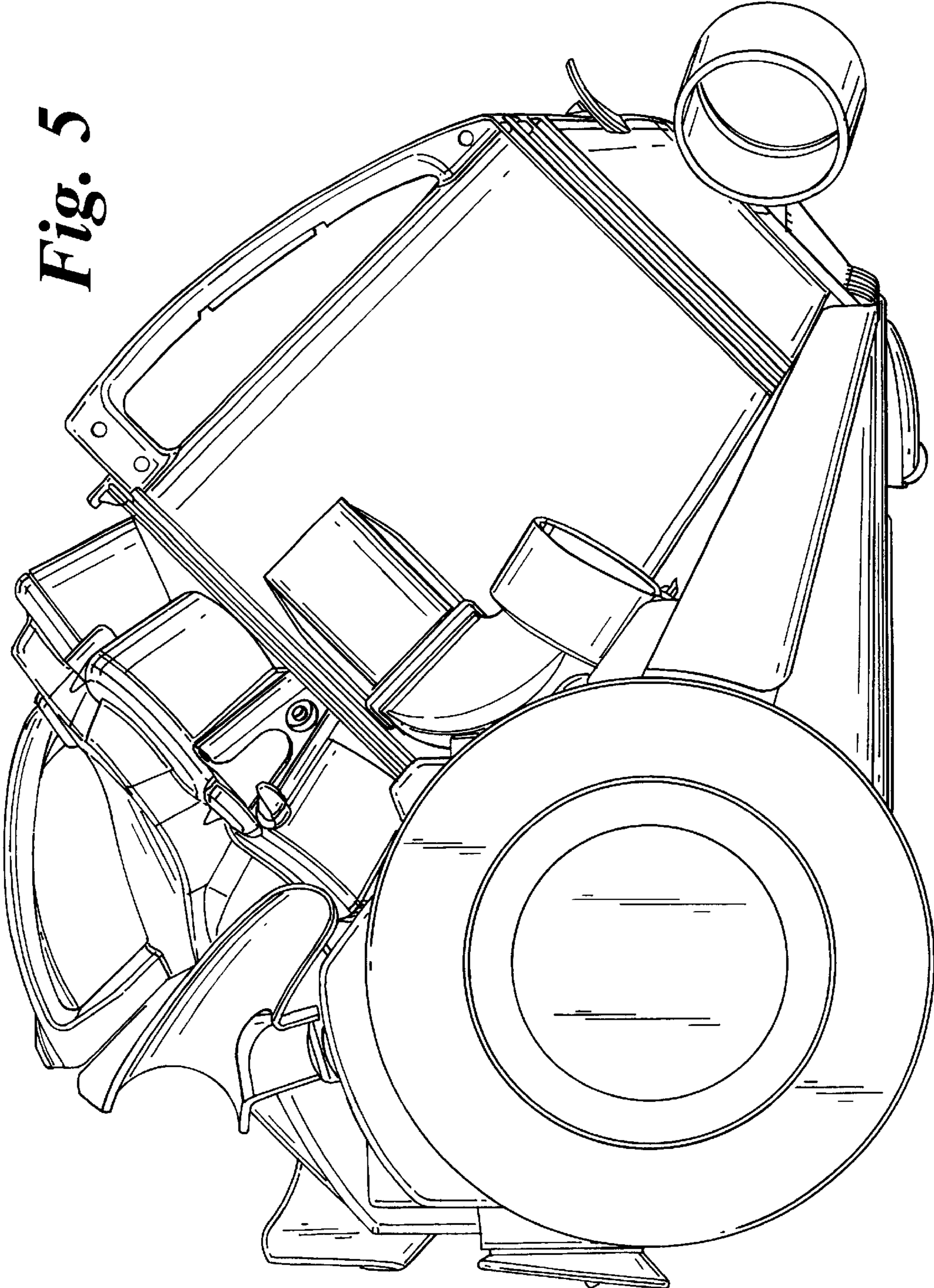


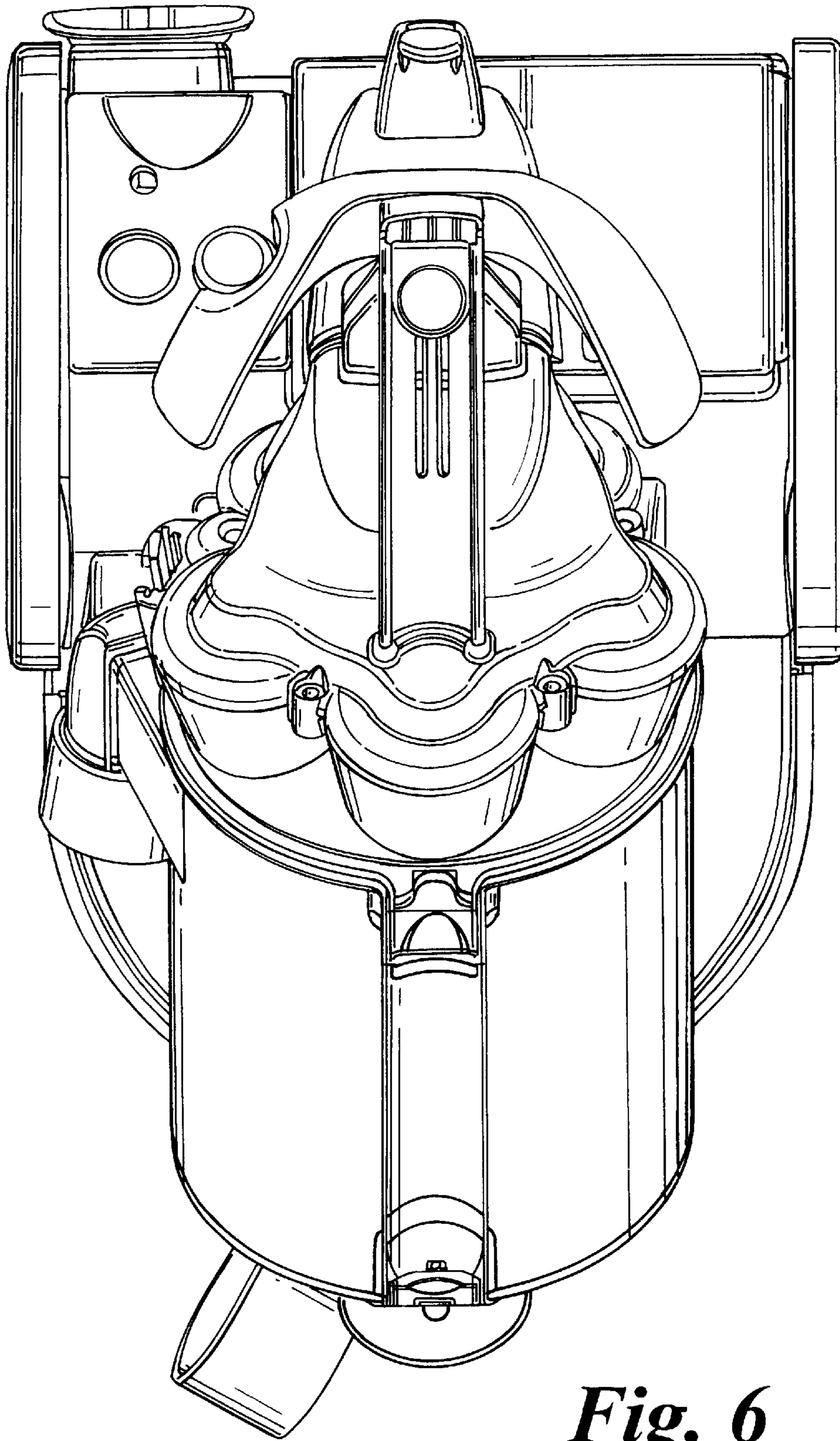
*Fig. 3*



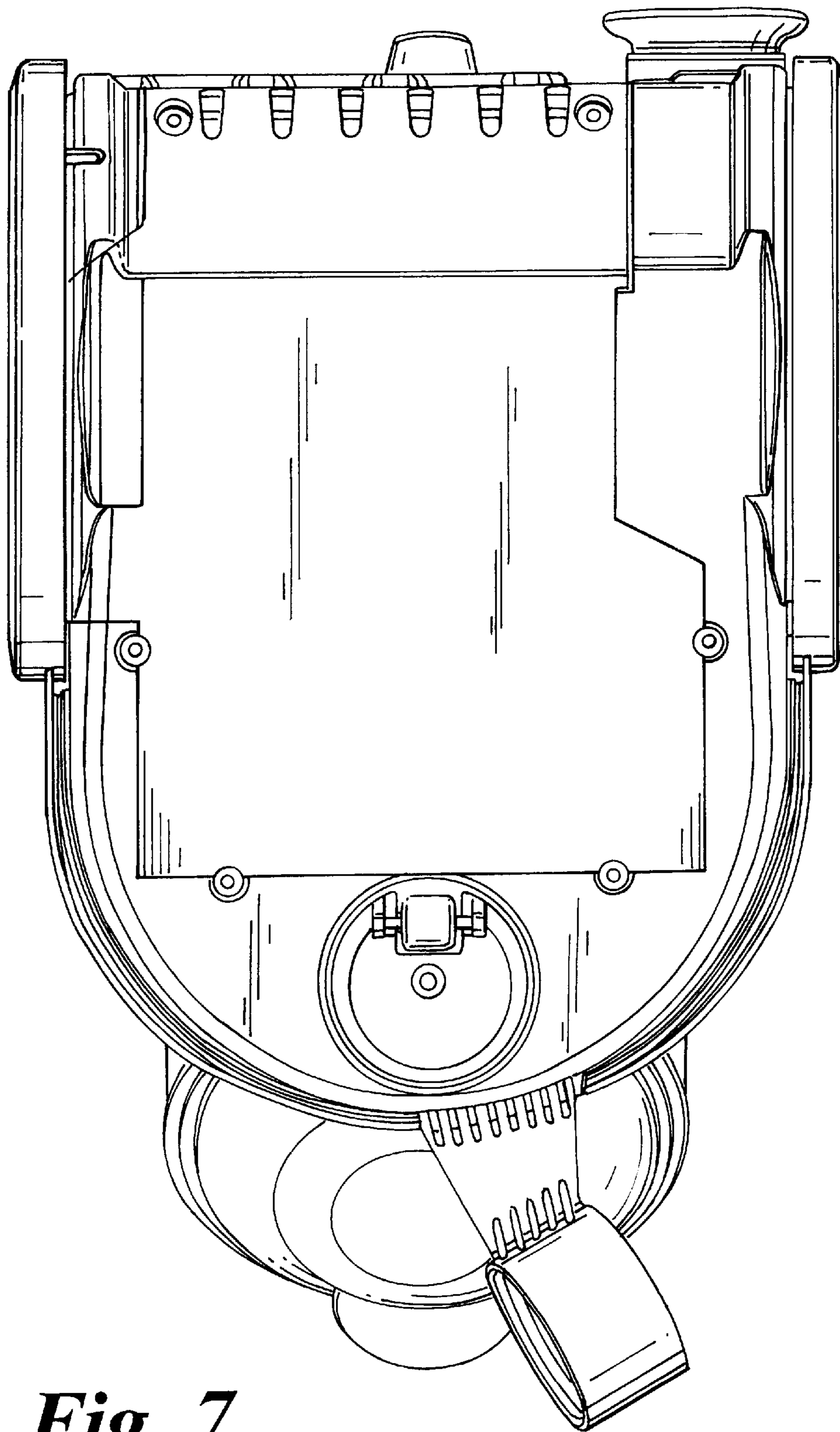
**Fig. 4**

**Fig. 5**





*Fig. 6*



***Fig. 7***