



US00D518610S

(12) **United States Design Patent**
Cheng

(10) **Patent No.:** **US D518,610 S**

(45) **Date of Patent:** **** Apr. 4, 2006**

(54) **DUST COLLECTOR**

(75) Inventor: **Chieh yuan Cheng**, Taichung (TW)

(73) Assignee: **San Ford Machinery Co., Ltd.**,
Taichung (TW)

(**) Term: **14 Years**

(21) Appl. No.: **29/210,134**

(22) Filed: **Jul. 28, 2004**

(51) **LOC (8) Cl.** **15-05**

(52) **U.S. Cl.** **D32/21**

(58) **Field of Classification Search** D32/1,
D32/15, 17-18, 21-25, 31, 34; 15/320-321,
15/323, 328-329, 344, 347, 352-353, 356,
15/377, 327.1, 327.5, 327.6, 410-411, 361,
15/247; 55/337, 341.2, 347, 356, 459.1, 460,
55/484, DIG. 3; 285/7

See application file for complete search history.

(56) **References Cited**

U.S. PATENT DOCUMENTS

| | | | | | |
|-------------|---|---------|--------|-------|--------|
| D45,405 S | * | 3/1914 | Sutton | | D32/21 |
| D289,096 S | * | 3/1987 | Larsen | | D32/21 |
| 5,163,985 A | * | 11/1992 | Chen | | 55/356 |
| 5,169,420 A | * | 12/1992 | Chen | | 55/315 |

| | | | | | |
|-----------------|---|--------|----------------|-------|----------|
| D357,094 S | * | 4/1995 | Lin | | D32/1 |
| D357,095 S | * | 4/1995 | Lin | | D32/1 |
| D358,234 S | * | 5/1995 | Lin | | D32/1 |
| 6,221,135 B1 | * | 4/2001 | Wirth et al. | | 95/273 |
| D501,964 S | * | 2/2005 | Cheng | | D32/21 |
| D502,297 S | * | 2/2005 | Cheng | | D32/21 |
| 6,875,248 B1 | * | 4/2005 | Shelton et al. | | 55/356 |
| 2005/0126136 A1 | * | 6/2005 | Cheng | | 55/341.2 |
| 2005/0183233 A1 | * | 8/2005 | Lin | | 15/352 |

* cited by examiner

Primary Examiner—Ruth McInroy

(74) *Attorney, Agent, or Firm*—Troxell Law Office, PLLC

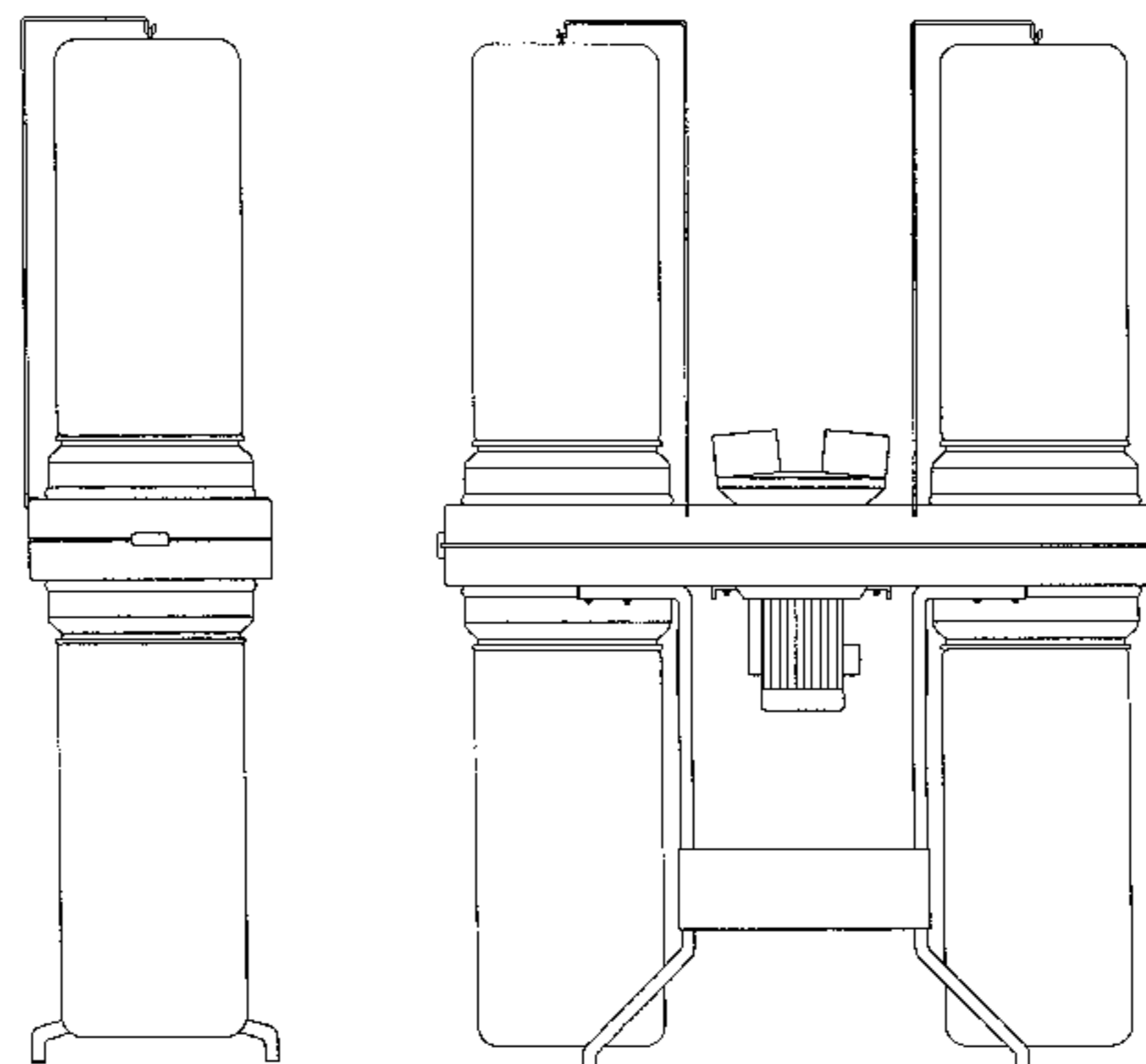
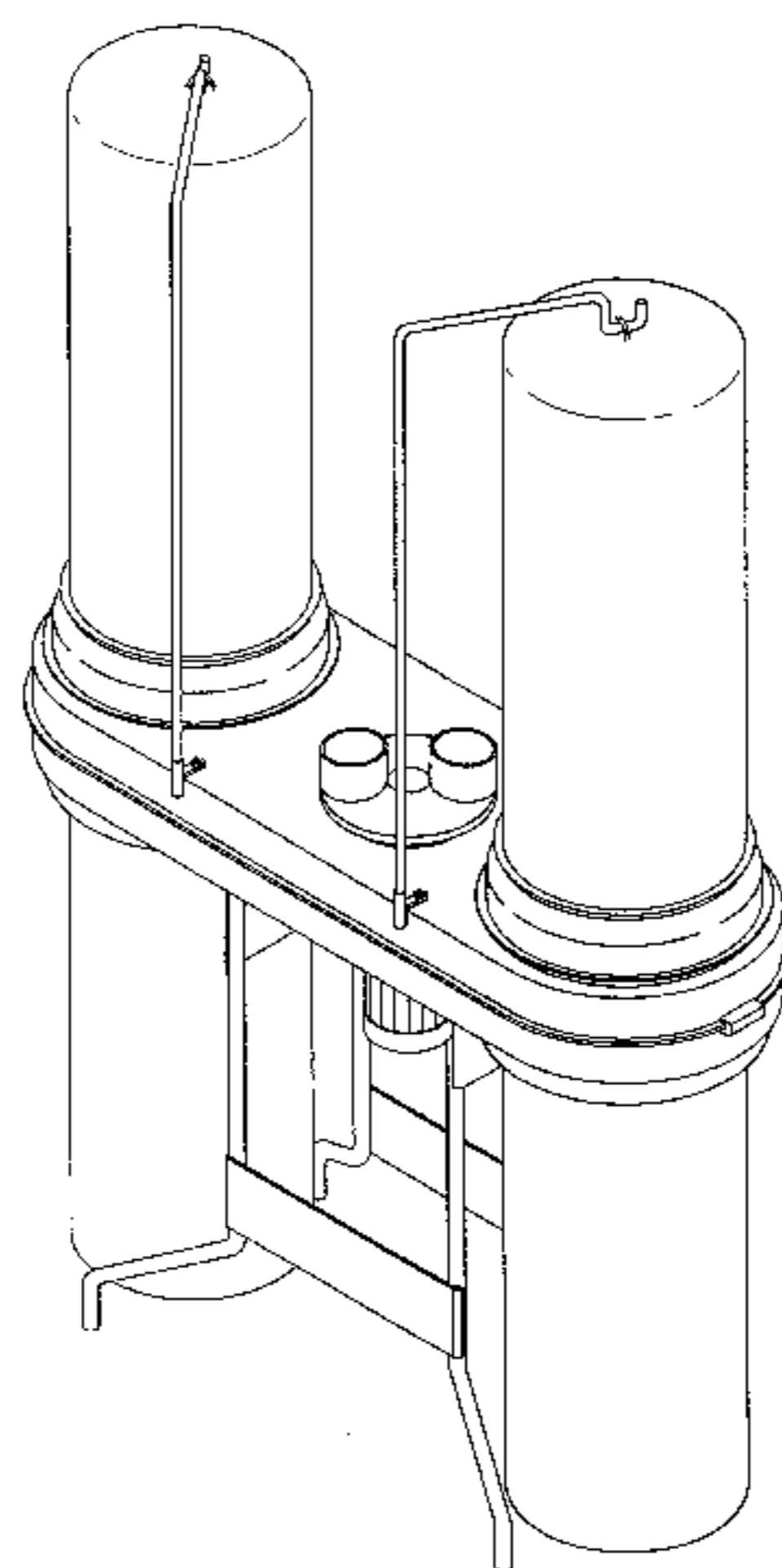
(57) **CLAIM**

I claim the ornamental design for a dust collector, as shown and described.

DESCRIPTION

FIG. 1 is a perspective view of a dust collector showing my new design;
FIG. 2 is a right side elevational view thereof;
FIG. 3 is a top plan view thereof;
FIG. 4 is a front side elevational view thereof;
FIG. 5 is a bottom plan view thereof;
FIG. 6 is a left side elevational view thereof; and,
FIG. 7 is a rear side elevational view thereof.

1 Claim, 6 Drawing Sheets



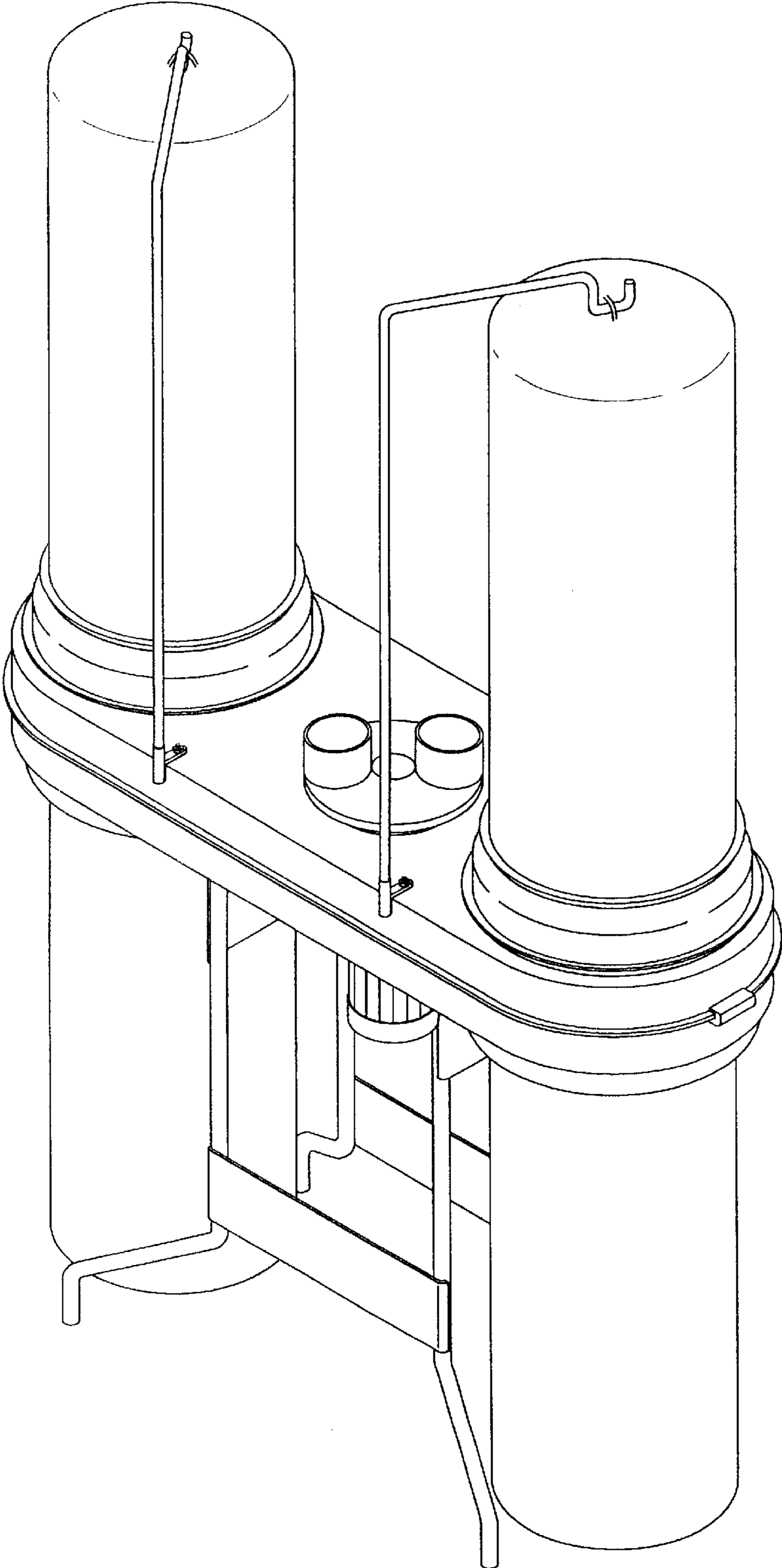


FIG. 1

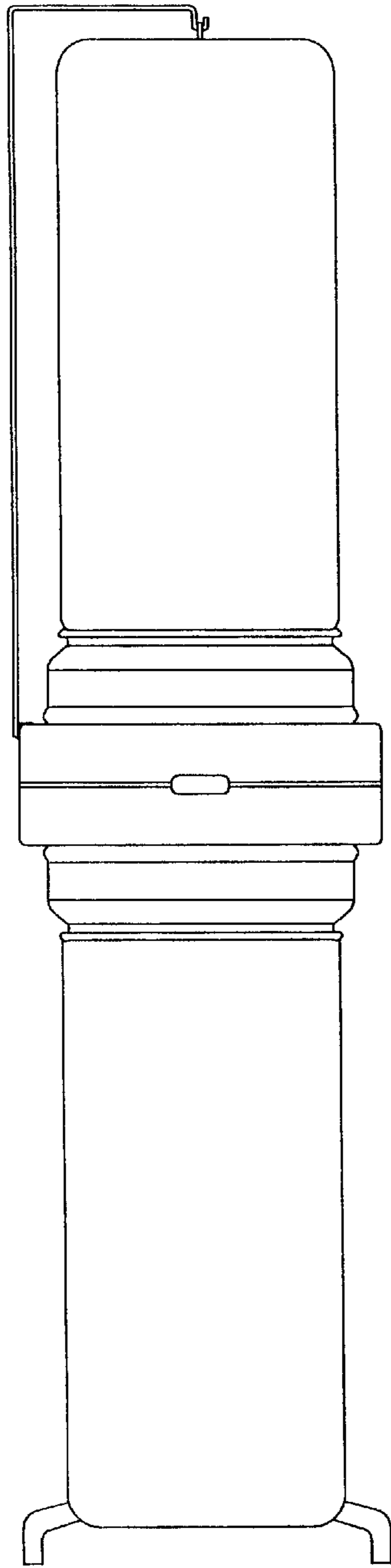


FIG. 2

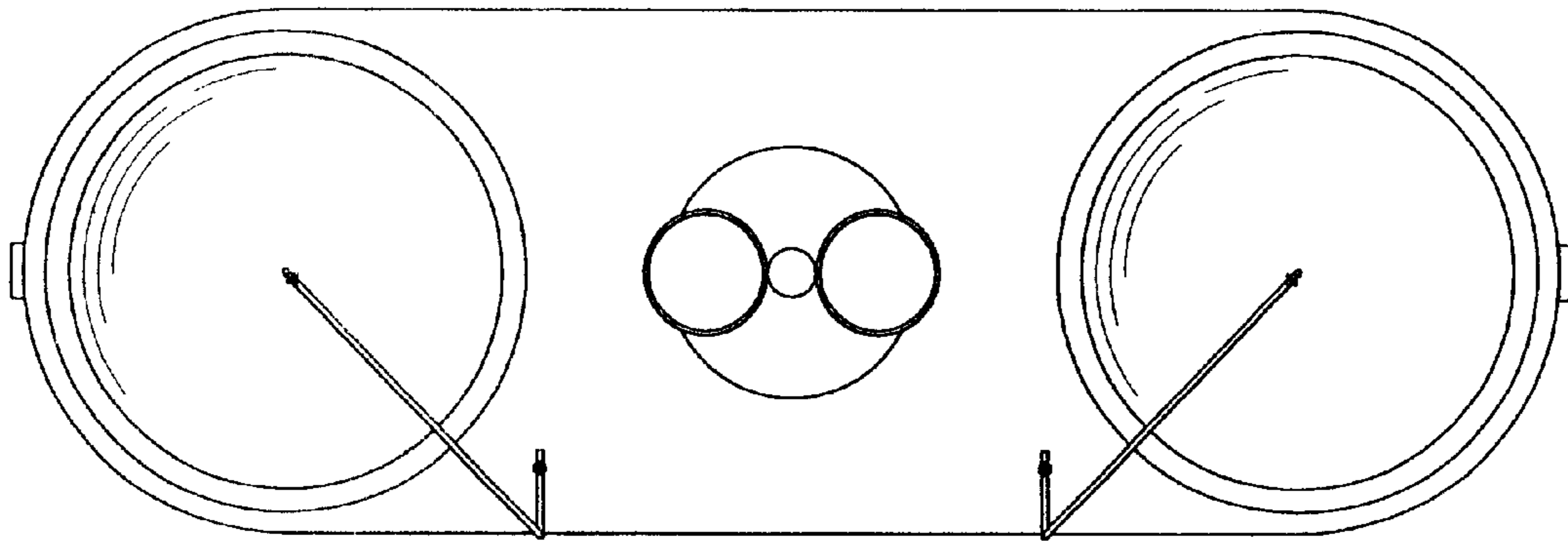


FIG. 3

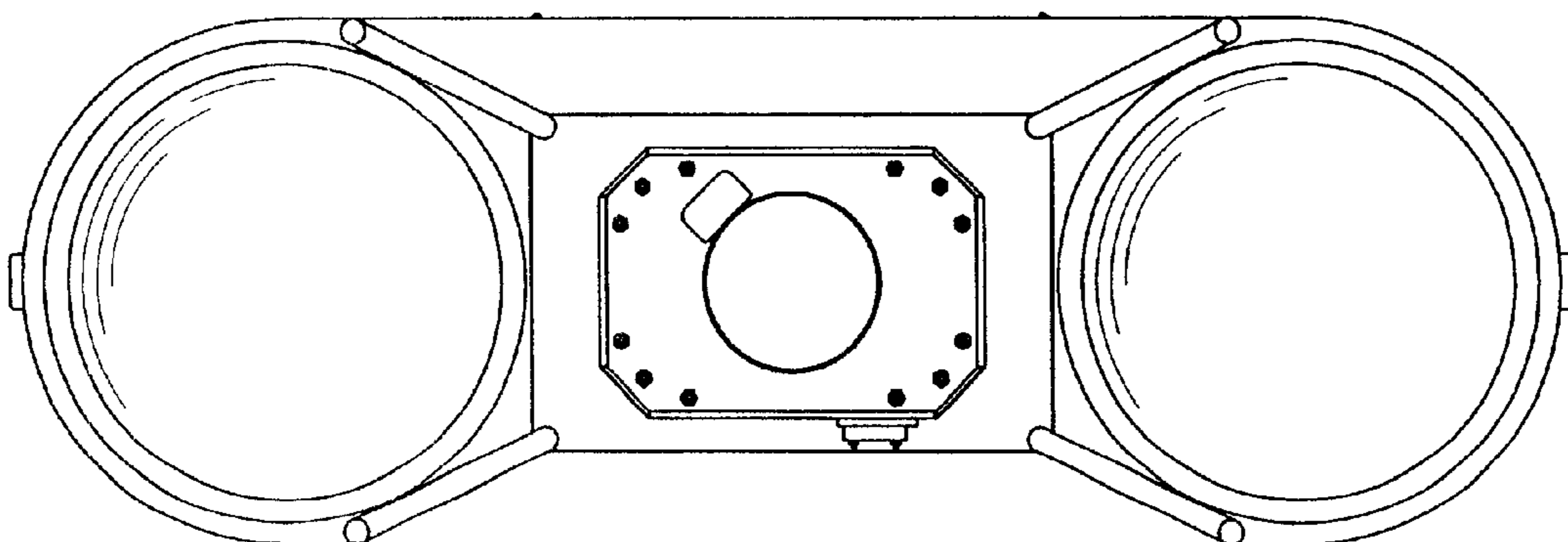


FIG. 5

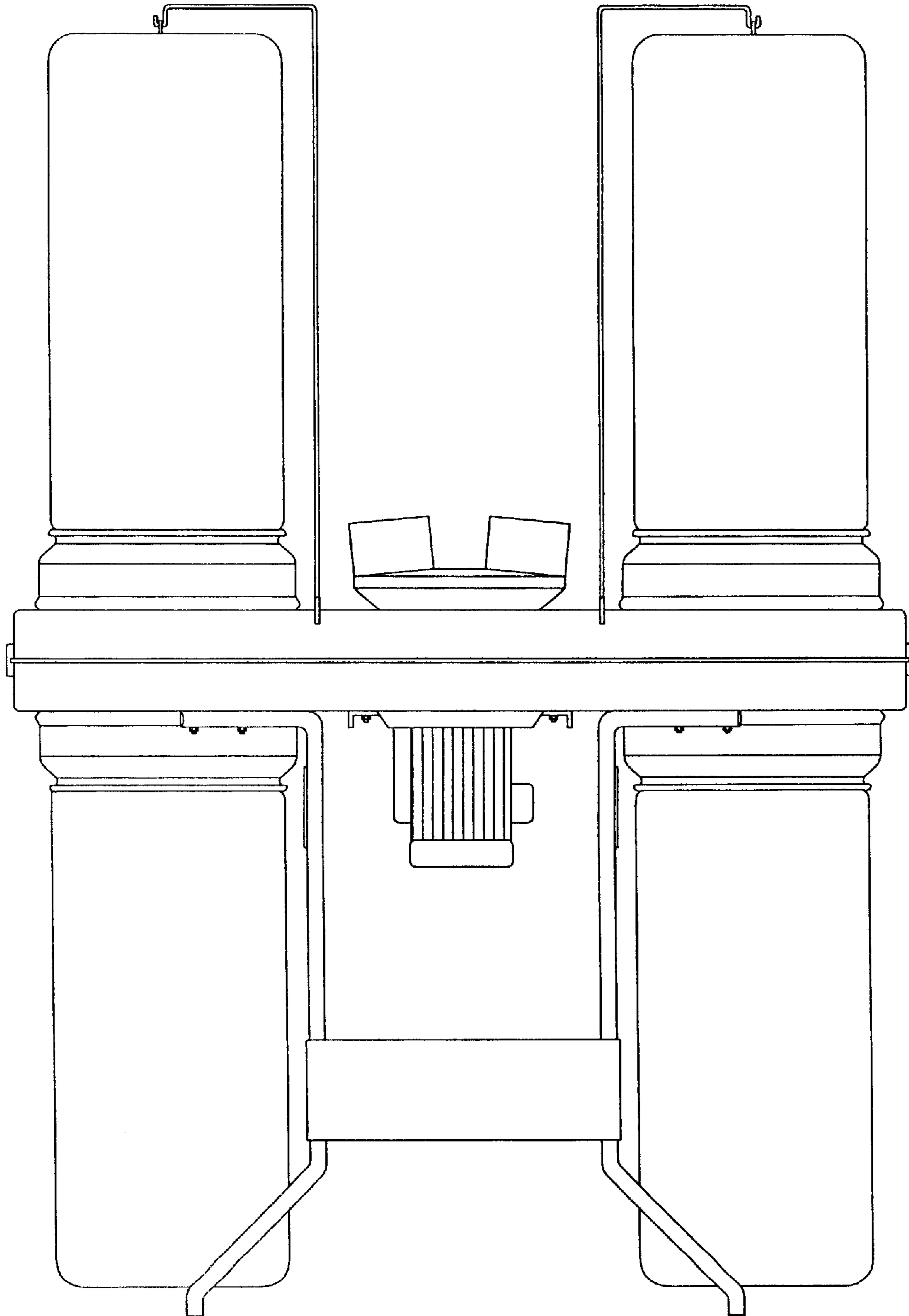


FIG. 4

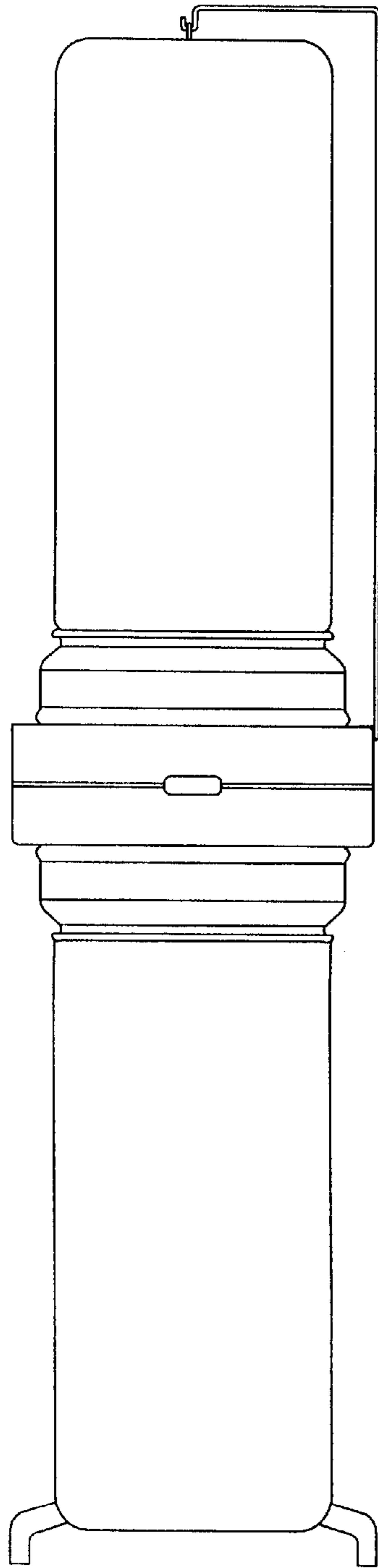


FIG. 6

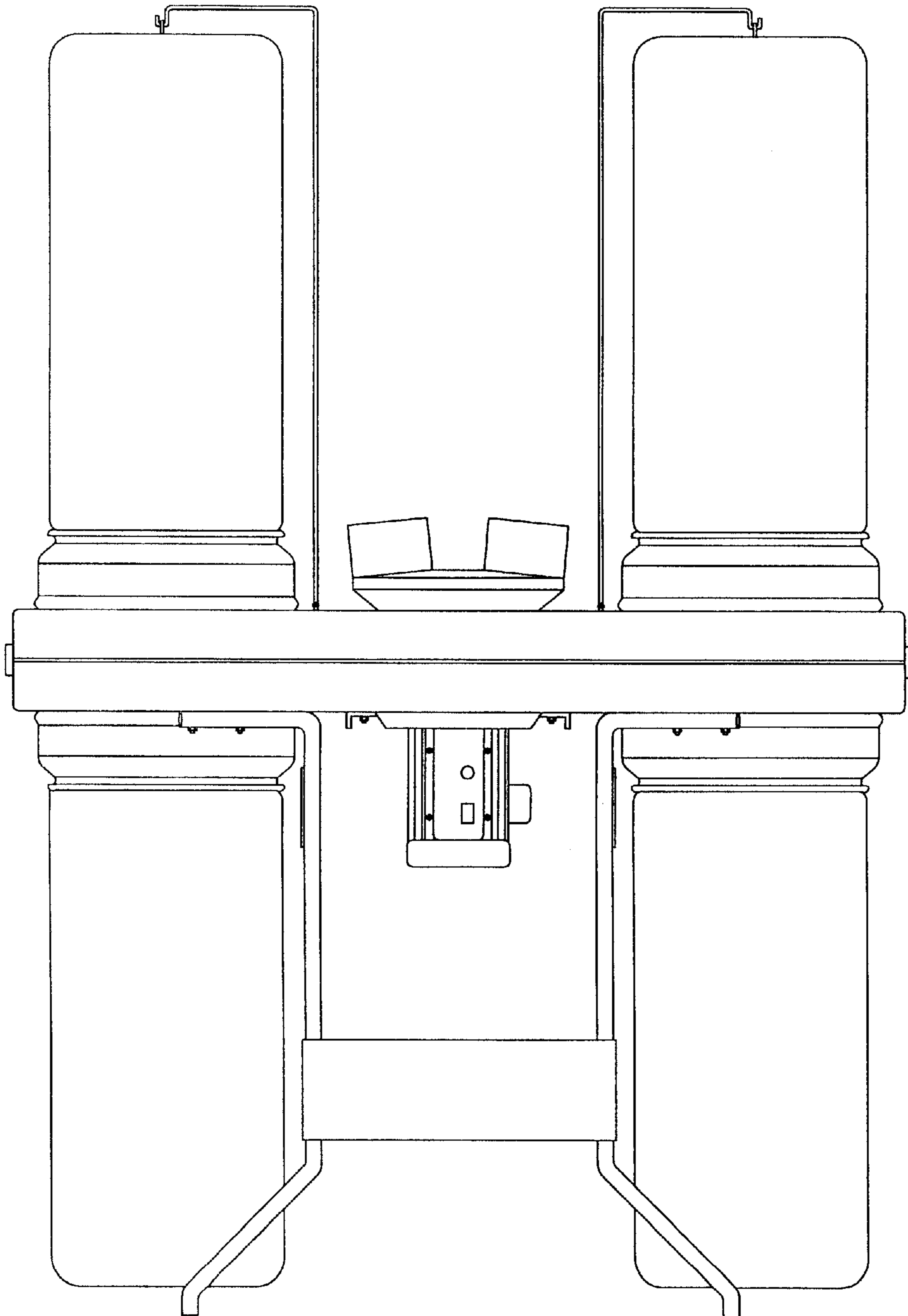


FIG. 7