

US00D518609S

(12) **United States Design Patent**
Ågren et al.

(10) **Patent No.:** **US D518,609 S**

(45) **Date of Patent:** **** Apr. 4, 2006**

(54) **VACUUM CLEANER BODY**

(75) Inventors: **Christian Ågren**, Stockholm (SE);
Esbjörn Svantesson, Stockholm (SE)

(73) Assignee: **Aktiebolaget Electrolux**, Stockholm (SE)

(**) Term: **14 Years**

(21) Appl. No.: **29/203,200**

(22) Filed: **Apr. 9, 2004**

(30) **Foreign Application Priority Data**

Oct. 13, 2003 (EM) 85089

(51) **LOC (8) Cl.** **15-05**

(52) **U.S. Cl.** **D32/21**

(58) **Field of Classification Search** D32/1,
D32/15, 17-18, 21-25, 31, 34; 15/320-321,
15/323, 328-329, 344, 352-353, 356, 377,
15/327.1, 327.5, 327.6, 410-411, 361, 247;
55/337, 341.2, 347, 356, 459.1, 460, 484,
55/DIG. 3; 285/7

See application file for complete search history.

(56) **References Cited**

U.S. PATENT DOCUMENTS

D325,273 S	*	4/1992	Ikeda et al.	D32/21
D394,527 S	*	5/1998	Pochopien et al.	D32/21
D399,617 S	*	10/1998	Fujita	D32/21
D417,046 S	*	11/1999	Tsuruha et al.	D32/21
D430,366 S	*	8/2000	Sato et al.	D32/21
D455,875 S	*	4/2002	Lee	D32/21
D456,101 S	*	4/2002	Lee	D32/21
D459,040 S	*	6/2002	Oh	D32/21
D485,653 S	*	1/2004	Warburton	D32/21
D490,580 S	*	5/2004	Choi	D32/21

D493,585 S	*	7/2004	Choi	D32/21
D493,586 S	*	7/2004	Choi	D32/21
D499,849 S	*	12/2004	Lam	D32/21

* cited by examiner

Primary Examiner—Ruth McInroy

(74) *Attorney, Agent, or Firm*—Pearne & Gordon LLP

(57) **CLAIM**

The ornamental design for a vacuum cleaner body, as shown and described.

DESCRIPTION

FIG. 1 is a perspective view of a vacuum cleaner body showing our new design;

FIG. 2 is a rear elevation view of the first embodiment thereof;

FIG. 3 is a right side elevation view of the first embodiment thereof;

FIG. 4 is a top plan view of the first embodiment thereof;

FIG. 5 is a front elevation view of the first embodiment thereof;

FIG. 6 is a left side elevation view of the first embodiment thereof;

FIG. 7 is a perspective view of the second embodiment thereof;

FIG. 8 is a rear elevation view of the second embodiment thereof;

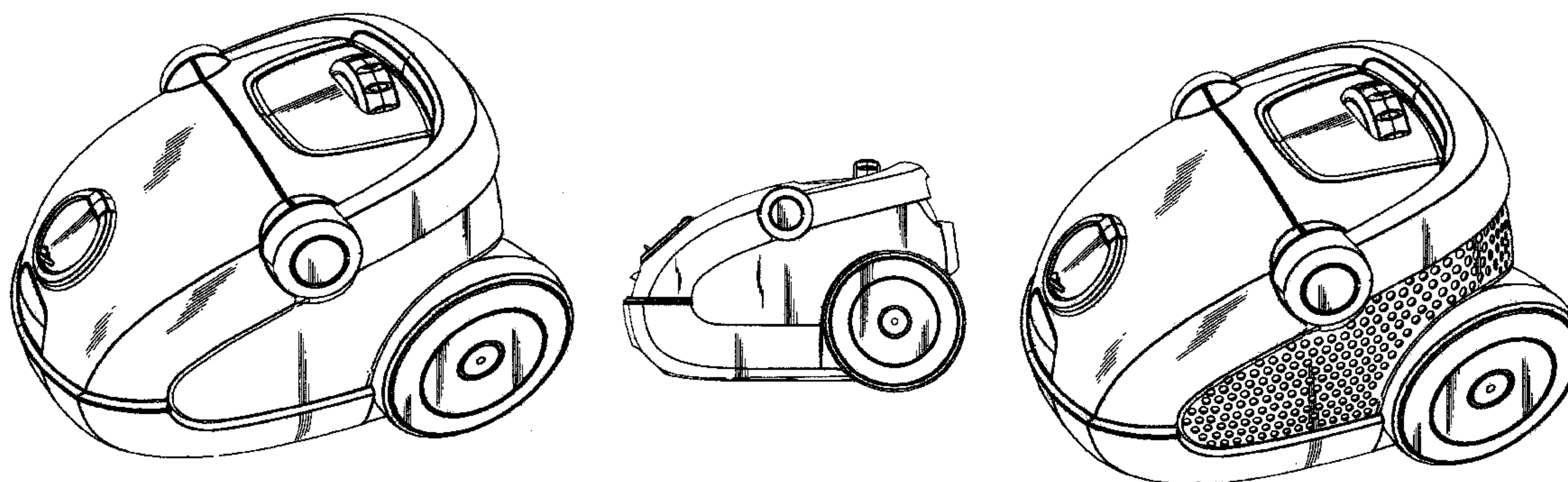
FIG. 9 is a right side elevation view of the second embodiment thereof;

FIG. 10 is a top plan view of the second embodiment thereof;

FIG. 11 is a front elevation view of the second embodiment thereof; and,

FIG. 12 is a left side elevation view of the second embodiment thereof.

1 Claim, 6 Drawing Sheets



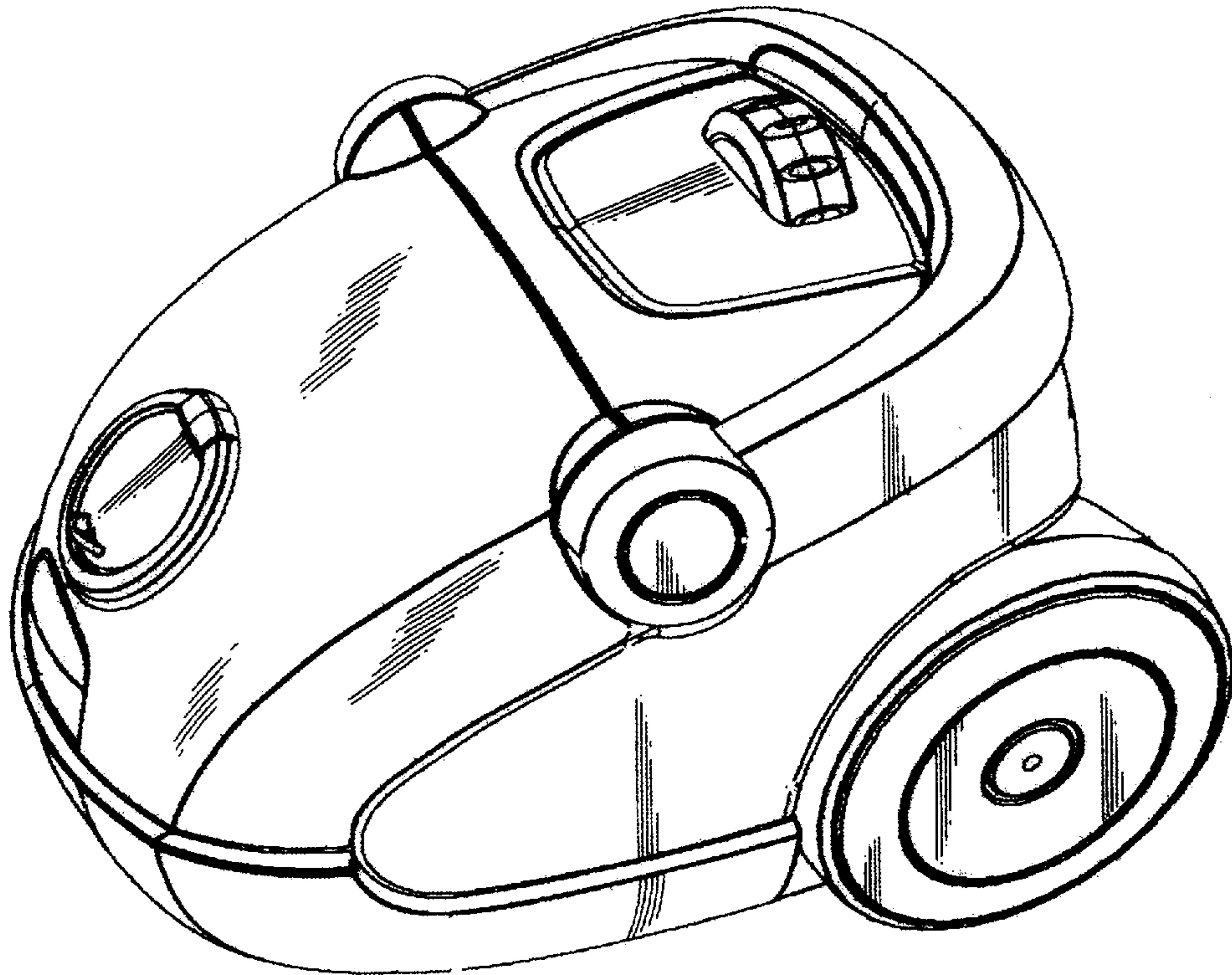


FIG. 1

FIG. 2

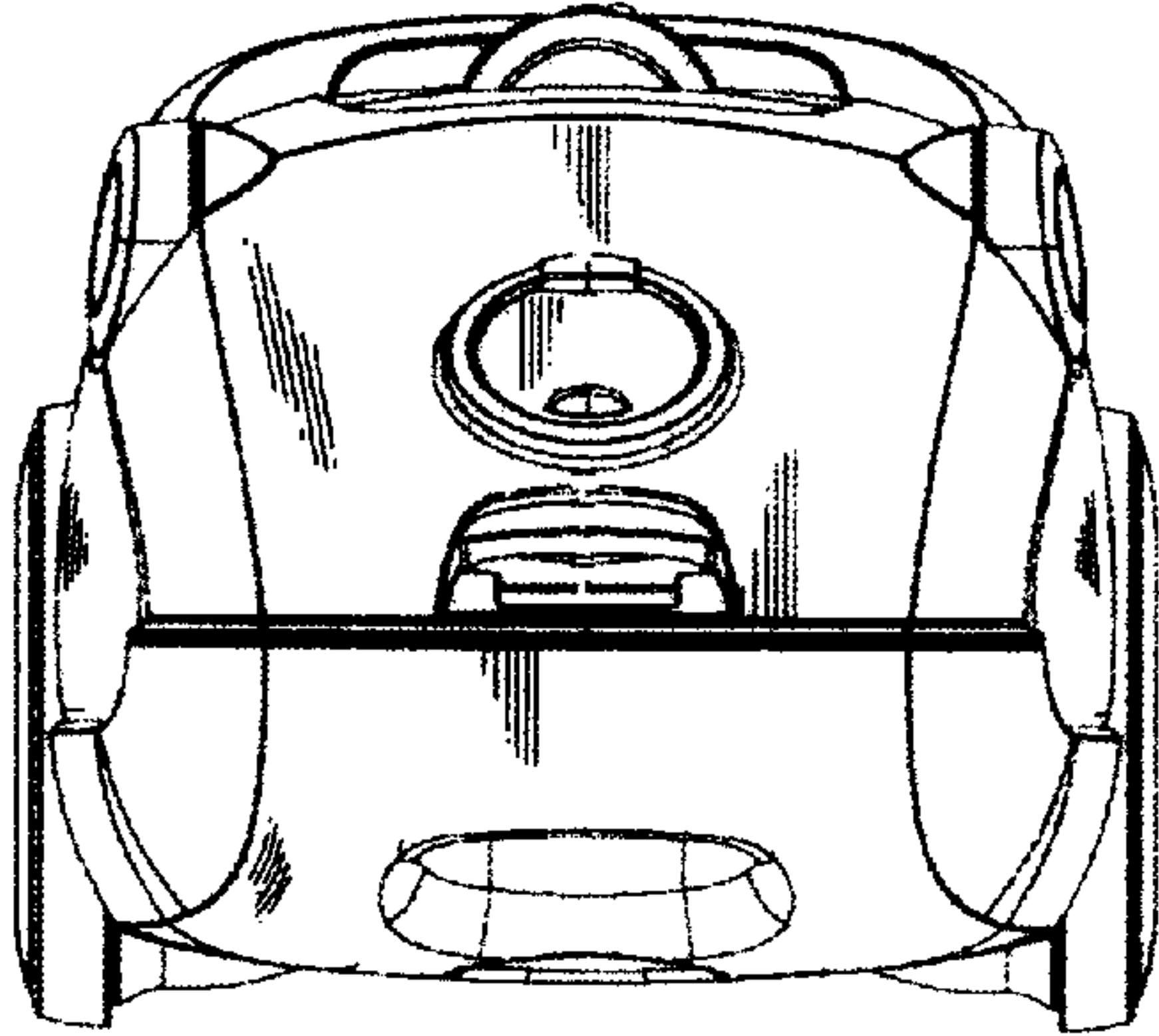


FIG. 3

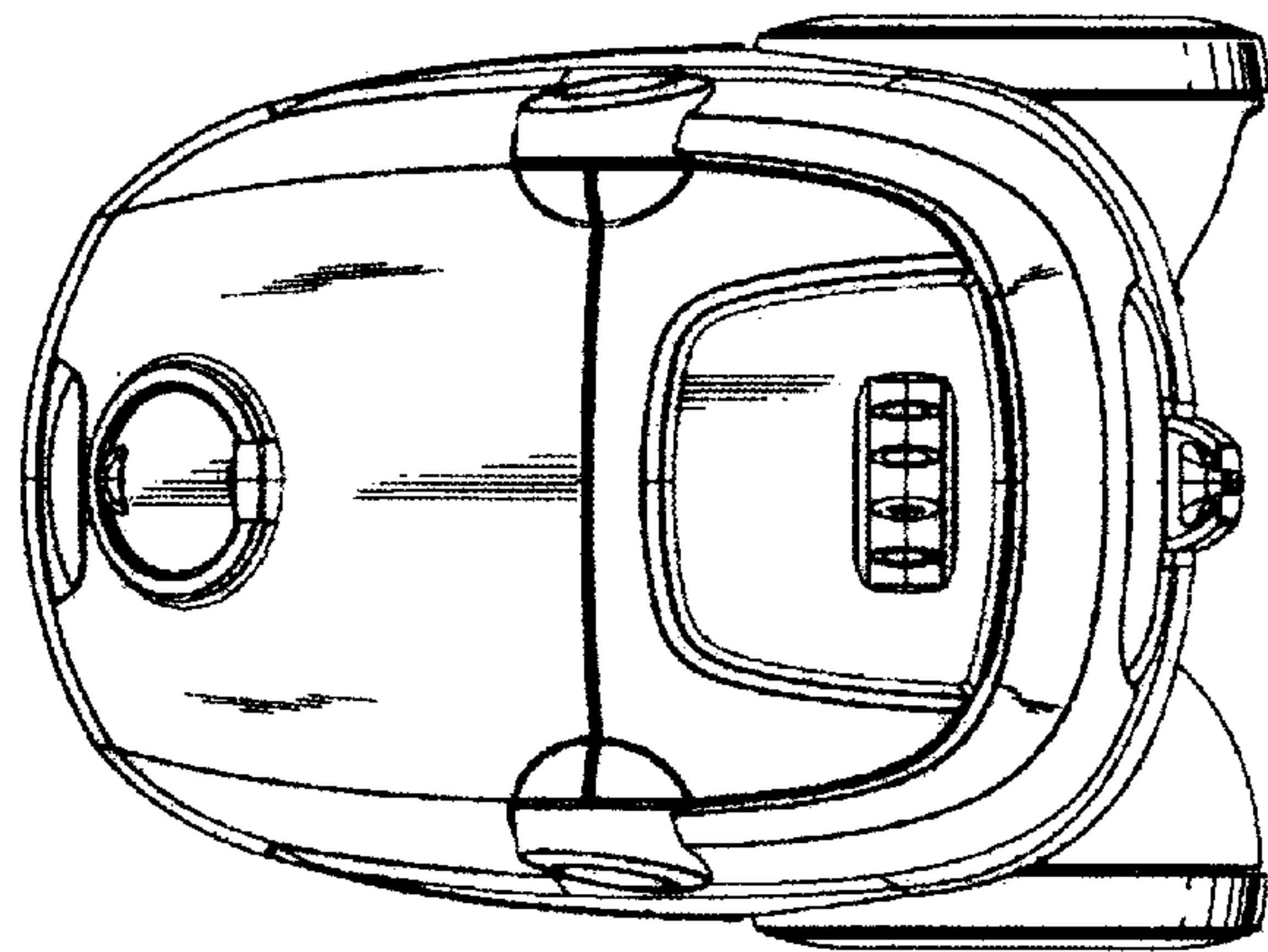
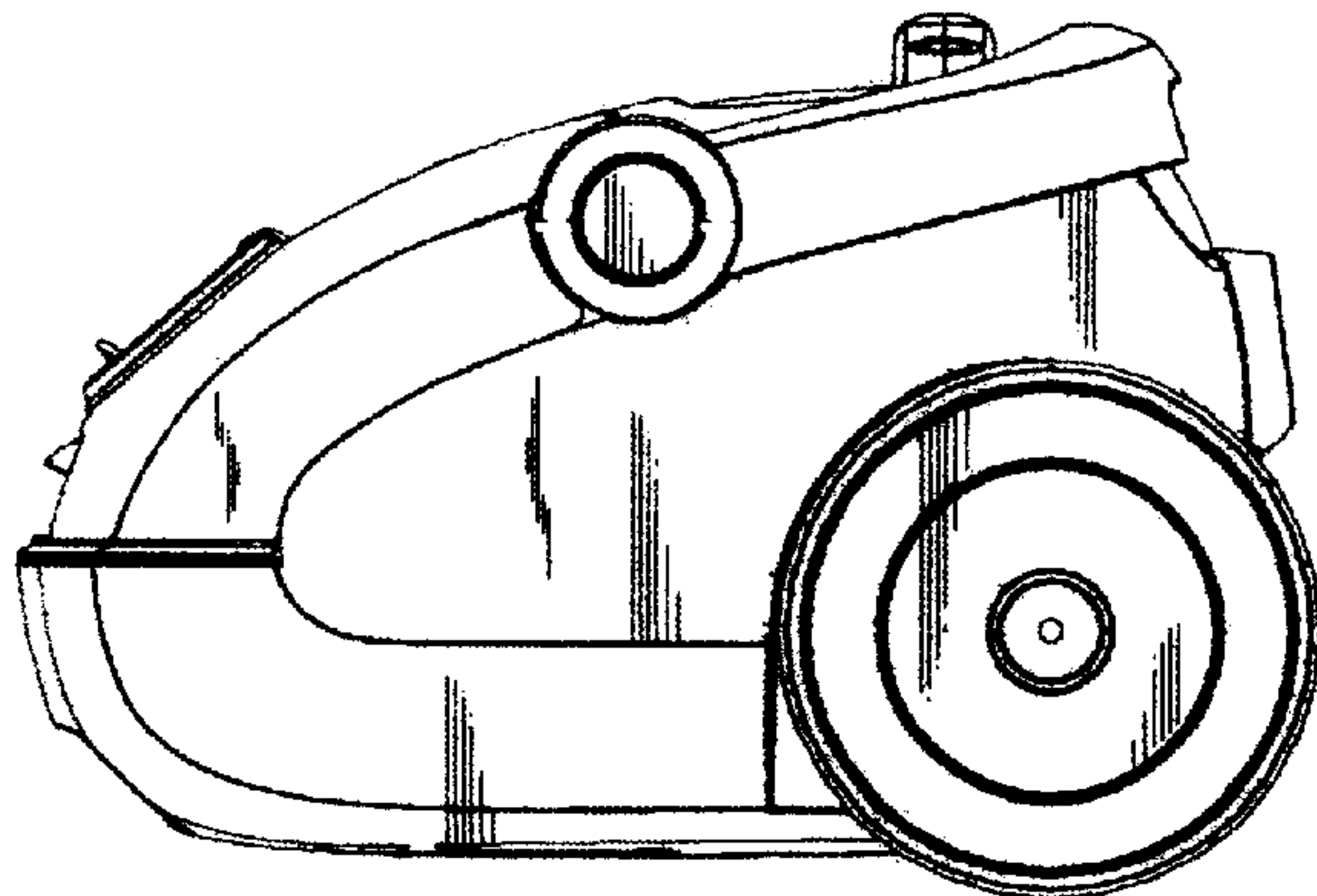


FIG. 4

FIG. 5

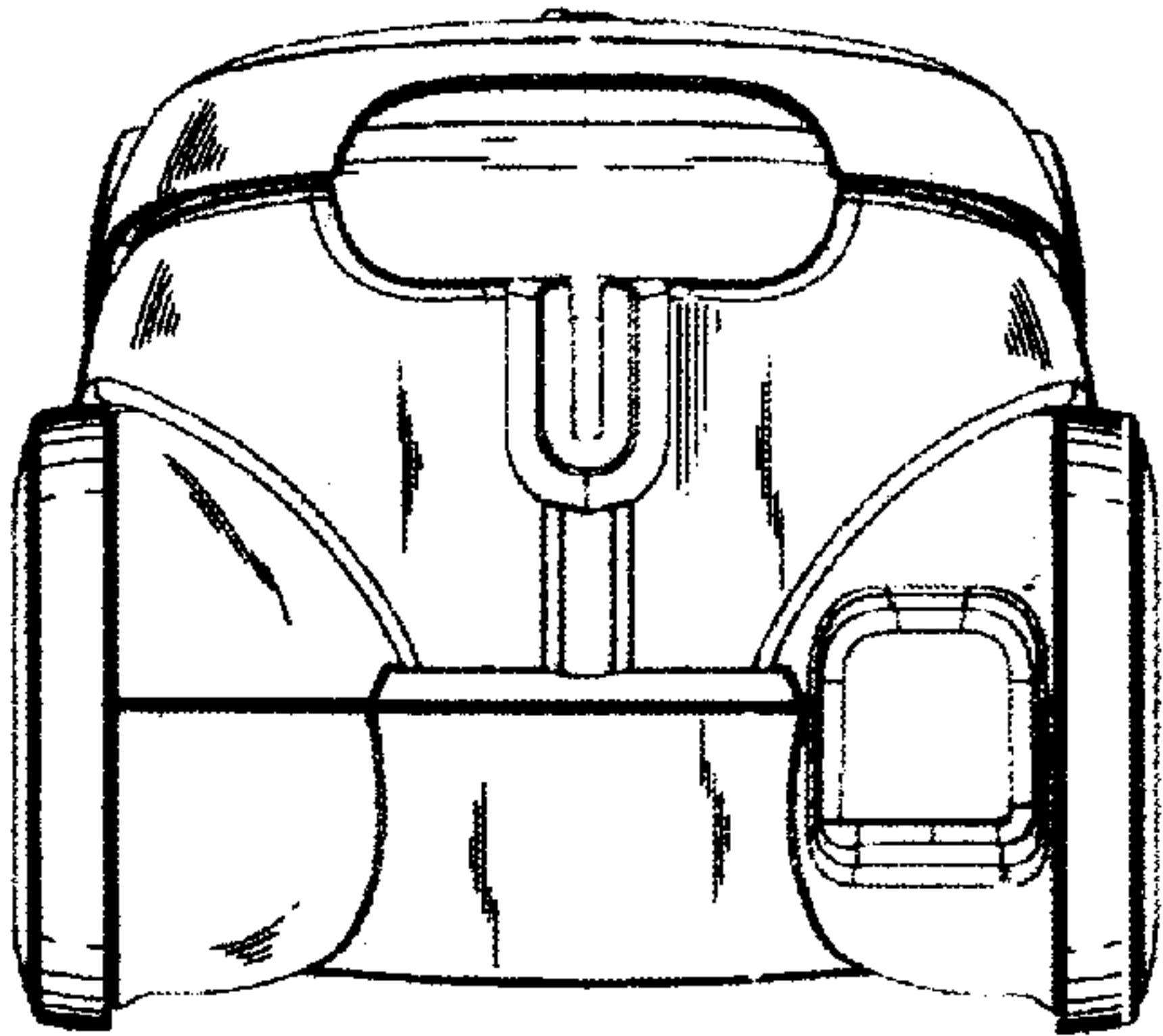
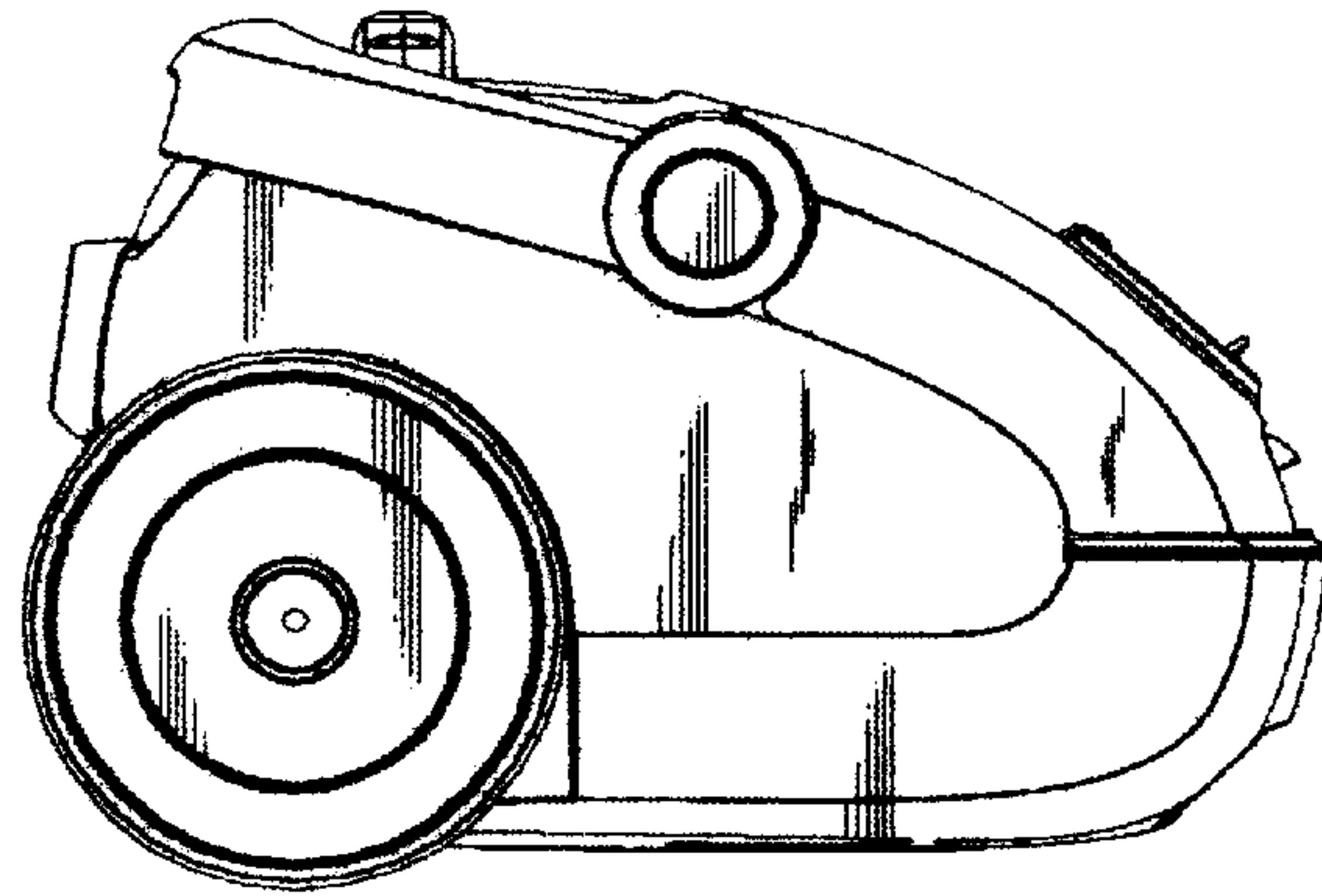


FIG. 6



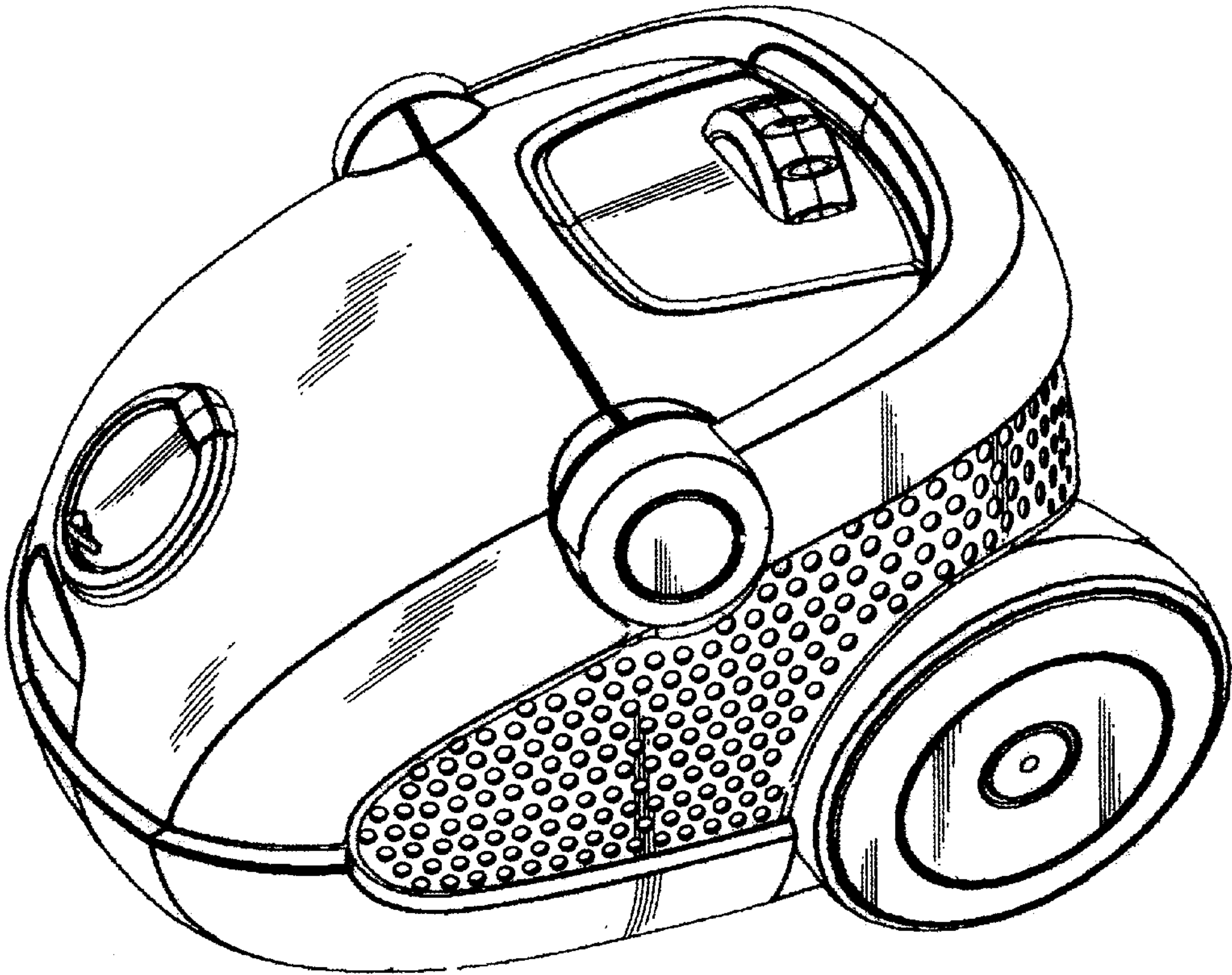


FIG. 7

FIG. 8

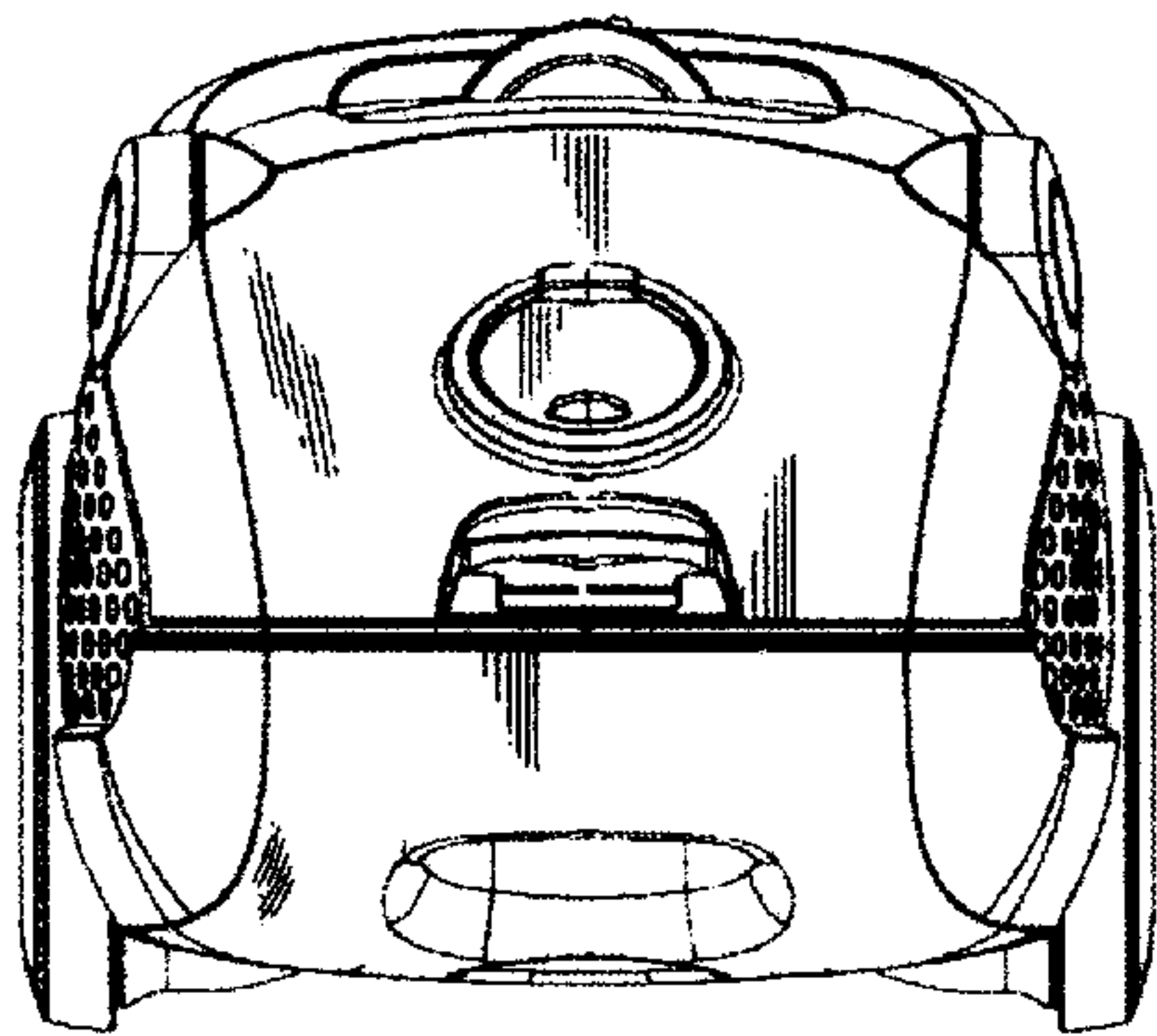


FIG. 9

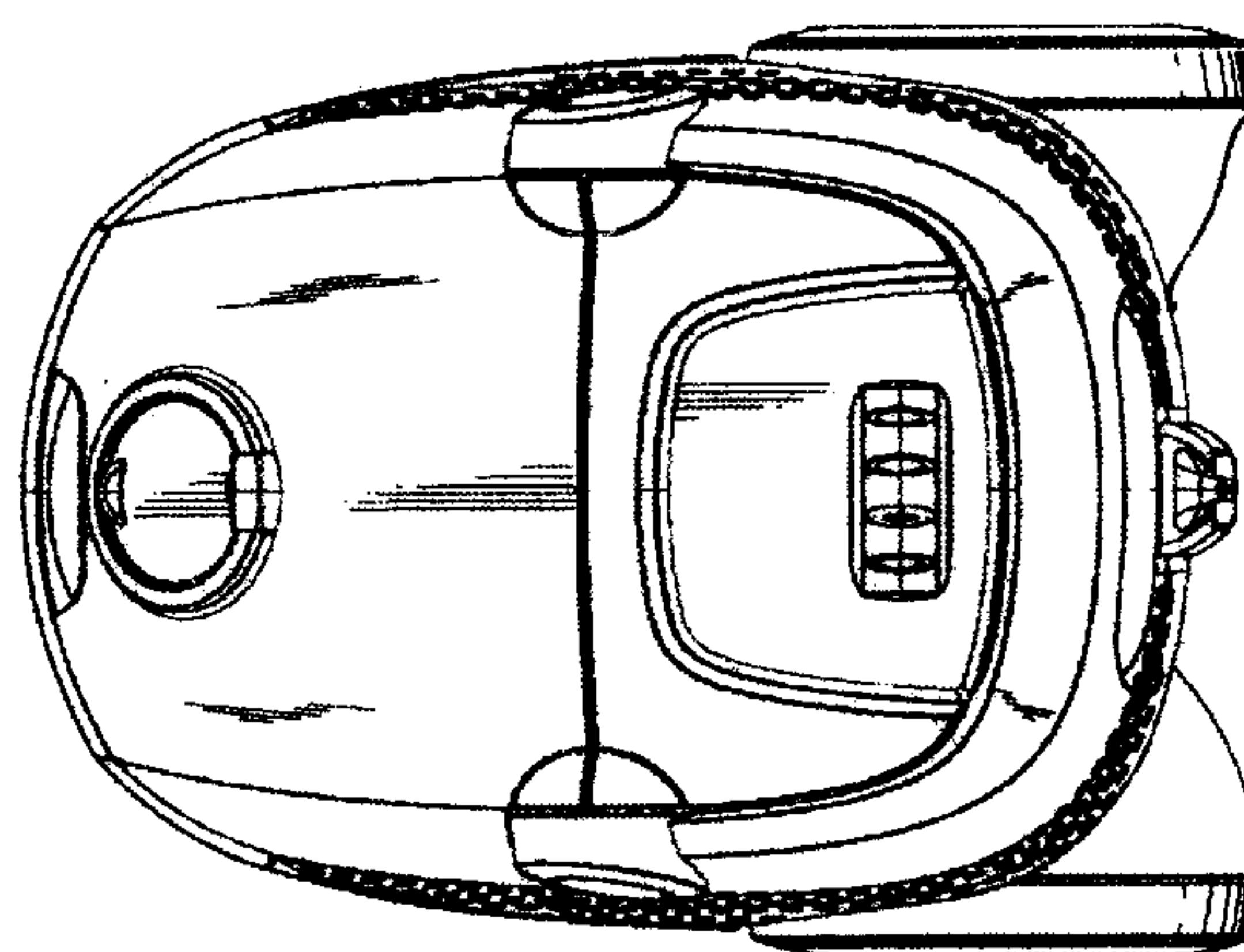
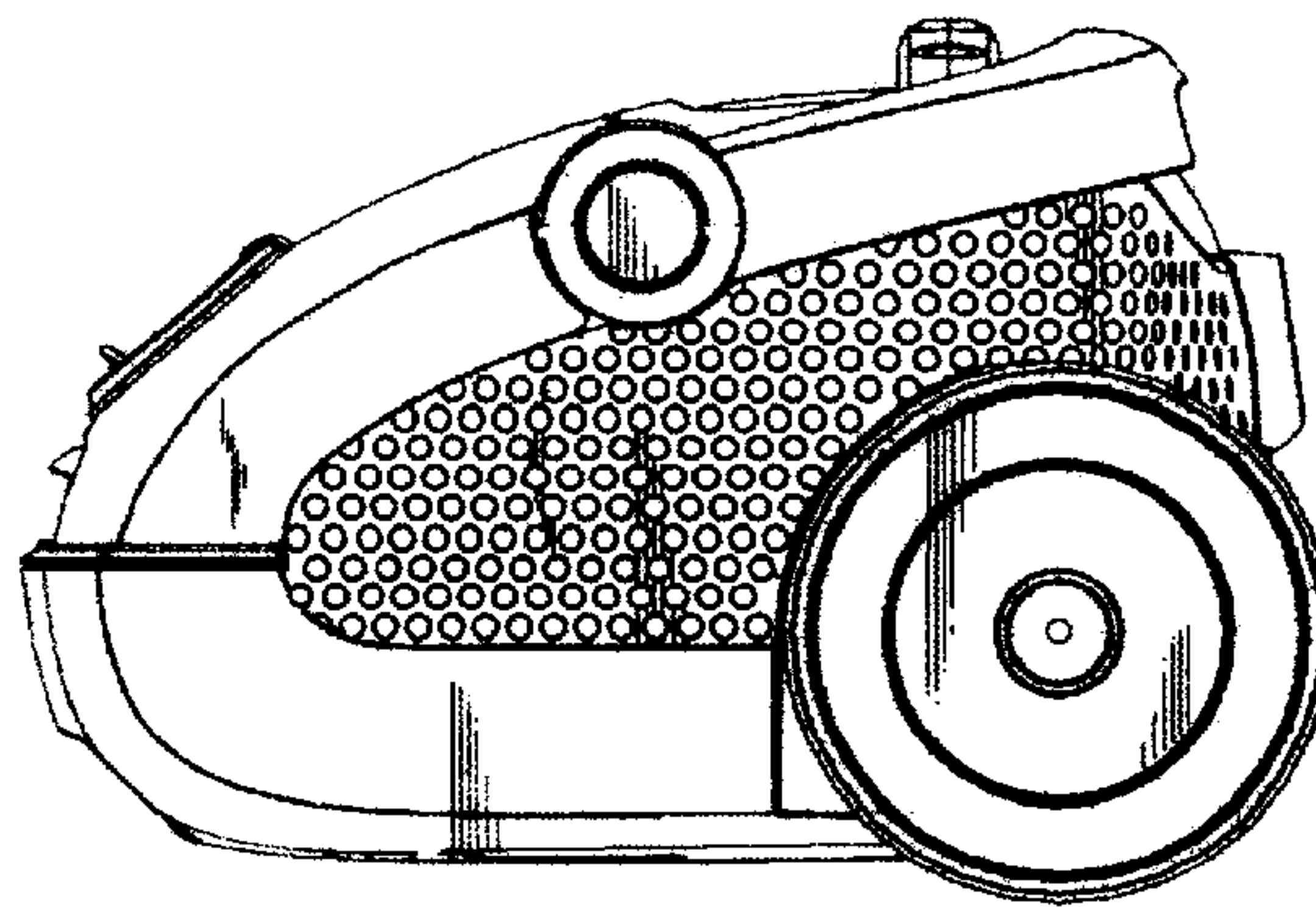


FIG. 10

FIG. 11

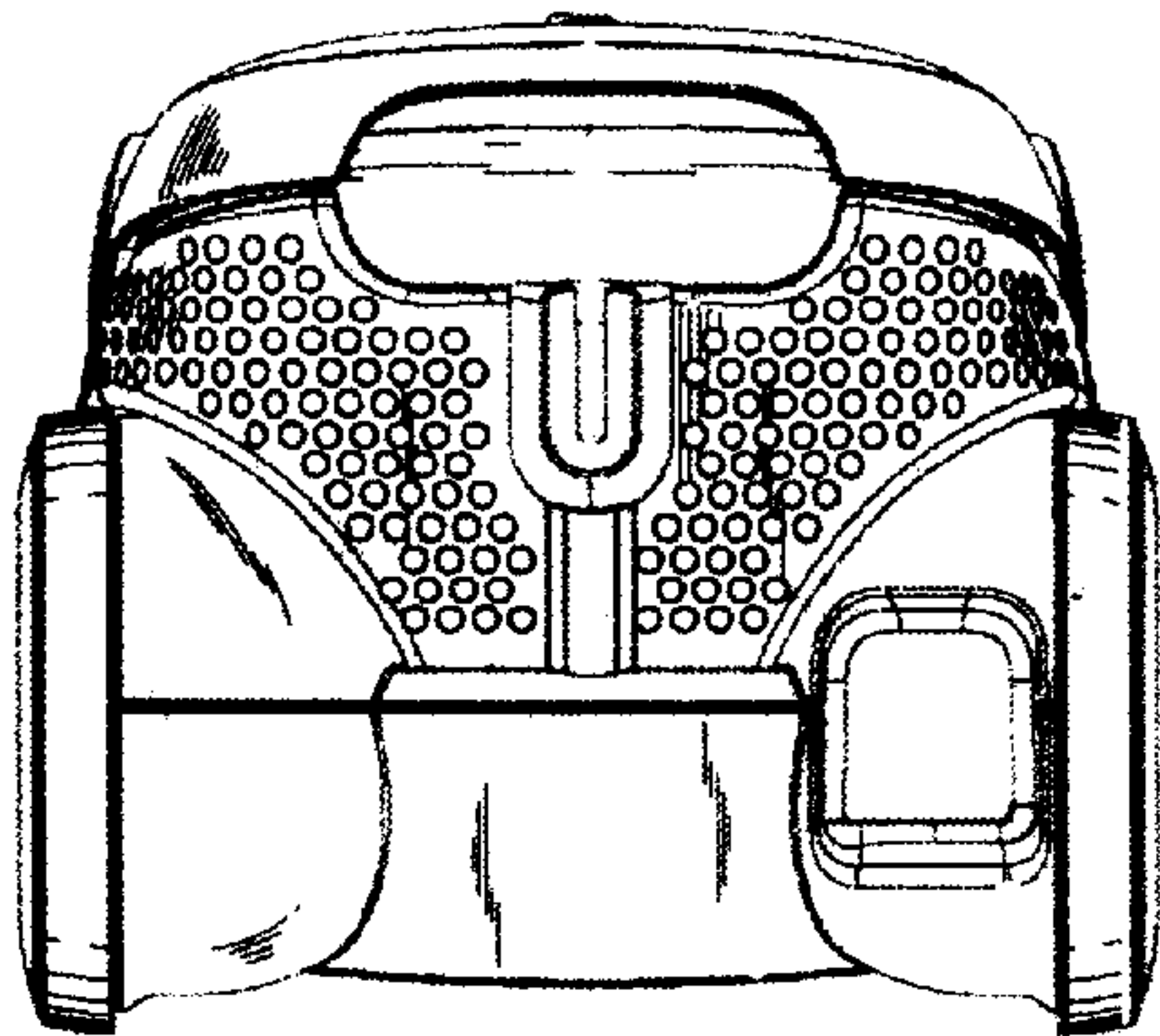


FIG. 12

