



US00D518607S

(12) **United States Design Patent**
Franzino

(10) **Patent No.:** **US D518,607 S**

(45) **Date of Patent:** **** Apr. 4, 2006**

(54) **TUBE CLEANING MACHINE**

(75) Inventor: **Joseph J Franzino**, Redding, CT (US)

(73) Assignee: **Goodway Technologies Corporation**,
Stamford, CT (US)

(**) Term: **14 Years**

(21) Appl. No.: **29/197,315**

(22) Filed: **Jan. 13, 2004**

(51) **LOC (8) Cl.** **15-05**

(52) **U.S. Cl.** **D32/1**

(58) **Field of Classification Search** D32/1,
D32/25; 15/104.001, 104.03, 104.04, 104.05,
15/104.09, 246, 246.5; 417/234; 239/146
See application file for complete search history.

(56) **References Cited**

U.S. PATENT DOCUMENTS

- 3,675,851 A * 7/1972 Merfeld et al. 239/318
- 4,244,072 A * 1/1981 Dunham et al. 15/104.095
- D281,632 S * 12/1985 Yang D32/15

- 5,201,638 A * 4/1993 Bieri 417/234
- 5,700,137 A * 12/1997 Simonette 417/364
- D408,952 S * 4/1999 Page D34/25
- D458,423 S * 6/2002 Rehkugler et al. D32/16
- D502,532 S * 3/2005 Schroeder et al. D23/225

* cited by examiner

Primary Examiner—Louis S. Zarfes

Assistant Examiner—Kathleen M. Sims

(74) *Attorney, Agent, or Firm*—Patrick J. Walsh

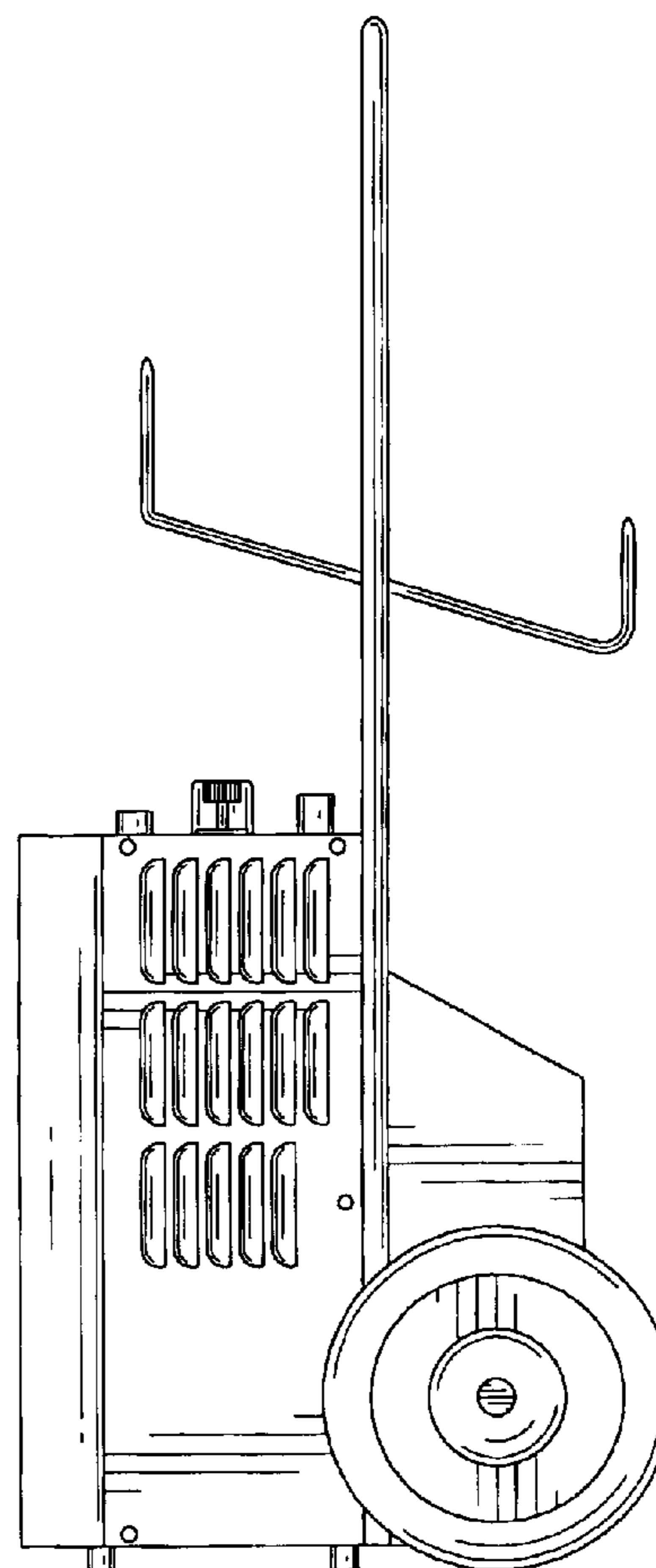
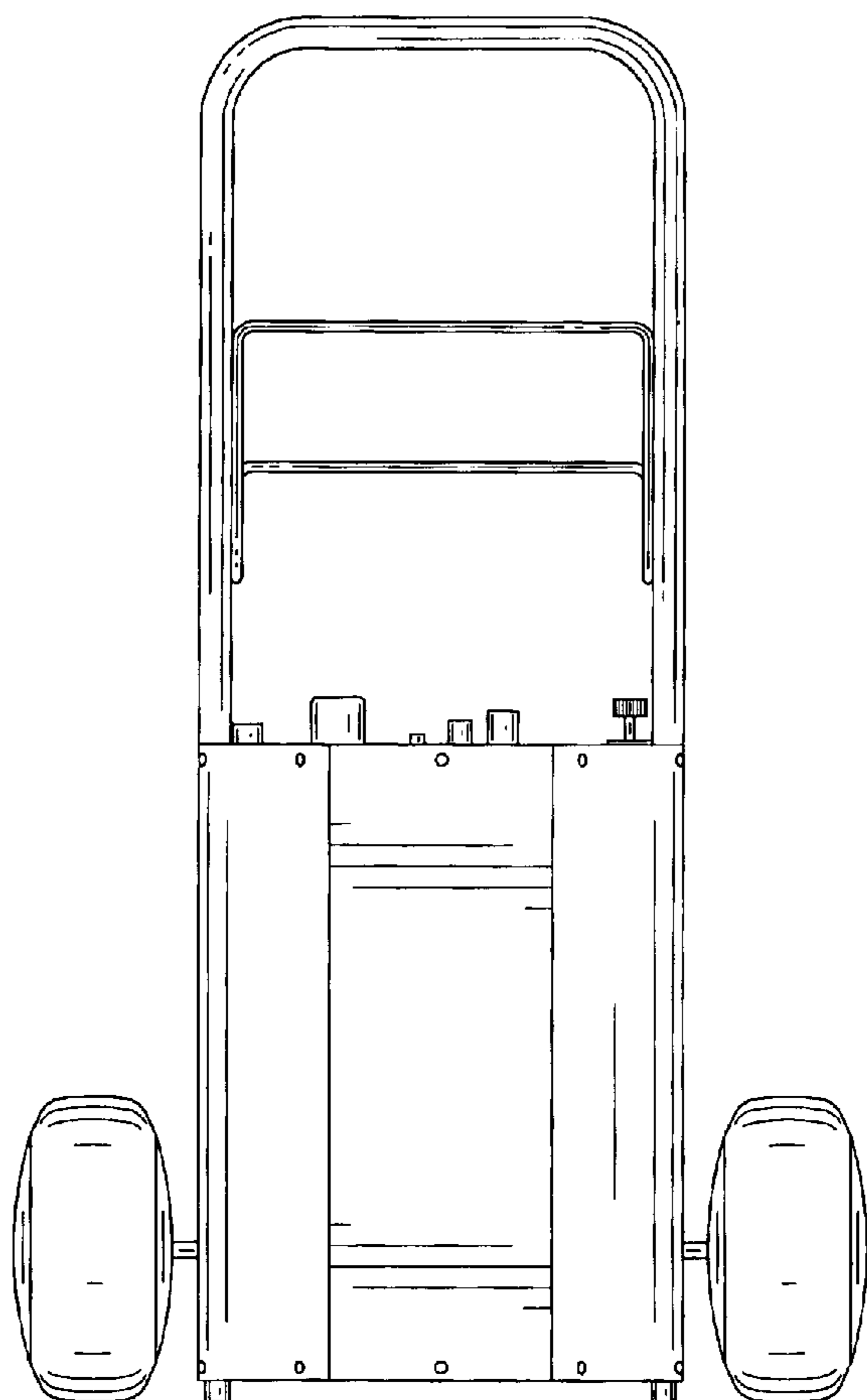
(57) **CLAIM**

The ornamental design for tube cleaning machine, substantially as shown and described.

DESCRIPTION

FIG. 1 is a front elevation view of tube cleaning machine, showing my new design;
FIG. 2 is a rear elevation view thereof;
FIG. 3 is a right side elevation view thereof;
FIG. 4 is a left side elevation view thereof;
FIG. 5 is a top view thereof; and,
FIG. 6 is a bottom view thereof.

1 Claim, 4 Drawing Sheets



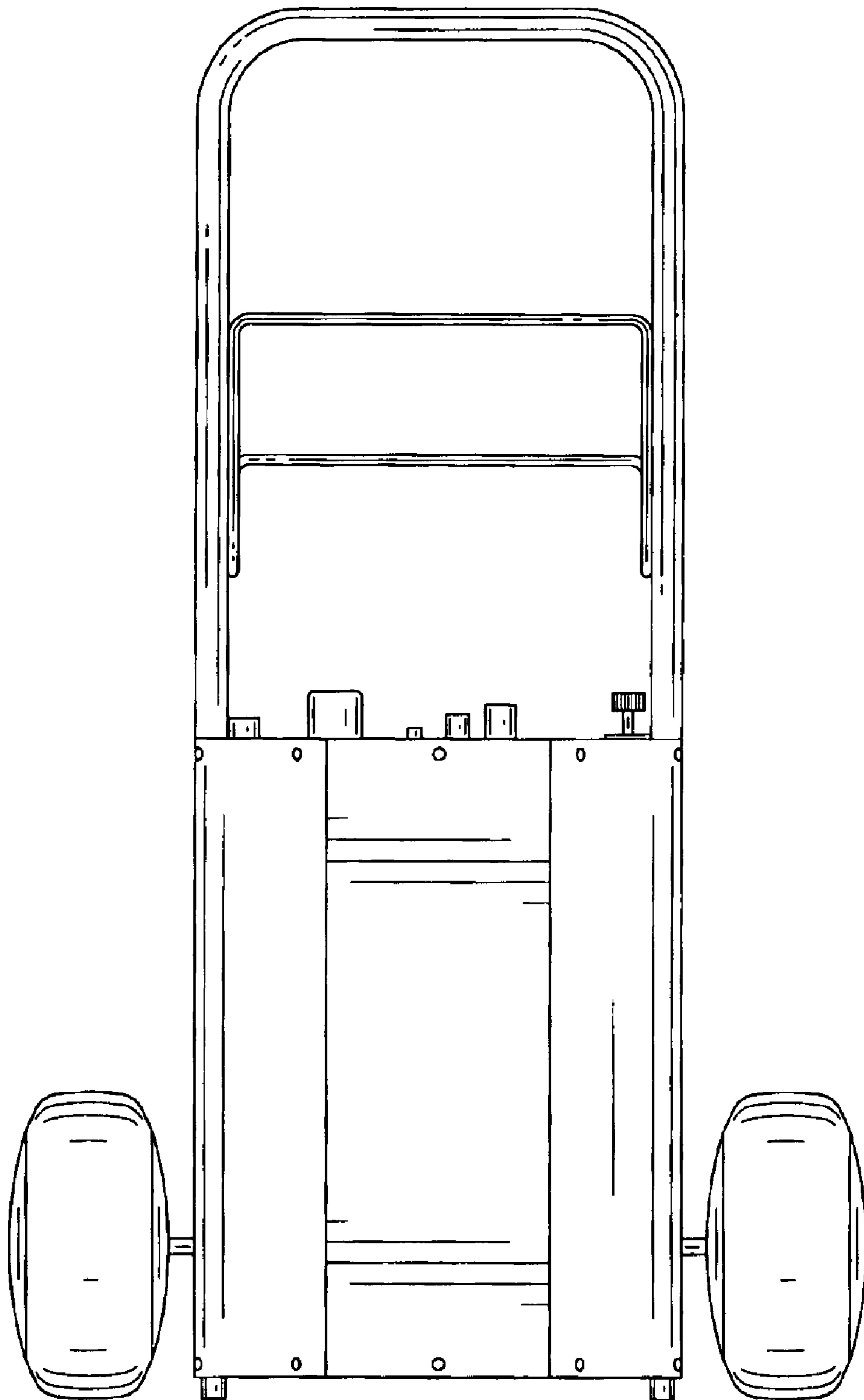


FIG. 1

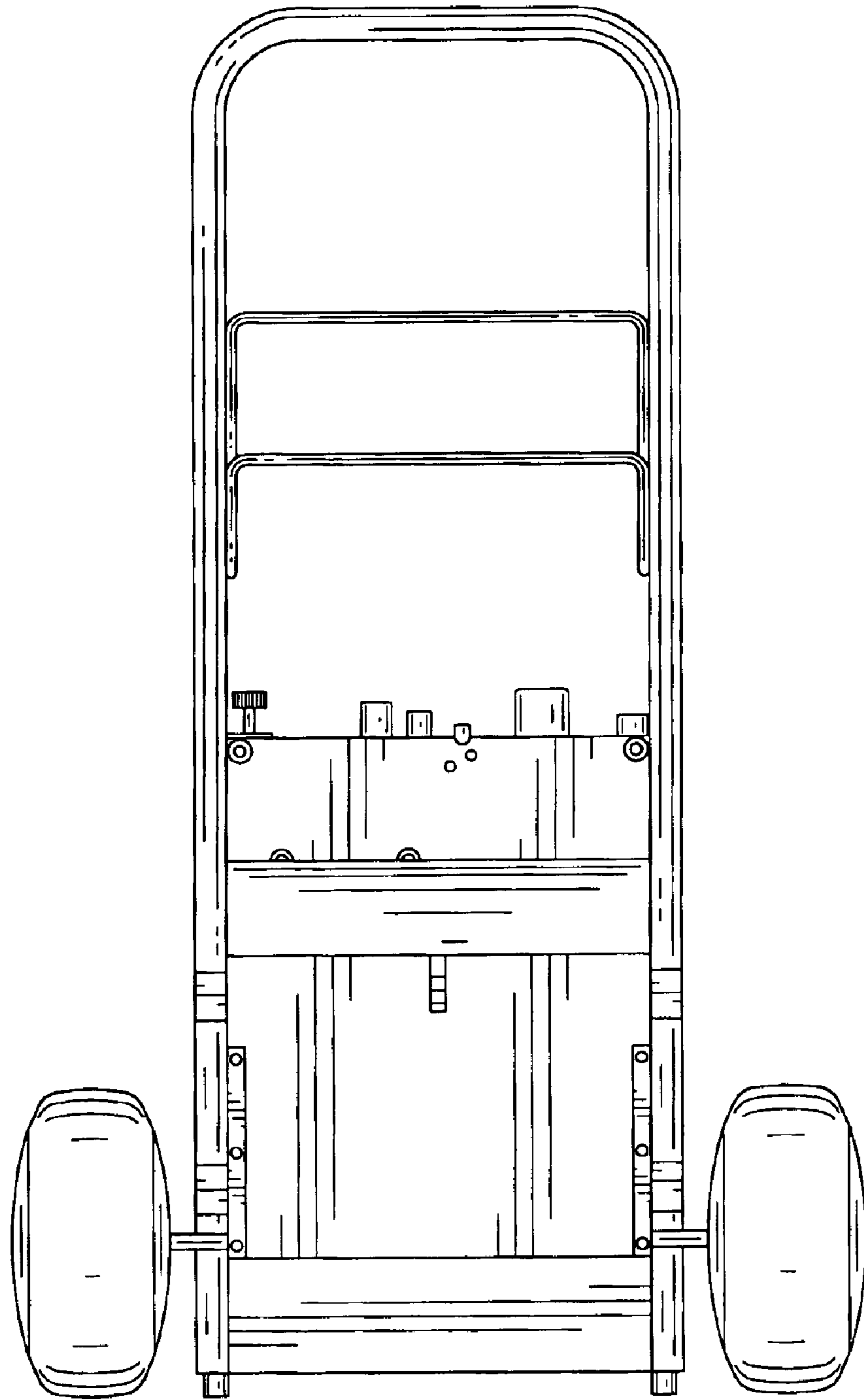


FIG. 2

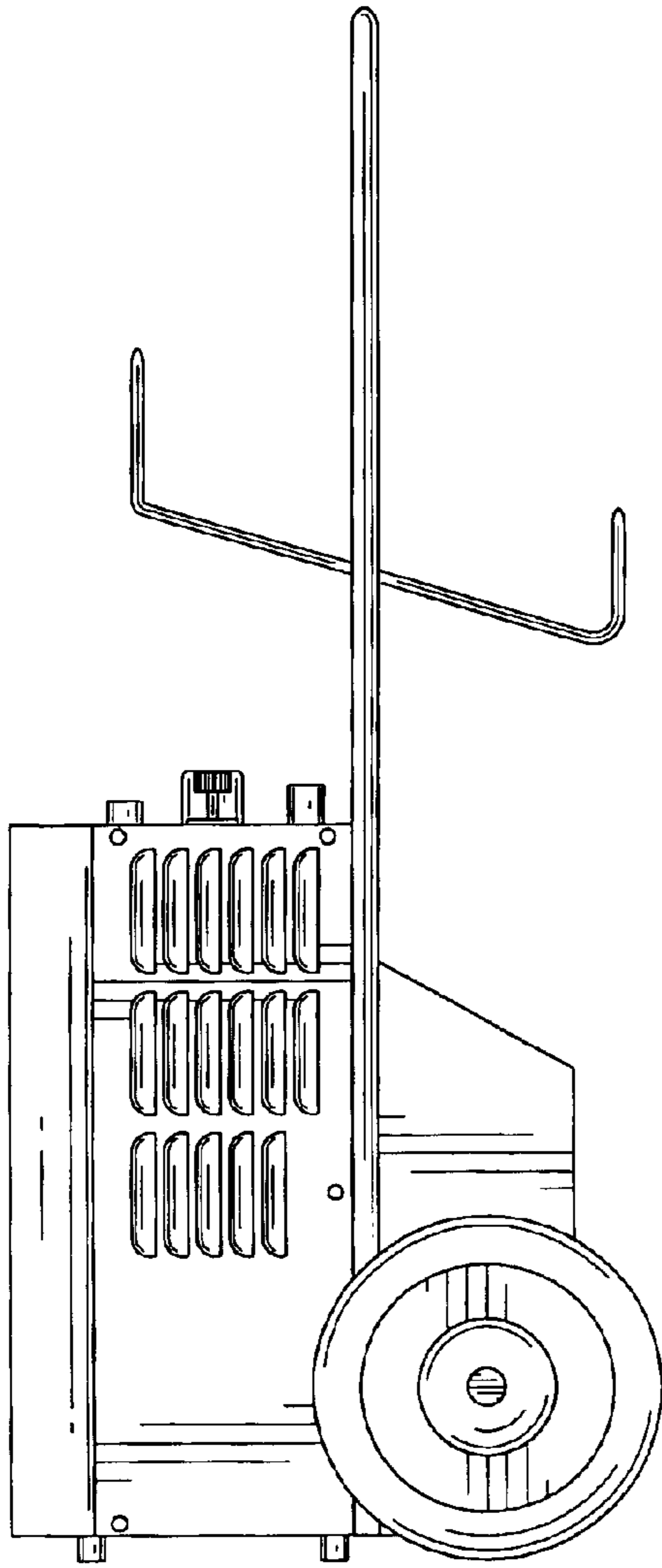


FIG. 3

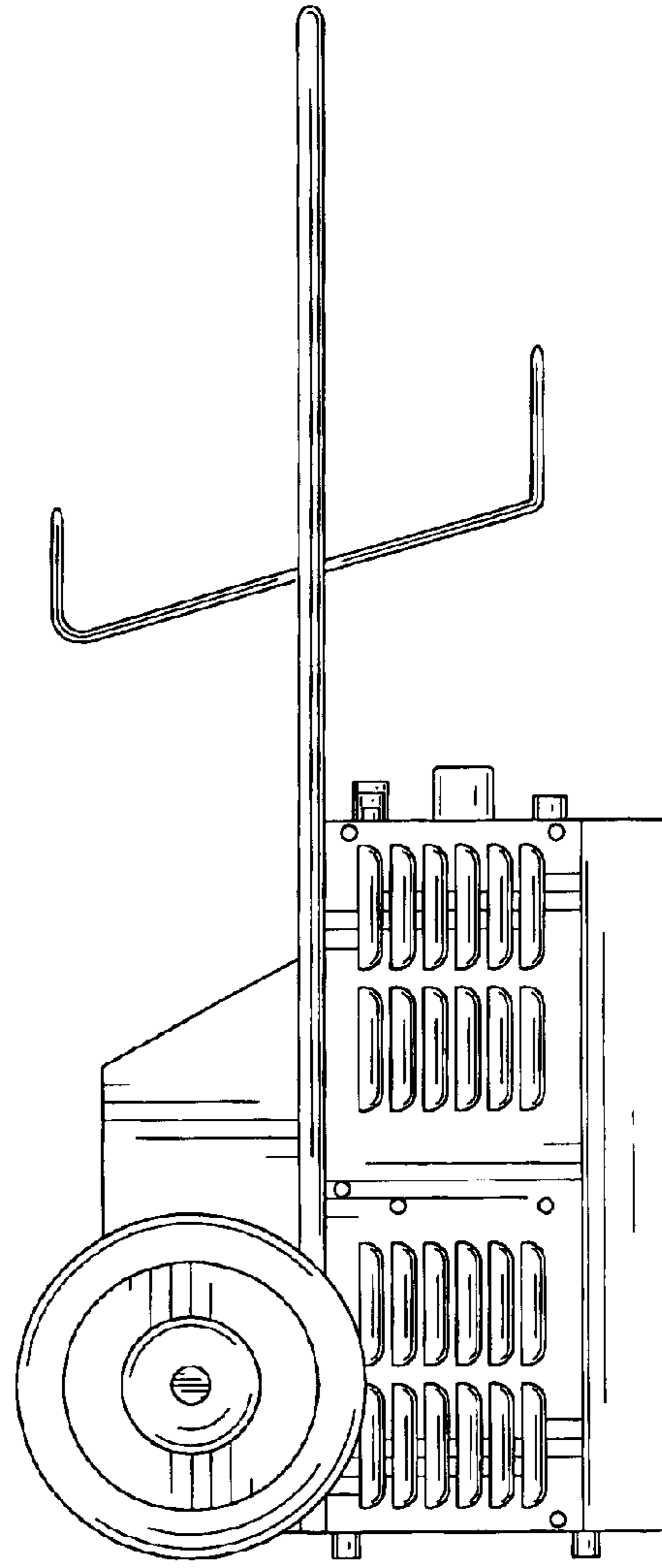


FIG. 4

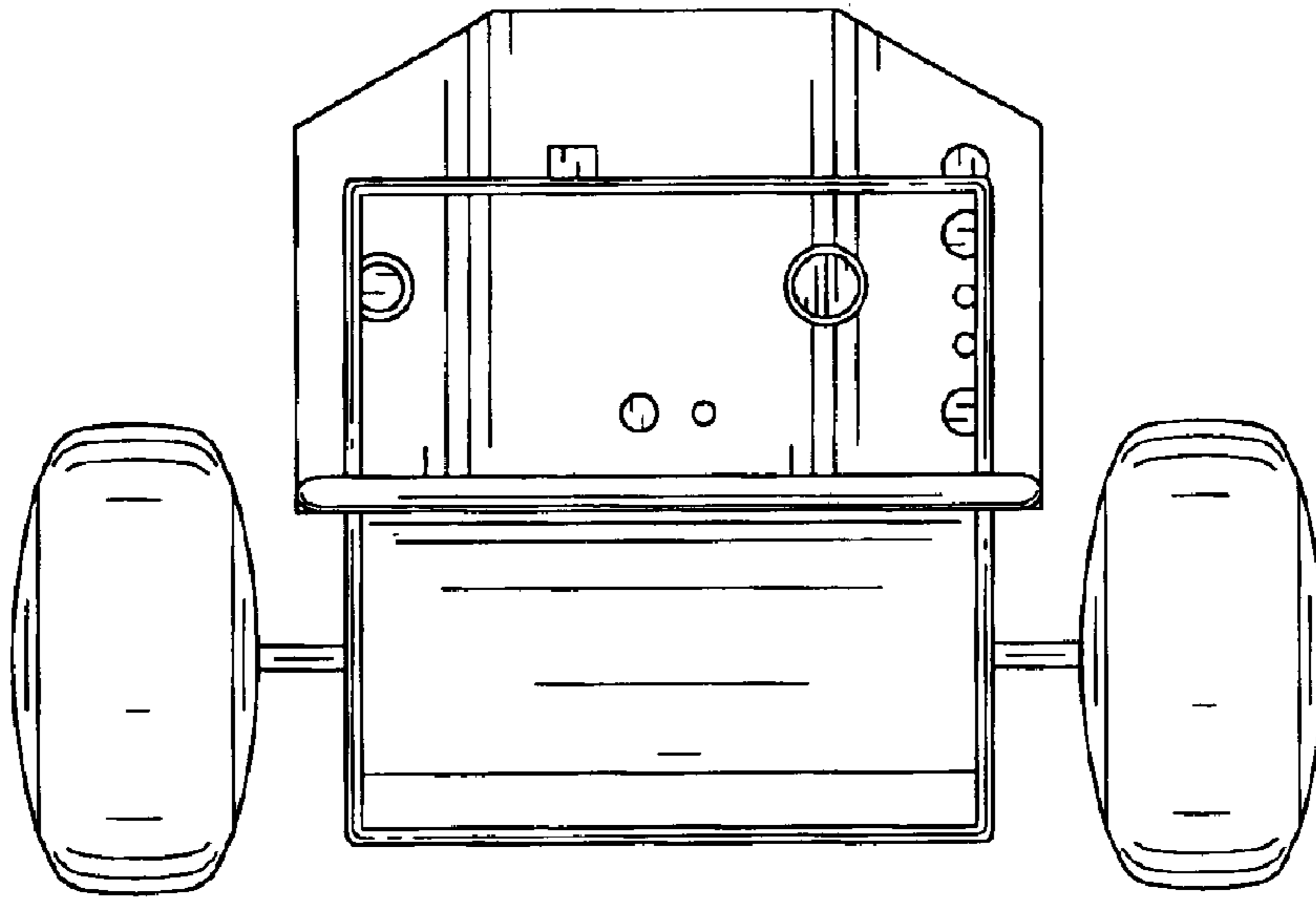


FIG. 5

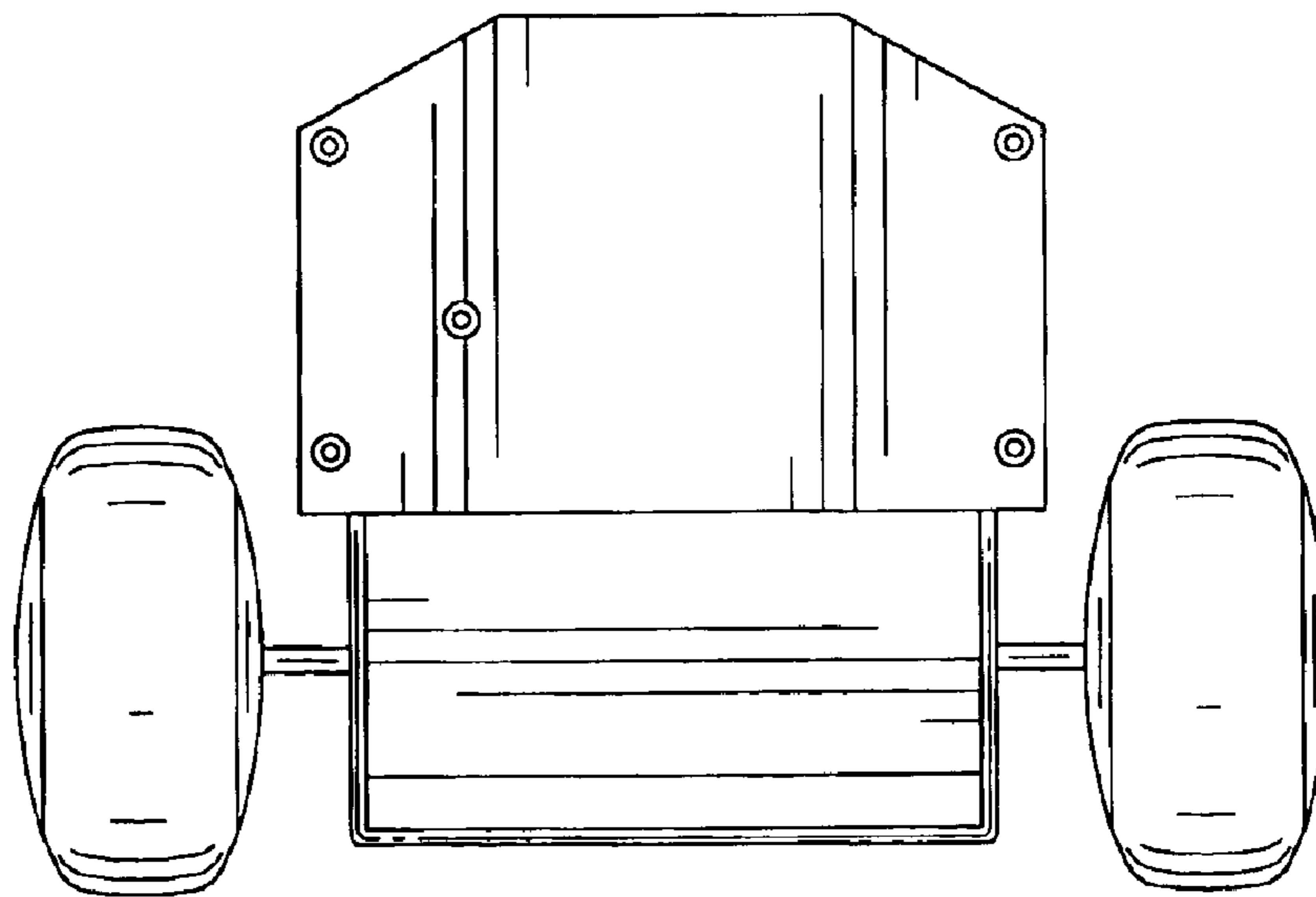


FIG. 6