



US00D518606S

(12) **United States Design Patent**
Cross

(10) **Patent No.:** **US D518,606 S**

(45) **Date of Patent:** **** Apr. 4, 2006**

(54) **ANIMAL FECES MARKER**

(76) **Inventor:** **Marvin G. Cross**, 1161 Santa Madera,
Chula Vista, CA (US) 91913

(**) **Term:** **14 Years**

(21) **Appl. No.:** **29/218,704**

(22) **Filed:** **Dec. 6, 2004**

(51) **LOC (8) Cl.** **30-99**

(52) **U.S. Cl.** **D30/199; D21/718**

(58) **Field of Classification Search** D30/154-155,
D30/161-162, 199; D6/403; D8/391, 393,
D8/388; D1/222; D19/65; D21/717-718,
D21/840; D24/145; 16/4; 40/301, 669; 47/47;
119/655, 769, 788; 135/118; 248/508; 411/477,
411/484; 473/387-407

See application file for complete search history.

(56) **References Cited**

U.S. PATENT DOCUMENTS

D22,653	S	*	8/1893	McGill	D19/65
519,810	A	*	5/1894	Floyd	411/452
1,678,473	A	*	7/1928	Karst	411/477
D245,757	S	*	9/1977	Fisher et al.	D8/391
D275,555	S	*	9/1984	Giggey	D8/388

D324,649	S	*	3/1992	Lederhaus, Jr.	D8/391
D325,870	S	*	5/1992	Niles	D8/388
5,176,354	A	*	1/1993	Feigenbaum, Jr.	248/508
D366,113	S	*	1/1996	Morgan	D24/145
5,524,309	A	*	6/1996	La Barbera	135/118
D462,257	S	*	9/2002	Alexander	D8/391

* cited by examiner

Primary Examiner—Cathy Anne MacCormac

(74) *Attorney, Agent, or Firm*—Charles C. Logan, II

(57) **CLAIM**

I claim the ornamental design for an animal feces marker, as shown and described.

DESCRIPTION

FIG. 1 is an enlarged front perspective view of the novel animal feces marker;

FIG. 2 is an enlarged bottom perspective view thereof;

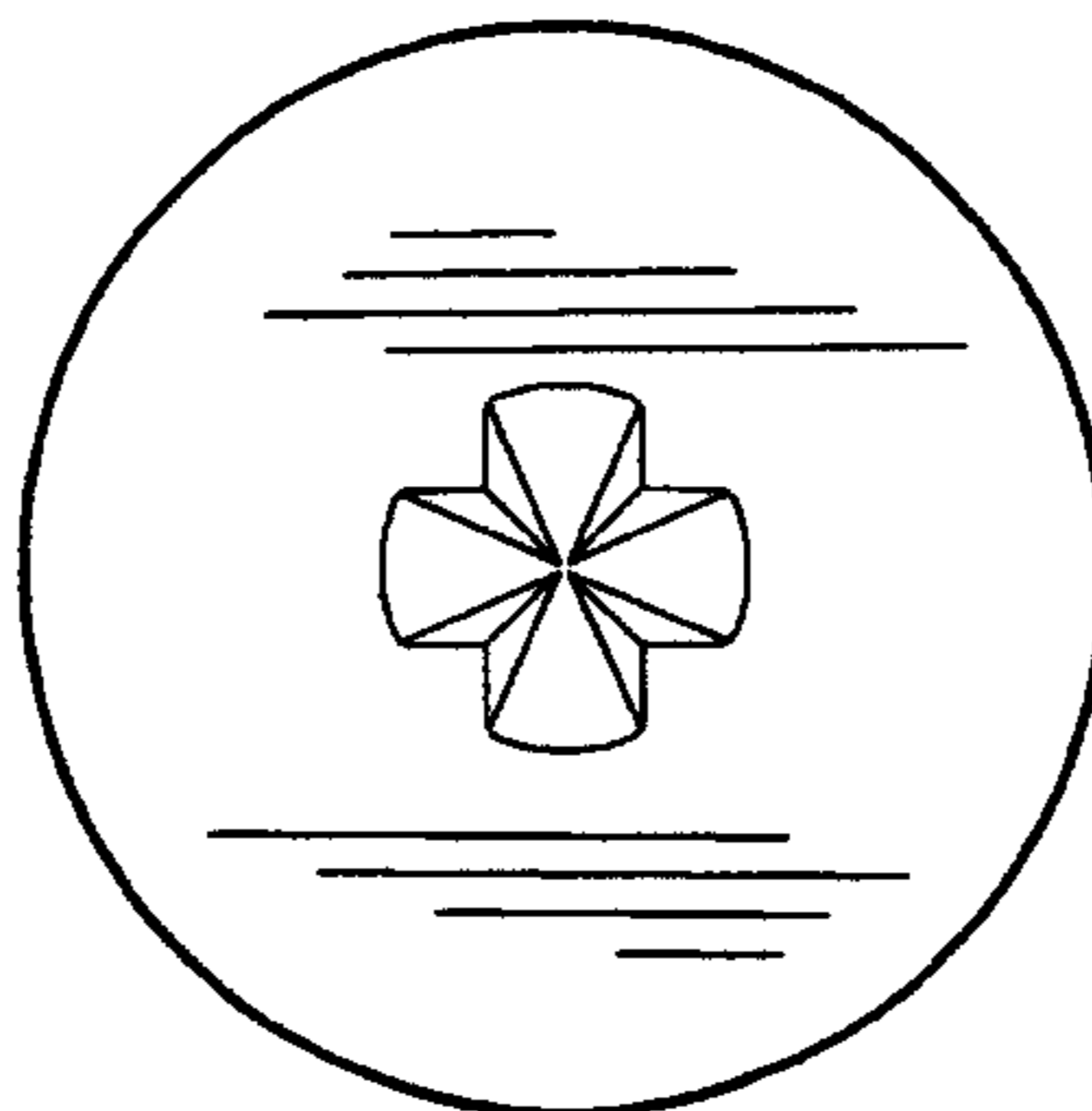
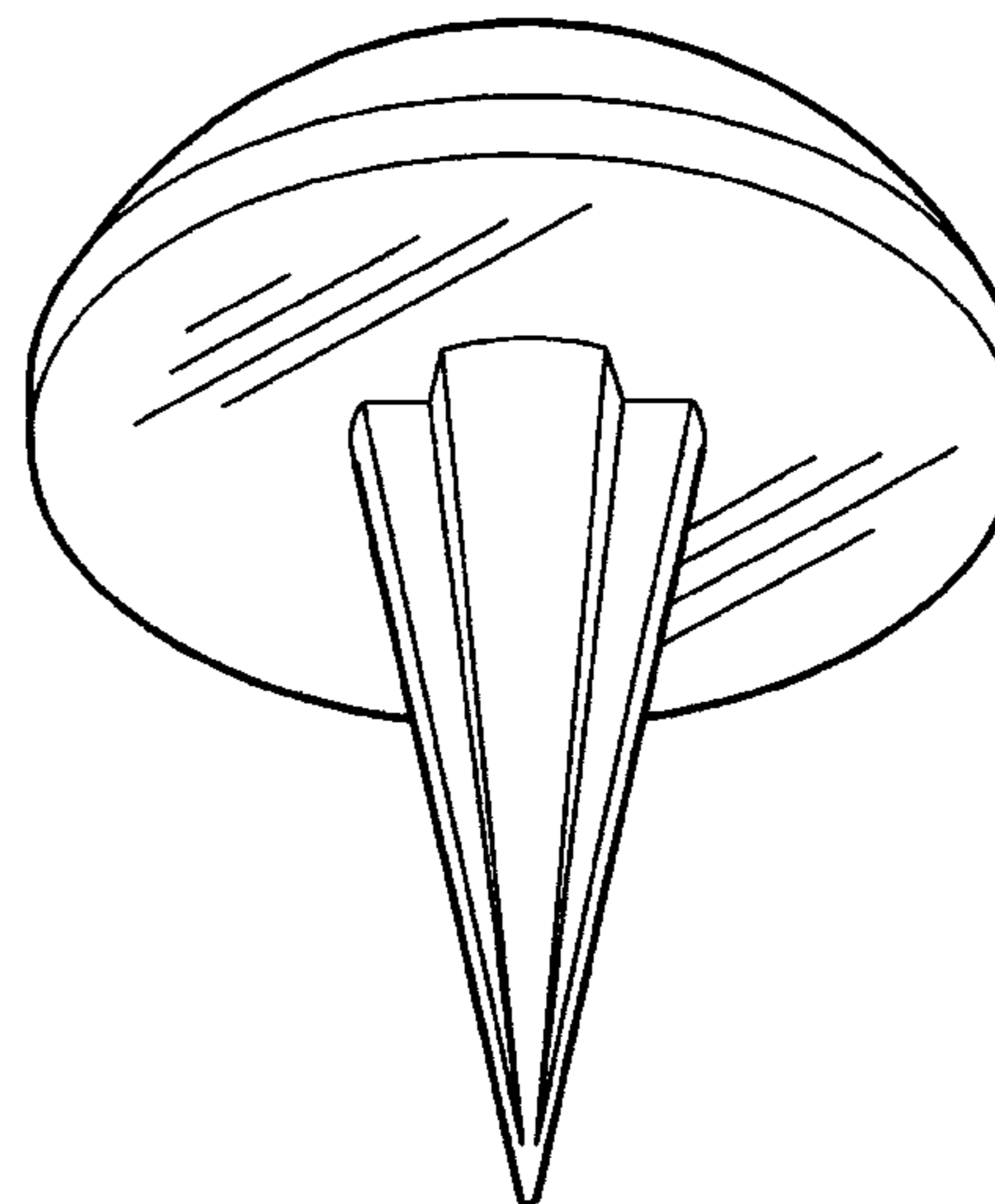
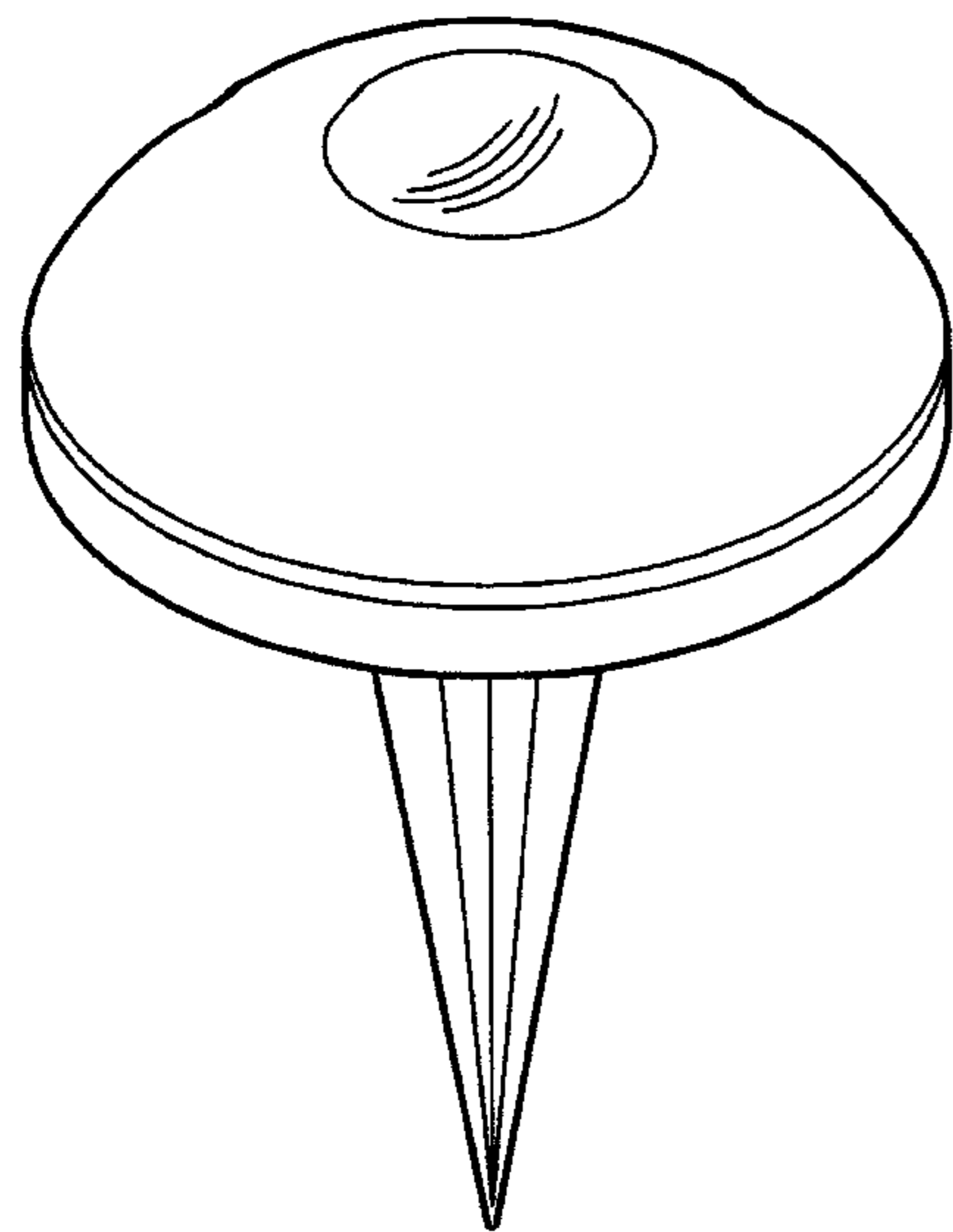
FIG. 3 is a top plan view thereof;

FIG. 4 is a left side elevation view thereof, the right side elevation view is identical;

FIG. 5 is a front elevation view thereof, the rear elevation view is identical; and,

FIG. 6 is a bottom plan view thereof.

1 Claim, 2 Drawing Sheets



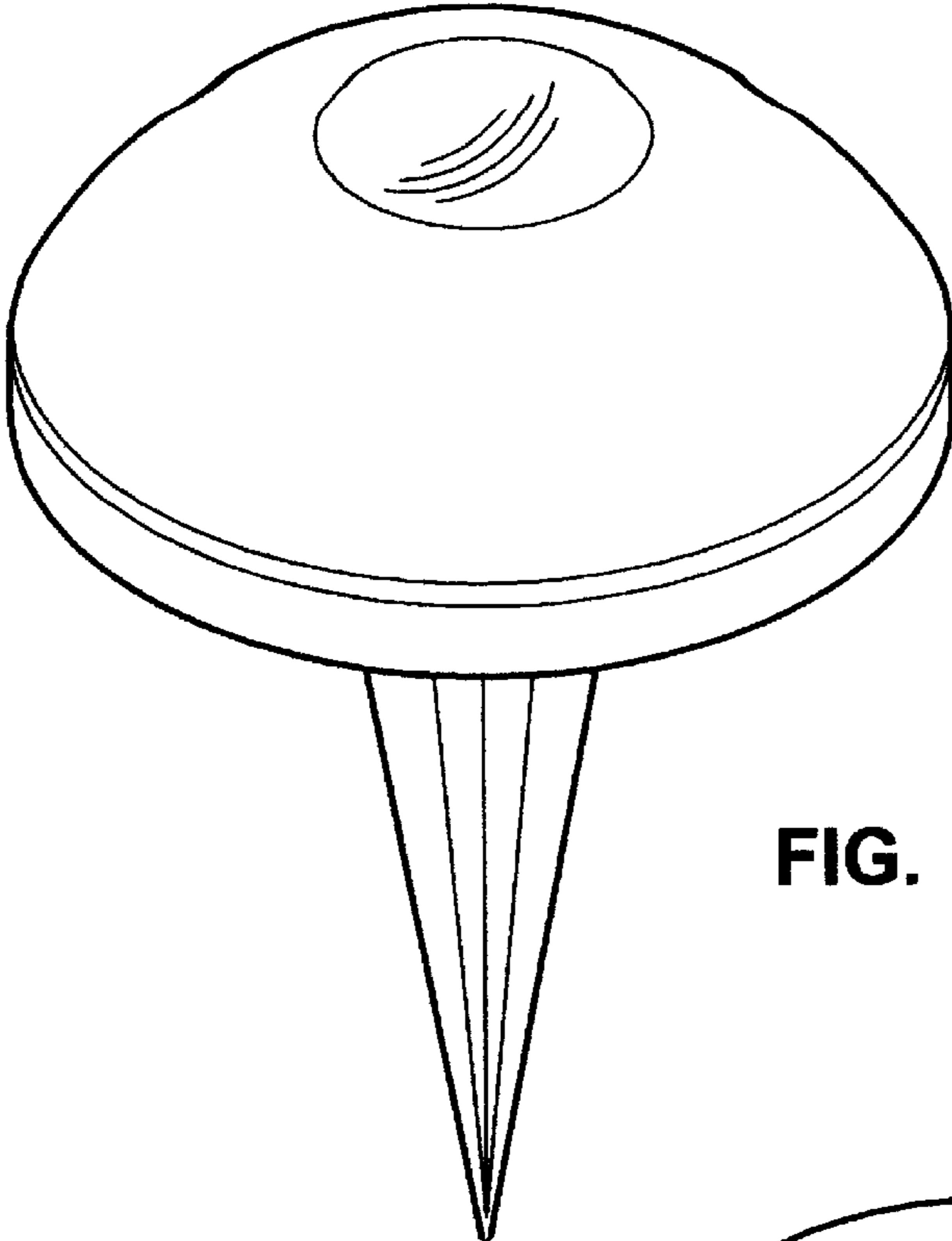


FIG. 1

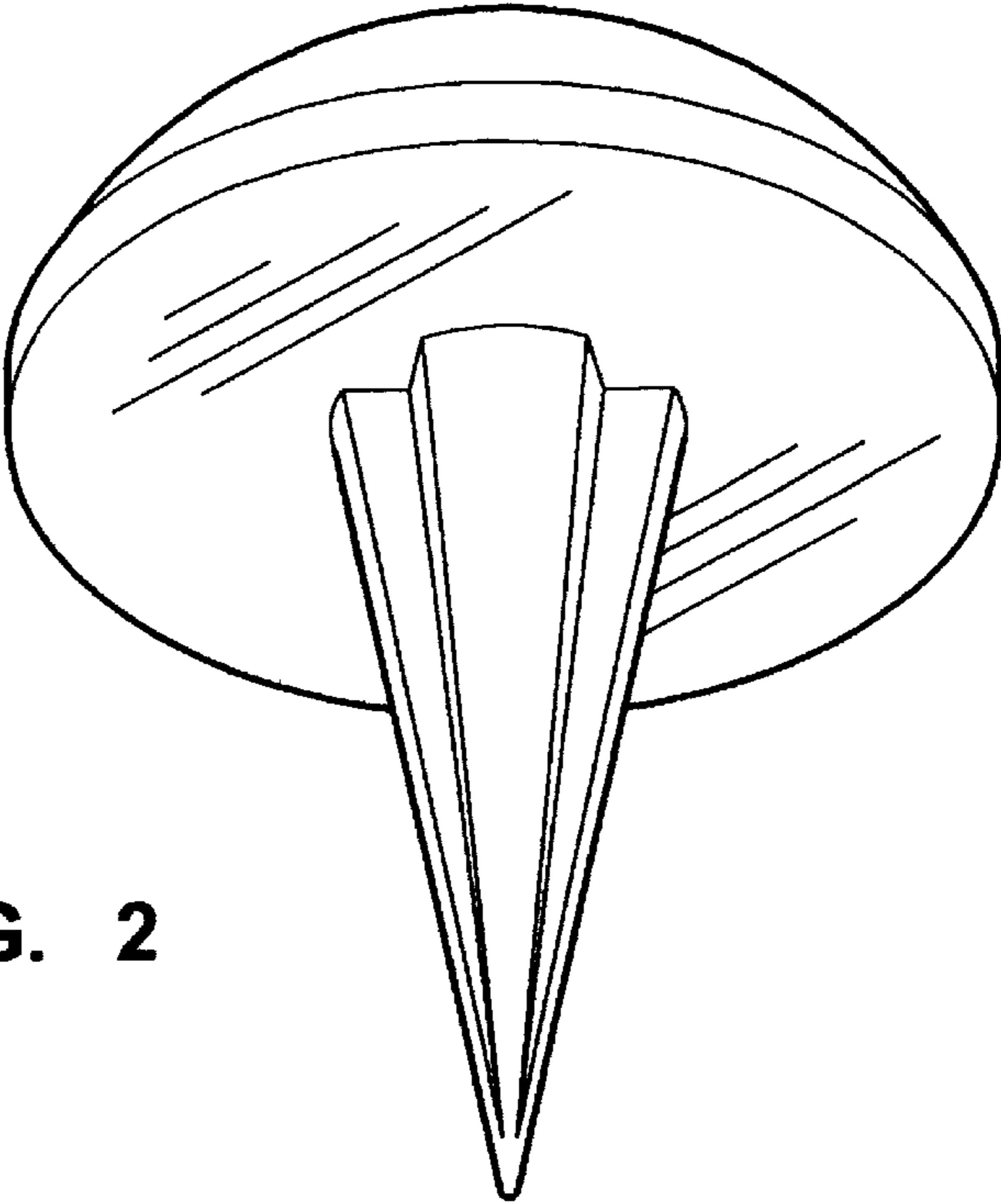


FIG. 2

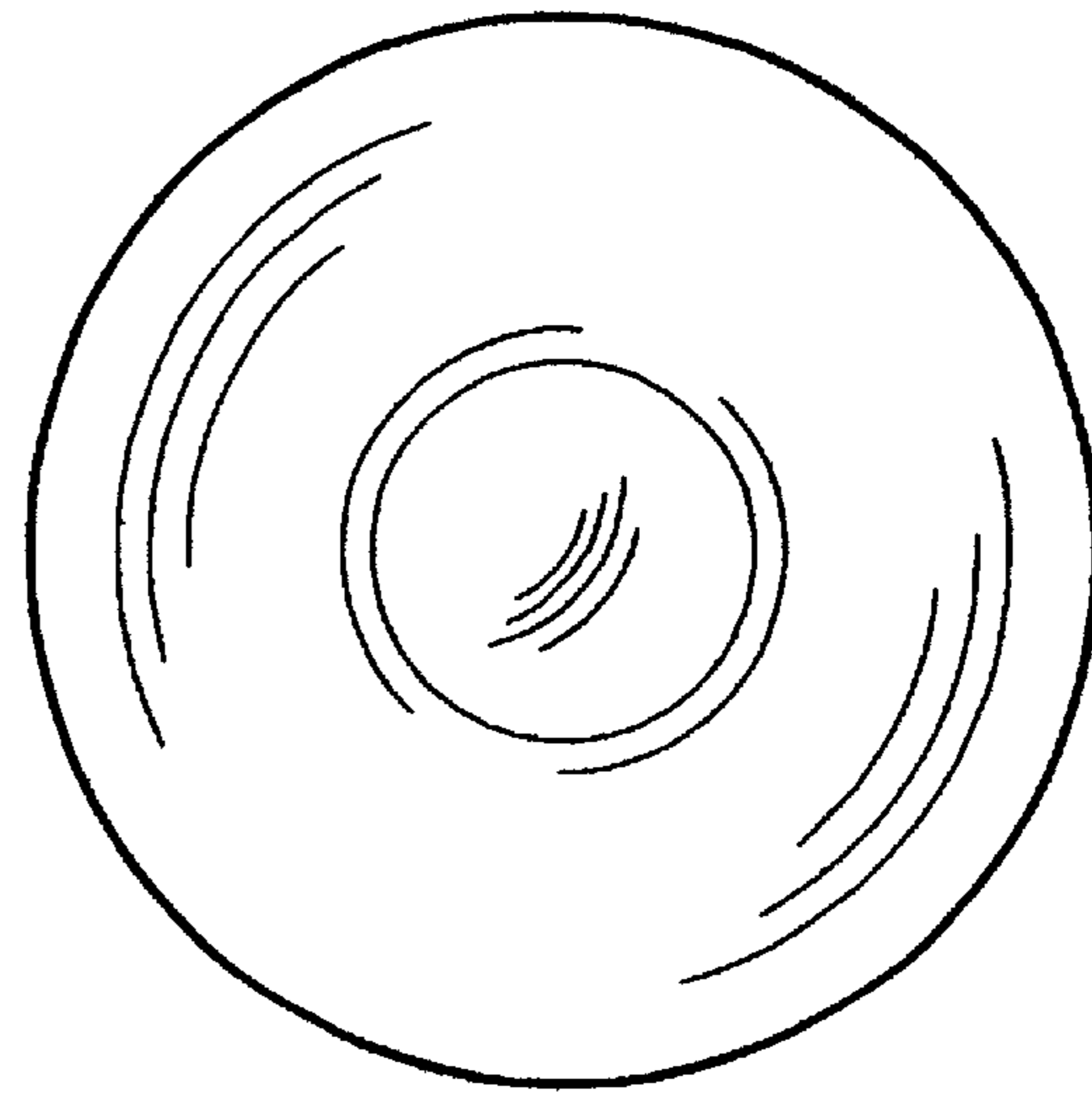


FIG. 3

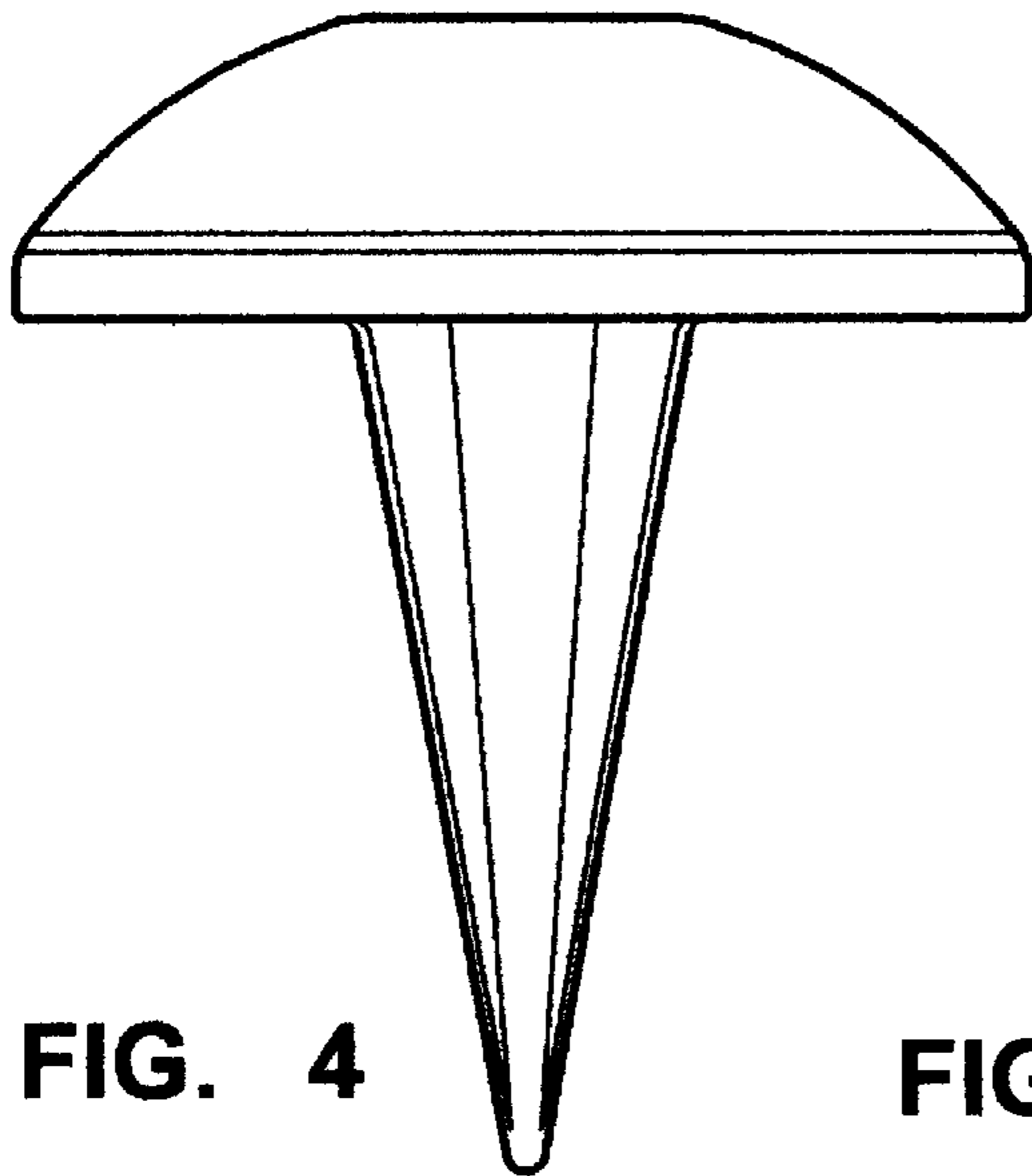


FIG. 4

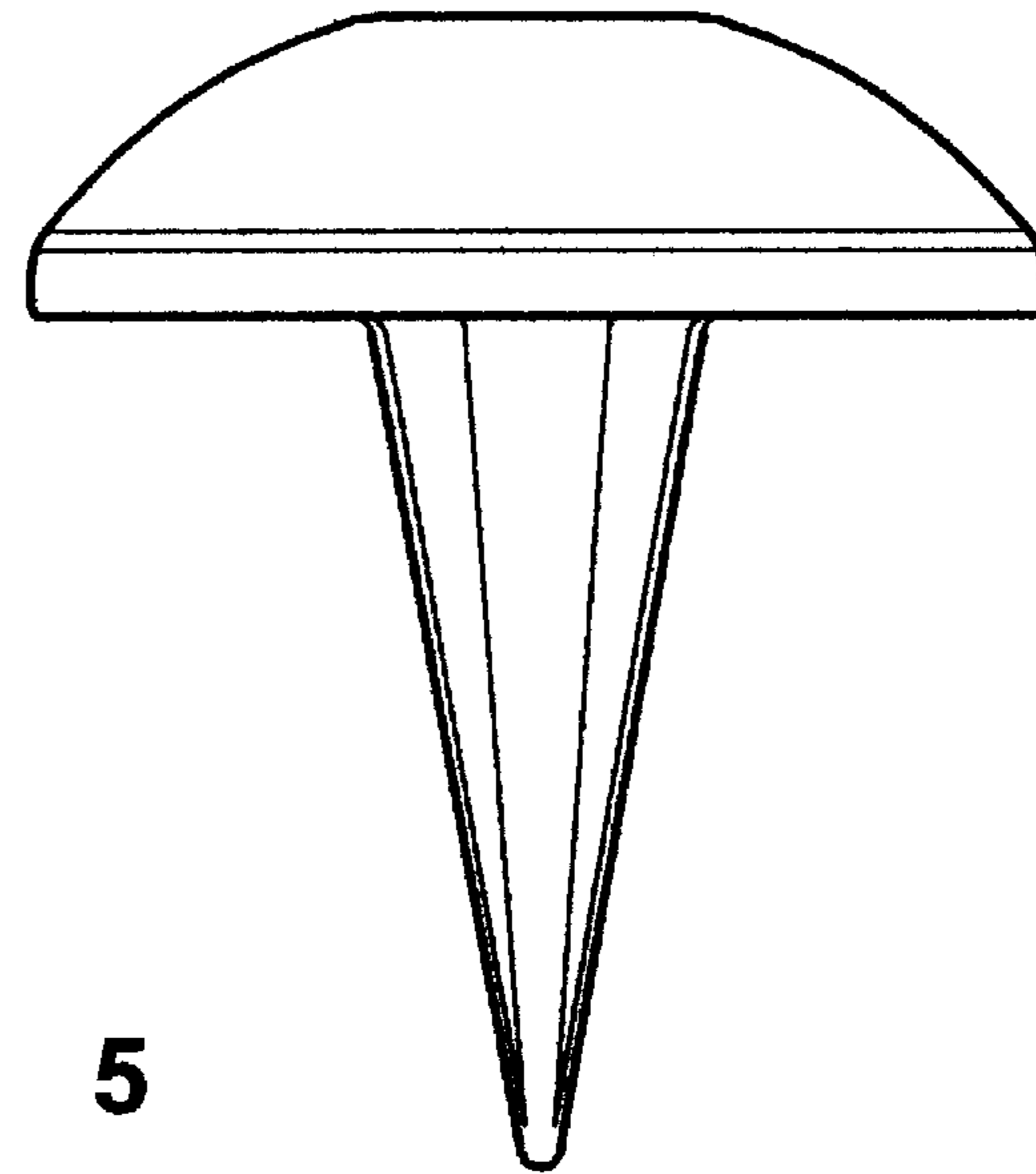


FIG. 5

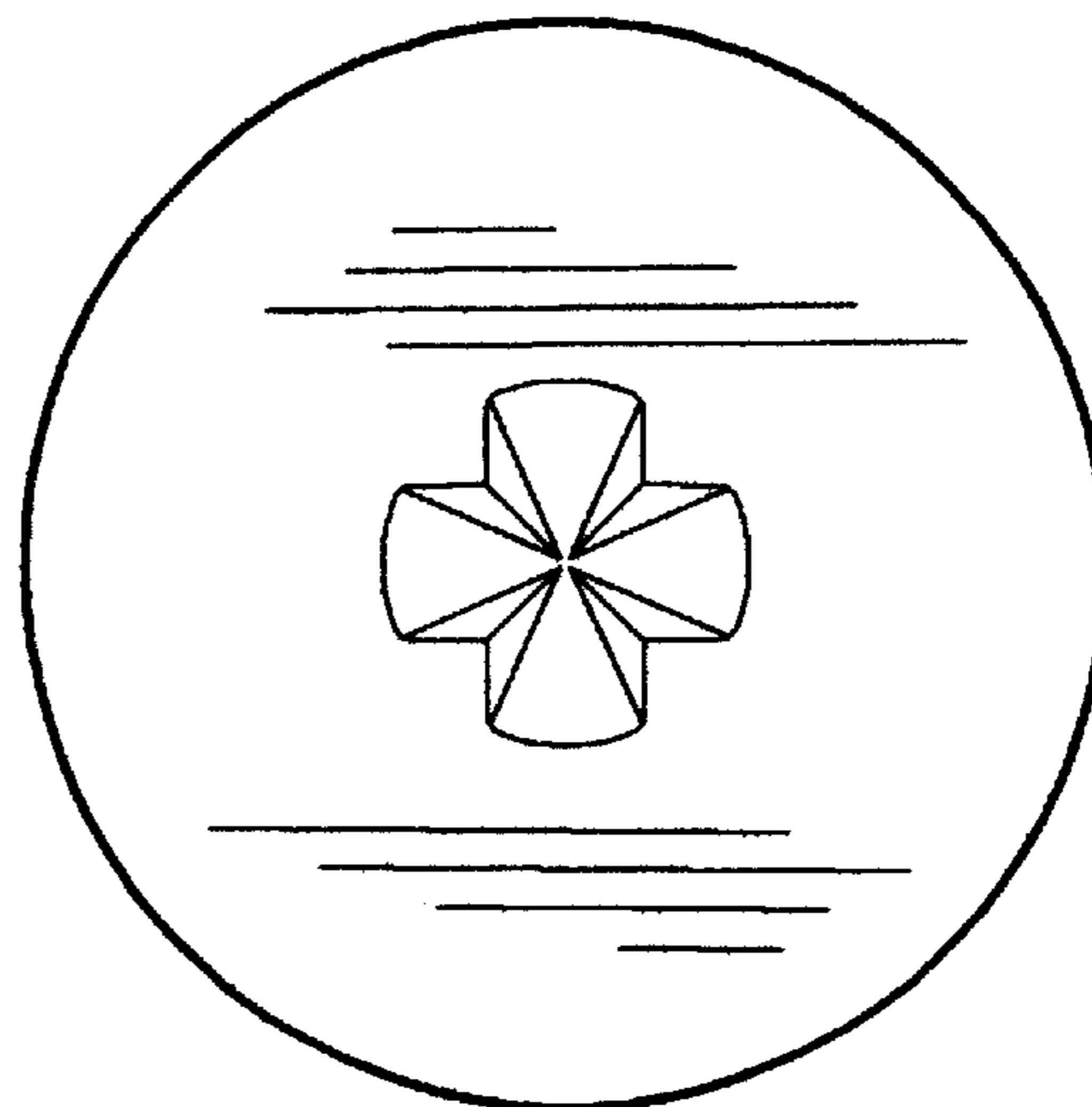


FIG. 6