



US00D518602S

(12) **United States Design Patent**
Wu

(10) **Patent No.:** **US D518,602 S**

(45) **Date of Patent:** **** Apr. 4, 2006**

(54) **MAKE-UP CASE**

D474,309 S * 5/2003 Shih D28/80

(76) Inventor: **Shang-Wu Wu**, Room 4, 3f., No. 454,
Junping Road, Tainan City (TW)

* cited by examiner

Primary Examiner—Jennifer Rivard

(**) Term: **14 Years**

(74) *Attorney, Agent, or Firm*—Bacon & Thomas PLLC

(21) Appl. No.: **29/218,116**

(57) **CLAIM**

(22) Filed: **Nov. 29, 2004**

The ornamental design for a make-up case, as shown and described.

(51) **LOC (8) Cl.** **28-03**

DESCRIPTION

(52) **U.S. Cl.** **D28/81; D9/606; D11/82**

(58) **Field of Classification Search** D28/76,
D28/77, 78, 79, 81; D3/211; D9/606; D11/82;
132/293–307; 206/581, 823

FIG. 1 is a perspective view of a make-up case showing my new design;

FIG. 2 is a front elevational view thereof;

FIG. 3 is a rear elevational view thereof;

FIG. 4 is a left side elevational view thereof;

FIG. 5 is a right side elevational view thereof;

FIG. 6 is a top plan view thereof;

FIG. 7 is a bottom plan view thereof;

FIG. 8 is an exploded, front perspective view; and,

FIG. 9 is an exploded, rear perspective view.

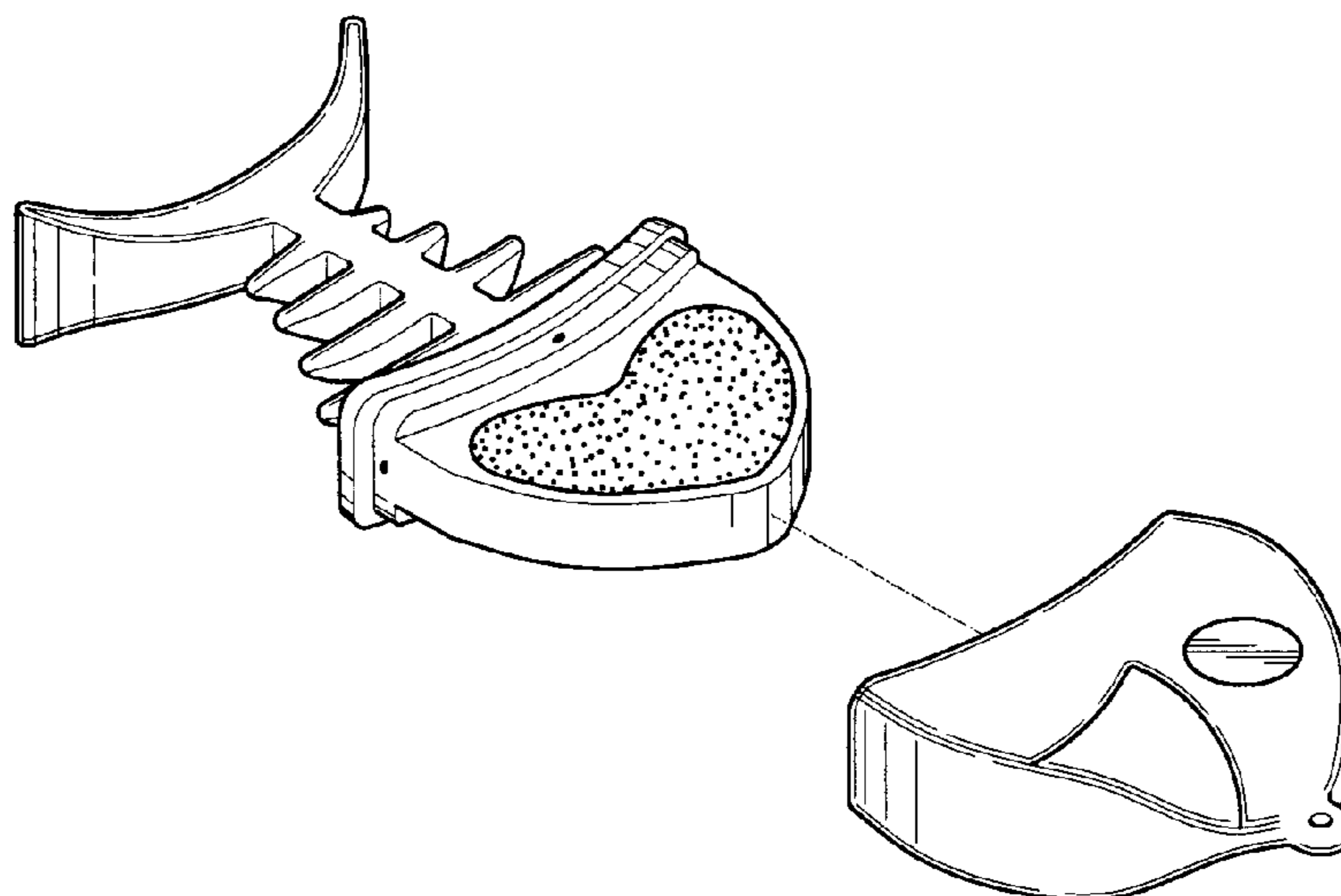
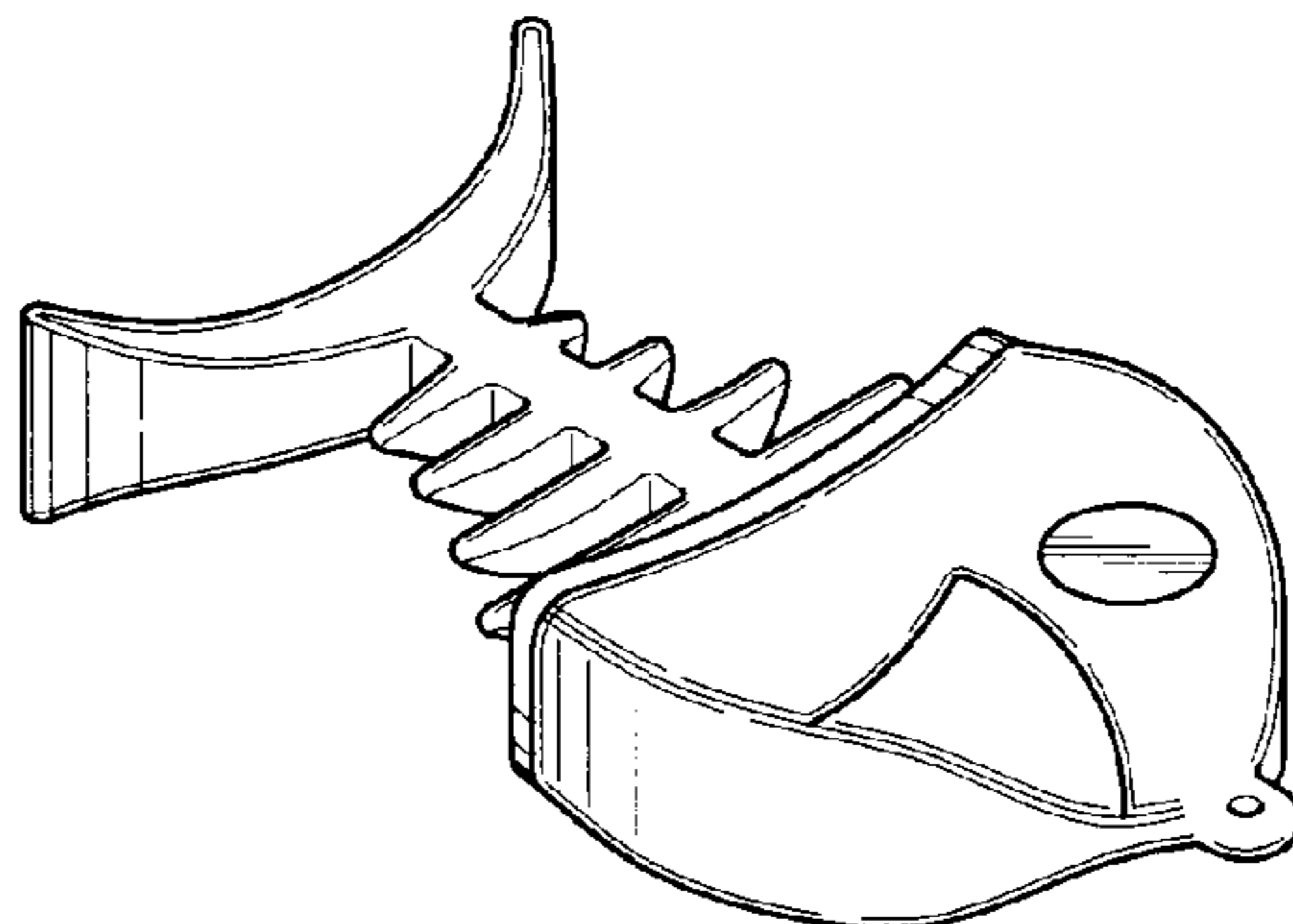
See application file for complete search history.

(56) **References Cited**

U.S. PATENT DOCUMENTS

D200,870 S * 4/1965 Simpson D11/82
D227,230 S * 6/1973 Stamper D9/606
D474,308 S * 5/2003 Shih D28/80

1 Claim, 3 Drawing Sheets



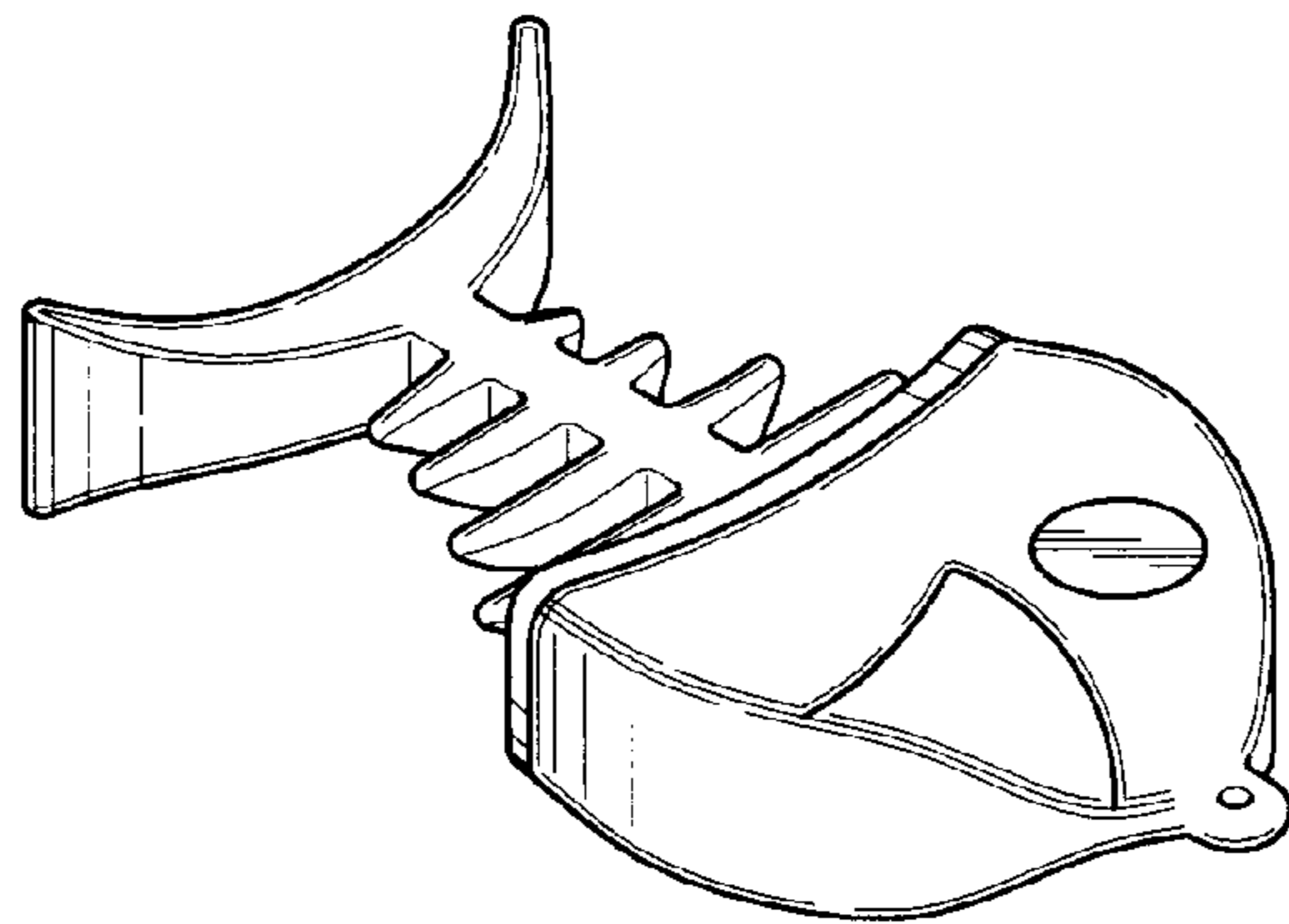


FIG. 1

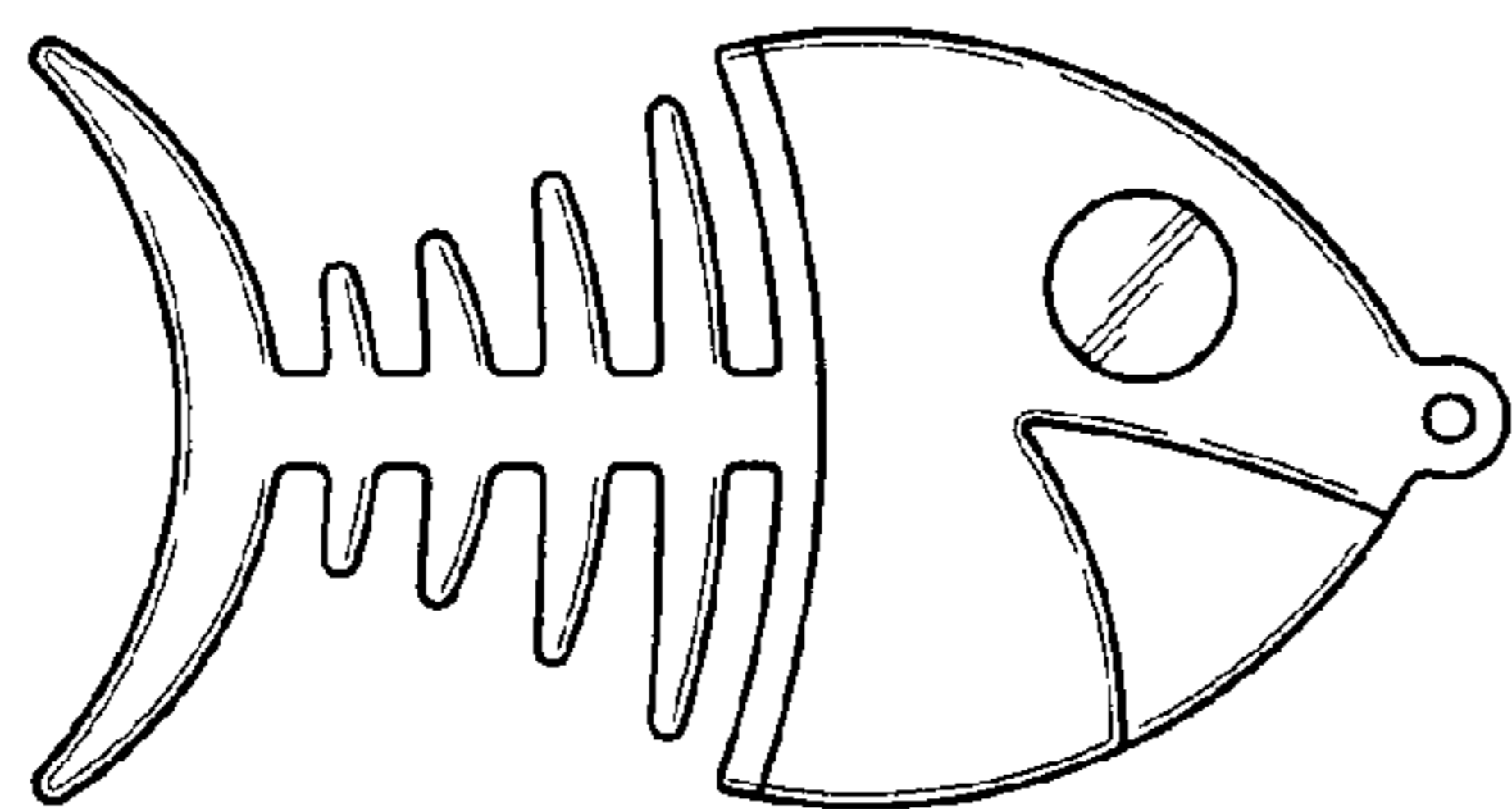


FIG. 2

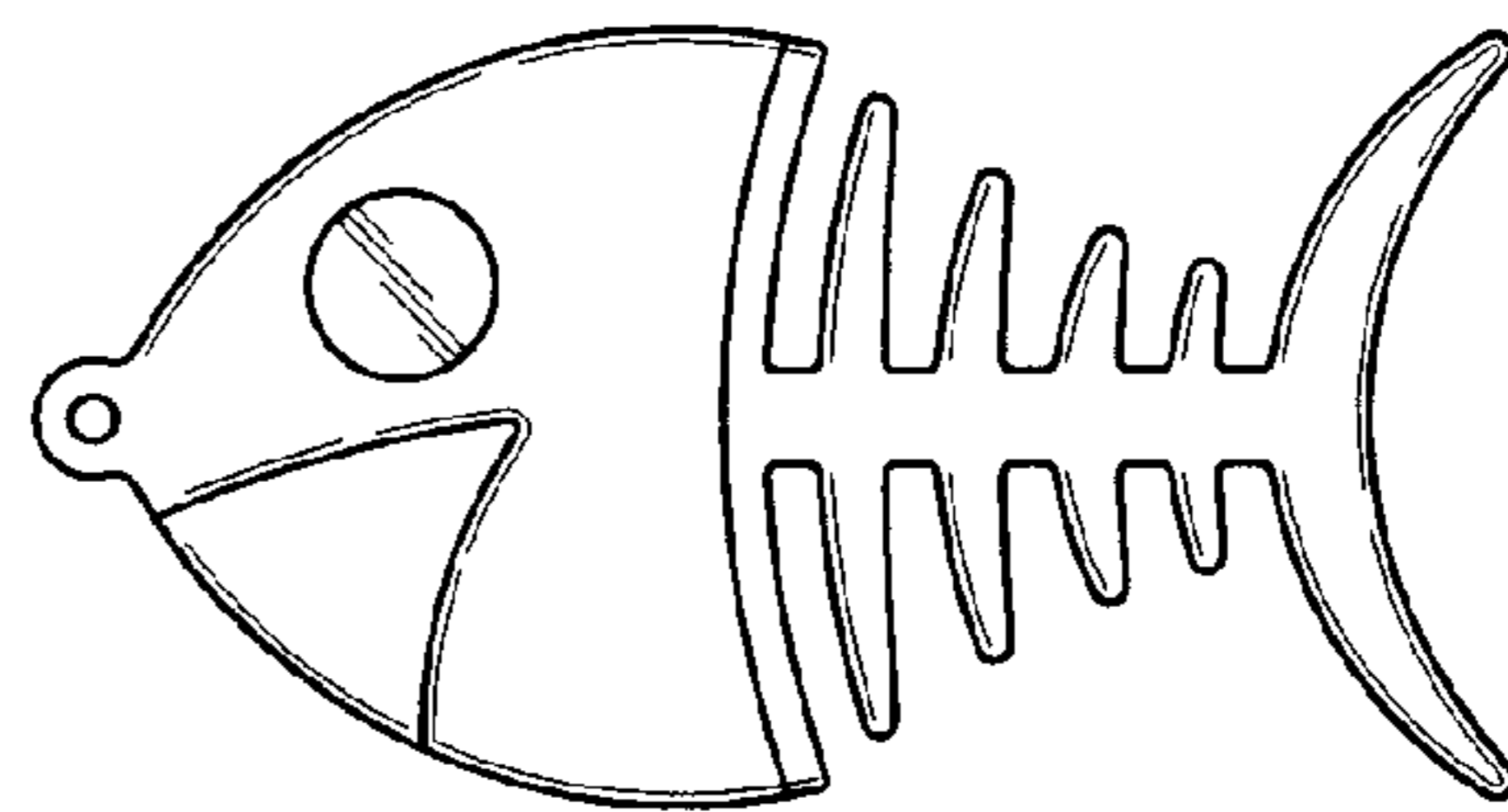


FIG. 3

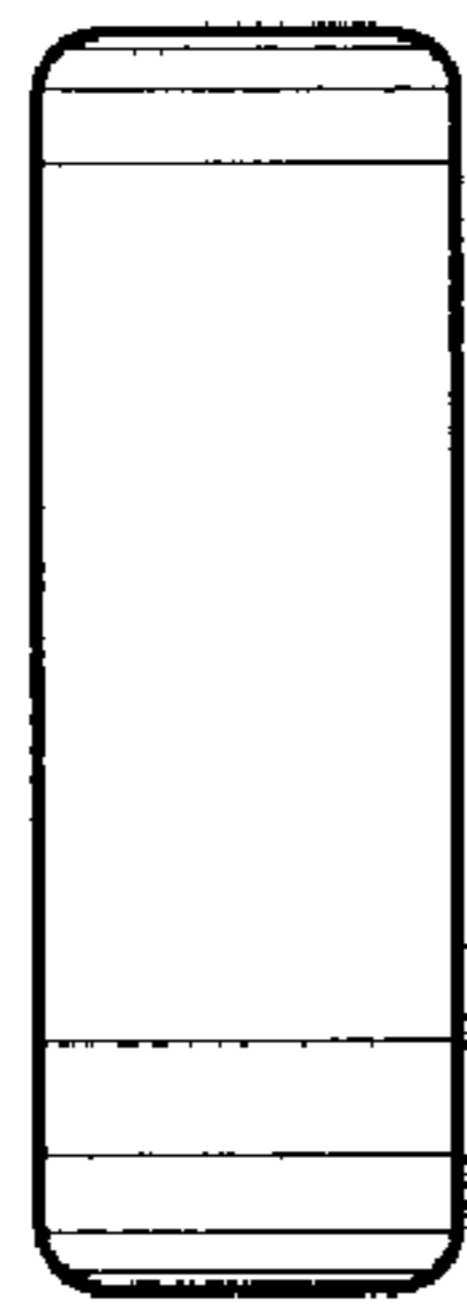


FIG. 4

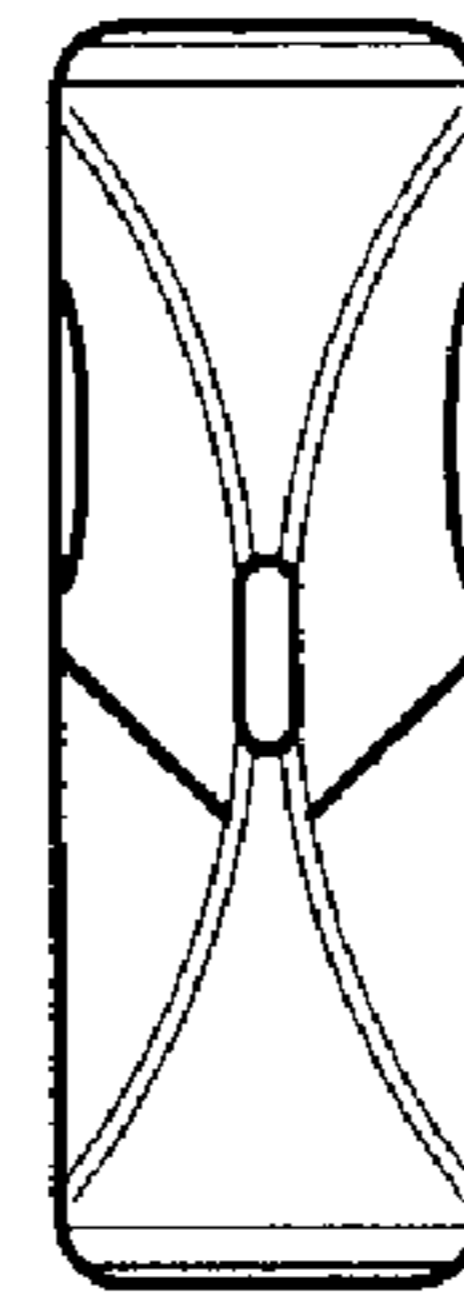


FIG. 5

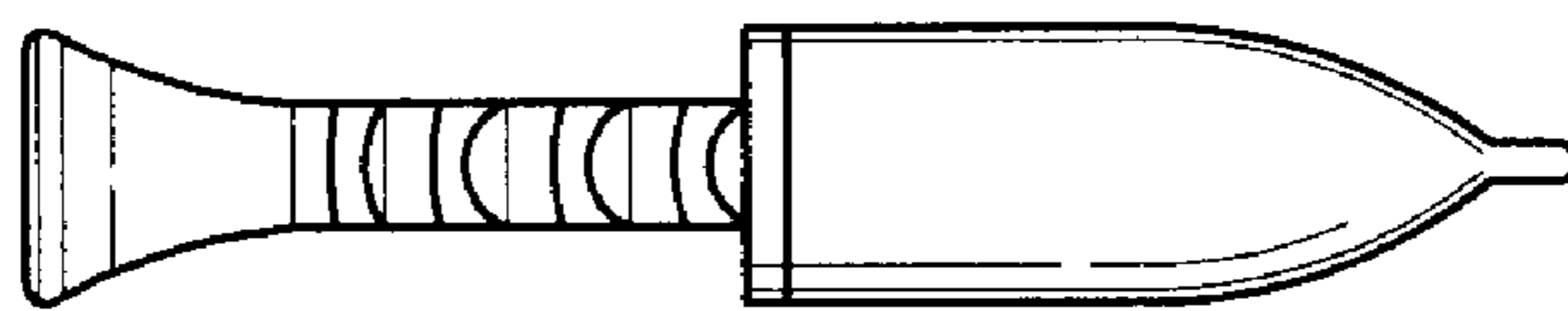


FIG. 6

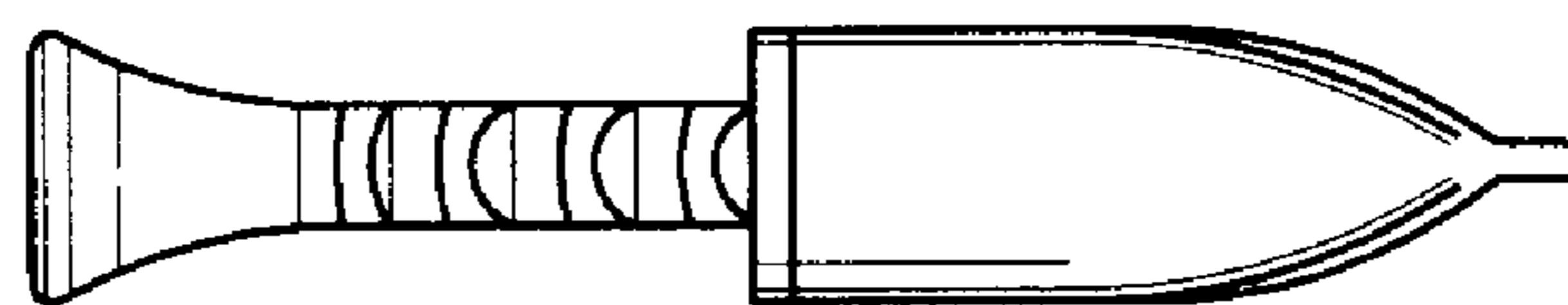


FIG. 7

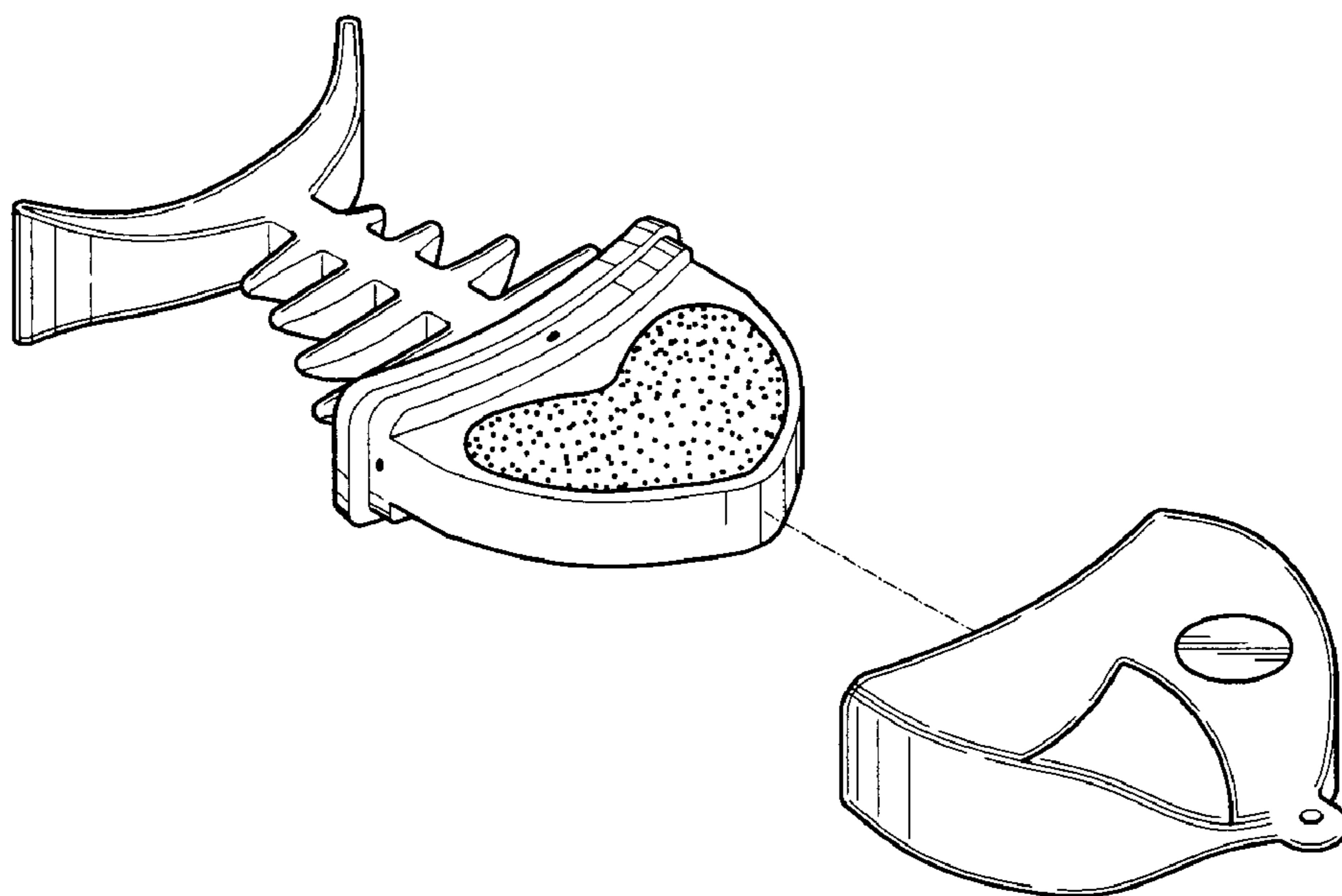


FIG. 8

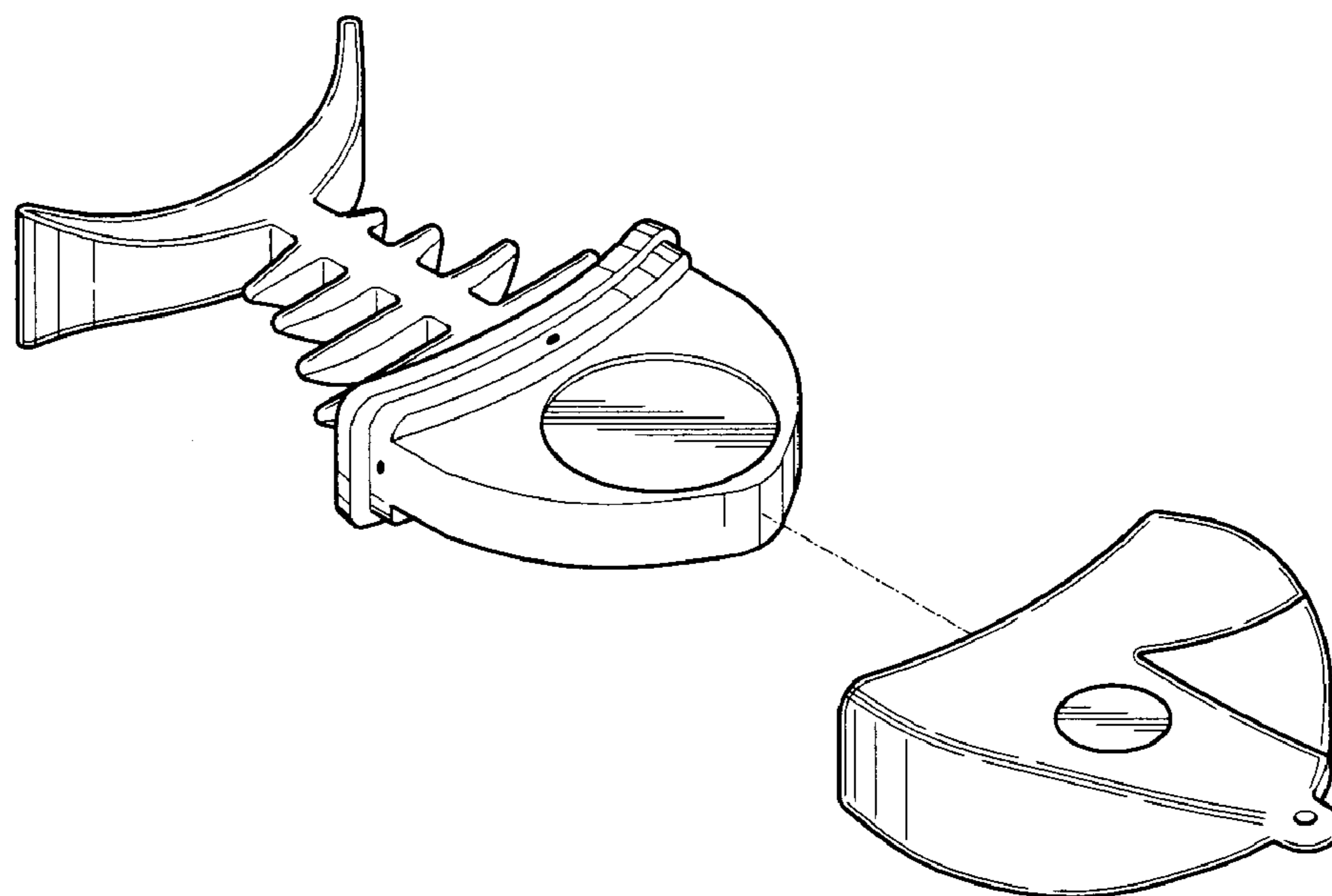


FIG. 9