



US00D518598S

(12) **United States Design Patent**  
**Angeletta**

(10) **Patent No.:** **US D518,598 S**

(45) **Date of Patent:** **\*\* Apr. 4, 2006**

(54) **LIQUID AND LOTION APPLICATOR STRUCTURE**

(76) Inventor: **Joseph G. Angeletta**, 418 Fifth St.,  
Mamaroneck, NY (US) 10543

(\*\*) Term: **14 Years**

(21) Appl. No.: **29/226,826**

(22) Filed: **Apr. 1, 2005**

**Related U.S. Application Data**

(62) Division of application No. 29/187,917, filed on Aug. 8, 2003.

(51) **LOC (8) Cl.** ..... **28-02**

(52) **U.S. Cl.** ..... **D28/7**

(58) **Field of Classification Search** ..... D28/7,  
D28/63; D24/119; D4/114, 137, 138, 116;  
D32/45, 51; 132/320, 317; 401/6, 187, 202-207,  
401/261-266, 196, 139; 15/244.1, 104.94,  
15/209.1, 210.1, 14

See application file for complete search history.

(56) **References Cited**

**U.S. PATENT DOCUMENTS**

D250,229 S	*	11/1978	Werner	.....	D4/127
D310,754 S	*	9/1990	Gingras	.....	D4/138
D313,553 S	*	1/1991	Lewis, Jr.	.....	D28/7
5,322,382 A	*	6/1994	Hull et al.	.....	401/131
5,454,659 A	*	10/1995	Vosbikian et al.	.....	401/207
D388,546 S	*	12/1997	McEntee	.....	D28/63
D392,104 S	*	3/1998	Berti	.....	D4/138
5,875,511 A	*	3/1999	Nejdl	.....	15/176.1
D417,033 S	*	11/1999	Sachs et al.	.....	D28/7

D434,525 S	*	11/2000	Angeletta	.....	D28/7
D445,954 S	*	7/2001	Angeletta	.....	D28/7
D455,272 S	*	4/2002	Zemel	.....	D4/132
D461,279 S	*	8/2002	Angeletta	.....	D28/7
D481,167 S	*	10/2003	Angeletta	.....	D28/7
2001/0034920 A1	*	11/2001	Brown	.....	15/244.1

\* cited by examiner

*Primary Examiner*—Lucy Lieberman

(74) *Attorney, Agent, or Firm*—Scully, Scott, Murphy & Presser

(57) **CLAIM**

The ornamental design for a liquid and lotion applicator structure, as shown and described.

**DESCRIPTION**

FIG. 1 illustrates a side and bottom perspective view of an embodiment of the liquid and lotion applicator structure showing my new and ornamental design;

FIG. 2 illustrates an opposite side and top perspective view thereof;

FIG. 3 illustrates a top plan view thereof;

FIG. 4 illustrates a side view, the opposite side being a mirror image thereof;

FIG. 5 illustrates a bottom plan view thereof;

FIG. 6 illustrates a side and bottom perspective view of a further embodiment thereof;

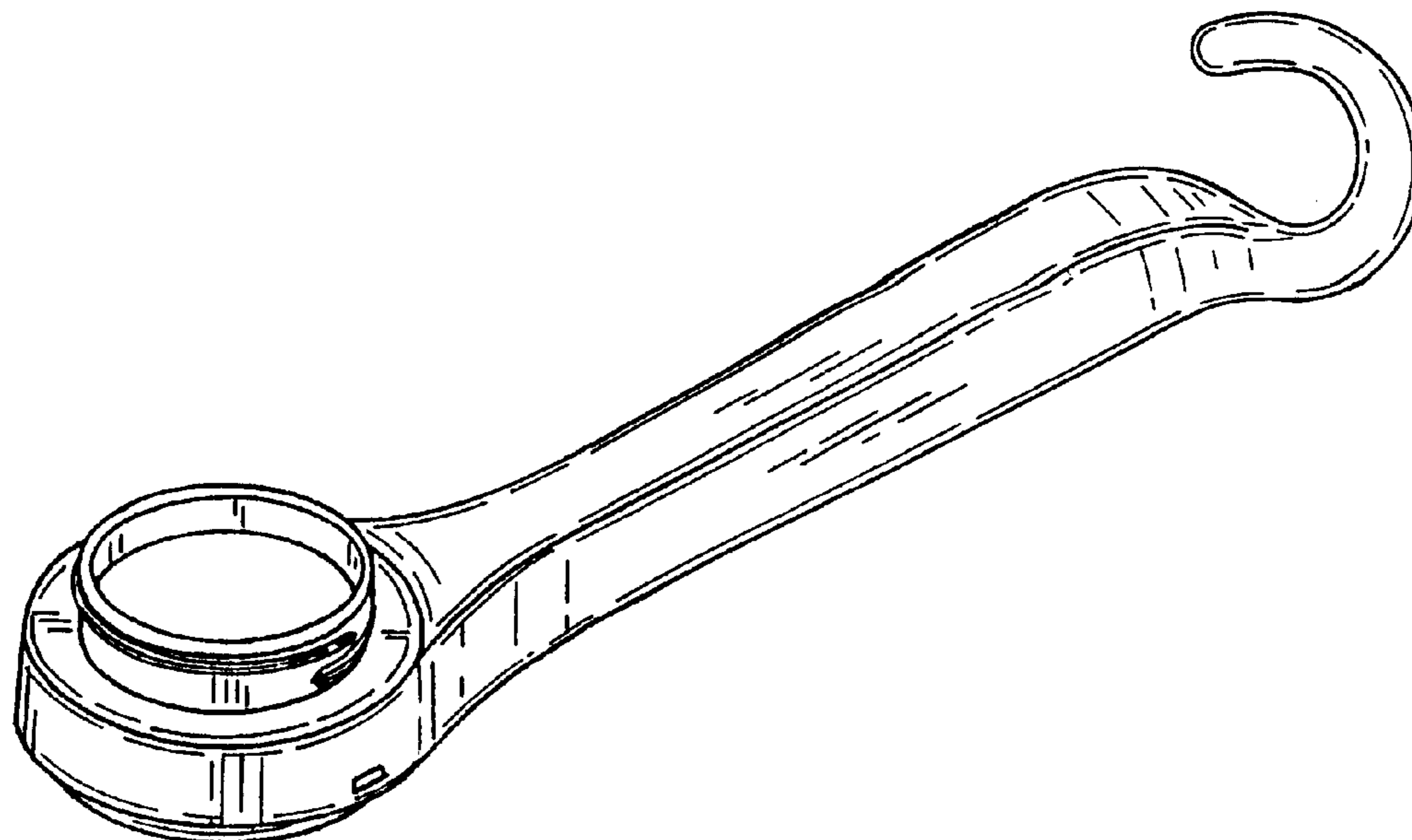
FIG. 7 illustrates an opposite side and top perspective view thereof;

FIG. 8 illustrates a top plan view thereof;

FIG. 9 illustrates a side view, the opposite side being a mirror image thereof; and,

FIG. 10 illustrates a bottom plan view thereof.

**1 Claim, 2 Drawing Sheets**



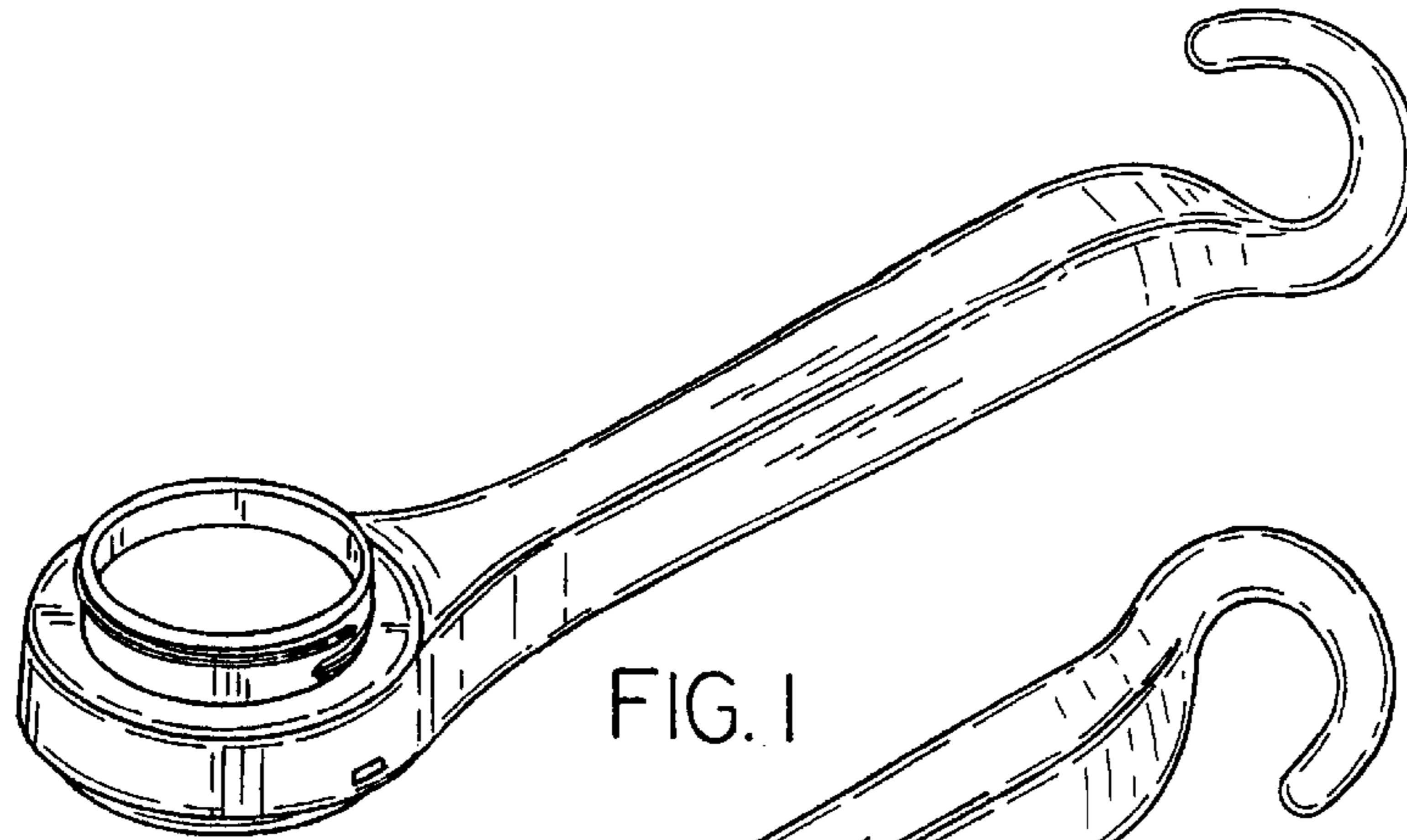


FIG. 1

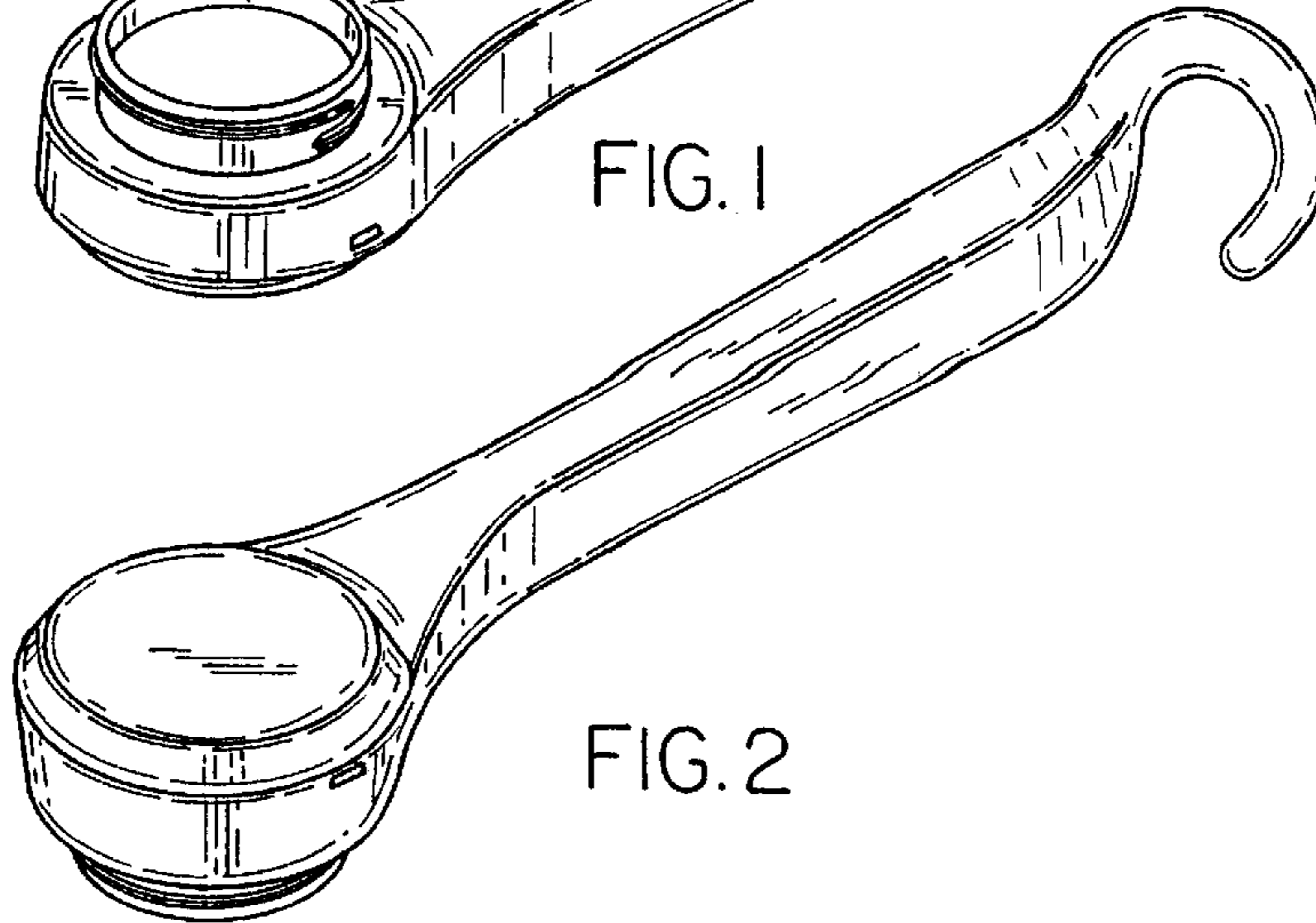


FIG. 2

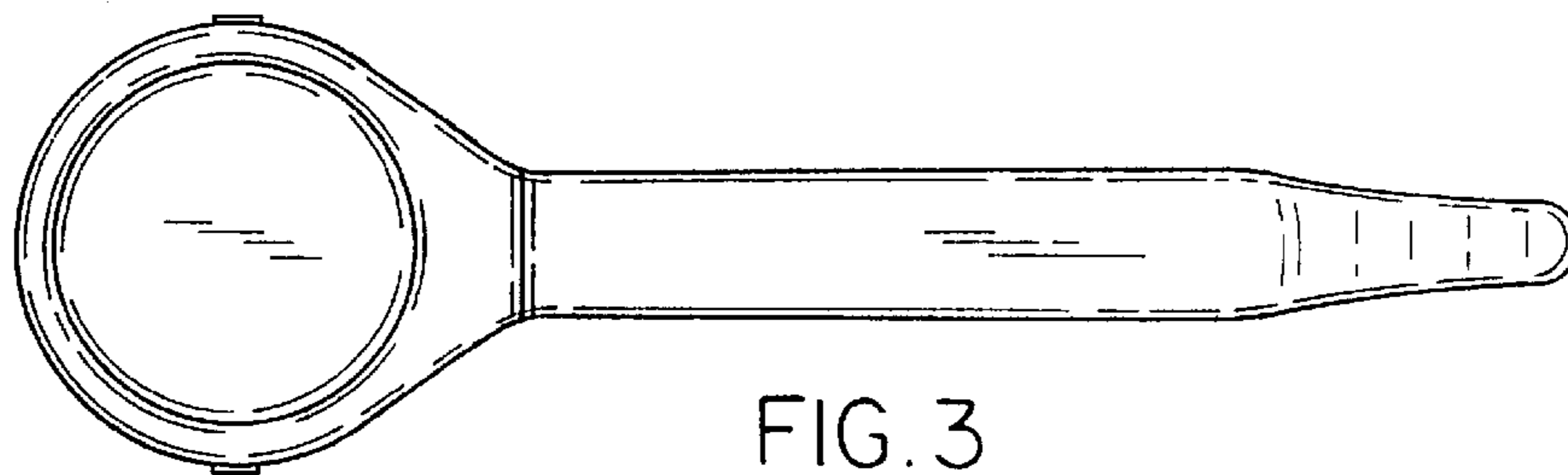


FIG. 3

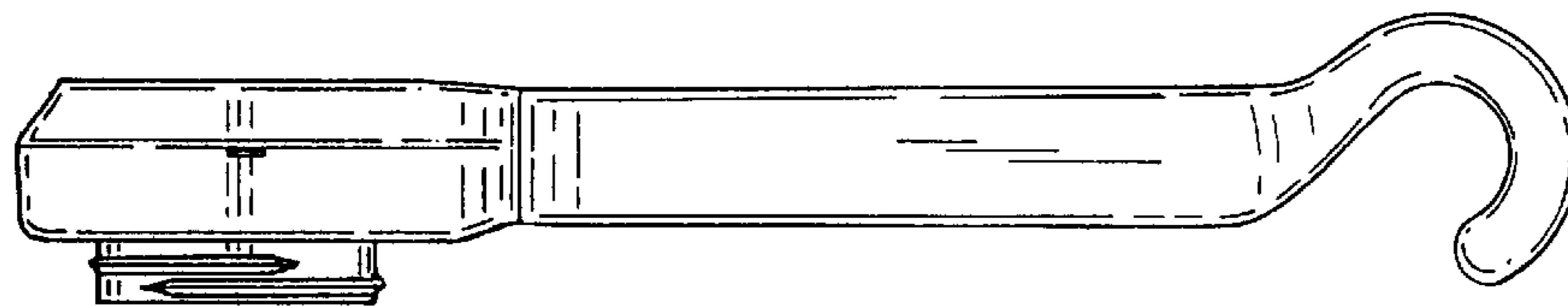


FIG. 4

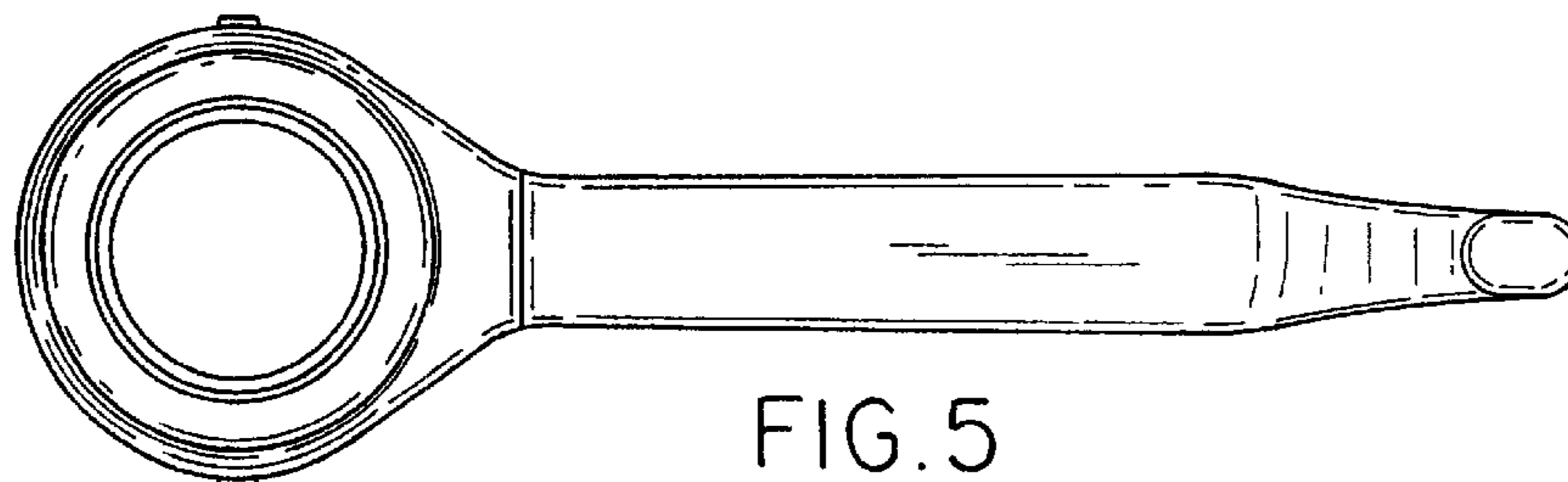


FIG. 5

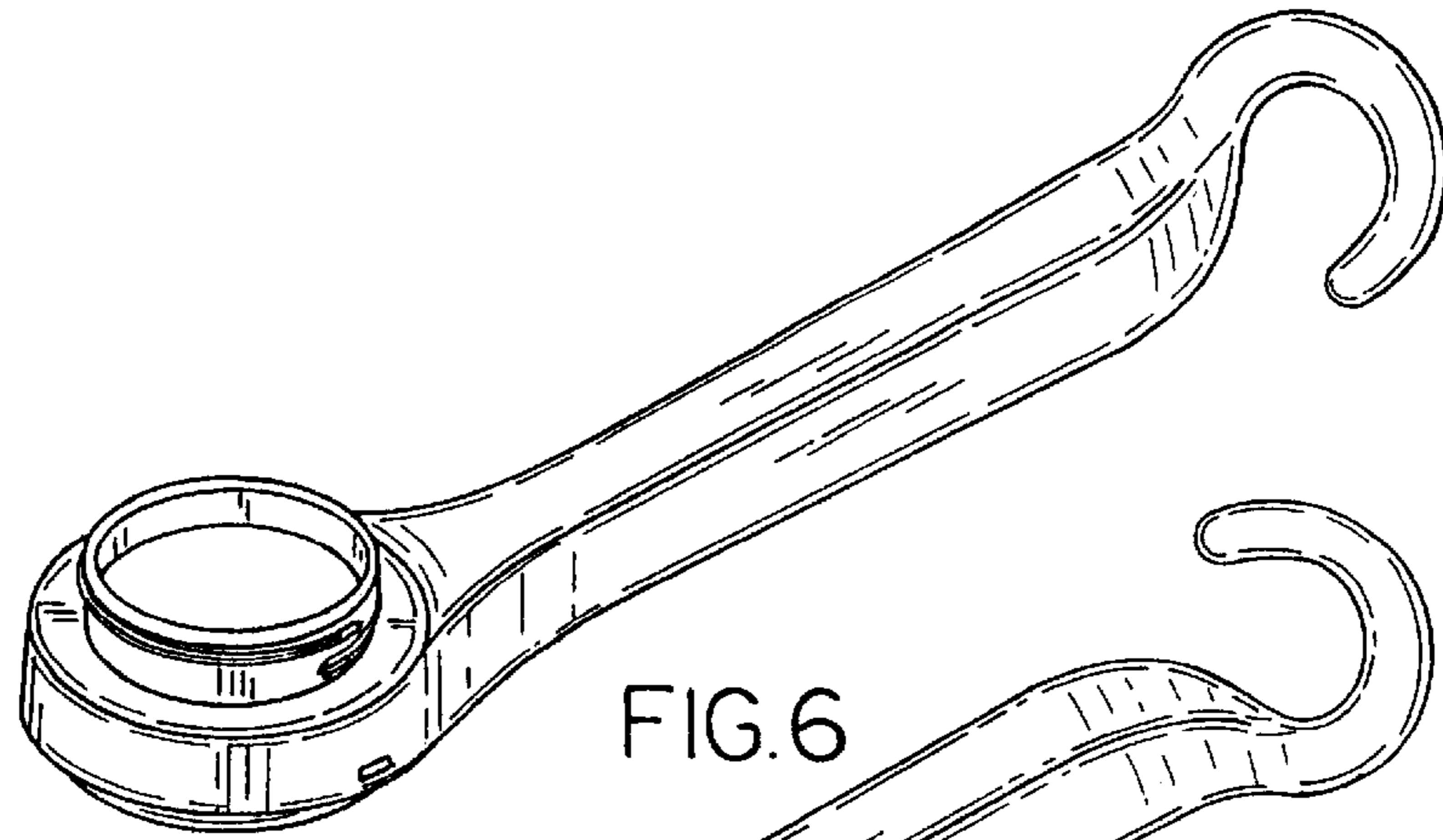


FIG. 6

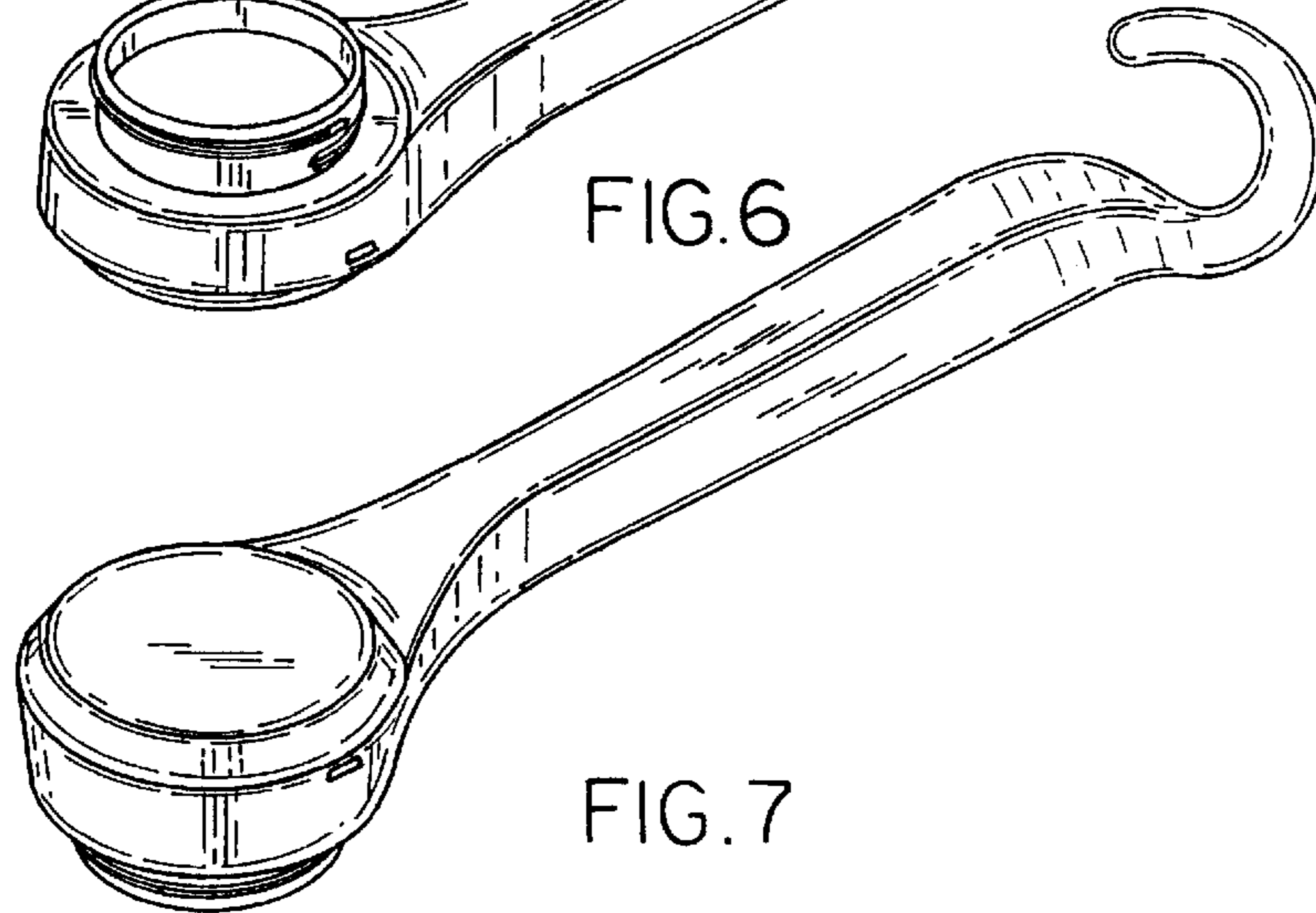


FIG. 7

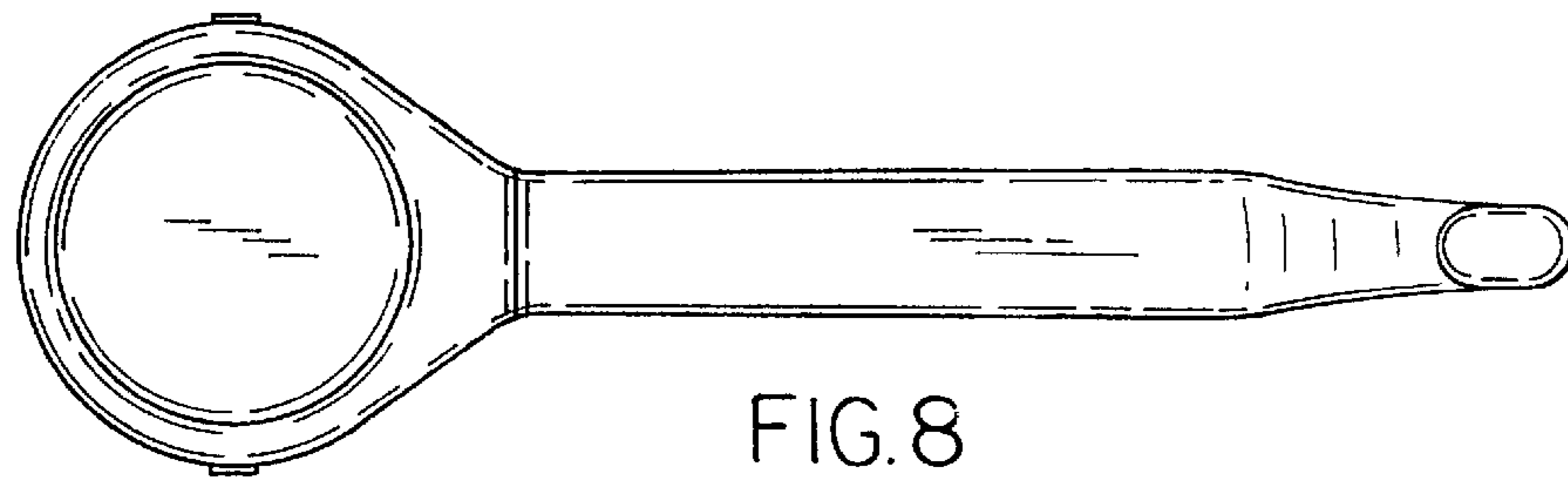


FIG. 8

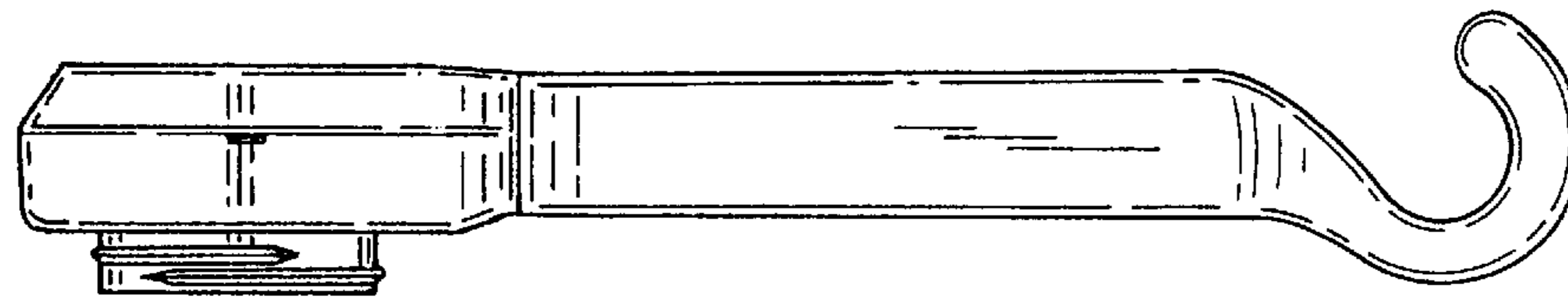


FIG. 9

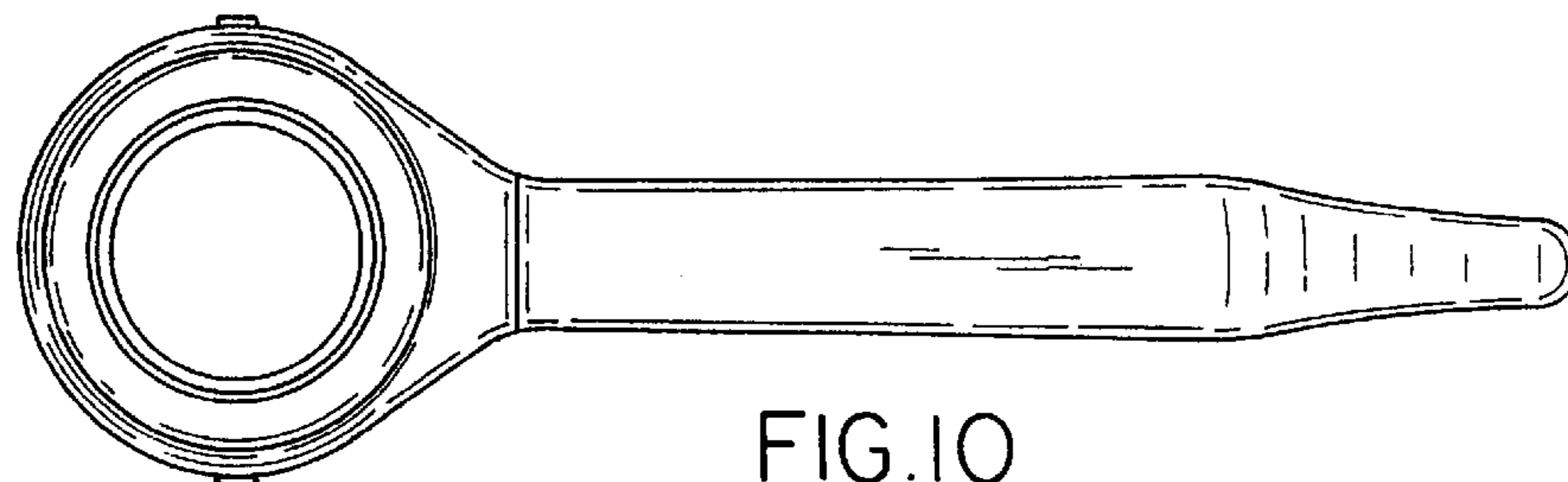


FIG. 10