



US00D518597S

(12) **United States Design Patent**
Sommers

(10) **Patent No.:** **US D518,597 S**

(45) **Date of Patent:** **** Apr. 4, 2006**

(54) **LOTION APPLICATOR**

(76) Inventor: **J. Erich Sommers**, 555 Laurel Ave.,
#310, San Mateo, CA (US) 94401

(**) Term: **14 Years**

(21) Appl. No.: **29/218,955**

(22) Filed: **Dec. 8, 2004**

(51) **LOC (8) Cl.** **28-02**

(52) **U.S. Cl.** **D28/7; D24/119**

(58) **Field of Classification Search** D28/7,
D28/8, 63, 91.2; D24/119, 215; D4/137,
D4/114, 138; D32/45, 51; 401/6, 196, 202-207,
401/261-267; 132/317, 320; 15/209.1, 210.1,
15/104.93, 104.94, 244.1-244.4, 144.1
See application file for complete search history.

(56) **References Cited**

U.S. PATENT DOCUMENTS

2,936,475	A	*	5/1960	Johns	15/144.4
3,103,682	A	*	9/1963	Markle	15/244.1
3,568,237	A	*	3/1971	Rhodes	15/244.2
4,299,005	A	*	11/1981	Brown	15/244.2
D343,680	S	*	1/1994	Salerno	D24/119
5,419,646	A	*	5/1995	Taylor	401/207

D375,816	S	*	11/1996	Long-Langworthy	D28/7
5,659,916	A	*	8/1997	Beatty et al.	15/210.1
5,664,281	A	*	9/1997	Pelfrey	15/244.2
5,875,511	A	*	3/1999	Nejdl	15/244.1
5,960,509	A	*	10/1999	Wu	15/244.2
D447,279	S	*	8/2001	Altobellis et al.	D28/7
6,438,787	B1	*	8/2002	Young	15/210.1
D490,565	S	*	5/2004	Ali	D28/7

* cited by examiner

Primary Examiner—Lucy Lieberman

(74) *Attorney, Agent, or Firm*—H. Michael Brucker

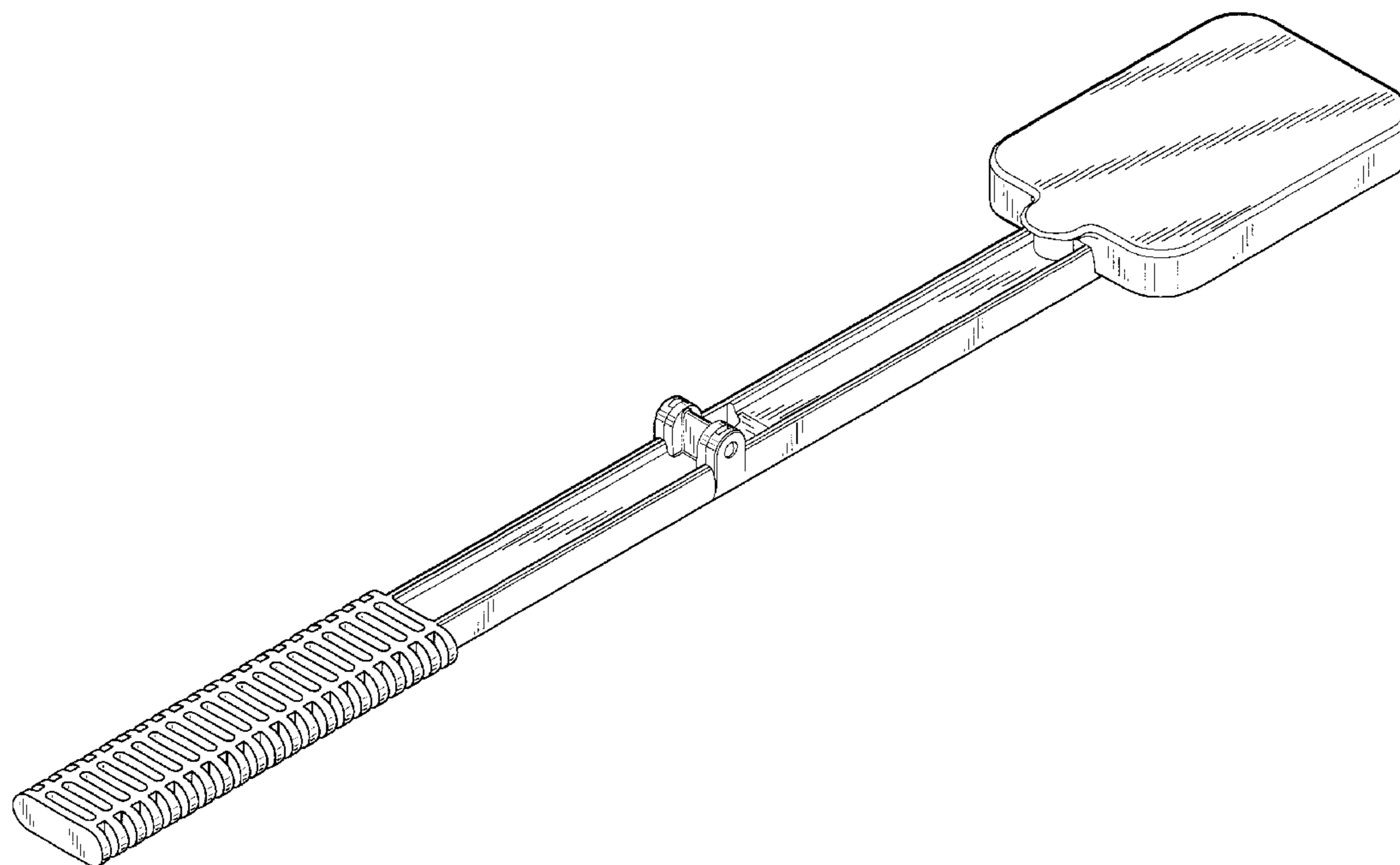
(57) **CLAIM**

The ornamental design for a lotion applicator, as shown and described.

DESCRIPTION

FIG. 1 is a top and right side perspective view of a lotion applicator showing my new design;
FIG. 2 is a top plan view;
FIG. 3 is a left side elevation view, the right side elevation view being the mirror image thereof;
FIG. 4 is a bottom plan view;
FIG. 5 is a front elevation view; and,
FIG. 6 is a rear elevation view.

1 Claim, 2 Drawing Sheets



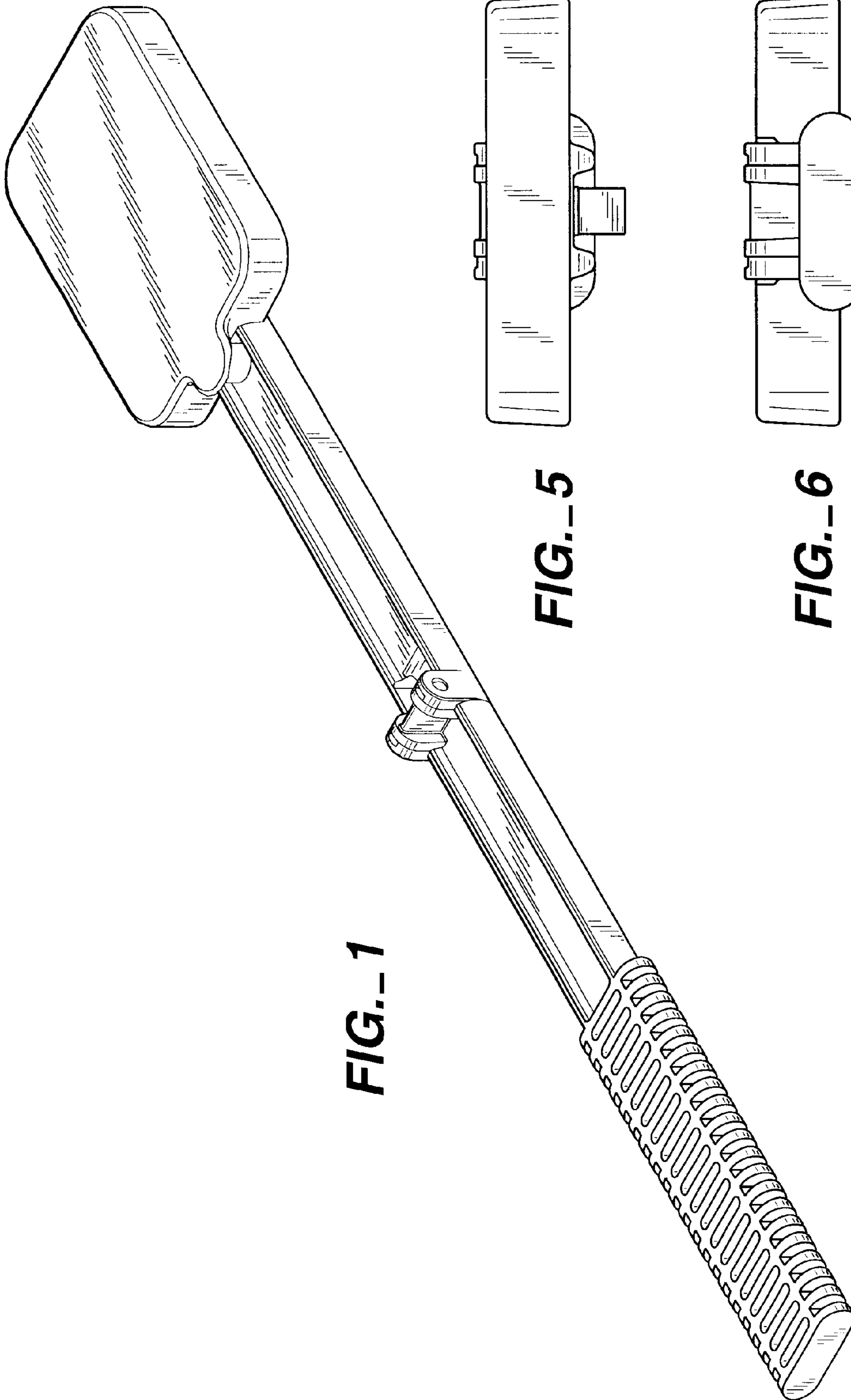


FIG. 1

FIG. 5

FIG. 6

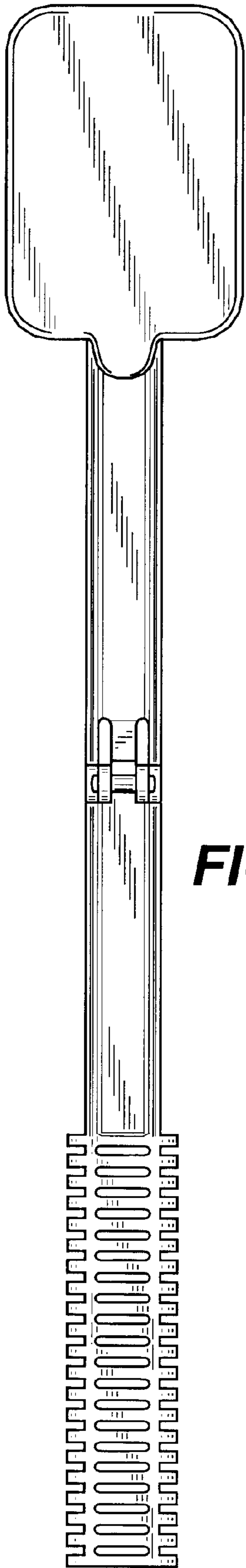


FIG. 2

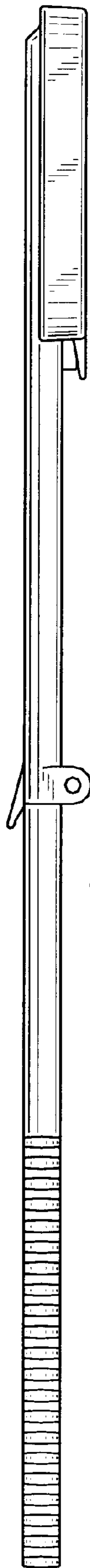


FIG. 3

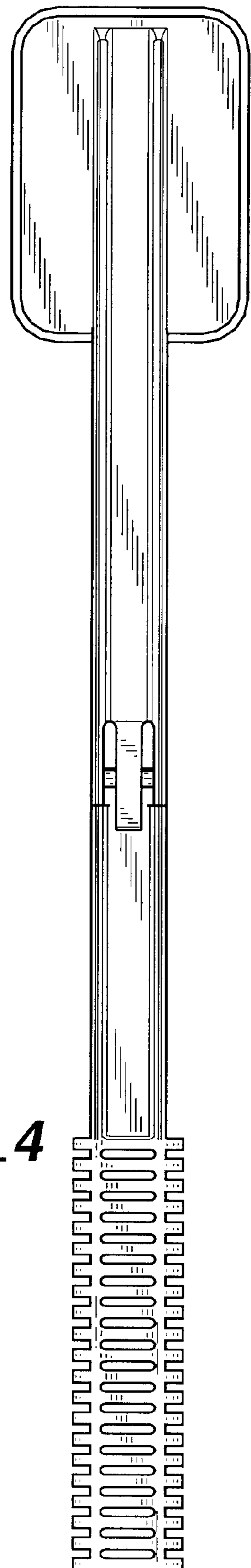


FIG. 4