



US00D518595S

(12) **United States Design Patent**  
**Morganfield, Jr. et al.**

(10) **Patent No.:** **US D518,595 S**

(45) **Date of Patent:** **\*\* Apr. 4, 2006**

(54) **RETRACTABLE HOLDER FOR A LIGHTER**

(76) Inventors: **Leroy Morganfield, Jr.**, 1645 W. 58th St., Los Angeles, CA (US) 90062;  
**Timothy Scott Morganfield**, 6107 Kensington Ave., Los Angeles, CA (US) 90043

(\*\*) **Term:** **14 Years**

(21) **Appl. No.:** **29/196,693**

(22) **Filed:** **Jan. 2, 2004**

(51) **LOC (8) Cl.** ..... **27-05**

(52) **U.S. Cl.** ..... **D27/161; D3/215**

(58) **Field of Classification Search** ..... D27/161,  
D27/172; 206/85-89; D3/207-210, 215;  
431/253

See application file for complete search history.

(56) **References Cited**

**U.S. PATENT DOCUMENTS**

- 4,082,496 A 4/1978 Johnson
- 4,486,169 A 12/1984 Lewis
- 4,898,532 A 2/1990 Bercik
- 4,927,354 A 5/1990 Sanford
- D311,599 S \* 10/1990 Braden ..... D27/172

- D319,347 S \* 8/1991 VanLandingham et al. .. D3/210
- 5,788,478 A 8/1998 DeNoia et al.
- D402,401 S \* 12/1998 Duke ..... D27/161
- D465,645 S \* 11/2002 Lombardo et al. .... D3/215
- 6,641,390 B1 \* 11/2003 Genuise ..... 431/253
- D485,981 S \* 2/2004 Romero ..... D3/215

\* cited by examiner

*Primary Examiner*—Jennifer Rivard

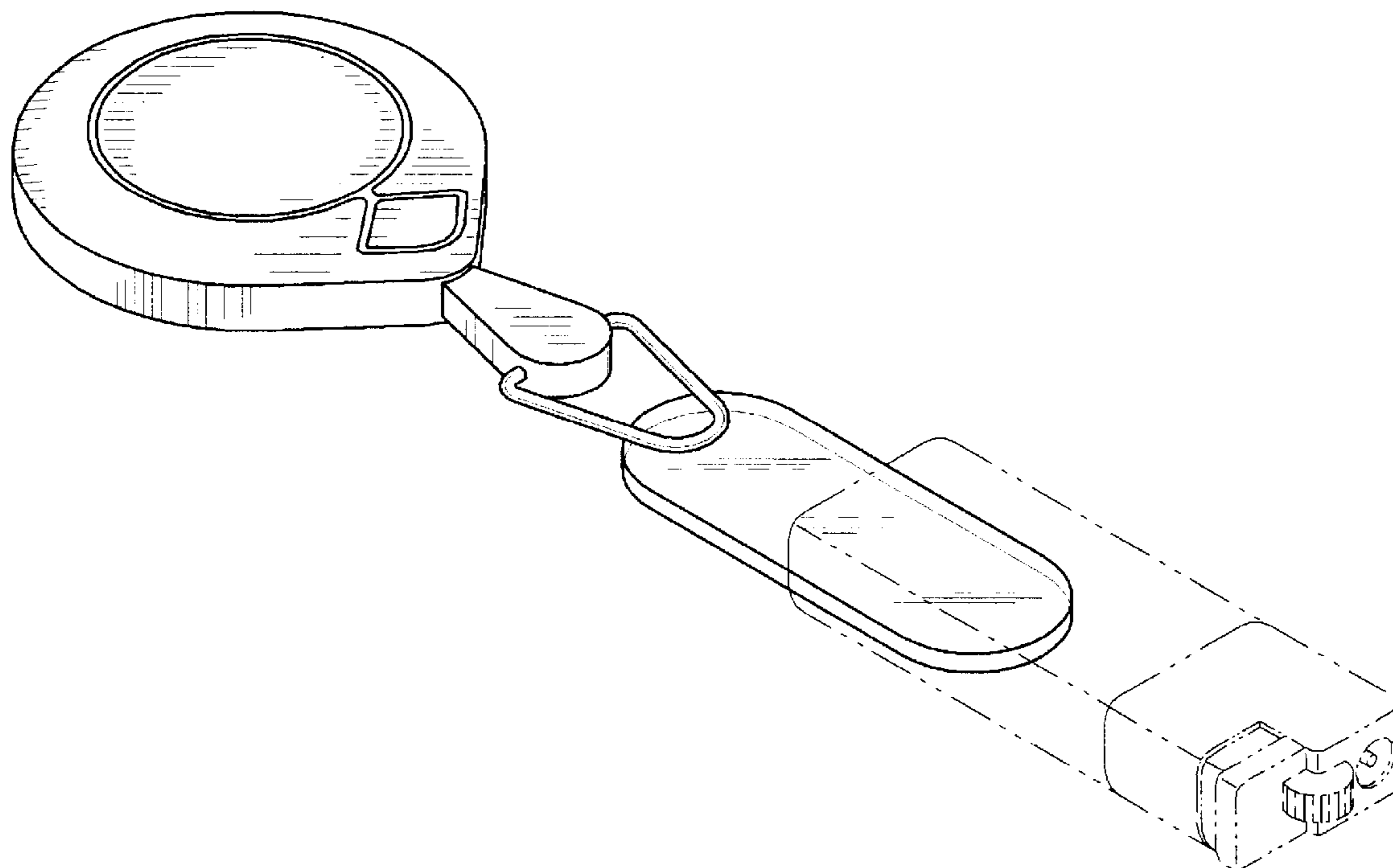
(57) **CLAIM**

The ornamental design for a retractable holder for a lighter, as shown and described.

**DESCRIPTION**

FIG. 1 is a front elevational view of a retractable holder for a lighter showing our new design;  
 FIG. 2 is a rear elevational view thereof;  
 FIG. 3 is a side view, taken from the left side of FIG. 1;  
 FIG. 4 is a side view, taken from the right side of FIG. 1;  
 FIG. 5 is a top plan view; the bottom plan view being a mirror image thereof; and,  
 FIG. 6 is a perspective view thereof.  
 The broken line showing a lighter in FIG. 6 is for illustrative purposes only and forms no part of the claimed design.

**1 Claim, 3 Drawing Sheets**



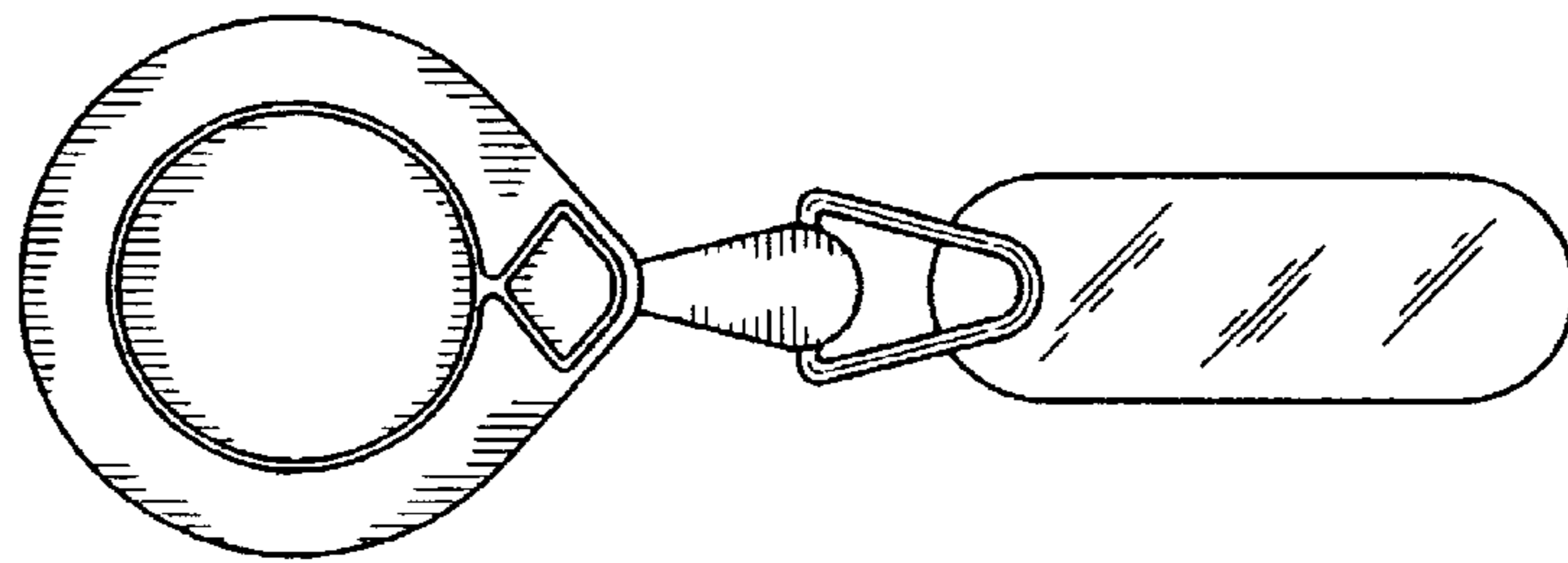


FIG.1

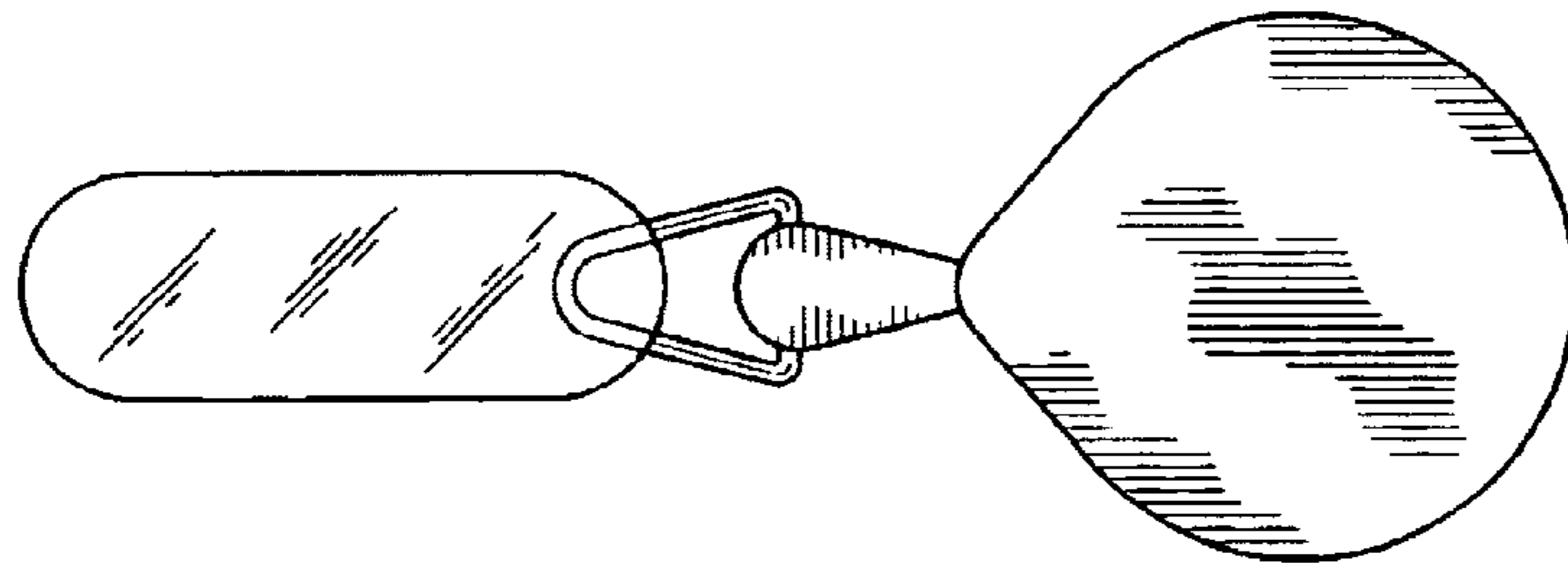


FIG.2



FIG. 3



FIG. 4

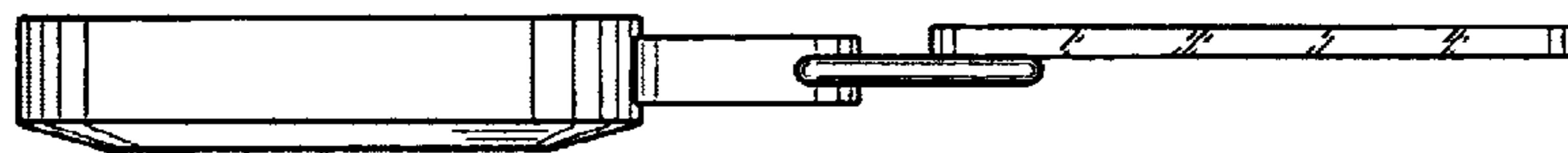


FIG. 5

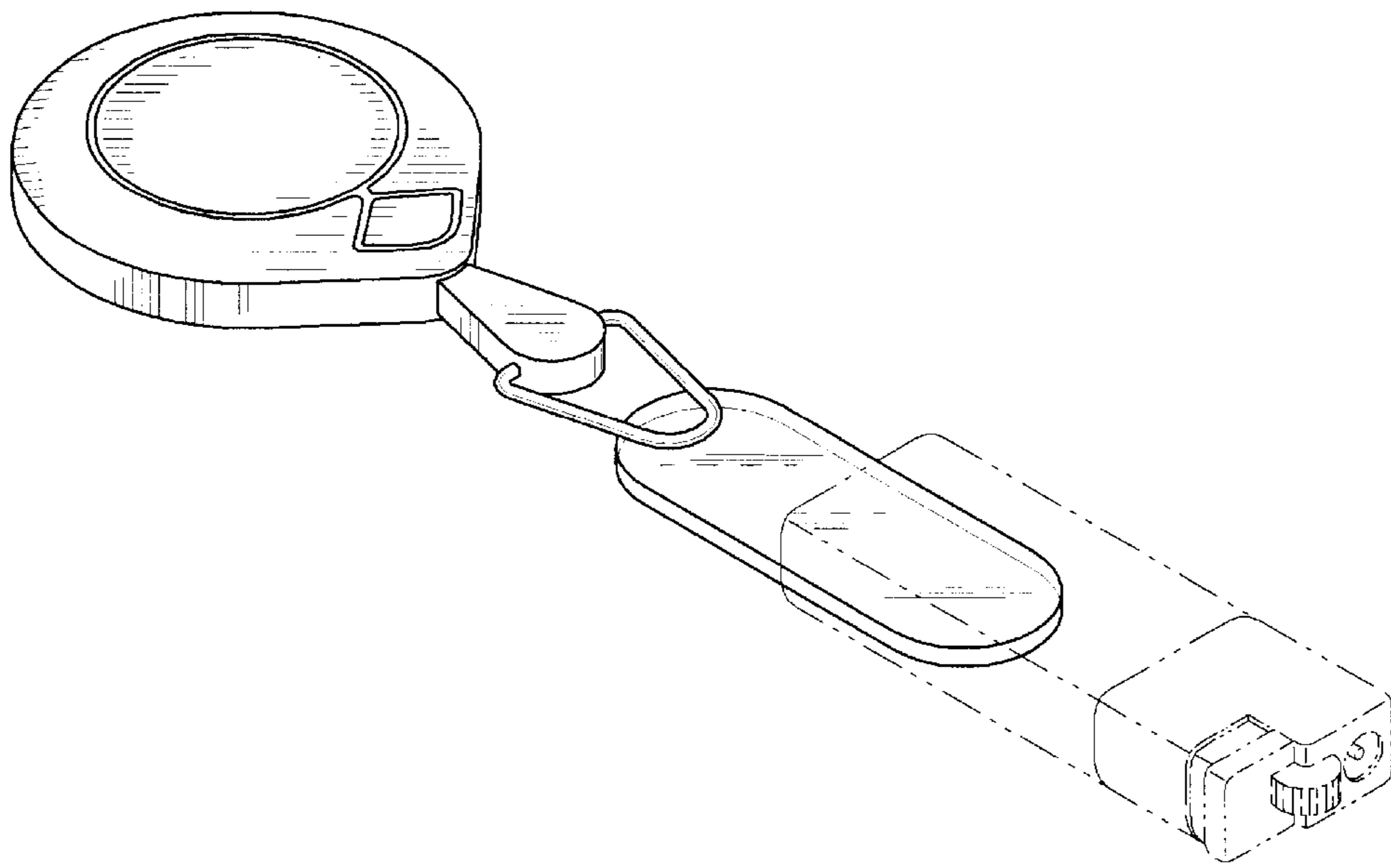


FIG.6