



US00D518594S

(12) **United States Design Patent**  
**Brunner**

(10) **Patent No.:** **US D518,594 S**

(45) **Date of Patent:** **\*\* Apr. 4, 2006**

(54) **LIGHT**

(76) Inventor: **Richard Brunner**, 2202 Wrocklage Ave., Louisville, KY (US) 40205

(\*\*) Term: **14 Years**

(21) Appl. No.: **29/232,974**

(22) Filed: **Jun. 24, 2005**

(51) **LOC (8) Cl.** ..... **26-03**

(52) **U.S. Cl.** ..... **D26/87**

(58) **Field of Classification Search** ..... D26/72,  
D26/80-92, 138, 155, 142-145; 362/147,  
362/404-408, 432

See application file for complete search history.

(56) **References Cited**

**U.S. PATENT DOCUMENTS**

D369,428 S	*	4/1996	Deron	.....	D26/92
D372,331 S	*	7/1996	Cheng	.....	D26/142
D391,662 S	*	3/1998	Miranda	.....	D26/87
D435,689 S	*	12/2000	Miranda	.....	D26/155

**OTHER PUBLICATIONS**

Brushed Steel 7½" High Wall Sconce #83844 from Lampsplus.com. Found online Sep. 23, 2005.\*

Quoizel 2004 Catalog. Item #DR 8736C from the Dorian Collection on p. 254.\*

Kichler Lighting Catalog No. 104 ©2004. Item #'s 6340, 6341 and 6342 on p. 91.\*

\* cited by examiner

*Primary Examiner*—Clare E Heflin

(74) *Attorney, Agent, or Firm*—Gordon G. Waggett, P.C.

(57) **CLAIM**

The ornamental design for an light, as shown and described.

**DESCRIPTION**

FIG. 1 is a perspective view of the light of the present invention.

FIG. 2 is a front elevation view of the light of the present invention.

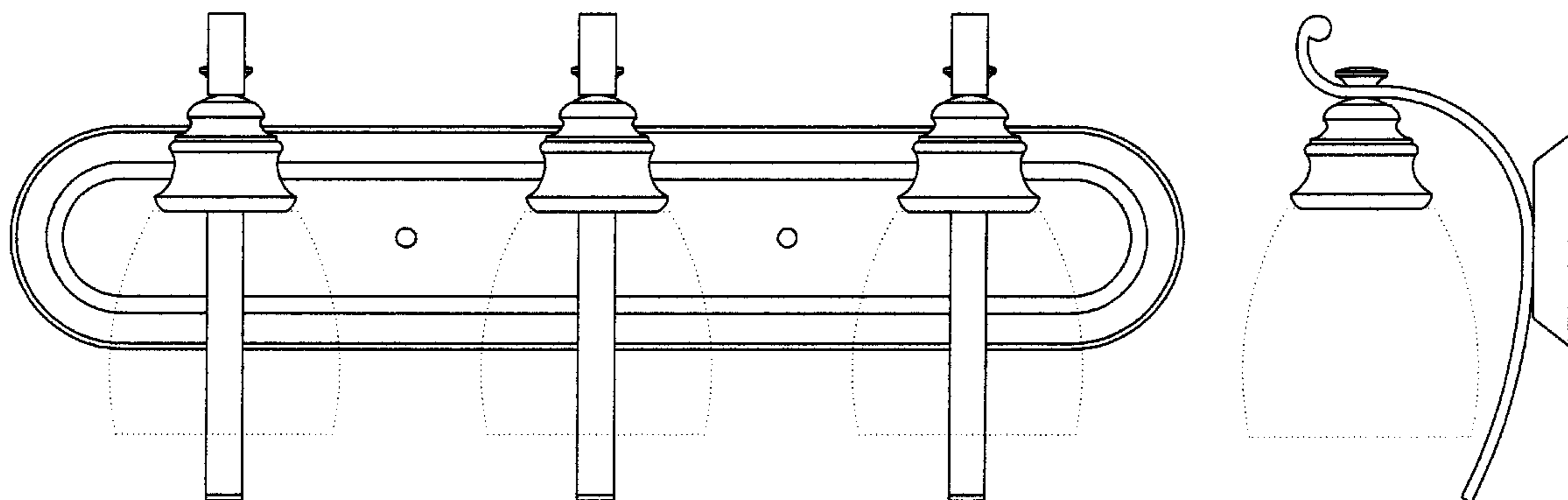
FIG. 3 is a right side elevation view of the light of the present invention; left side view is a mirror image.

FIG. 4 is a top plan view of the light of the present invention; and,

FIG. 5 is a bottom plan view of the light of the present invention.

The broken lines shown on the drawings are for illustrative purposes only and form no part of the claimed design.

**1 Claim, 5 Drawing Sheets**



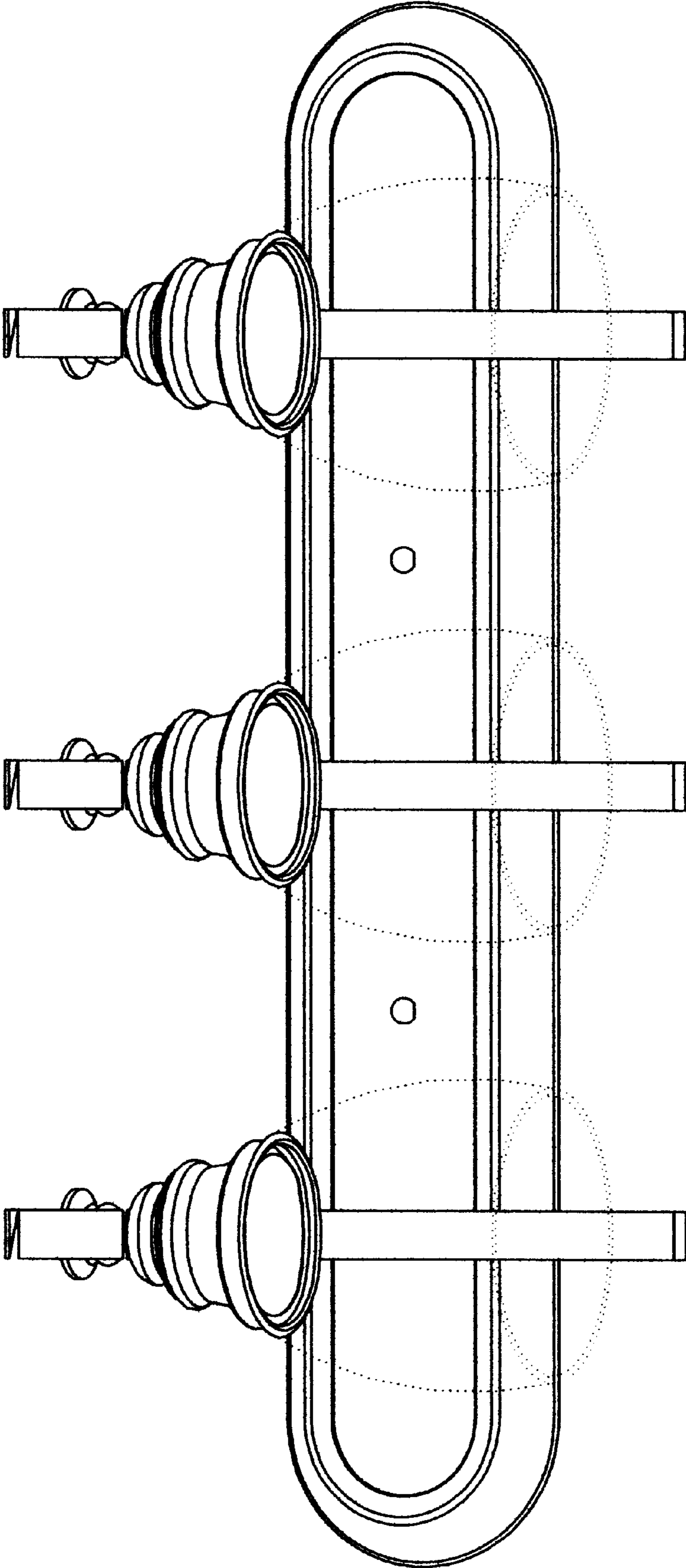


Fig. 1

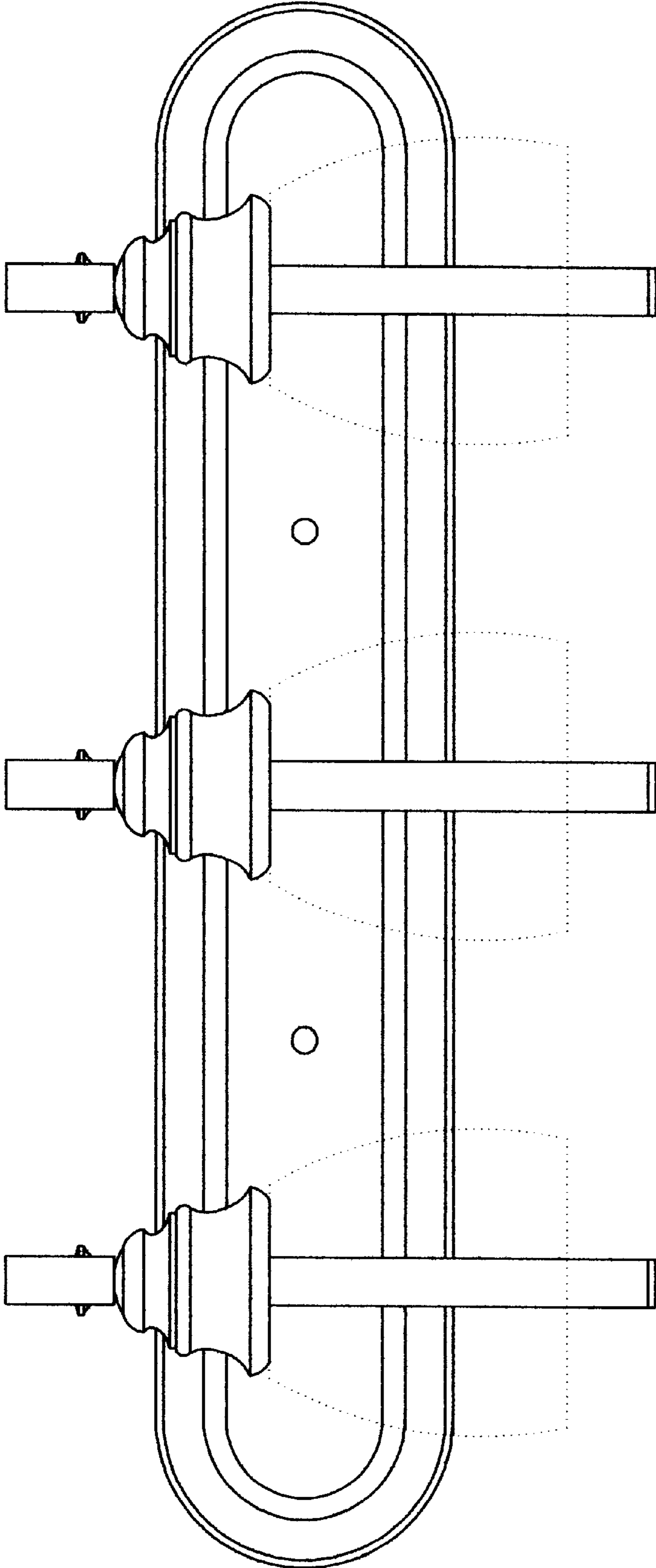


Fig. 2

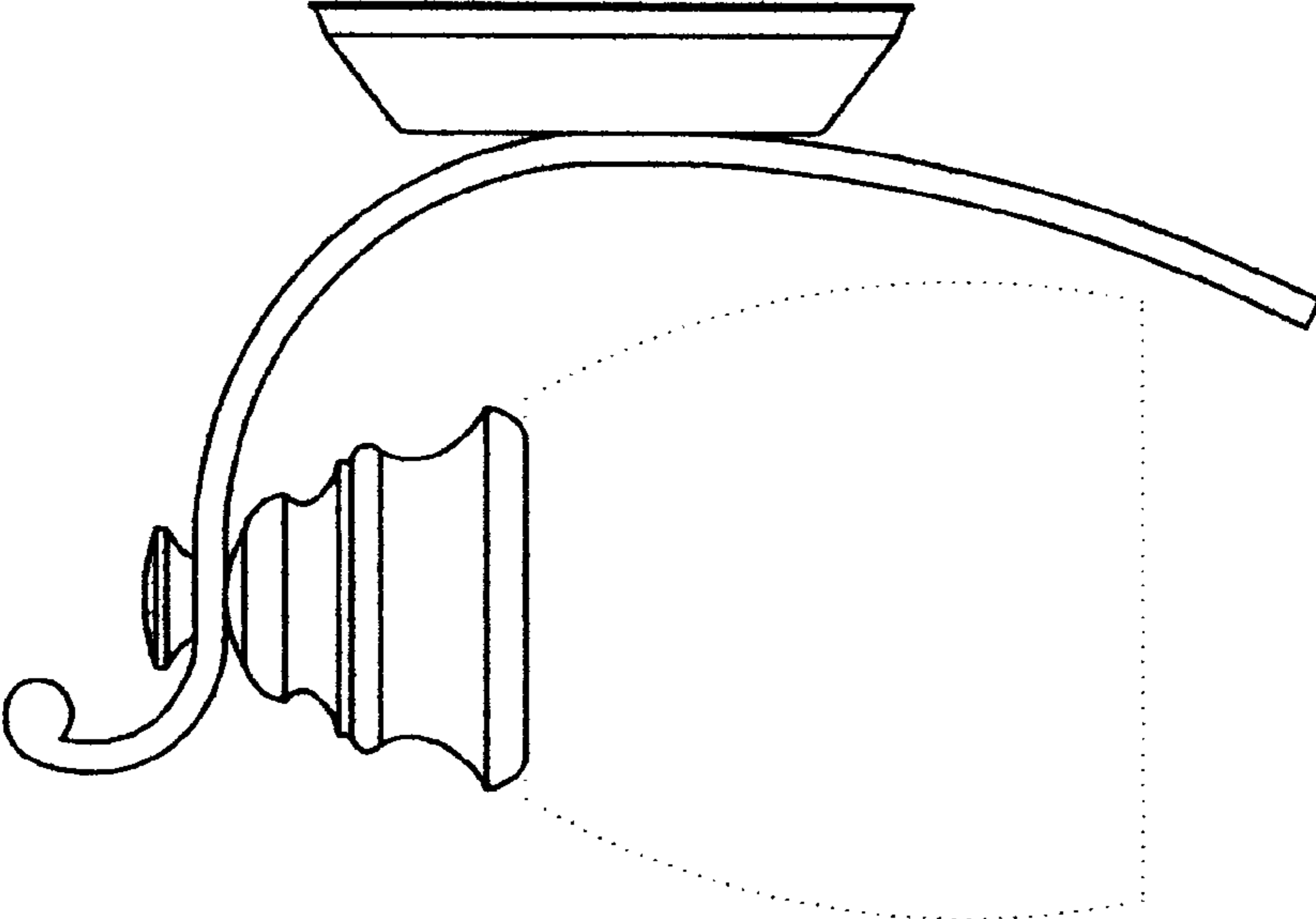


Fig. 3

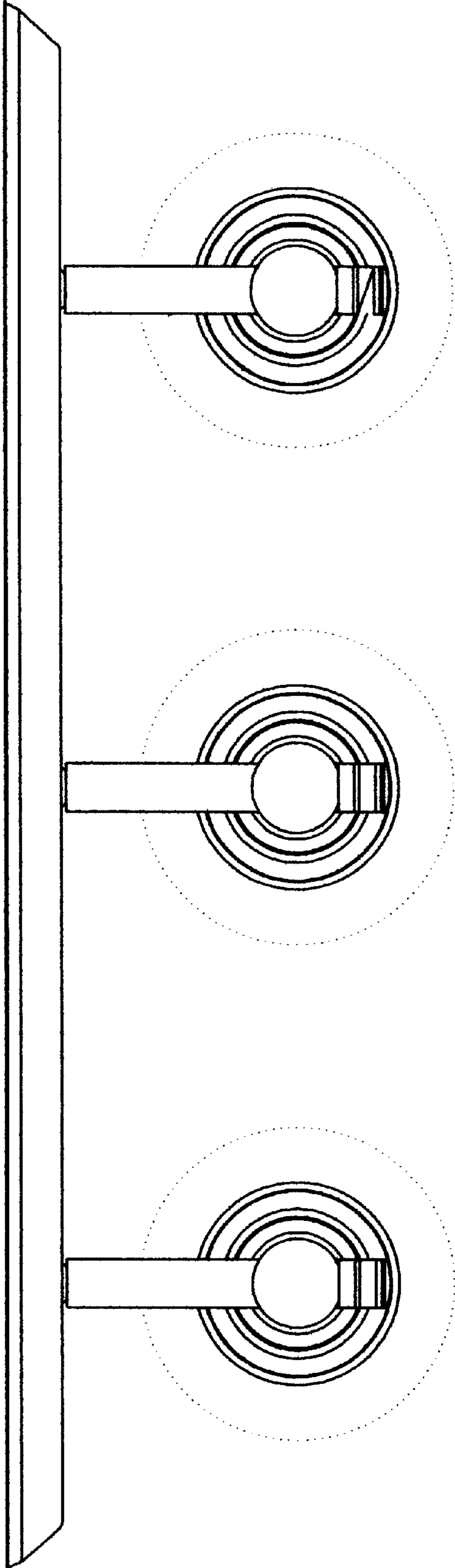


Fig. 4

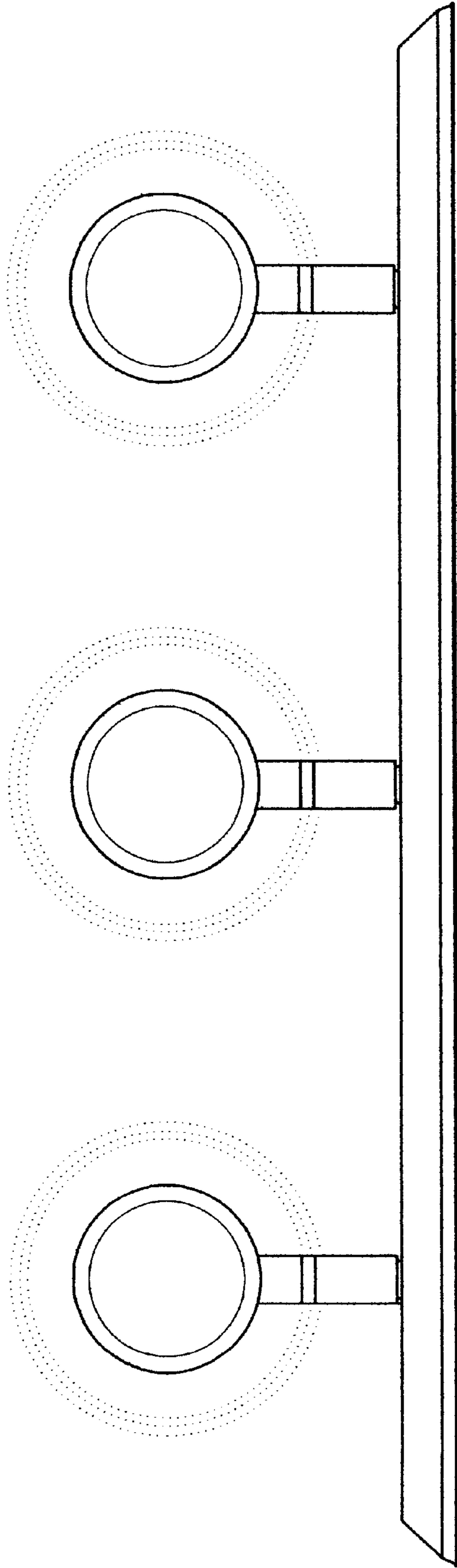


Fig. 5