



US00D518593S

(12) **United States Design Patent**  
**Lee**

(10) **Patent No.:** **US D518,593 S**  
(45) **Date of Patent:** **\*\* Apr. 4, 2006**

(54) **WALL LAMP**

*Primary Examiner*—Clare E Heflin

(76) Inventor: **Ying-Jue Lee**, 3F, No. 10, Alley 16,  
Lane 205, Sec. 3, Hsien Ming Da Doa,  
Panchou, Taipei Hsien (TW), 220

(57) **CLAIM**

The ornamental design for a wall lamp, as shown and described.

(\*\*) Term: **14 Years**

**DESCRIPTION**

(21) Appl. No.: **29/228,134**

FIG. 1 is a perspective view of wall lamp showing my new design;

(22) Filed: **Apr. 21, 2005**

FIG. 2 is a front elevational view thereof;

(51) **LOC (8) Cl.** ..... **26-03**

FIG. 3 is a rear elevational view thereof;

(52) **U.S. Cl.** ..... **D26/86; D26/80; D26/92**

FIG. 4 is a left side elevational view thereof;

(58) **Field of Classification Search** ..... D26/72,  
D26/80-92, 138, 155, 142-145; 362/147,  
362/404-408, 432

FIG. 5 is a right side elevational view thereof;

See application file for complete search history.

FIG. 6 is a top plan view thereof; and

FIG. 7 is a bottom plan view thereof.

(56) **References Cited**

FIG. 8 is a perspective view of a wall lamp showing a second embodiment of my new design;

**U.S. PATENT DOCUMENTS**

FIG. 9 is a front elevational view thereof;

D501,572 S \* 2/2005 Lee ..... D26/86

FIG. 10 is a rear elevational view thereof;

**OTHER PUBLICATIONS**

Kichler Lighting Catalog No. 104 ©2004. Item #'s 5343 and 5344 on p. 256.\*

FIG. 11 is a left side elevational view thereof;

Kichler Lighting Catalog No. 104 ©2004. Item #'s 6406, 6408, 6407 and 6409 on p. 259.\*

FIG. 12 is a right side elevational view thereof;

Kichler Lighting Catalog No. 104 ©2004. All Light Fixtures on p. 260.\*

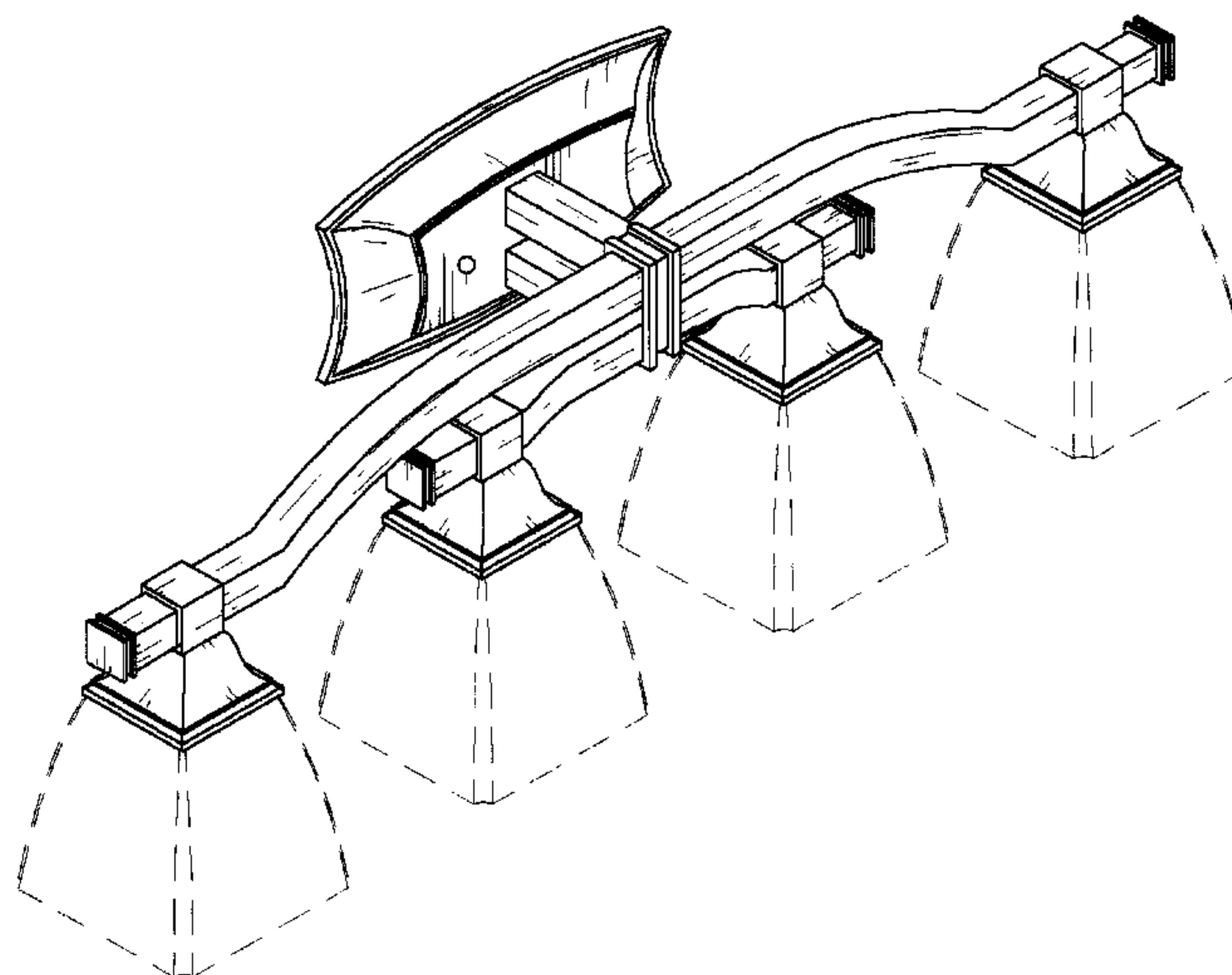
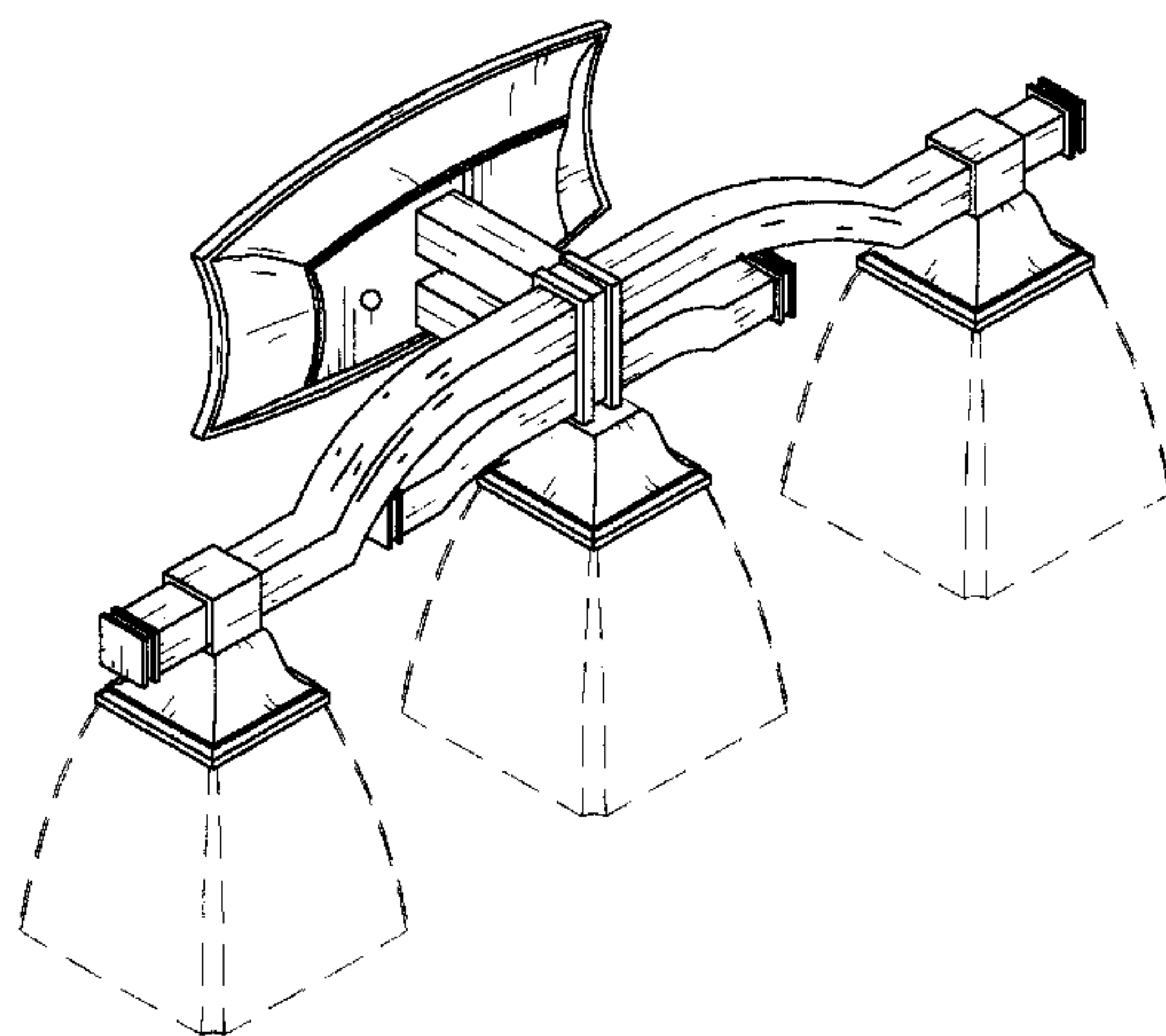
FIG. 13 is a top plan view thereof; and

FIG. 14 is a bottom plan view thereof.

The broken lines are shown for illustrative purpose only, and forming no part of the claimed design.

\* cited by examiner

**1 Claim, 10 Drawing Sheets**



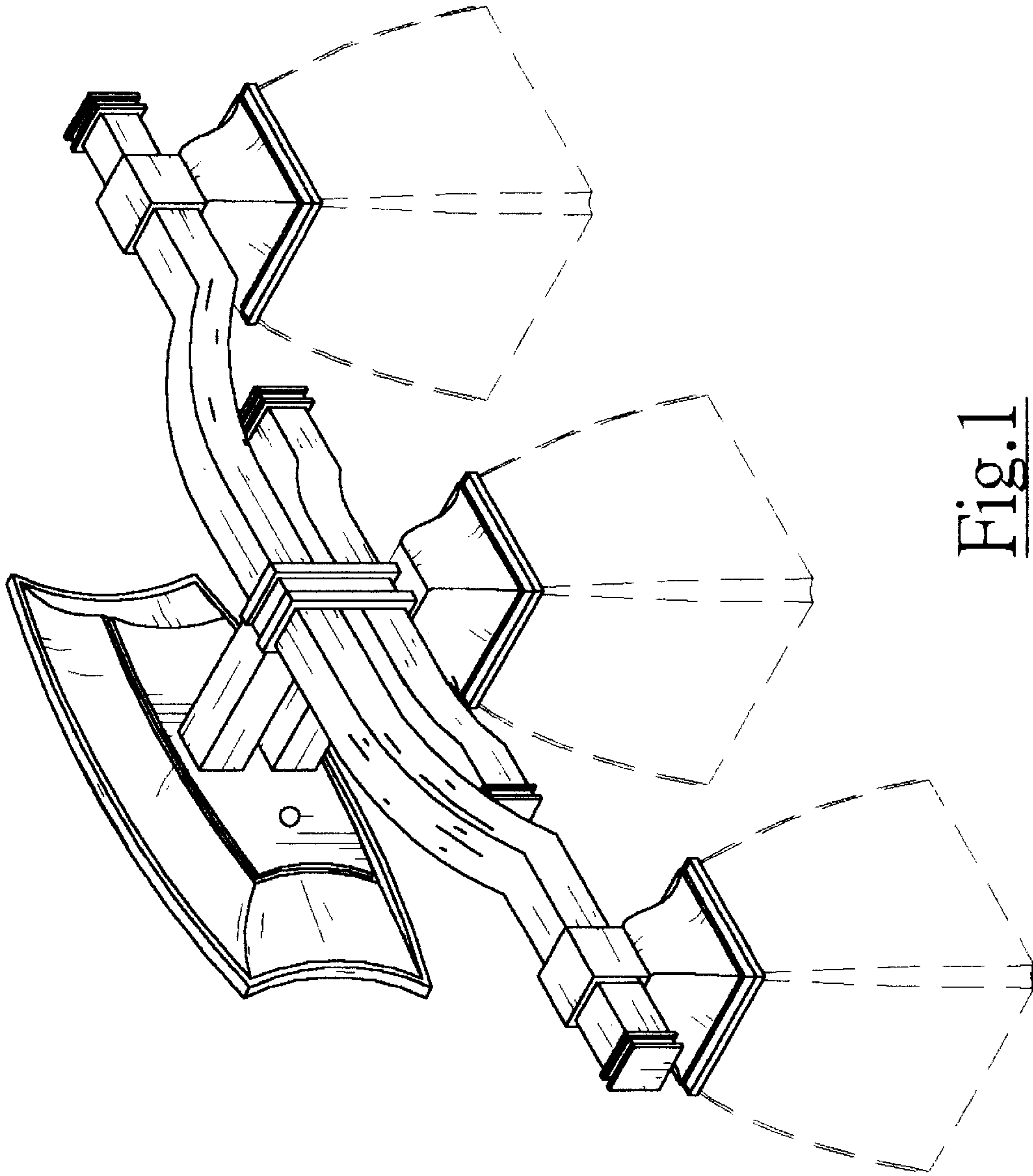


Fig. 1

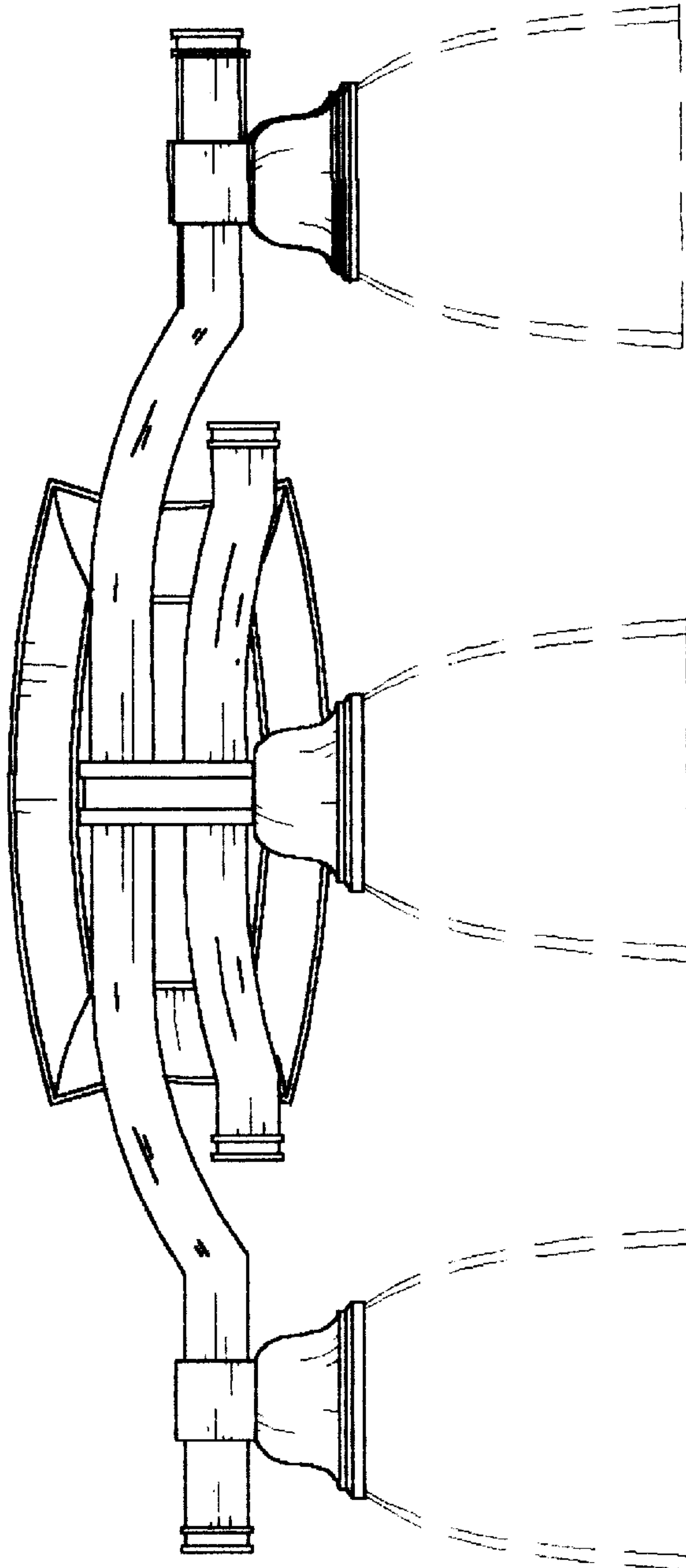


Fig. 2

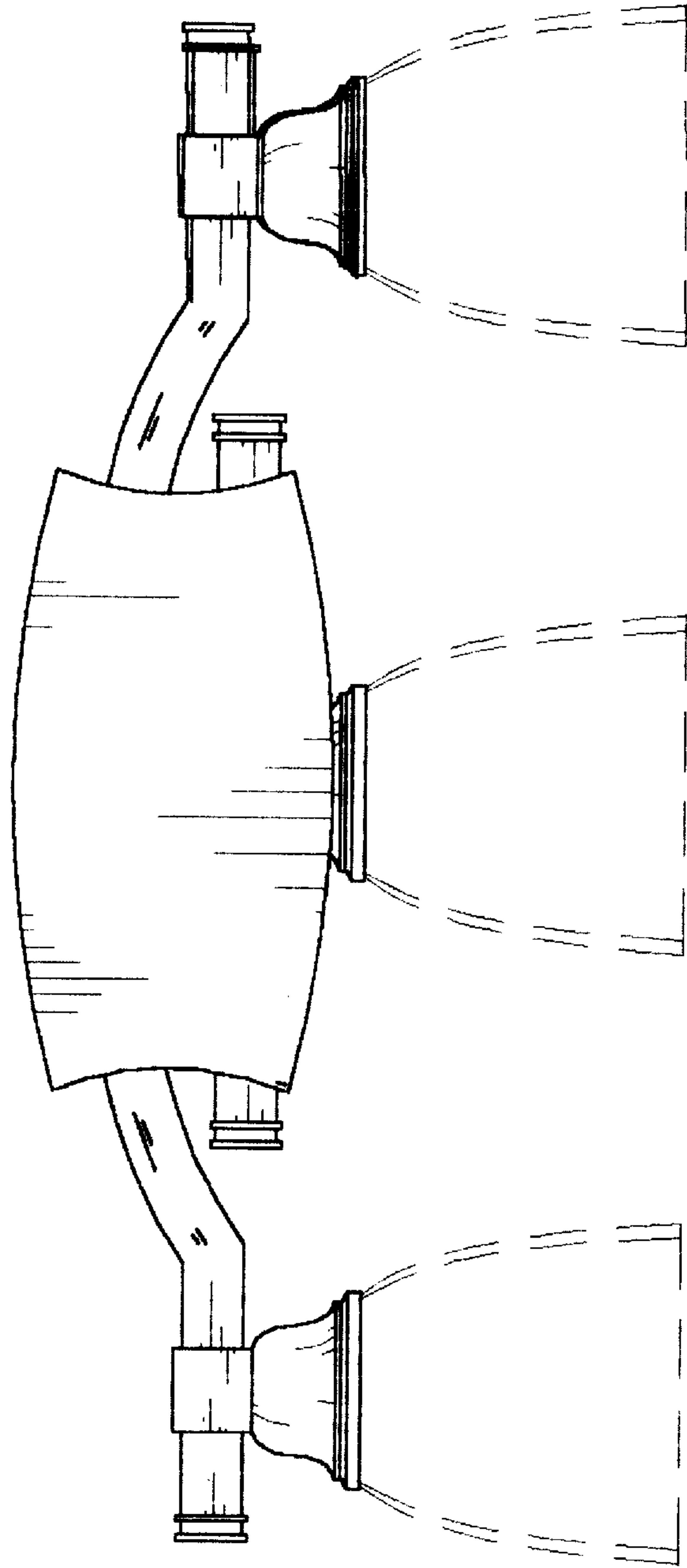


Fig. 3

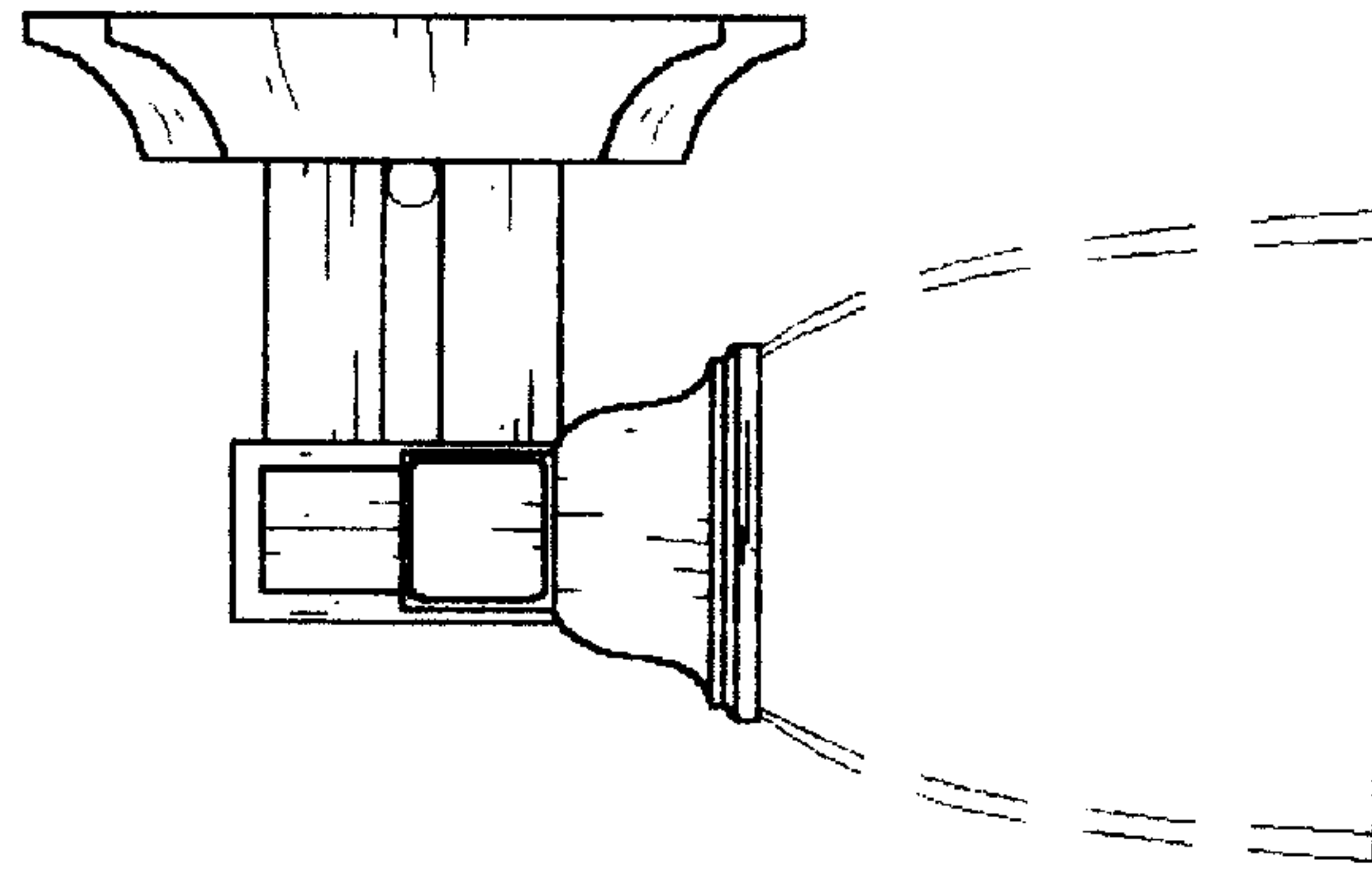


Fig. 5

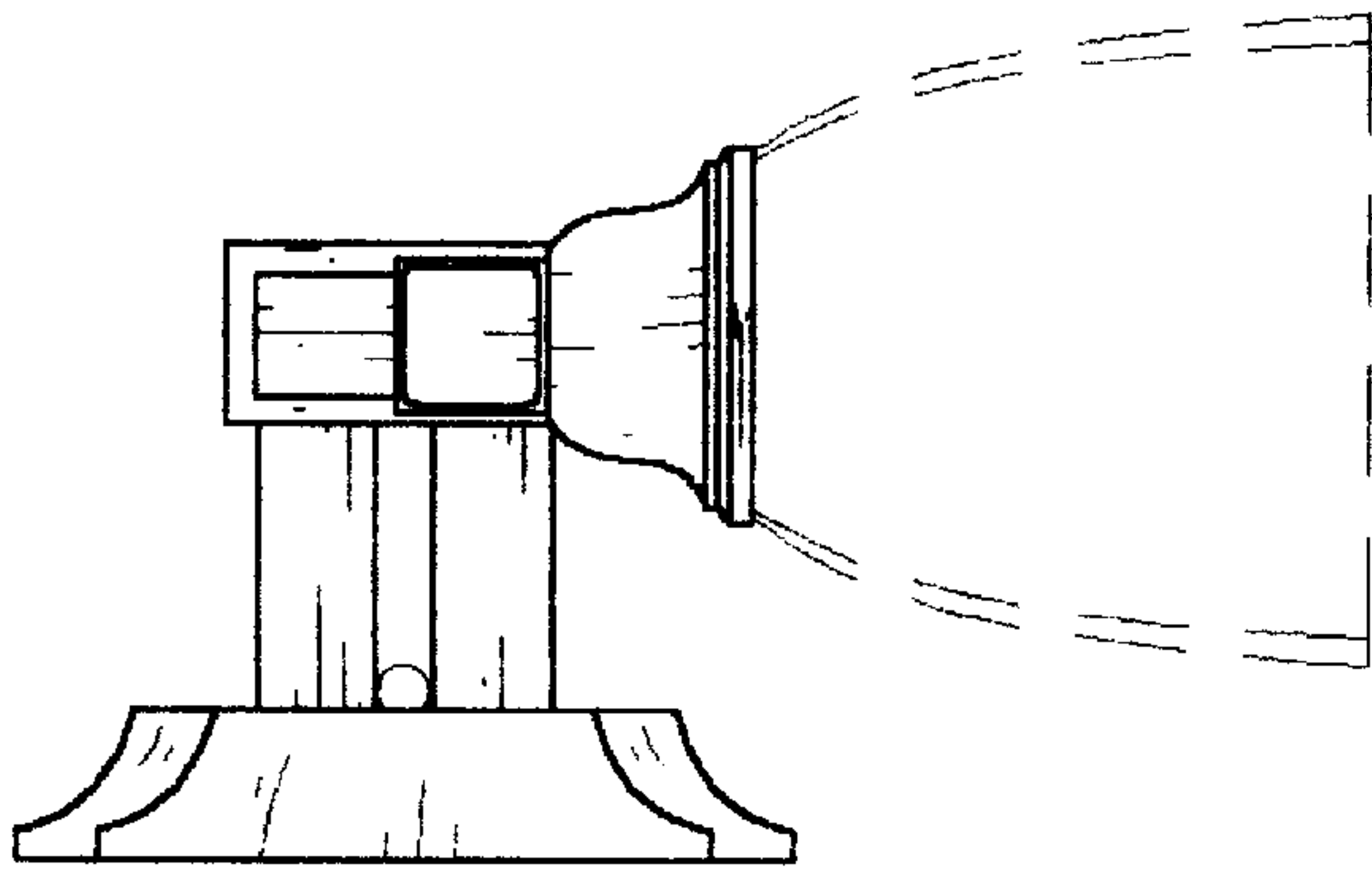


Fig. 4

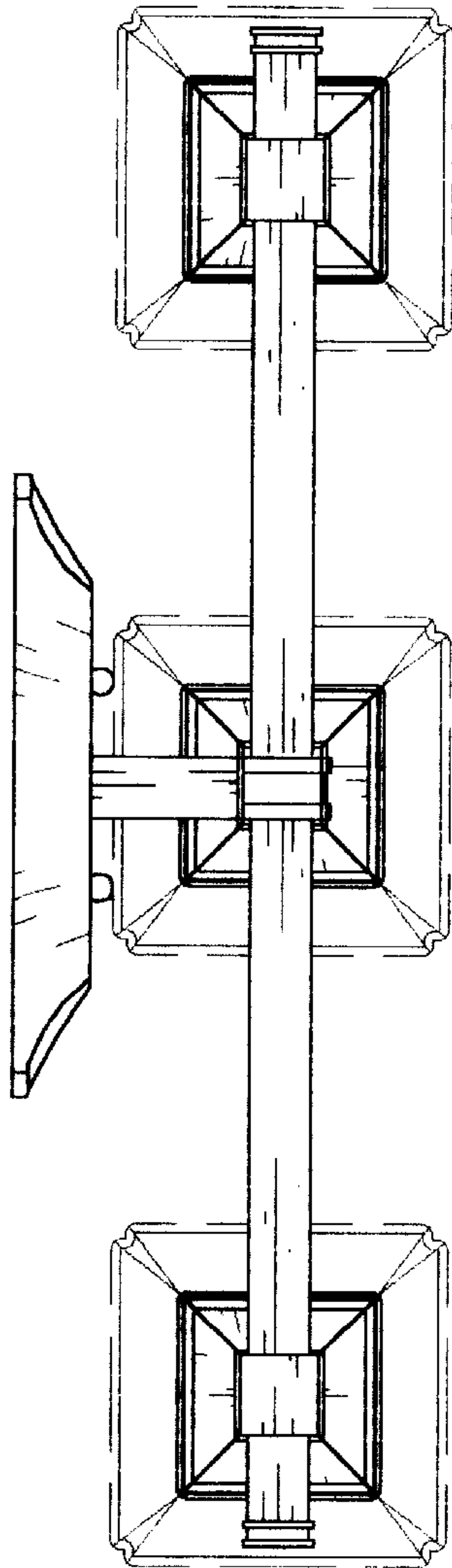


Fig. 6

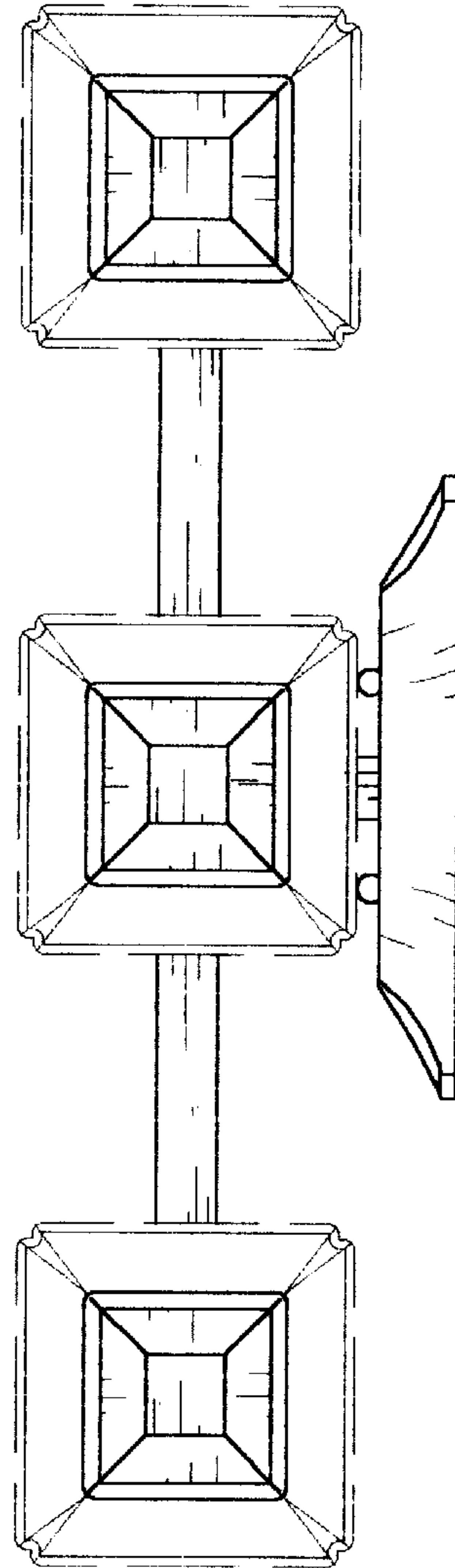


Fig. 7



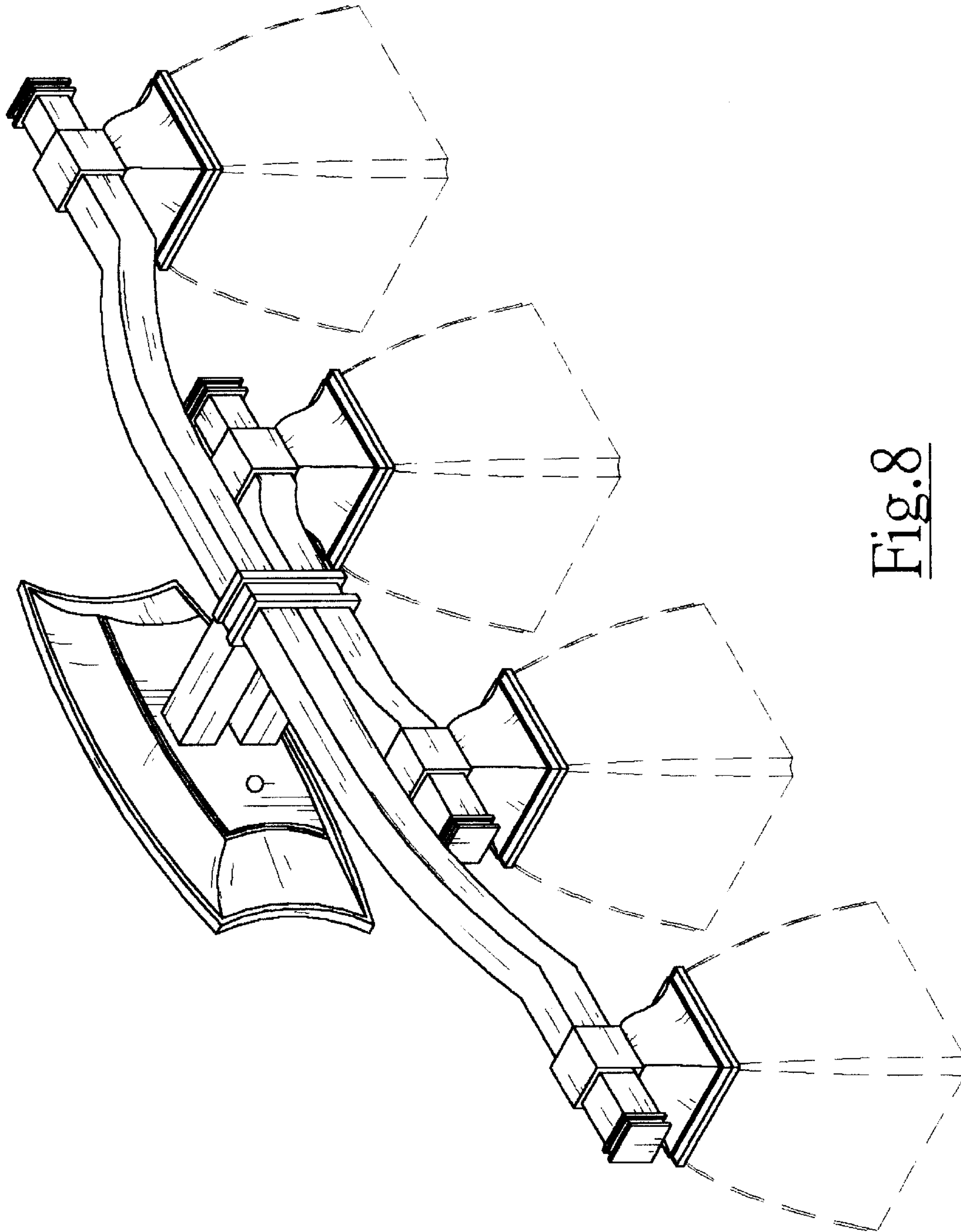


Fig. 8

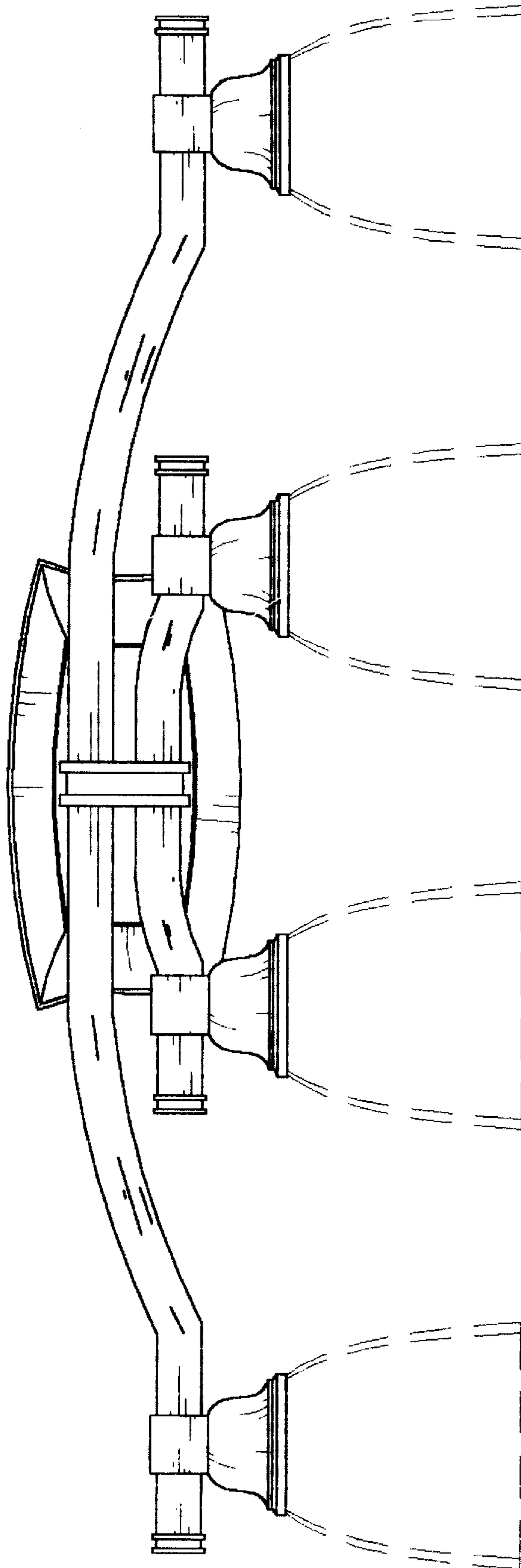


Fig. 9



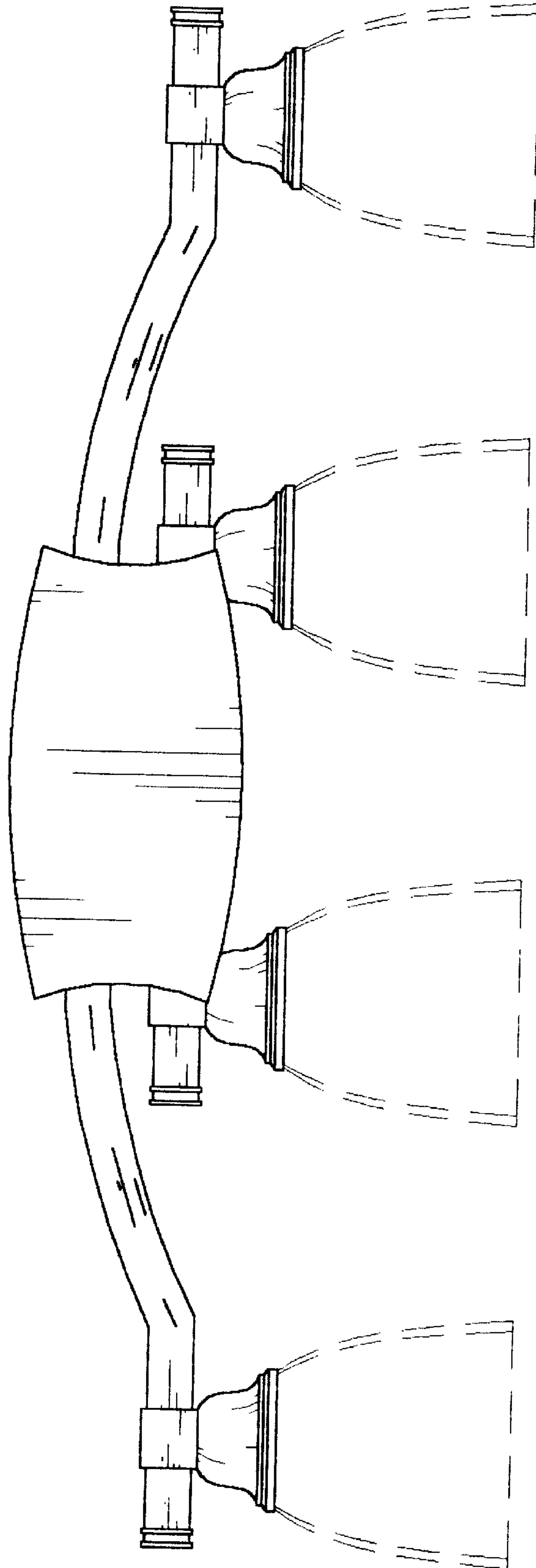


Fig. 10

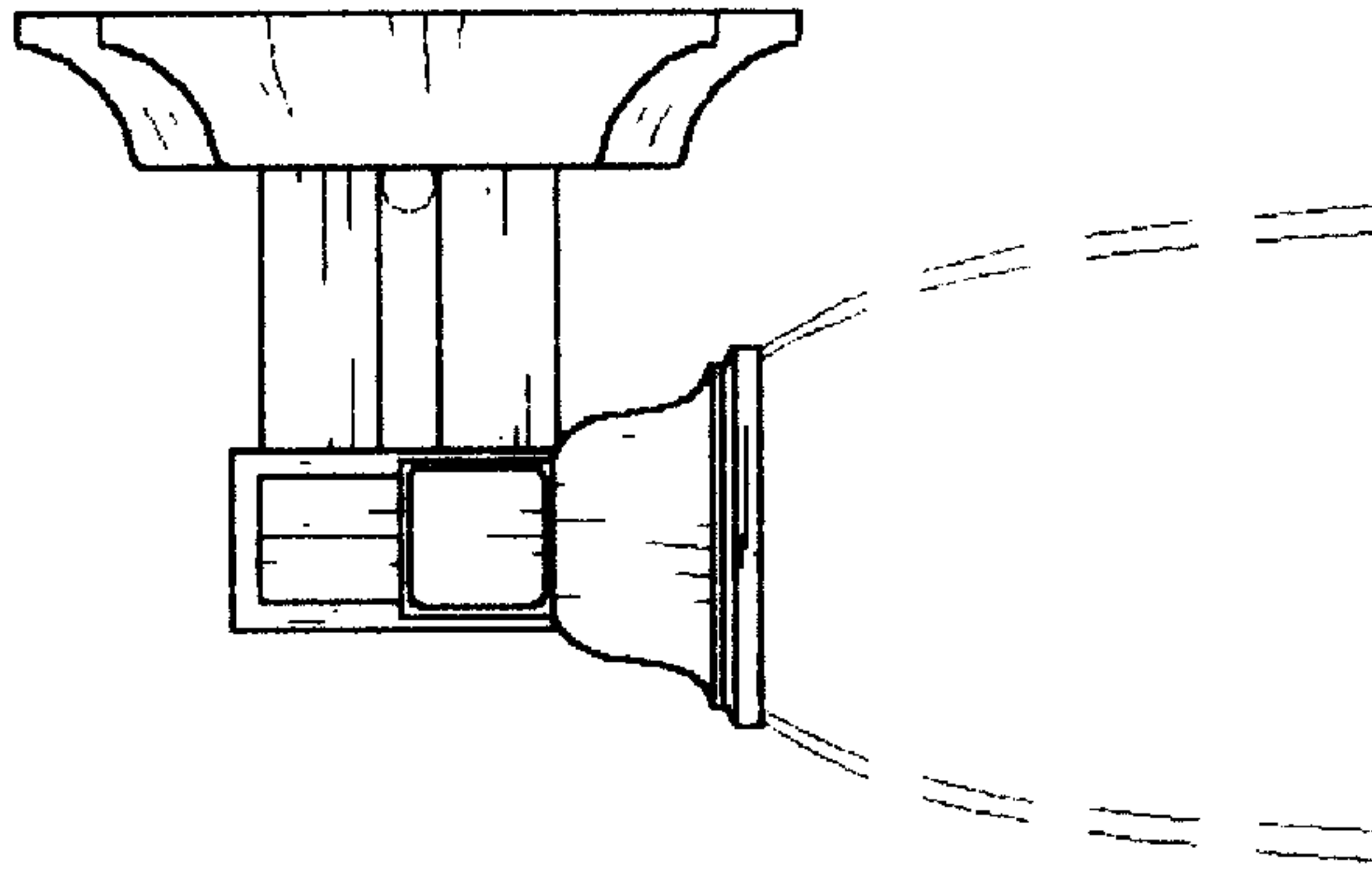


Fig.12

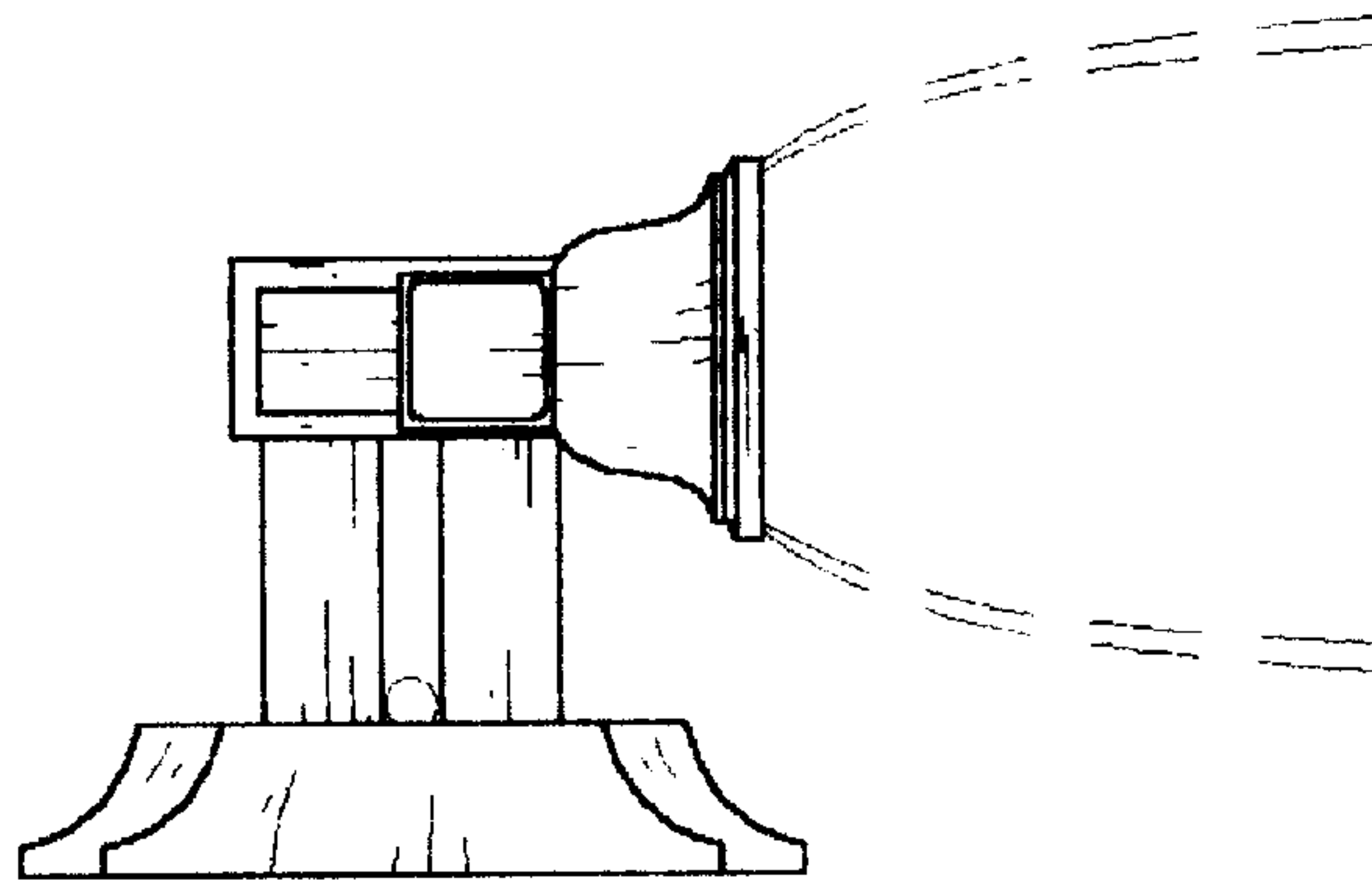


Fig.11

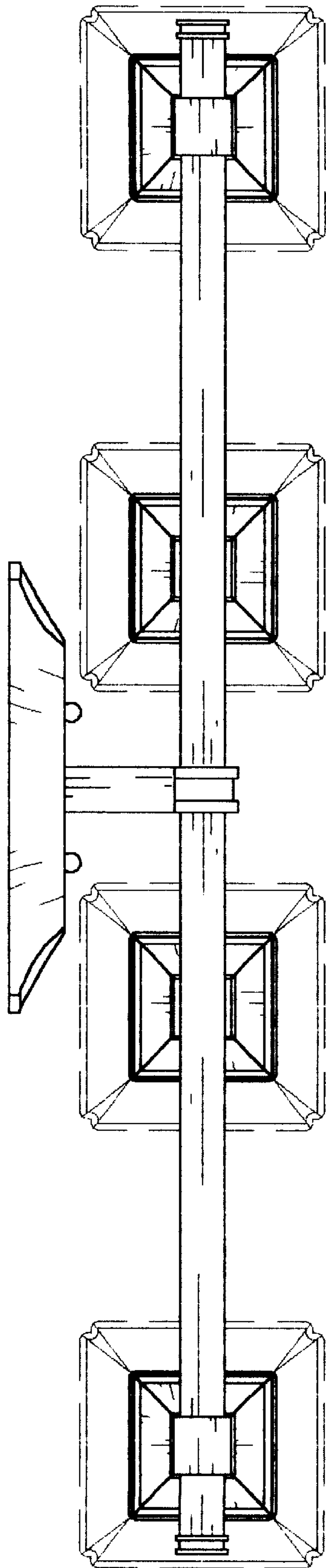


Fig.13

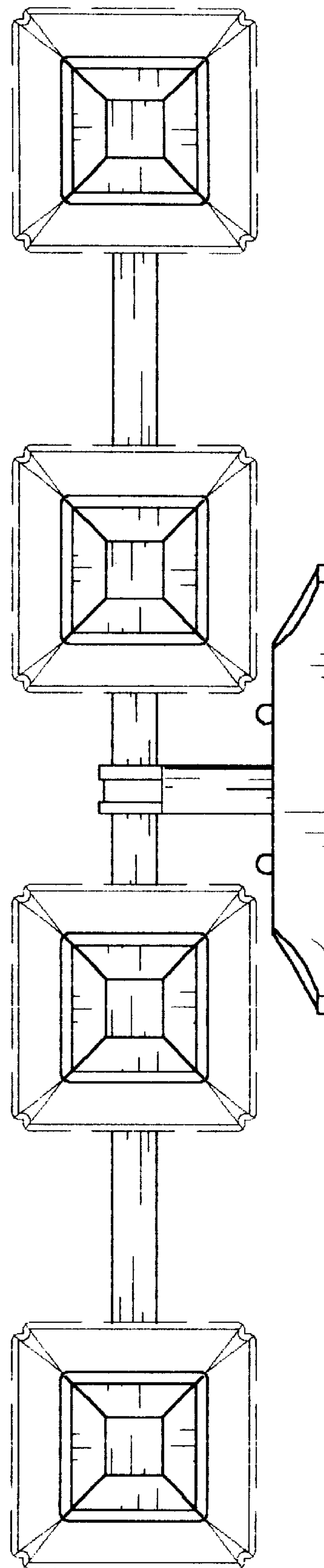


Fig.14