



US00D518589S

(12) **United States Design Patent**  
**Harbaugh**

(10) **Patent No.:** **US D518,589 S**

(45) **Date of Patent:** **\*\* Apr. 4, 2006**

(54) **LIGHT FIXTURE**

D483,138 S \* 12/2003 Chen ..... D26/67

(76) Inventor: **Kenneth A. Harbaugh**, 9886  
Riverwood Ct., Douglasville, GA (US)  
30135

(\*\*) Term: **14 Years**

(21) Appl. No.: **29/226,213**

(22) Filed: **Mar. 24, 2005**

(51) **LOC (8) Cl.** ..... **26-05**

(52) **U.S. Cl.** ..... **D26/68**

(58) **Field of Classification Search** ..... D26/67-71;  
362/153, 153.1, 183-185, 362, 363, 431,  
362/805

See application file for complete search history.

(56) **References Cited**

**U.S. PATENT DOCUMENTS**

- D87,483 S \* 8/1932 Del Purgatorio ..... D26/110
- D199,409 S \* 10/1964 Von Steenhoven ..... D26/67
- 3,521,048 A \* 7/1970 Fowler ..... 362/330
- D309,787 S \* 8/1990 Chien ..... D26/67
- D309,954 S \* 8/1990 Chien ..... D26/67
- D445,937 S \* 7/2001 Sanoner ..... D26/68

**OTHER PUBLICATIONS**

Garden Solar Light #'s 229 and 230. Found online at nbhangshun.com on /25/05.\*

Solar Garden Lamp found online at hangshun.en.alibaba.com on Aug. 25, 2005.\*

\* cited by examiner

*Primary Examiner*—Clare E Heflin

(74) *Attorney, Agent, or Firm*—Kilpatrick Stockton LLP

(57) **CLAIM**

The ornamental design for a light fixture, substantially as shown and described.

**DESCRIPTION**

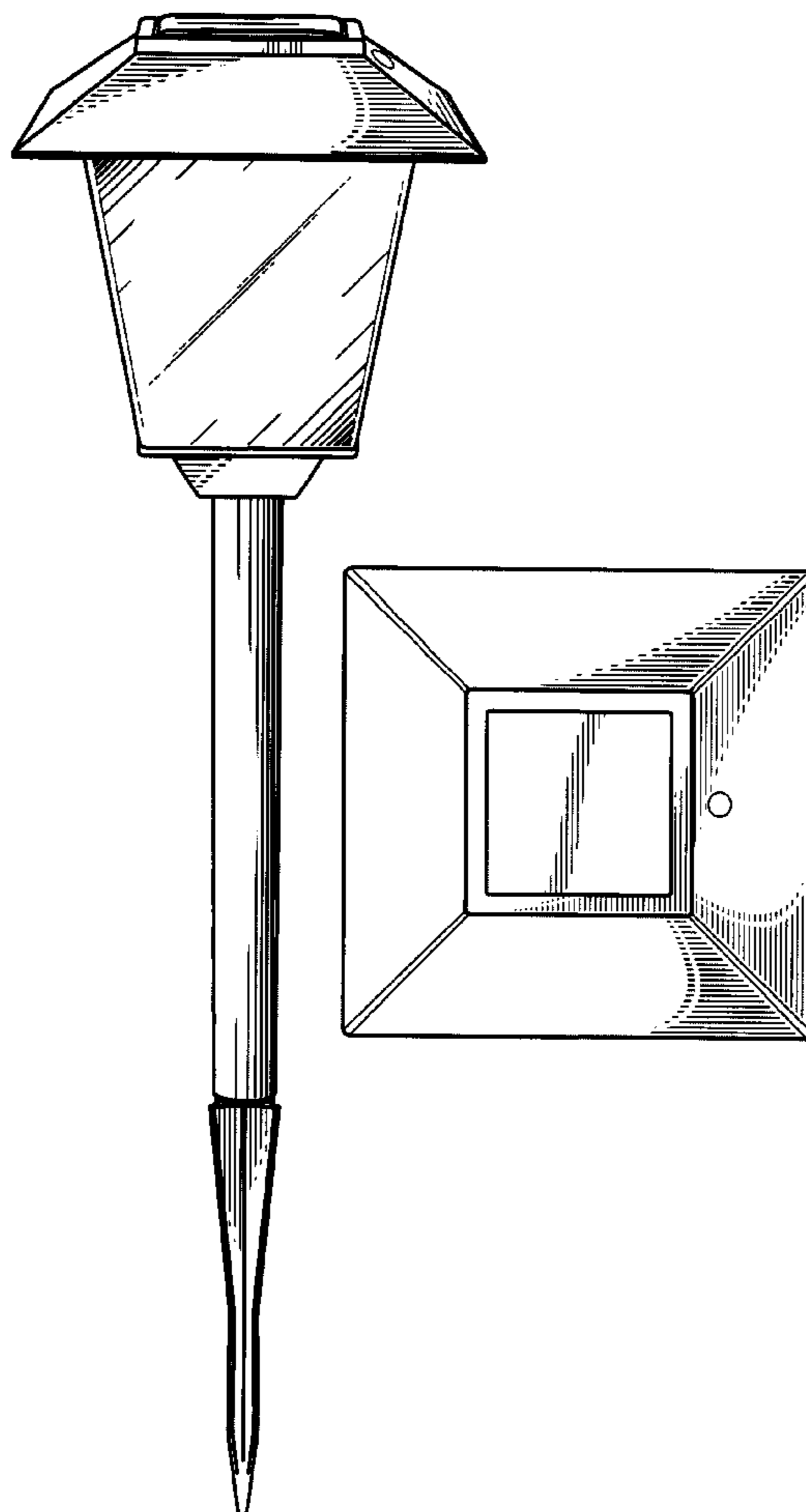
FIG. 1 is a perspective view showing the light fixture; FIG. 2 is a front view thereof, the rear and light side views being the same;

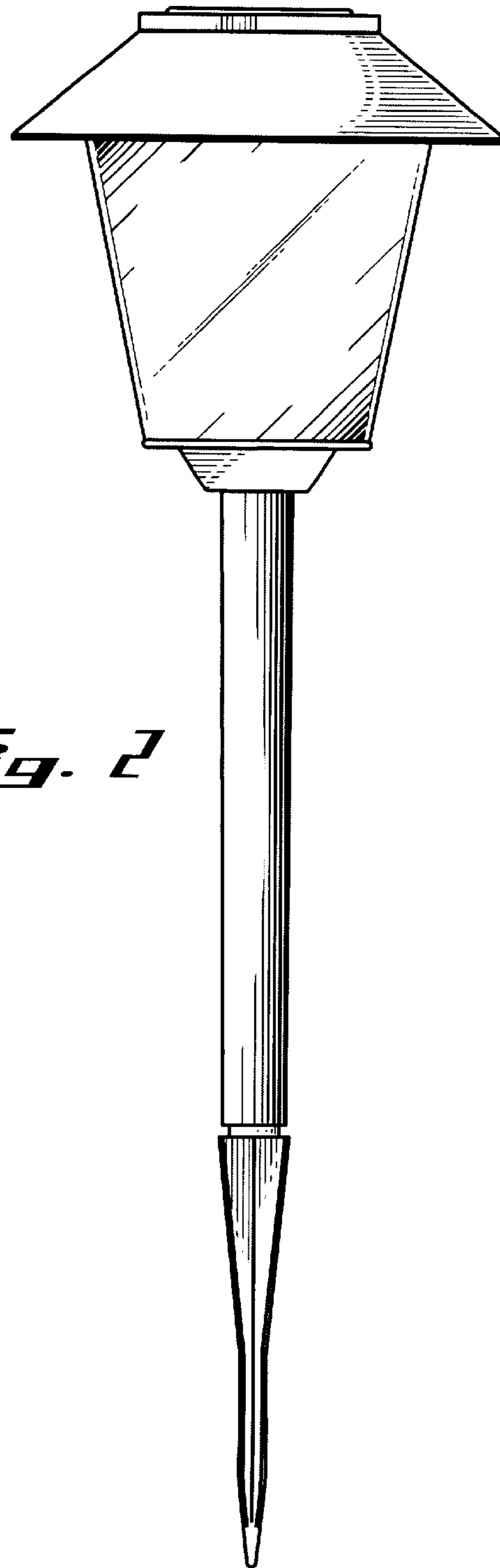
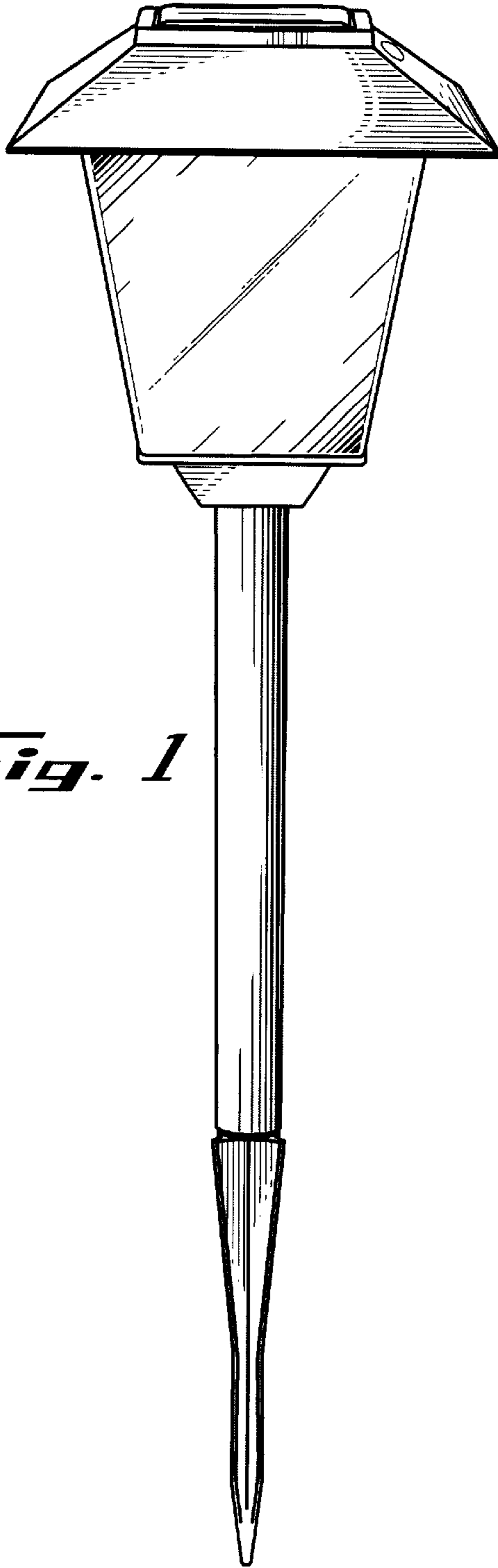
FIG. 3 is a right side view thereof;

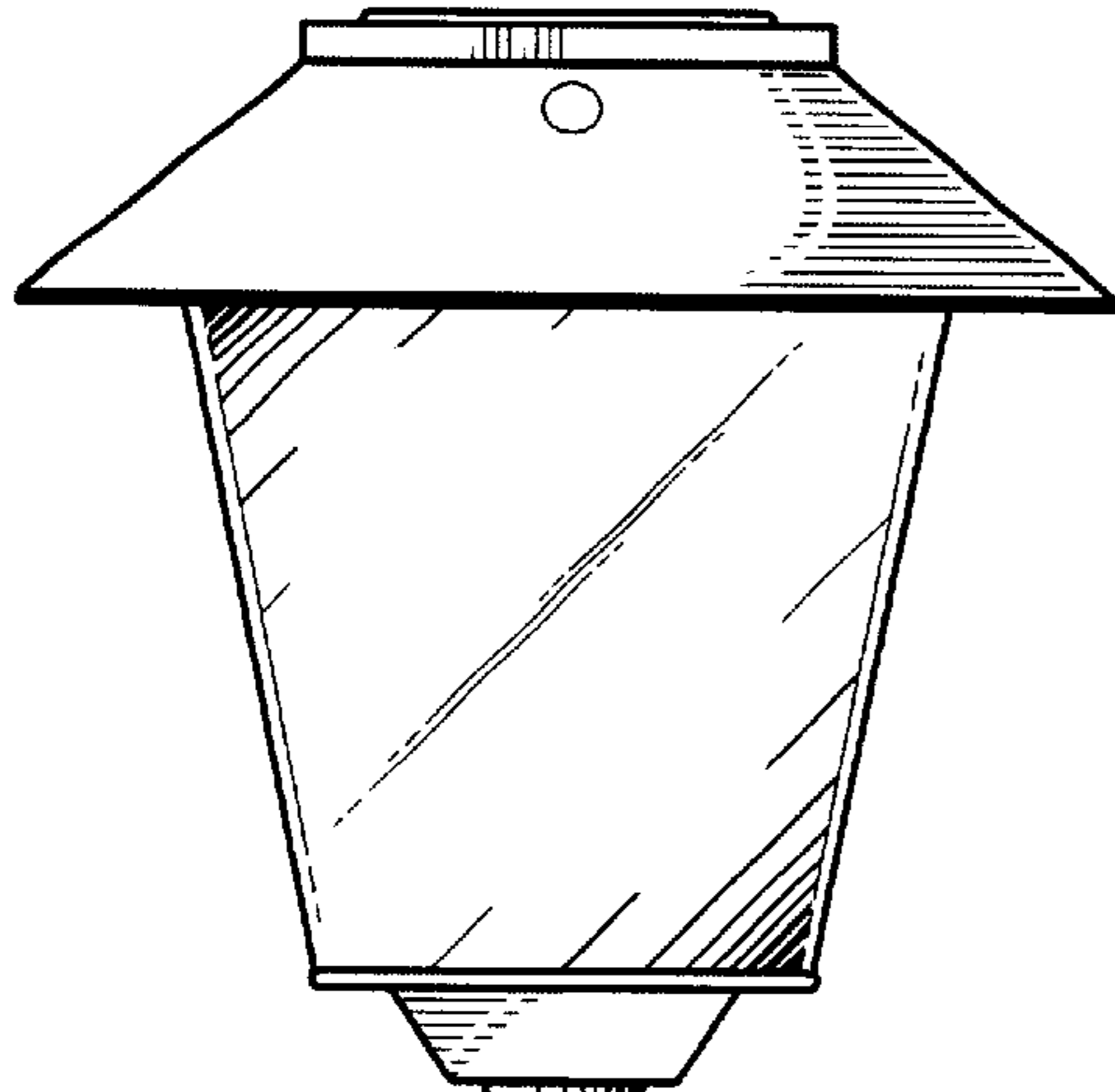
FIG. 4 is a top view thereof; and,

FIG. 5 is a bottom view thereof.

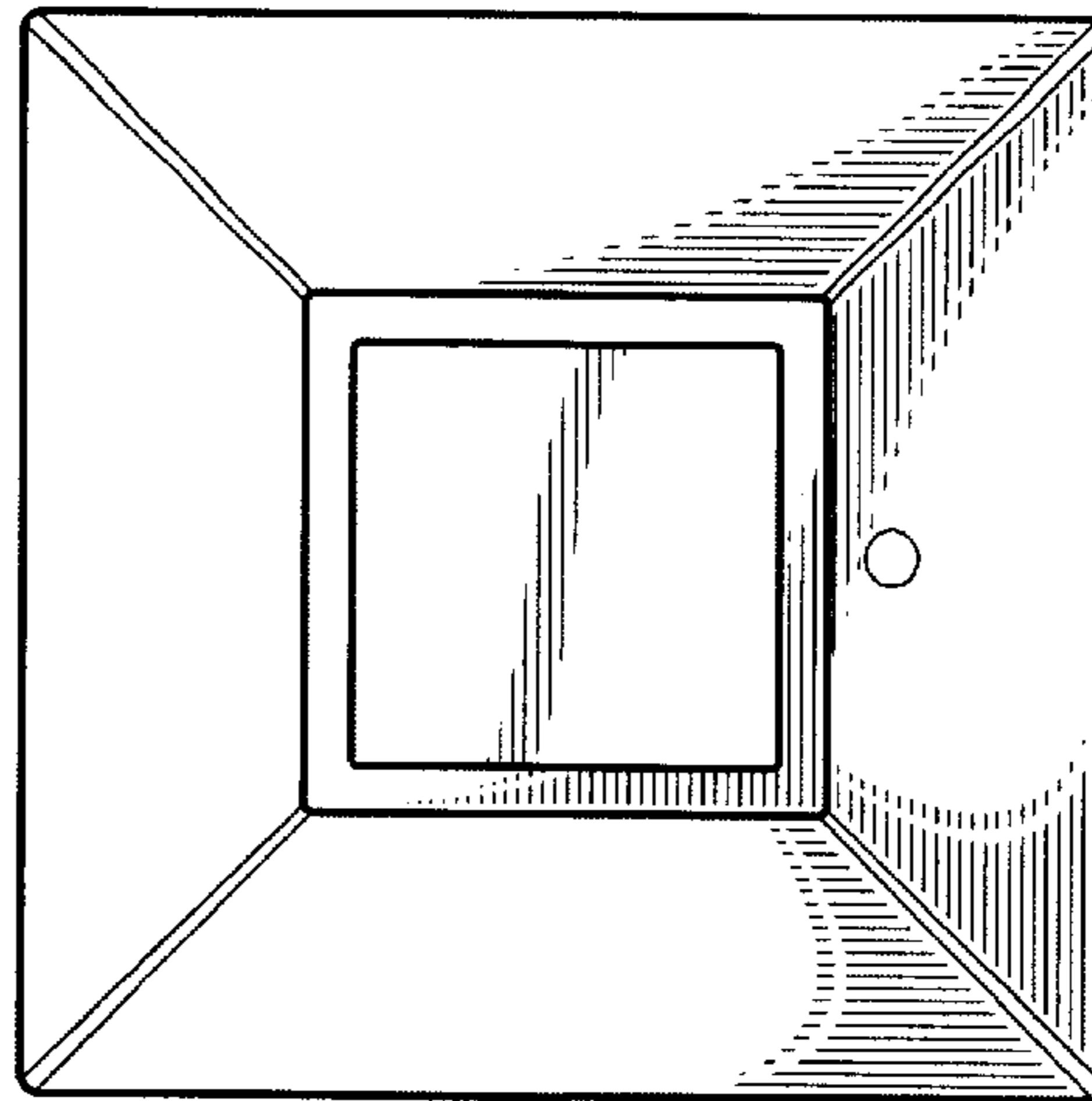
**1 Claim, 2 Drawing Sheets**



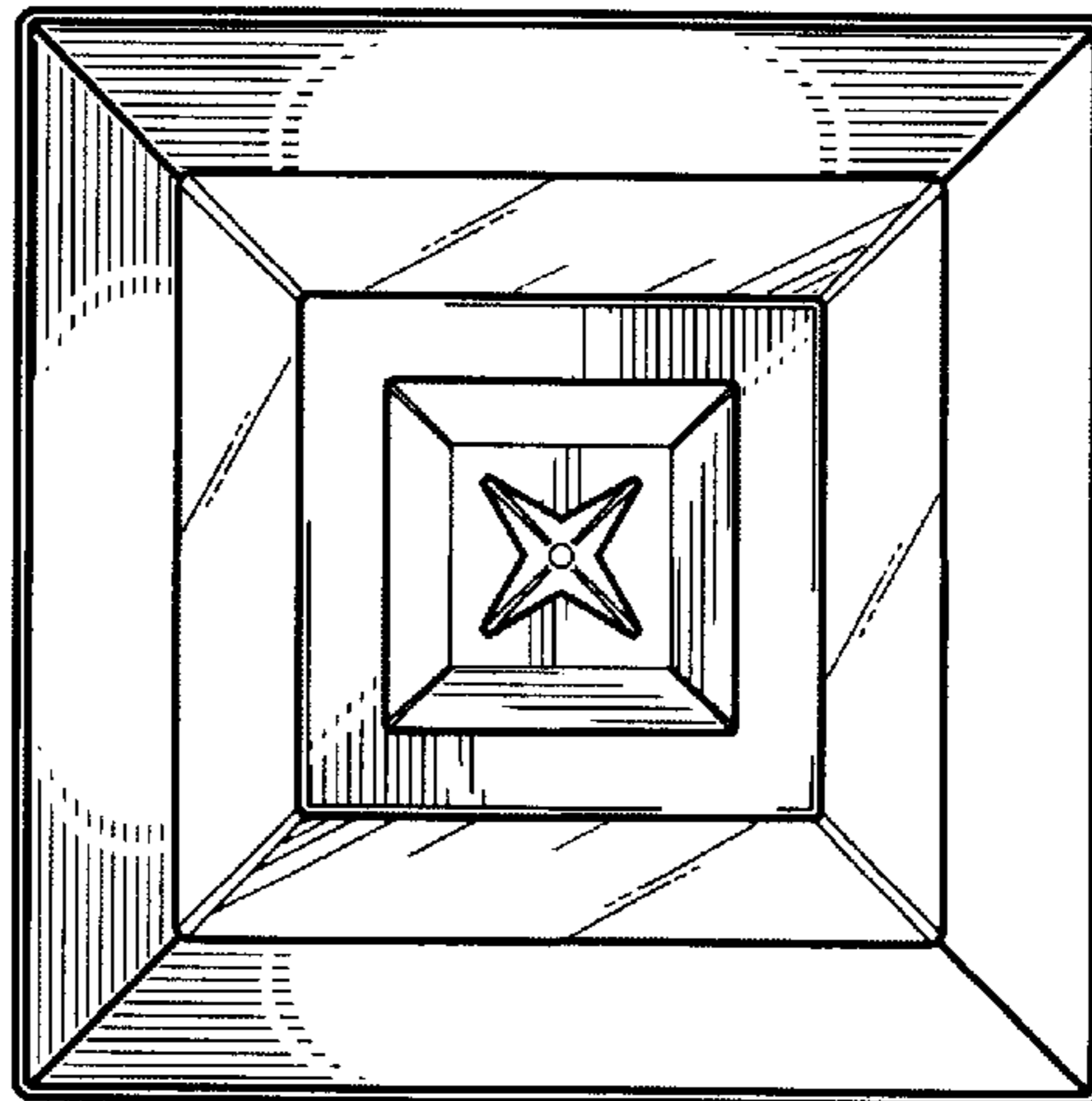




*Fig. 3*



*Fig. 4*



*Fig. 5*