



US00D518588S

(12) **United States Design Patent**
Sooferian

(10) **Patent No.:** **US D518,588 S**

(45) **Date of Patent:** **** Apr. 4, 2006**

(54) **EXTENDED ARM SOLAR LAMP**

(76) **Inventor:** **Danny H. Sooferian**, 425-I Constitution Ave., Camarillo, CA (US) 93012

(**) **Term:** **14 Years**

(21) **Appl. No.:** **29/226,814**

(22) **Filed:** **Apr. 1, 2005**

(51) **LOC (8) Cl.** **26-05**

(52) **U.S. Cl.** **D26/67; D26/71**

(58) **Field of Classification Search** D26/67-71,
D26/85; 362/153, 153.1, 183-185, 362, 363,
362/431, 805

See application file for complete search history.

(56) **References Cited**

U.S. PATENT DOCUMENTS

D42,688 S	*	7/1912	Grelle	D26/68
D49,331 S	*	7/1916	Evans	D26/134
D423,131 S	*	4/2000	Giese et al.	D26/68
D423,708 S	*	4/2000	Giese et al.	D26/68
D456,092 S	*	4/2002	Ewing et al.	D26/67
D456,936 S	*	5/2002	Hsu	D26/87
D487,526 S	*	3/2004	Hsu	D26/67
D500,158 S	*	12/2004	Chen	D26/67

OTHER PUBLICATIONS

Solar Garden Lamp from Ningbo Hangshun Electrical Co., Ltd. . Found online at hangshun.en.alibaba.com on Aug. 25, 2005.*

* cited by examiner

Primary Examiner—Clare E Hefflin

(74) *Attorney, Agent, or Firm*—Colin P. Abrahams

(57) **CLAIM**

The ornamental design for a extended arm solar lamp, as shown.

DESCRIPTION

FIG. 1 is a left side view of the extended arm solar lamp of my new design;

FIG. 2 is a front view of the extended arm solar lamp shown in FIG. 1 of the drawings;

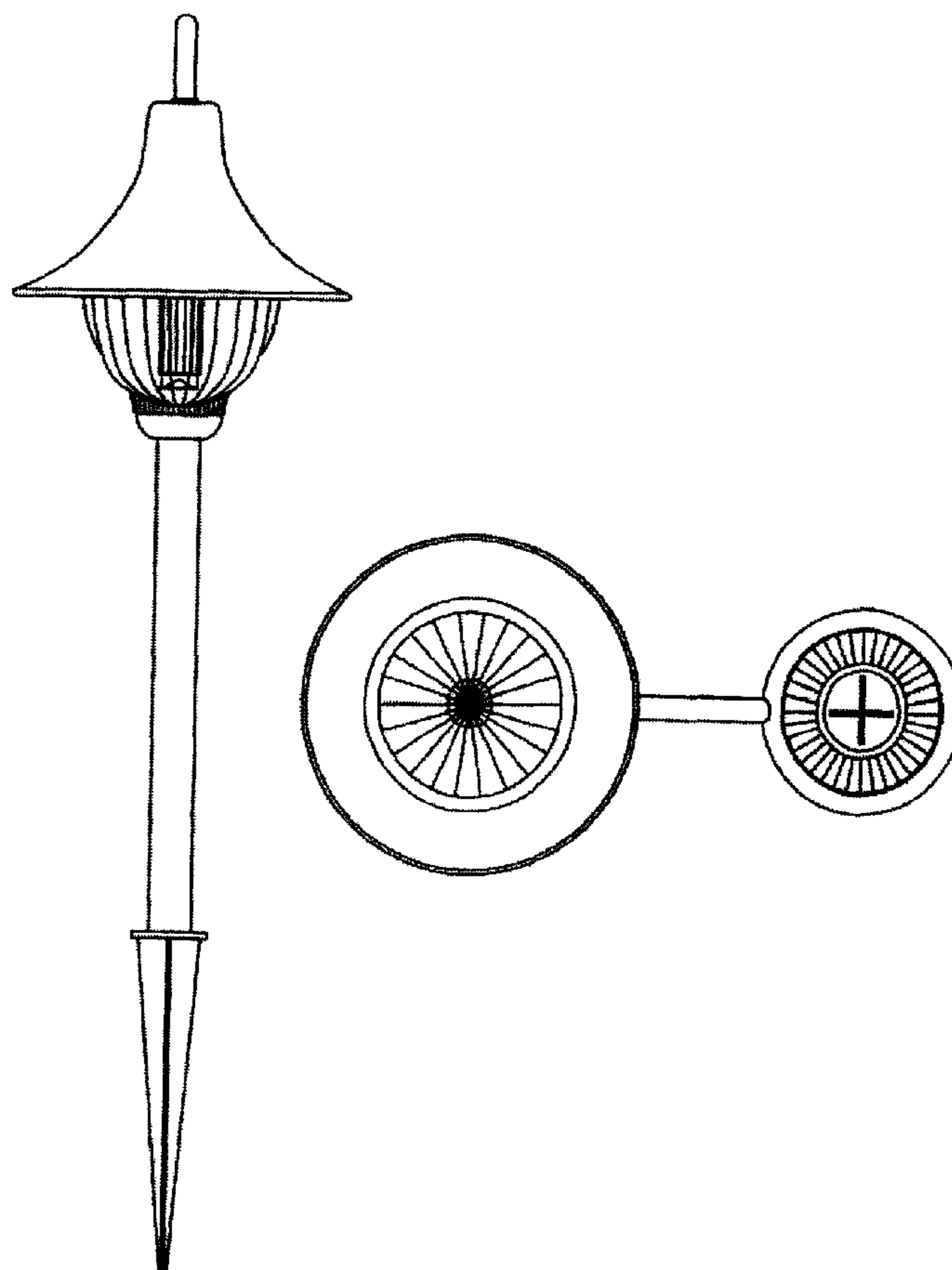
FIG. 3 is a right side view of the extended arm solar lamp shown in FIG. 1 of the drawings;

FIG. 4 is back view of the extended arm solar lamp shown in FIG. 1 of the drawings;

FIG. 5 is a top view of the extended arm solar lamp shown in FIG. 1 of the drawings; and,

FIG. 6 is a bottom view of the extended arm solar lamp shown in FIG. 1 of the drawings.

1 Claim, 1 Drawing Sheet



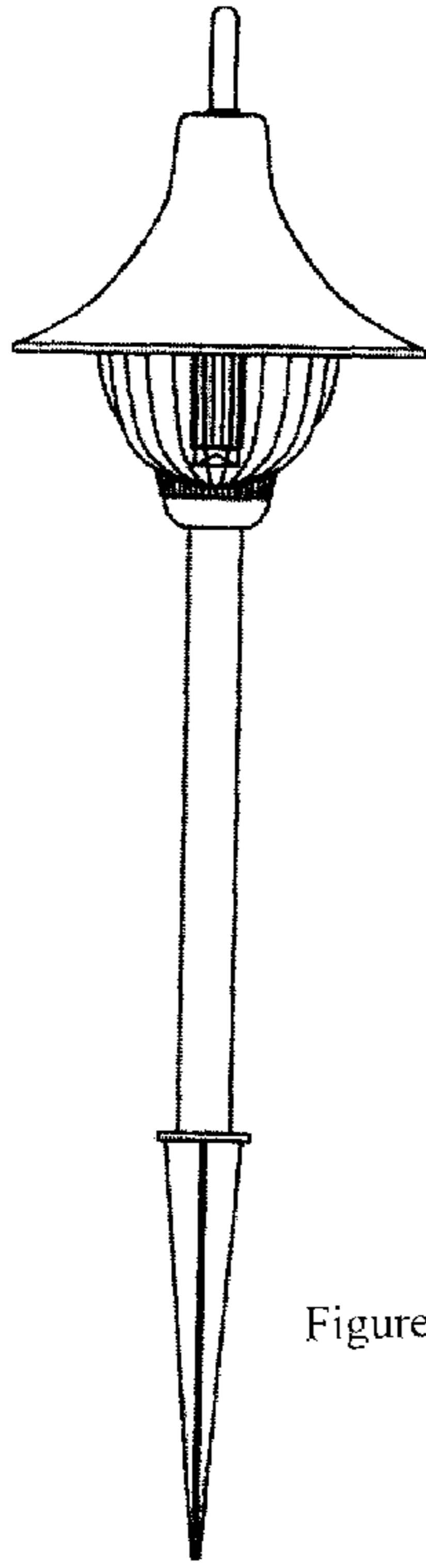


Figure 1

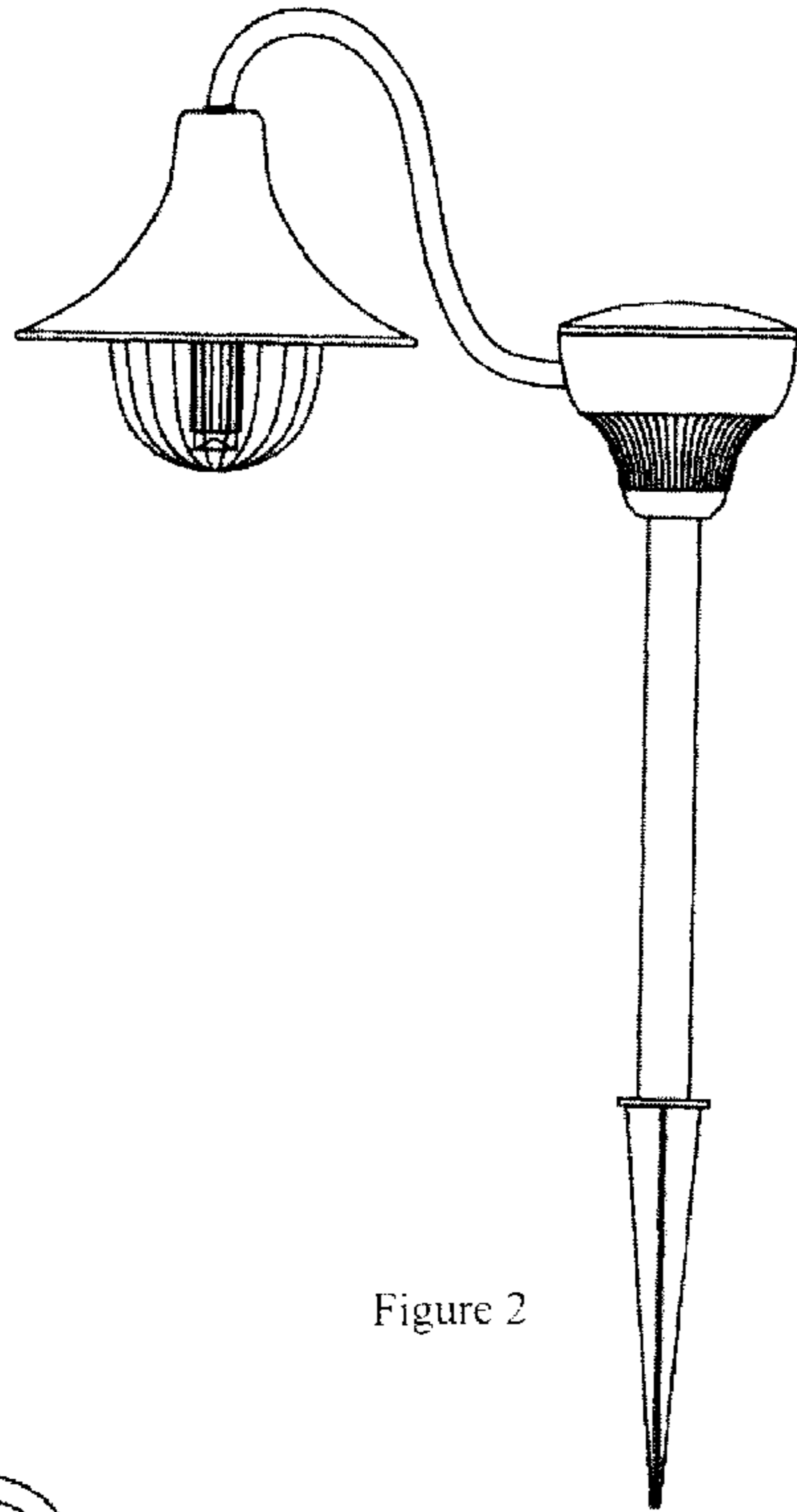


Figure 2

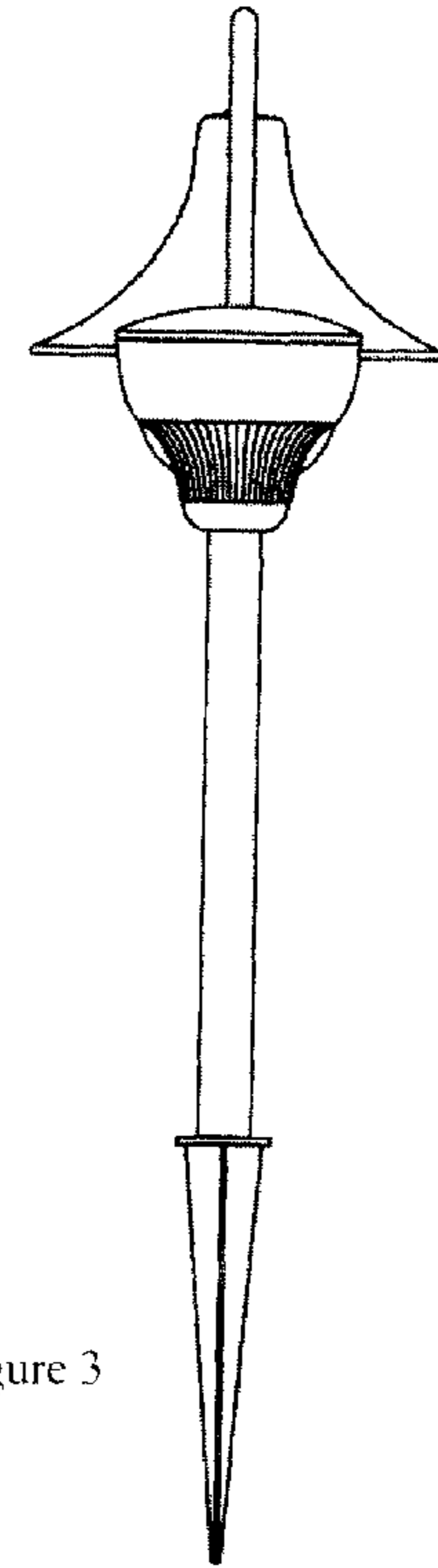


Figure 3

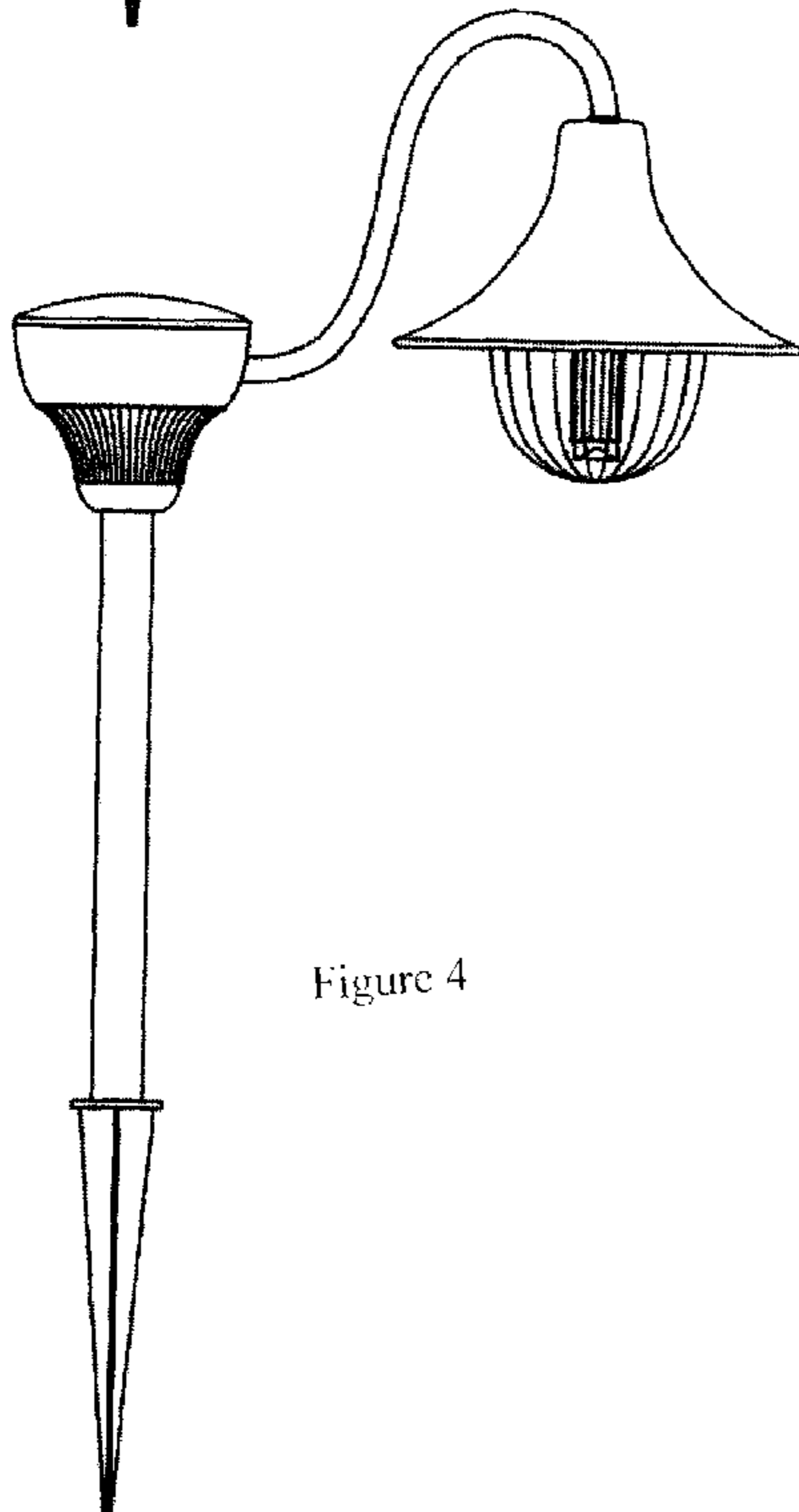


Figure 4

Figure 5

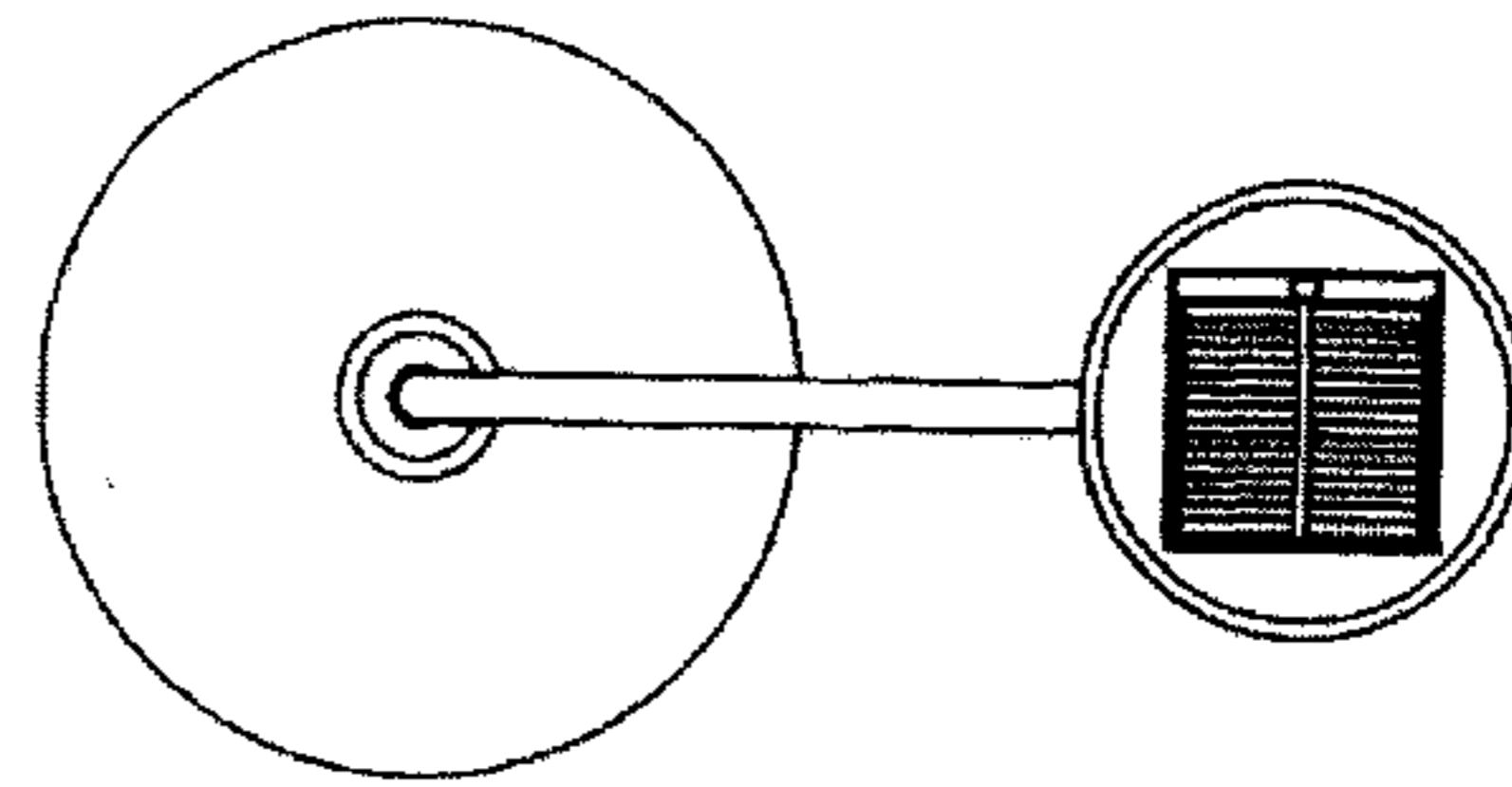


Figure 6

