



US00D518587S

(12) **United States Design Patent**
Rodriguez, Jr.

(10) **Patent No.:** **US D518,587 S**

(45) **Date of Patent:** **** Apr. 4, 2006**

(54) **GROUND MOUNTED COMBINATION YARD LIGHT COVER AND LENS**

D347,906 S * 6/1994 Dorick D26/67

FOREIGN PATENT DOCUMENTS

(76) Inventor: **Matias Rodriguez, Jr.**, 953 Amelith Rd., Freeland, MI (US) 48623

WO DM/065745 * 4/2004

* cited by examiner

(**) Term: **14 Years**

Primary Examiner—Clare E Heflin

(21) Appl. No.: **29/203,725**

(74) *Attorney, Agent, or Firm*—Reising, Ethington, Barnes, Kisselle, & Learman

(22) Filed: **Apr. 19, 2004**

(51) **LOC (8) Cl.** **26-05**

(52) **U.S. Cl.** **D26/67**

(58) **Field of Classification Search** D26/67-71,
D26/73, 118; 362/153, 153.1, 249, 353, 360,
362/431, 437, 806, 252, 410-414

See application file for complete search history.

(57) **CLAIM**

The ornamental design for a ground mounted combination yard light cover and lens, as shown and described.

DESCRIPTION

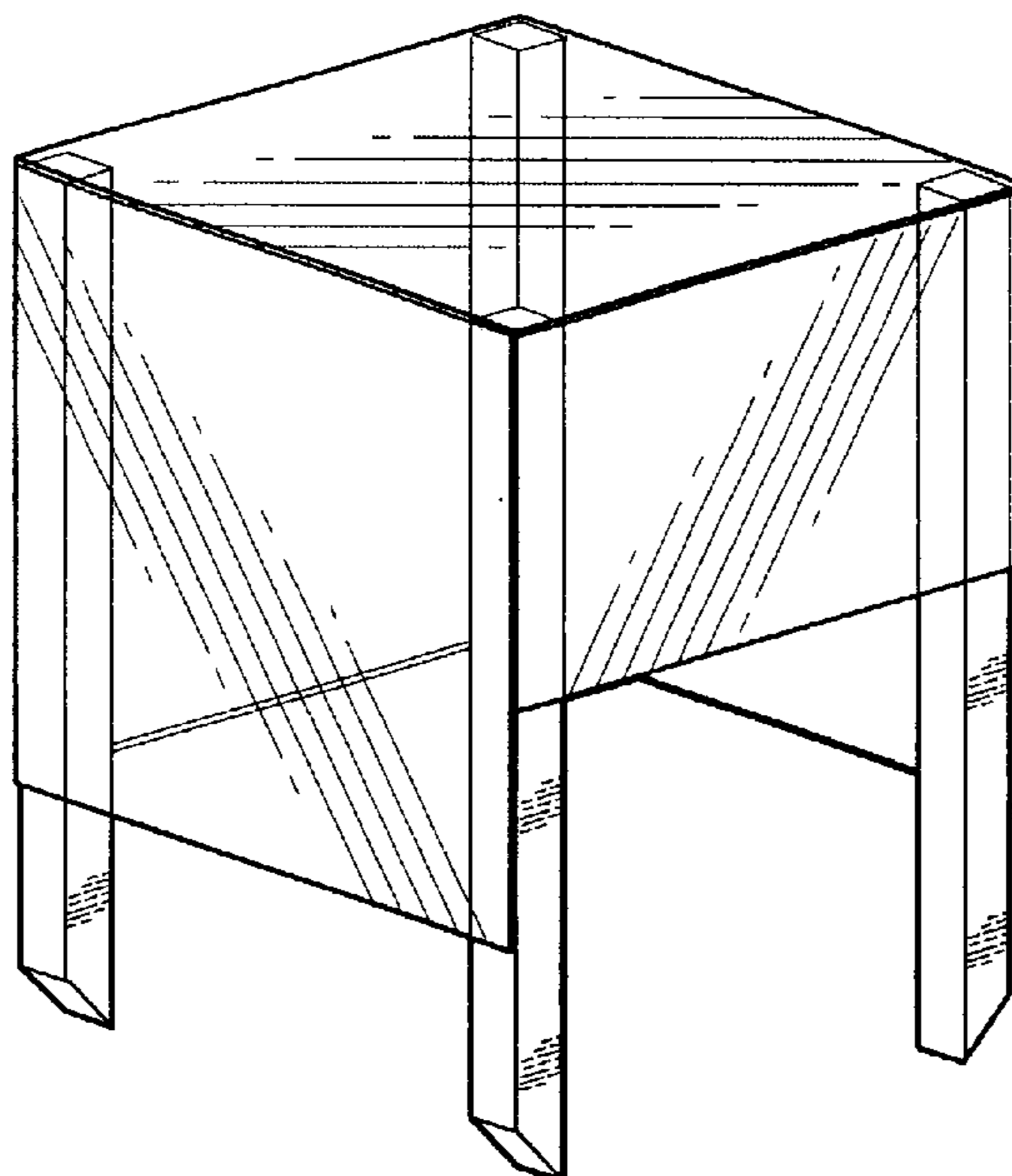
FIG. 1 is a perspective view of the light cover and lens;
FIG. 2 is a first side elevational view of the light cover and lens;
FIG. 3 is a rear elevational view of the light cover and lens;
FIG. 4 is a front elevational view of the light cover and lens;
FIG. 5 is a second side elevational view of the light cover and lens;
FIG. 6 is a top plan view of the light cover and lens; and,
FIG. 7 is a bottom plan view of the light cover and lens.

(56) **References Cited**

U.S. PATENT DOCUMENTS

- D211,277 S * 6/1968 Layton D26/67
- D221,585 S * 8/1971 Moore D26/67
- D234,969 S * 4/1975 Ervin D26/67
- D238,095 S * 12/1975 Ervin D26/67
- D244,875 S * 6/1977 Baca D26/105
- 5,034,868 A * 7/1991 Stelfox et al. 362/352

1 Claim, 2 Drawing Sheets



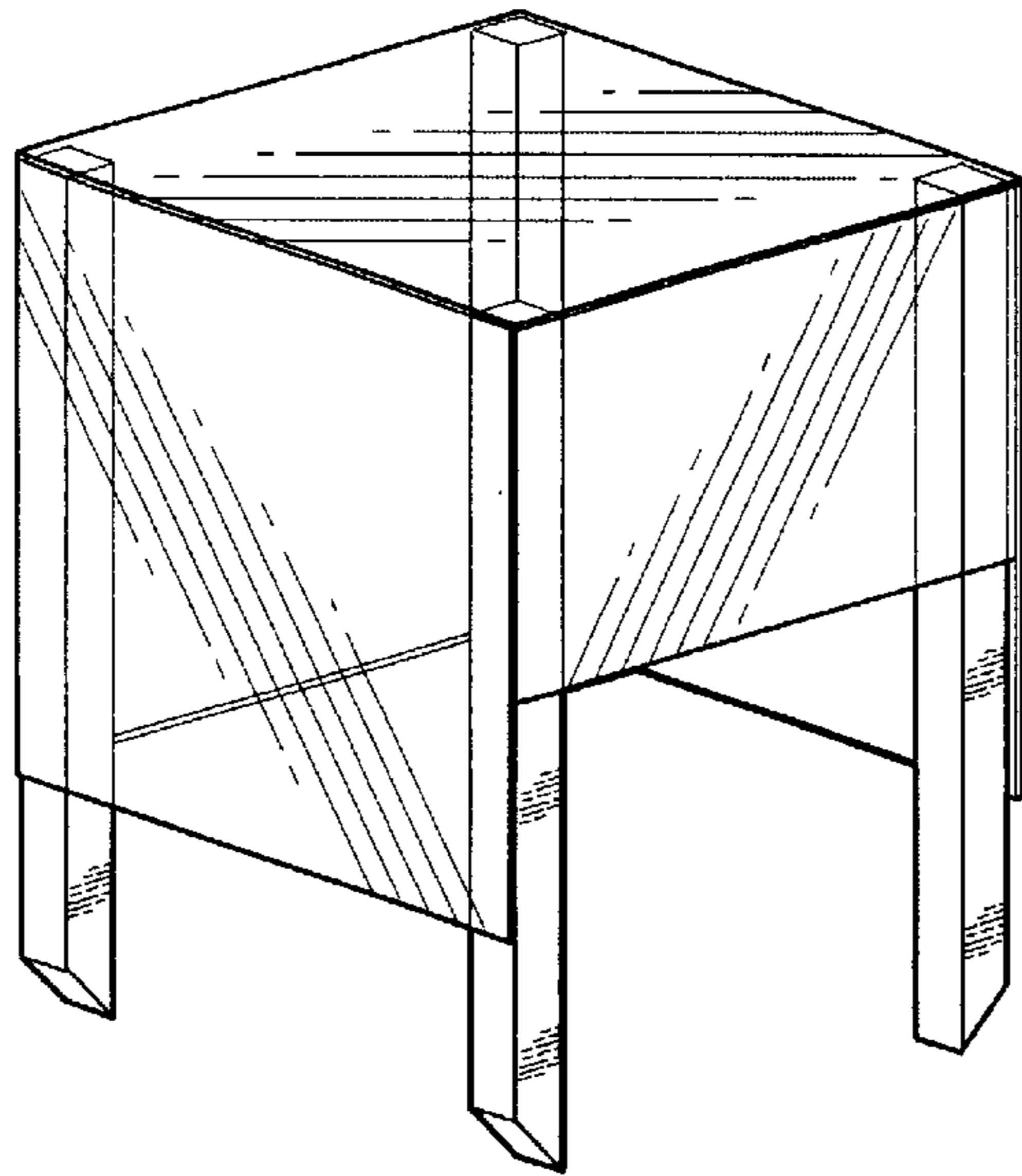


FIG - 1

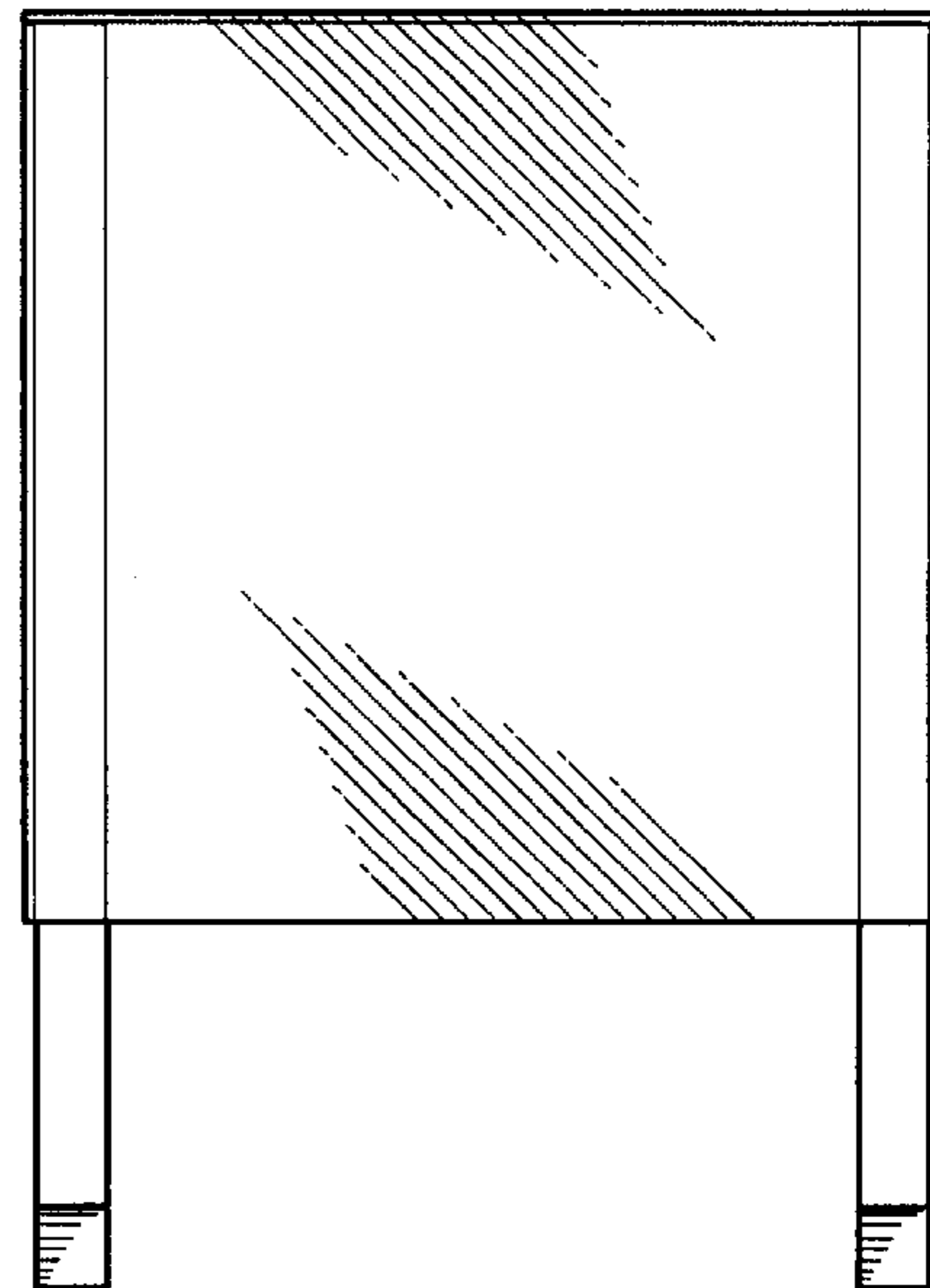


FIG - 2

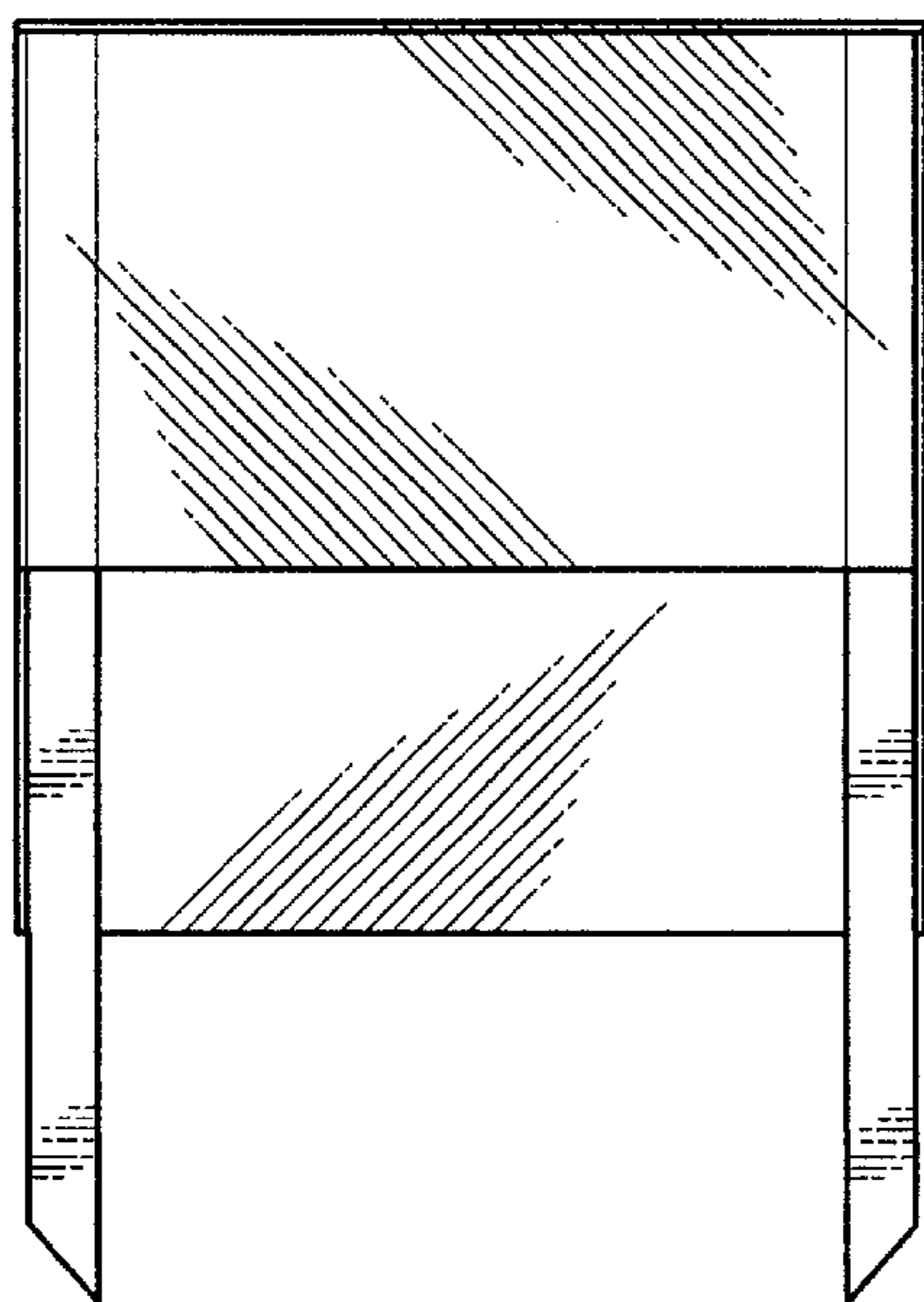


FIG - 3

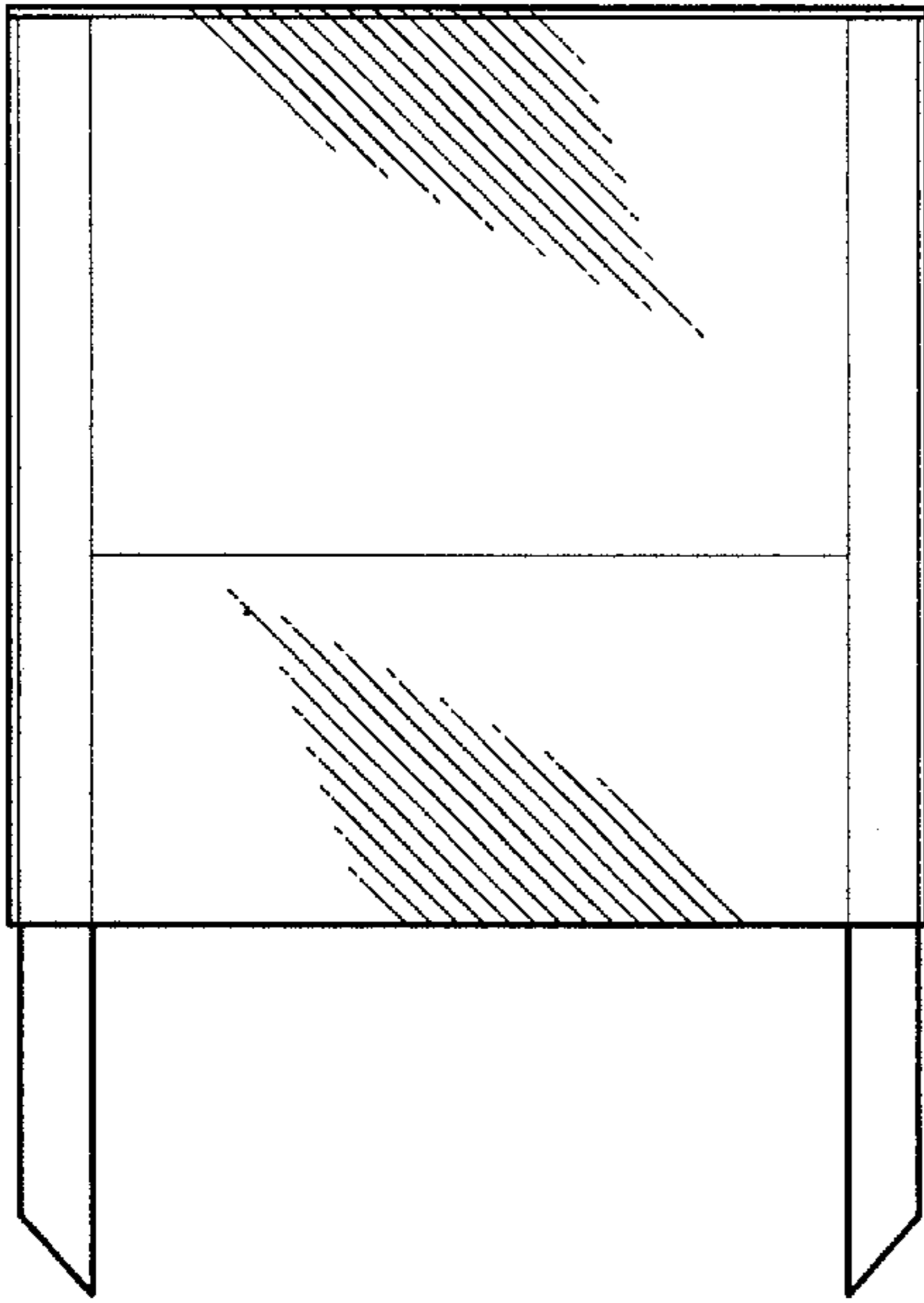


FIG - 4

FIG - 5

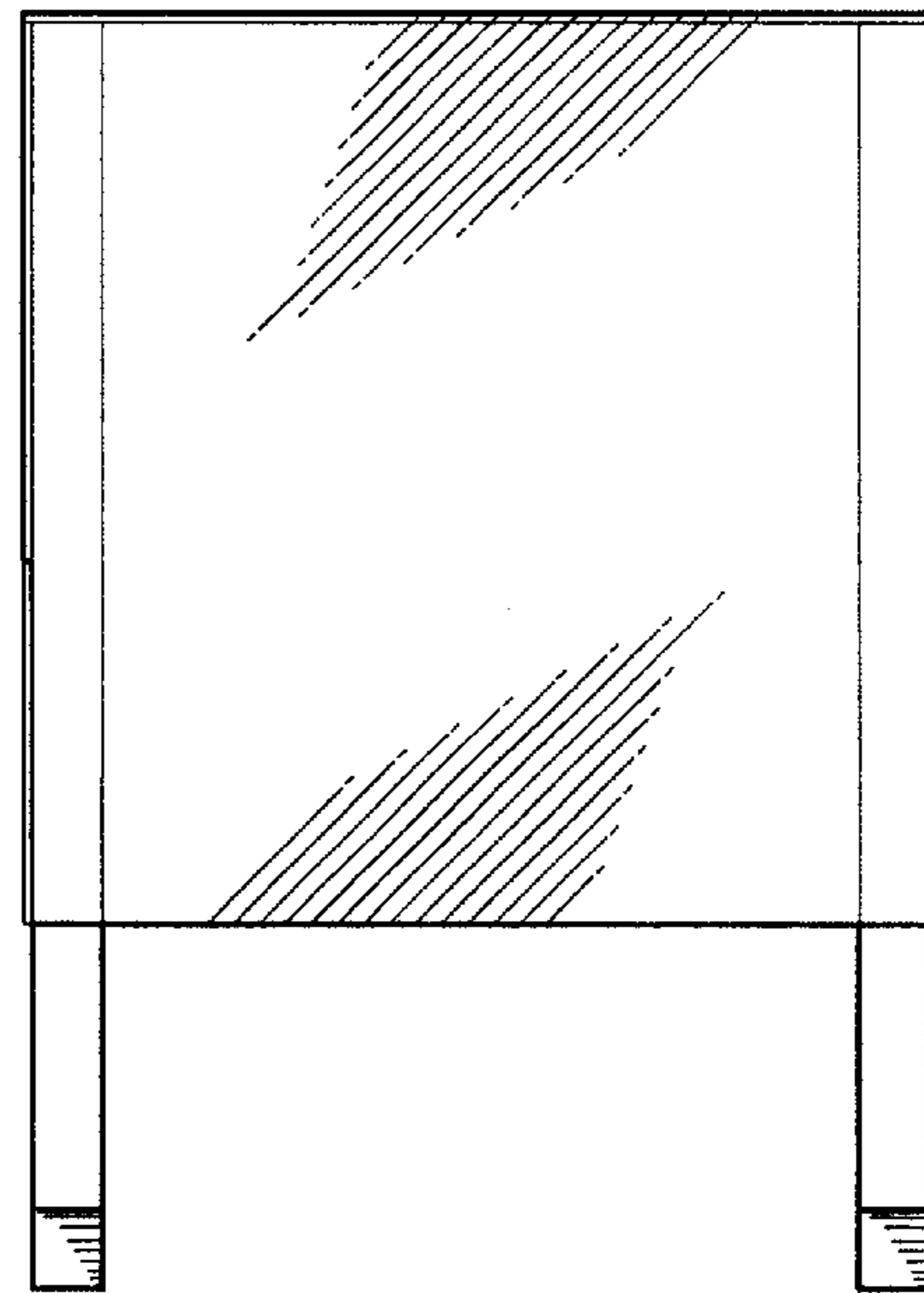


FIG - 6

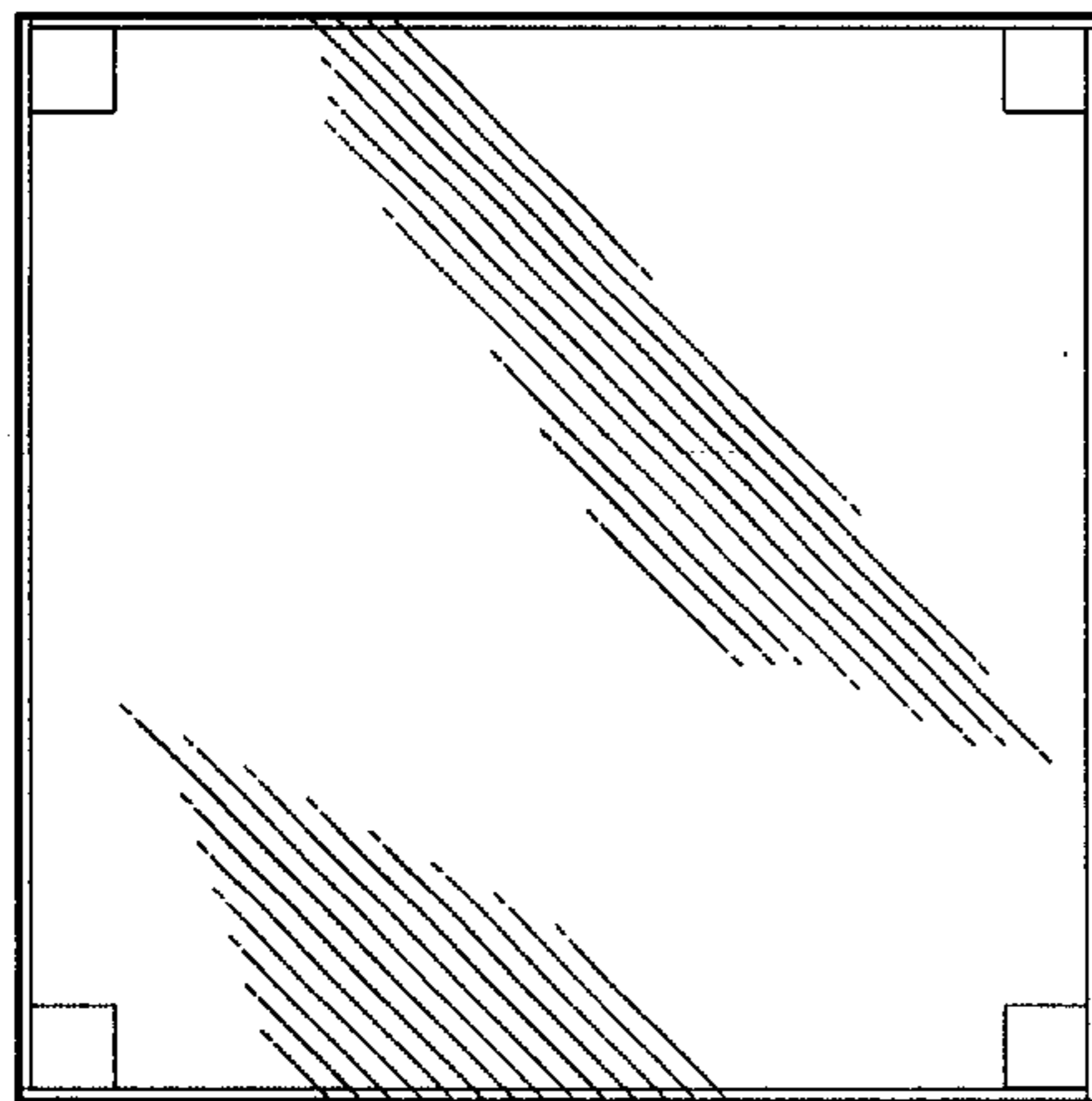


FIG - 7

