



US00D518585S

(12) **United States Design Patent**  
**Pickett**

(10) **Patent No.:** **US D518,585 S**

(45) **Date of Patent:** **\*\* Apr. 4, 2006**

(54) **CEILING FAN LIGHT FIXTURE**

(76) Inventor: **Mark Pickett**, 1419 E. Palm St.,  
Altadena, CA (US) 91001

(\*\*) Term: **14 Years**

(21) Appl. No.: **29/223,484**

(22) Filed: **Feb. 15, 2005**

(51) **LOC (8) Cl.** ..... **26-05**

(52) **U.S. Cl.** ..... **D26/59**

(58) **Field of Classification Search** ..... D26/59,  
D26/71, 72, 82-88; D23/377, 379, 385, 411;  
416/5; 392/364; 362/96

See application file for complete search history.

(56) **References Cited**

**U.S. PATENT DOCUMENTS**

D461,268 S \* 8/2002 Hsu ..... D26/86

D485,349 S \* 1/2004 Burns ..... D23/411

\* cited by examiner

*Primary Examiner*—Lisa Lichtenstein

(74) *Attorney, Agent, or Firm*—Parsons & Goltry; Michael  
W. Goltry; Robert A. Parsons

(57) **CLAIM**

The ornamental design for a ceiling fan light fixture, as  
shown and described.

**DESCRIPTION**

FIG. 1 is a bottom perspective view of a ceiling fan light  
fixture showing my new design;

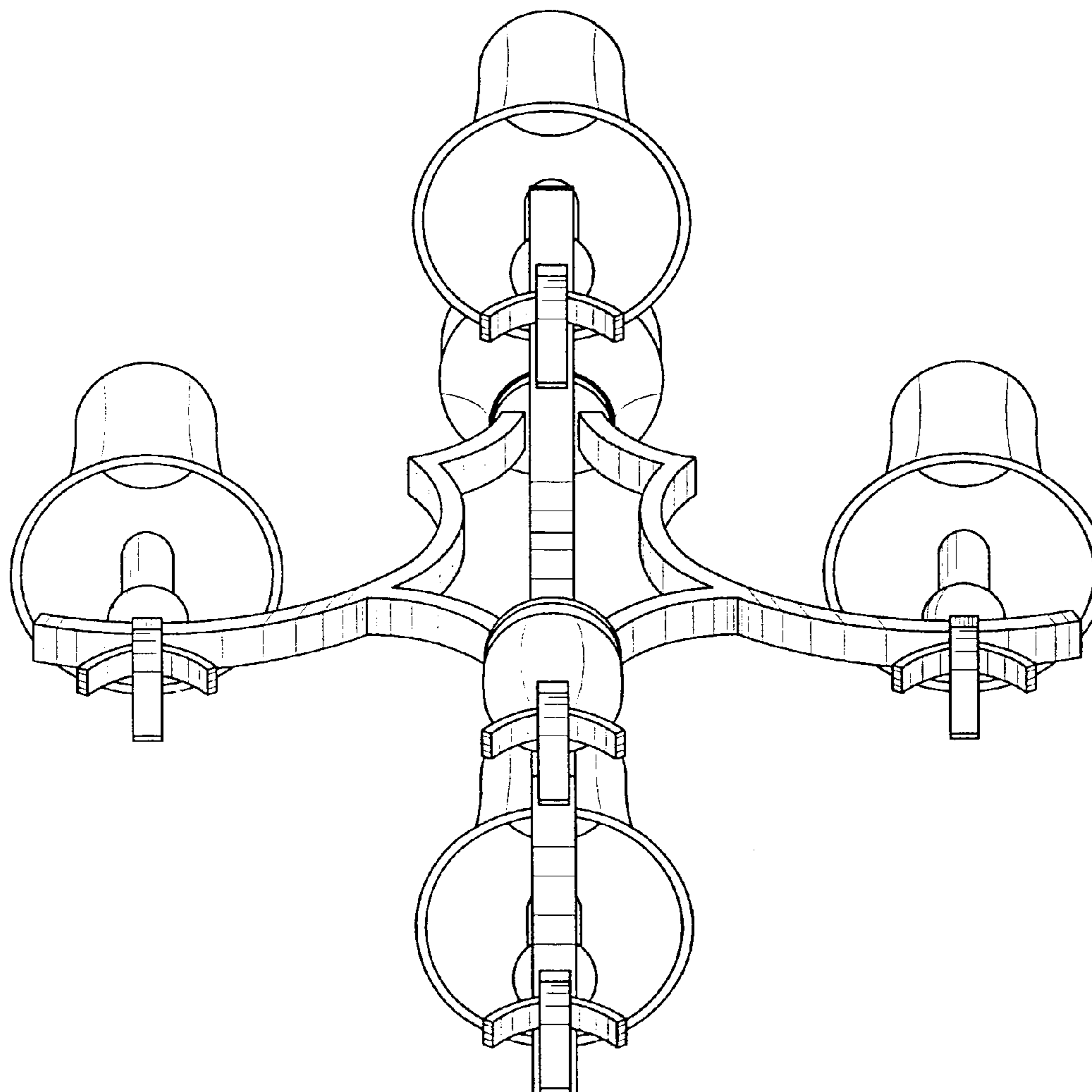
FIG. 2 is a top perspective view thereof;

FIG. 3 is a front elevational view thereof, the rear elevational  
view, the left side elevational view, and the right side  
elevational view being substantially the same thereof;

FIG. 4 is a bottom plan view thereof; and,

FIG. 5 is a top plan view thereof.

**1 Claim, 5 Drawing Sheets**



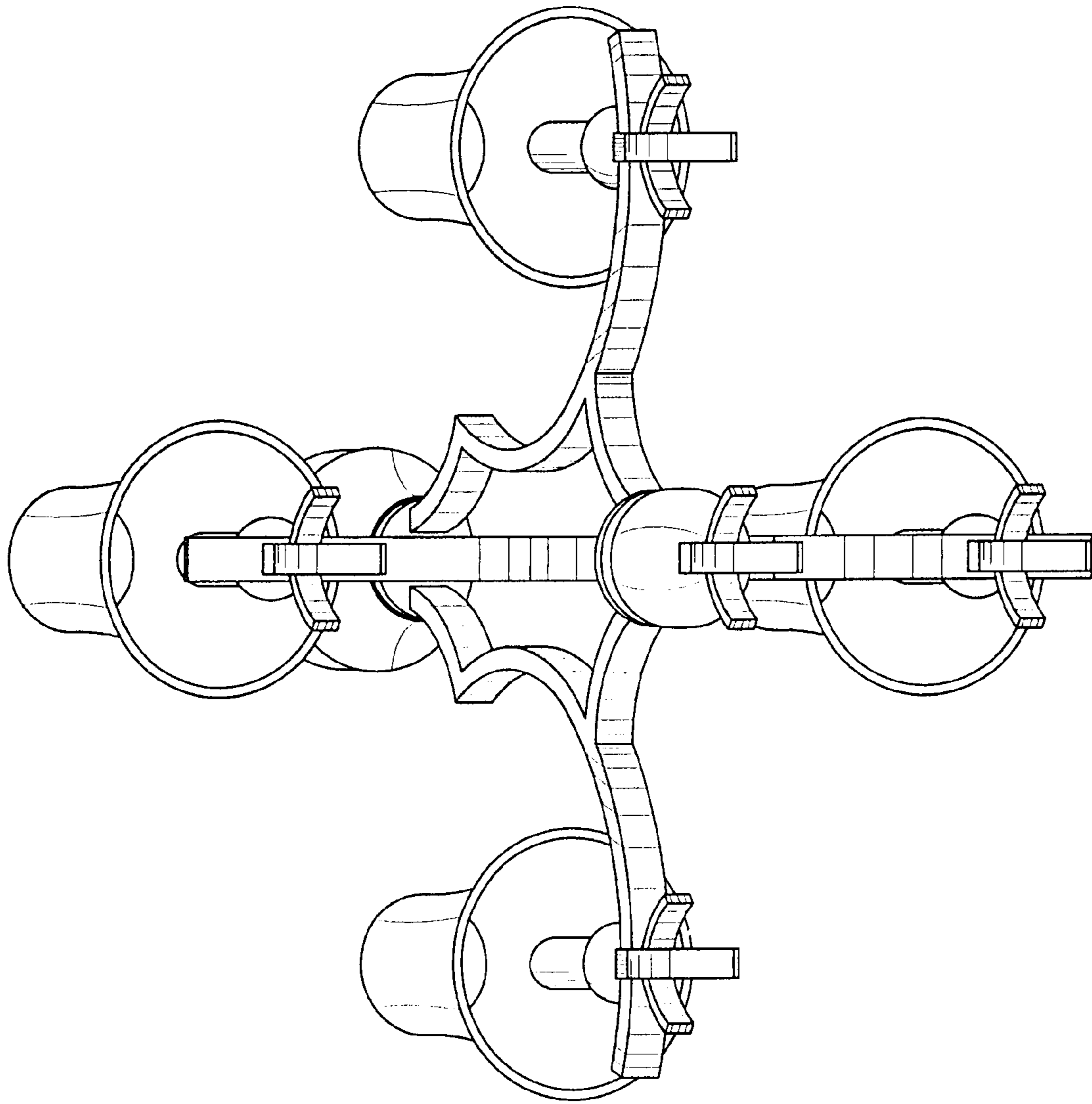
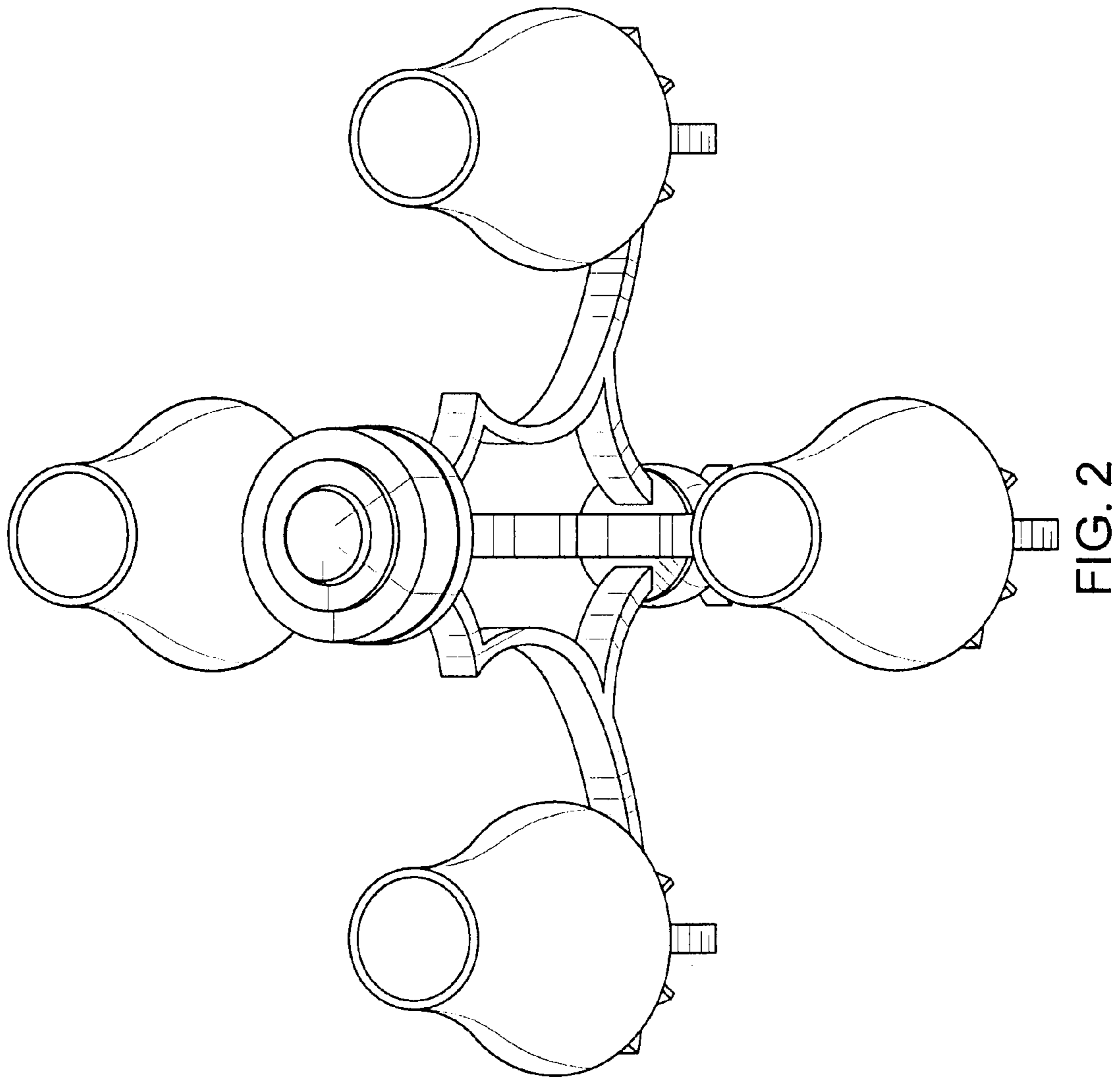


FIG. 1



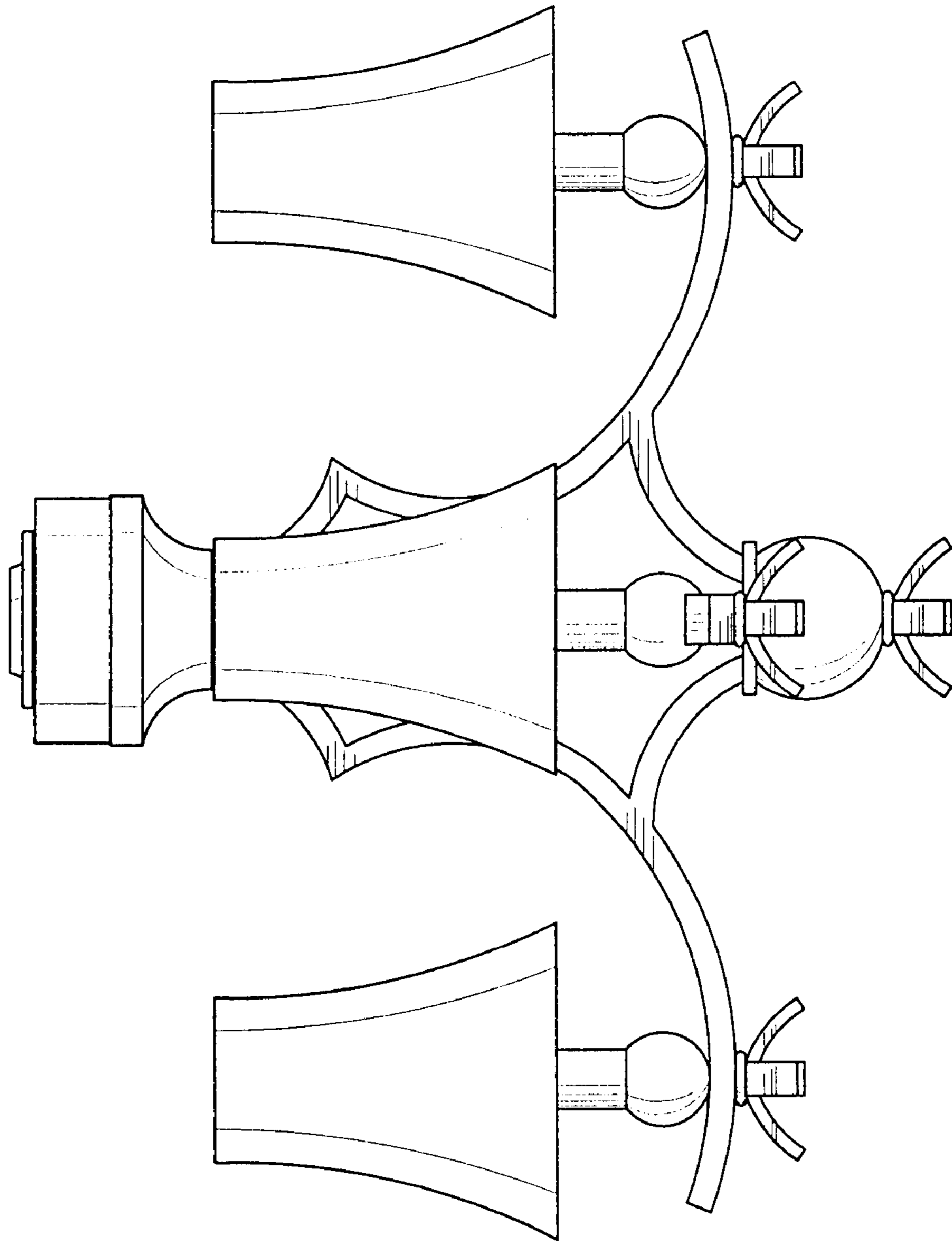


FIG. 3

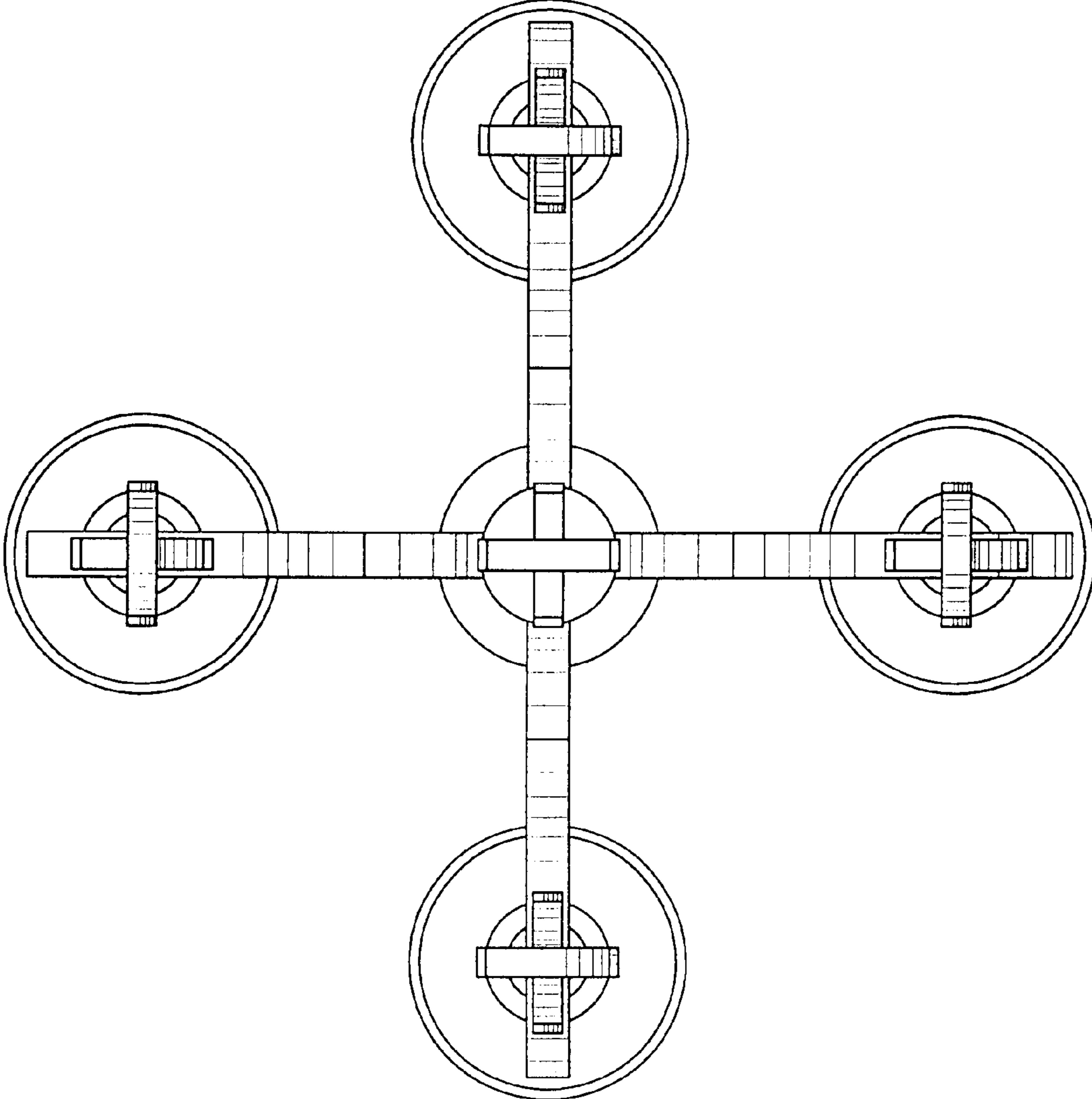


FIG. 4

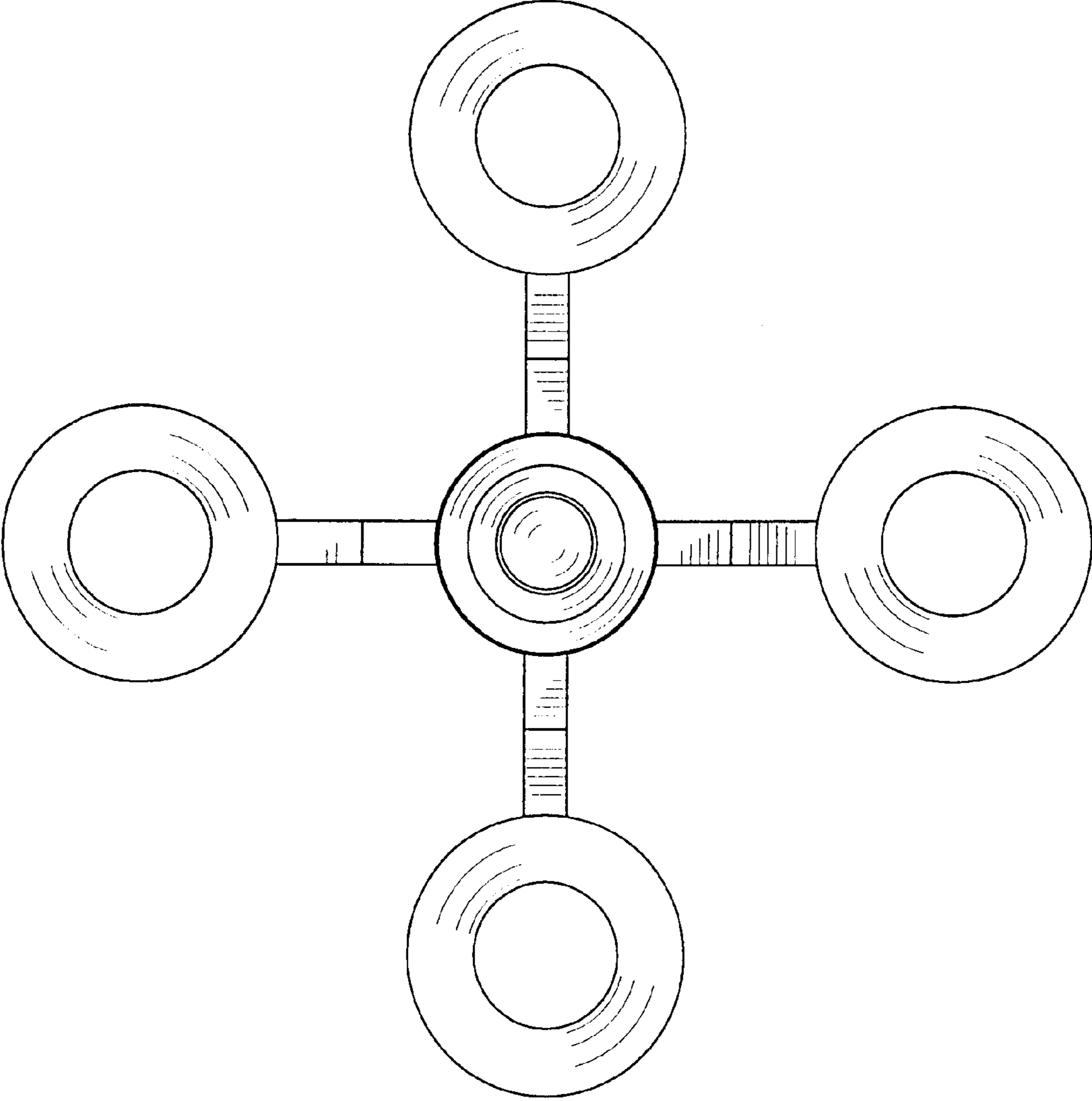


FIG. 5