



US00D518584S

(12) **United States Design Patent**
Chan

(10) **Patent No.:** **US D518,584 S**

(45) **Date of Patent:** **** Apr. 4, 2006**

(54) **TORCH WITH TABLE LAMP**

(75) Inventor: **Sik-Leung Chan**, New Territories (CN)

(73) Assignee: **C.C. & L Company Limited**, New Territories (CN)

(**) Term: **14 Years**

(21) Appl. No.: **29/220,754**

(22) Filed: **Jan. 5, 2005**

(30) **Foreign Application Priority Data**

Jul. 6, 2004 (HK) 0411462

(51) **LOC (8) Cl.** **26-02**

(52) **U.S. Cl.** **D26/37**

(58) **Field of Classification Search** D26/37-50;
362/157, 158, 171-174, 183-208

See application file for complete search history.

(56) **References Cited**

U.S. PATENT DOCUMENTS

D425,228 S * 5/2000 Kibler D26/46

D439,688 S * 3/2001 Suzuki D26/37

D475,149 S * 5/2003 Chun D26/37

D477,432 S * 7/2003 Parsons D26/37

D501,266 S * 1/2005 Harris et al. D26/37

D507,368 S * 7/2005 Waters D26/37

* cited by examiner

Primary Examiner—Marcus A. Jackson

(74) *Attorney, Agent, or Firm*—Alix, Yale & Ristas, LLP

(57) **CLAIM**

The ornamental design for a torch with table lamp, as shown and described.

DESCRIPTION

FIG. 1 is a front perspective view of a torch with table lamp showing my new design;

FIG. 2 is a front elevational view thereof;

FIG. 3 is a left side elevational view thereof;

FIG. 4 is a top plan view thereof;

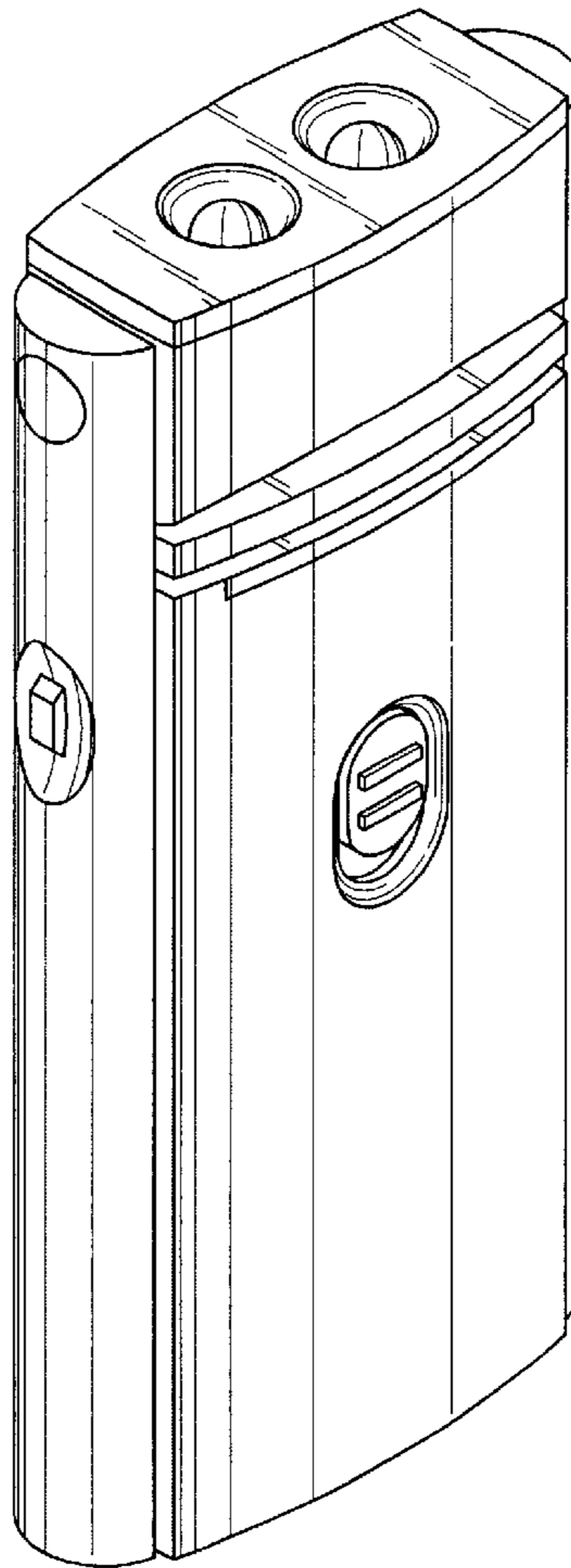
FIG. 5 is a right side elevational view thereof;

FIG. 6 is a rear elevational view thereof;

FIG. 7 is a bottom plan view thereof; and,

FIG. 8 is a left side view with parts in alternative position thereof.

1 Claim, 4 Drawing Sheets



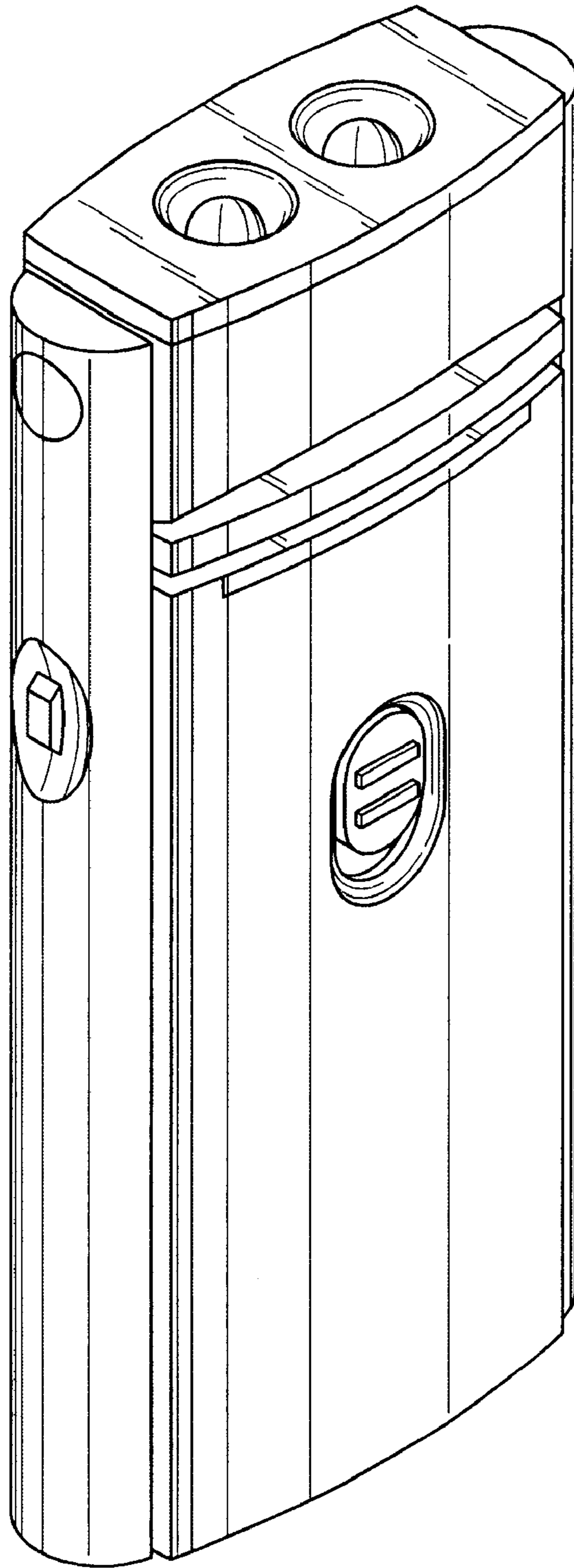


FIG. 1

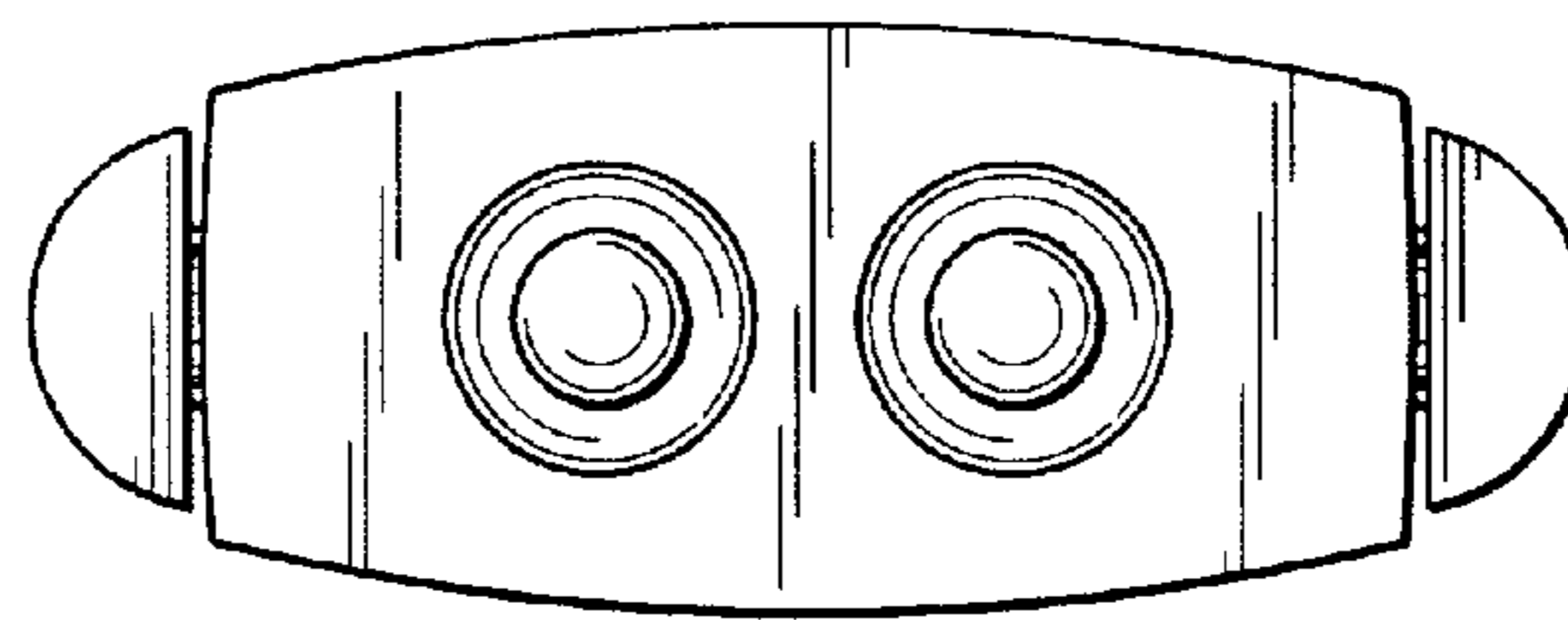


FIG. 4

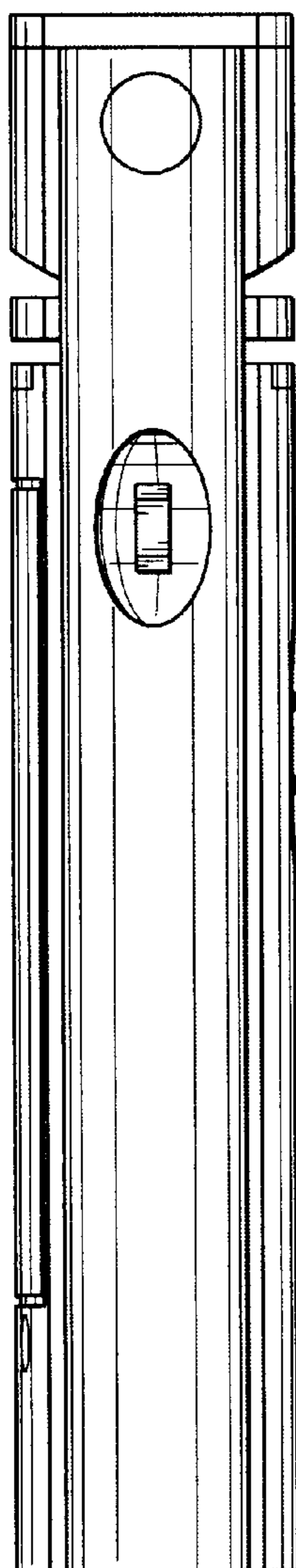


FIG. 3

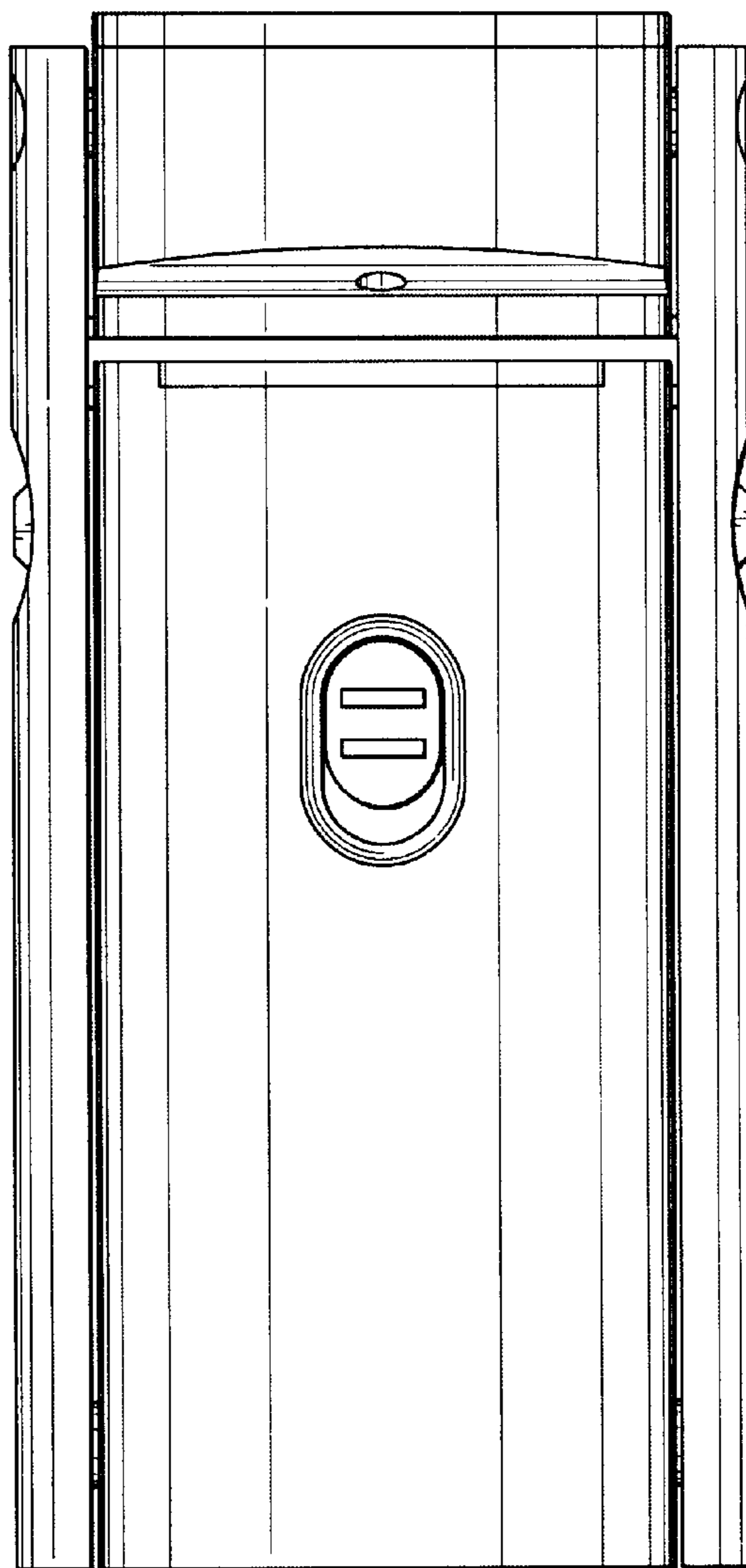


FIG. 2

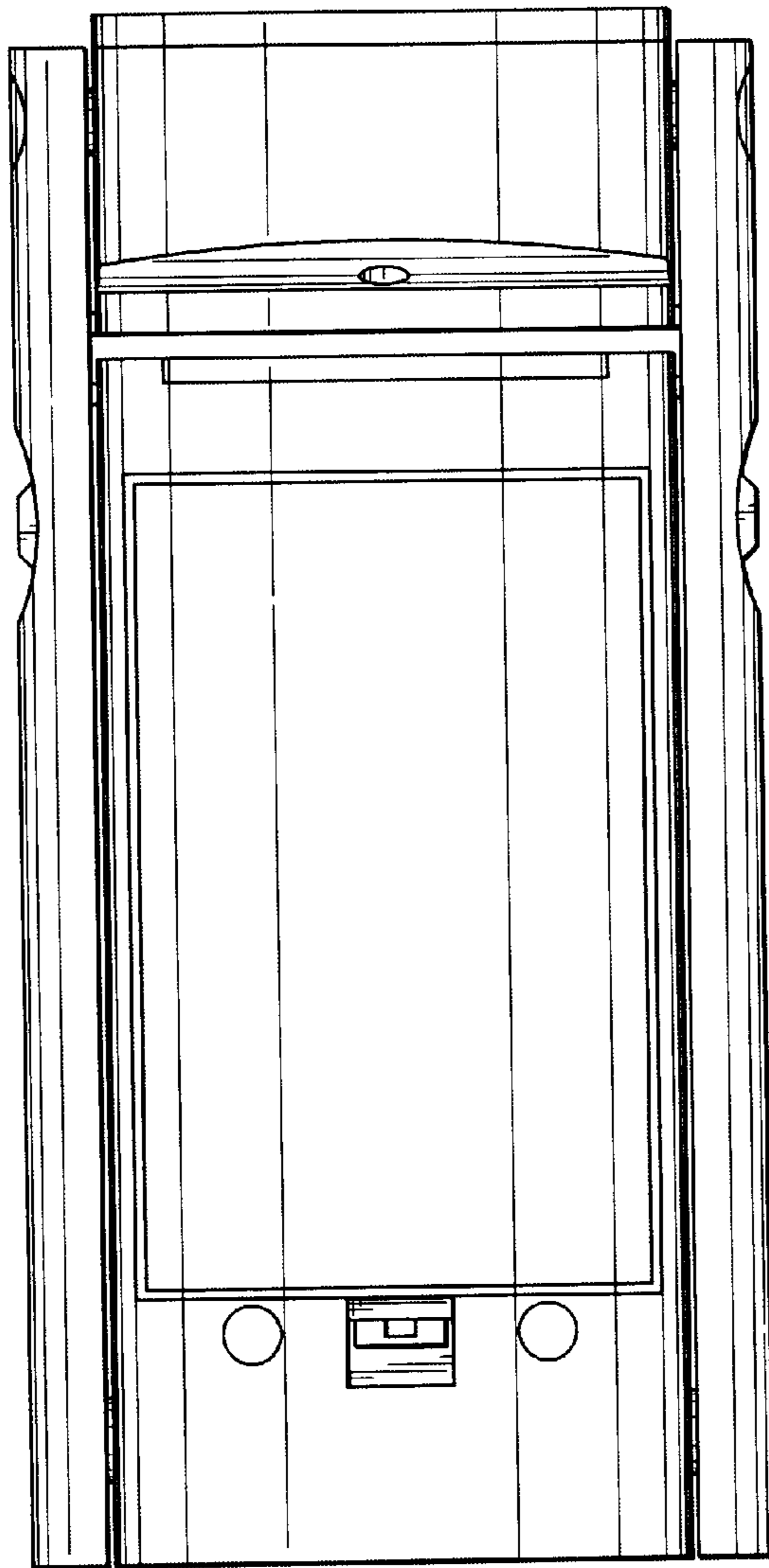


FIG. 6

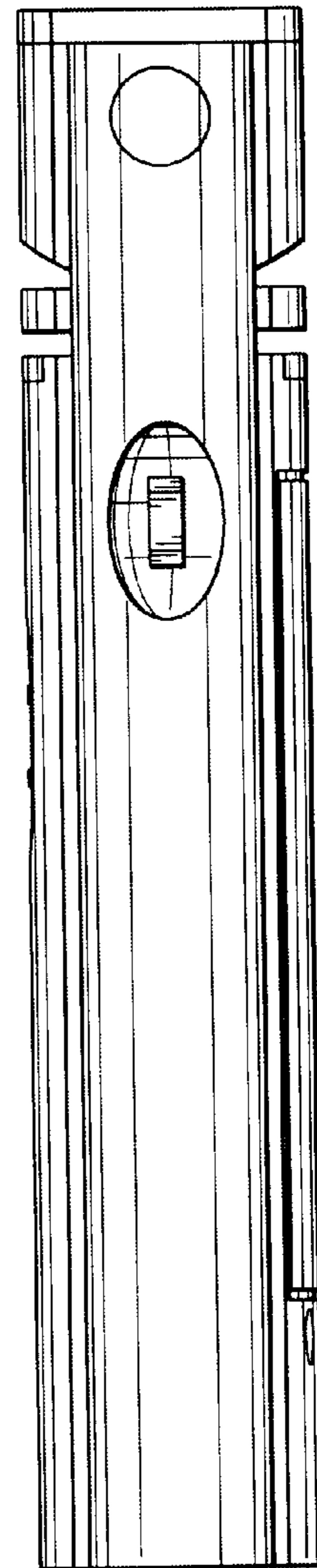


FIG. 5

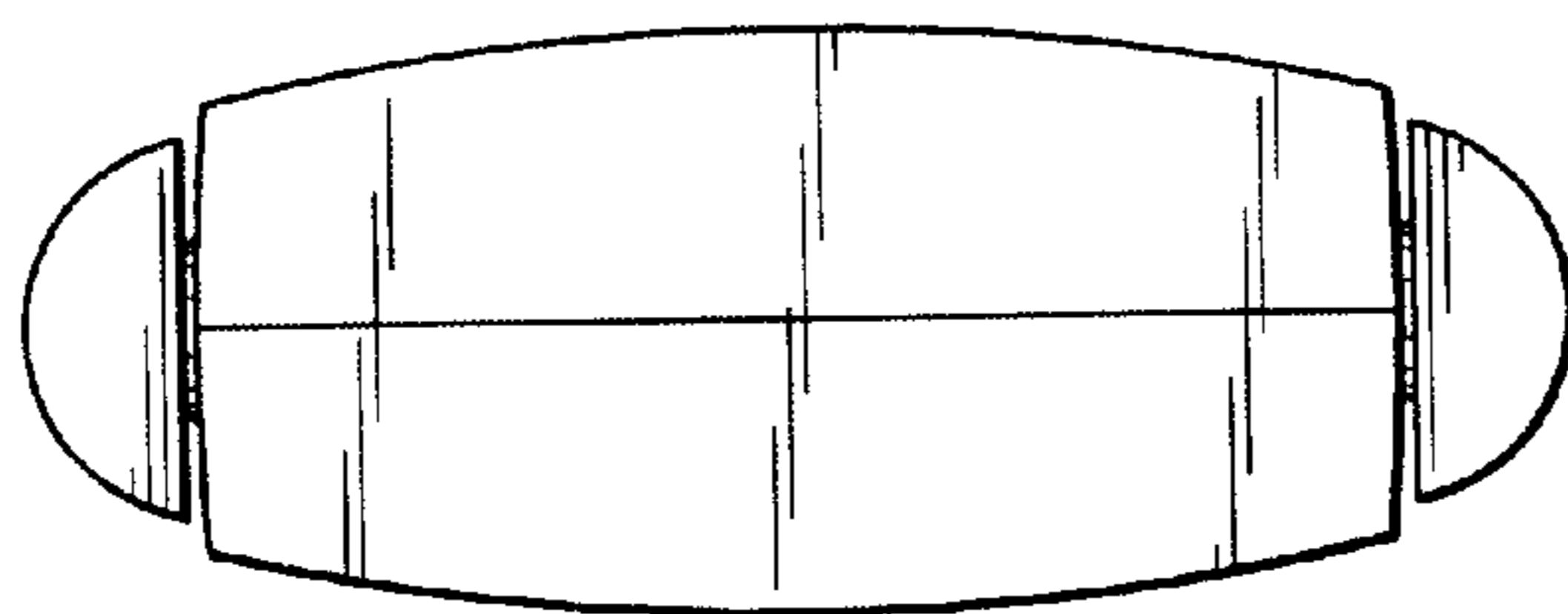


FIG. 7

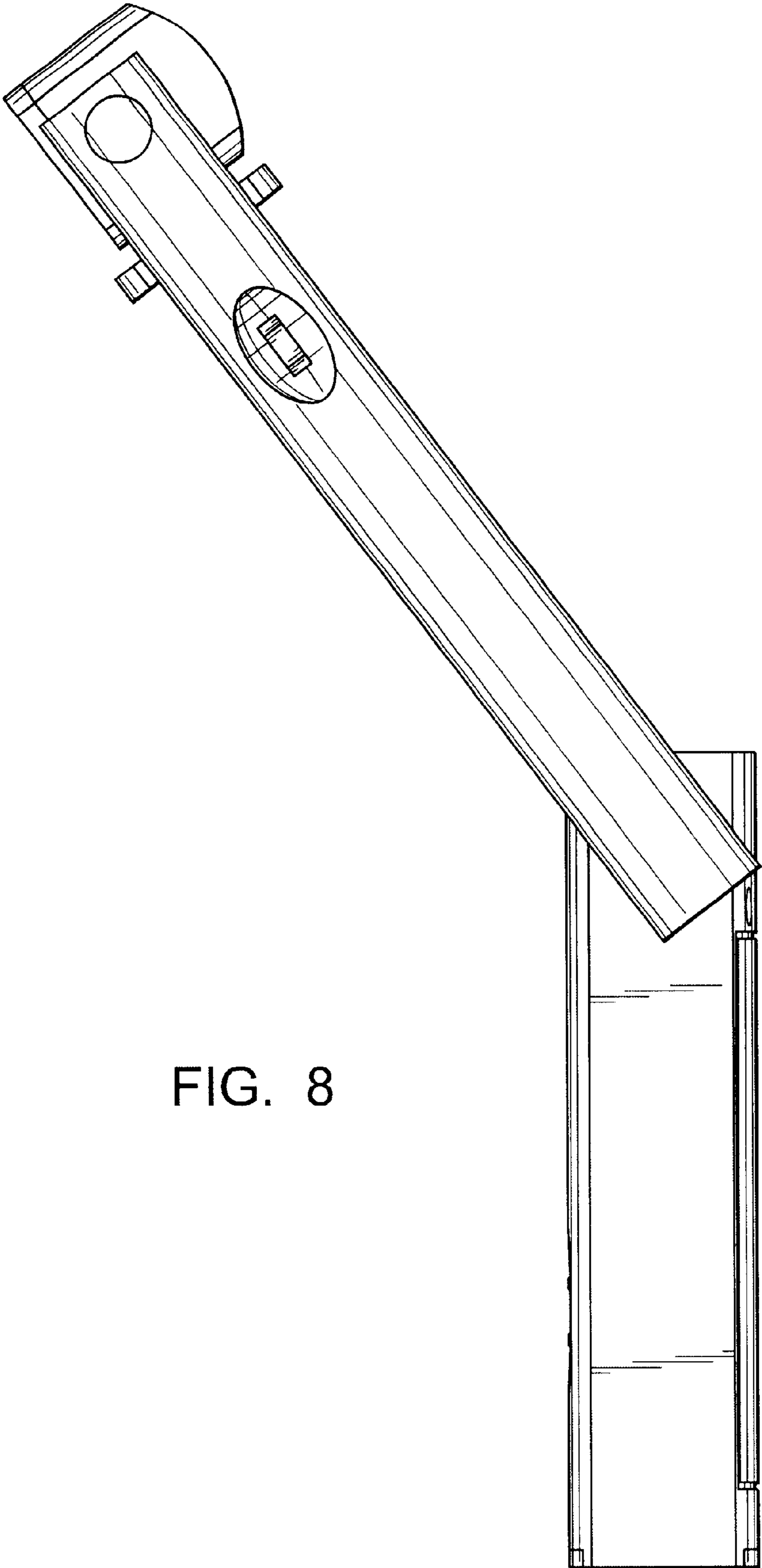


FIG. 8